

[54] BIRD CAGE

[76] Inventor: **Josef H. Voss**, 576 Arnsberg 1, Haus Dreizehneichen, Fed. Rep. of Germany

[\*\*] Term: **14 Years**

[21] Appl. No.: **970,436**

[22] Filed: **Dec. 18, 1978**

[30] Foreign Application Priority Data

Jul. 15, 1978 [DE] Fed. Rep. of Germany ..... 1596

[51] Int. Cl. .... **D30-02**

[52] U.S. Cl. .... **D30/4**

[58] Field of Search ..... **D30/1-5; 119/17**

[56] References Cited

U.S. PATENT DOCUMENTS

D. 67,602	6/1925	Lion .....	D30/4
D. 79,081	7/1929	Hoefler .....	D30/4
D. 103,881	3/1937	Miller .....	D30/4
D. 144,089	3/1946	Zaha et al. ....	D30/4
166,596	8/1875	Edwards .....	119/17
250,600	12/1881	Taft .....	119/17
309,338	12/1884	Drayton .....	119/17
2,864,335	12/1958	Yellin .....	119/17
3,683,857	8/1972	Yellin .....	119/17

3,785,343 1/1974 Baratta ..... 119/17

Primary Examiner—James R. Largen  
Attorney, Agent, or Firm—Michael J. Striker

[57] CLAIM

The ornamental design for a bird cage, substantially as shown and described.

DESCRIPTION

FIG. 1 is a front elevational view of a bird cage embodying my new design;

FIG. 2 is an elevational view taken from one end thereof;

FIG. 3 is a rear elevational view thereof, with a drawer of the cage shown in partly open position;

FIG. 4 is an elevational view taken from the end opposite that shown in FIG. 2;

FIG. 5 is a top plan view thereof;

FIG. 6 is a bottom plan view thereof;

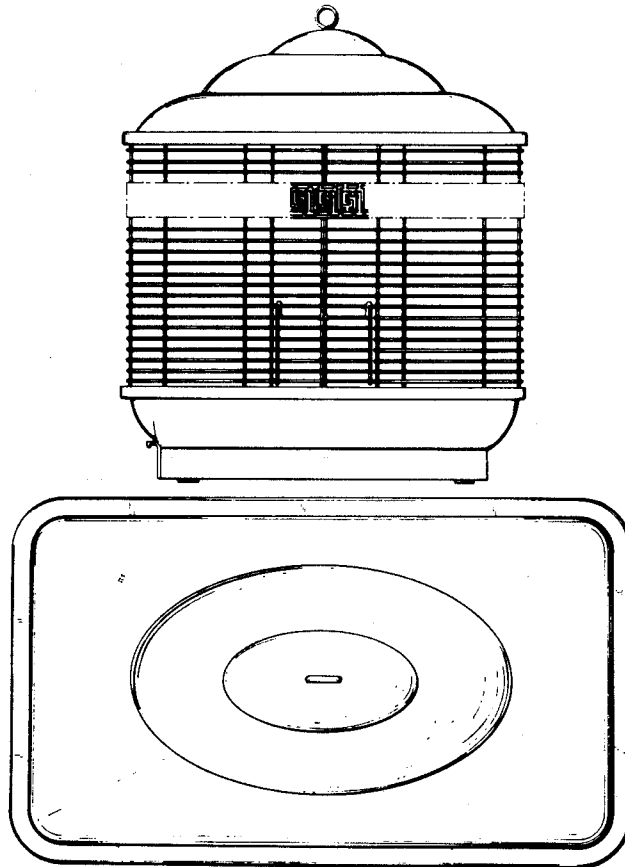
FIG. 7 is a front elevational view of a modified form of the bird cage shown in FIG. 1;

FIG. 8 is an elevational view taken from one end of FIG. 7;

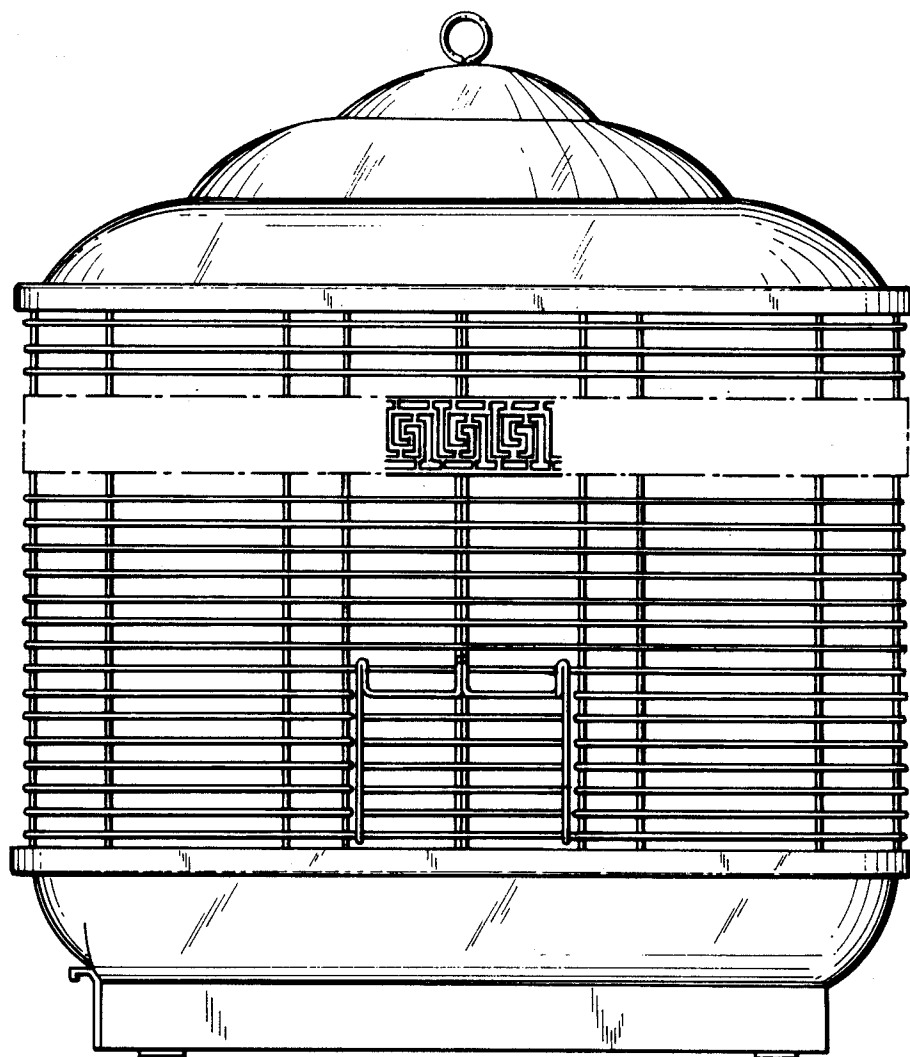
FIG. 9 is a rear elevational view of FIG. 7; and

FIG. 10 is an elevational view taken from the end opposite that shown in FIG. 8.

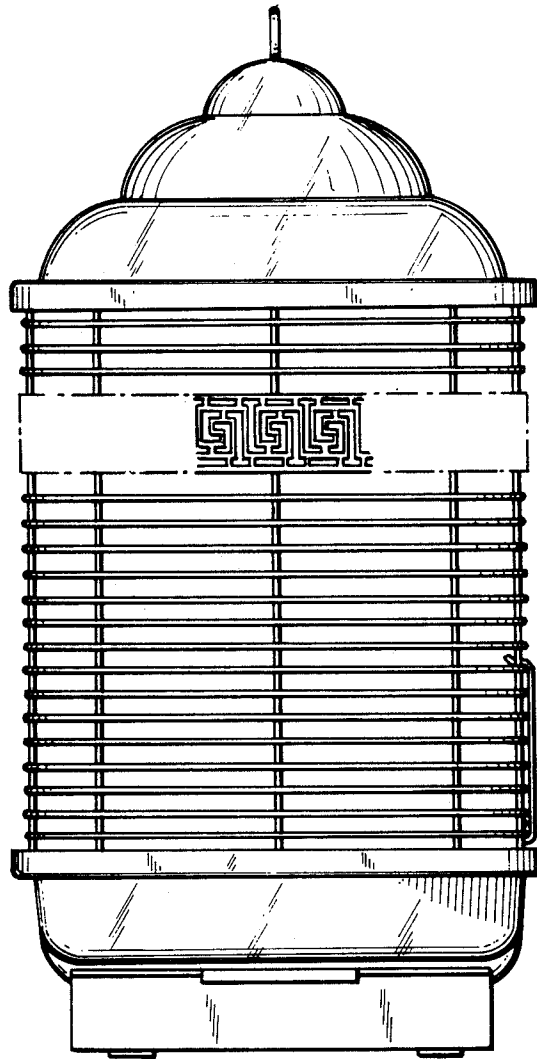
It is to be understood that the pattern is continuous throughout the area indicated in broken lines in FIGS. 1 through 4.



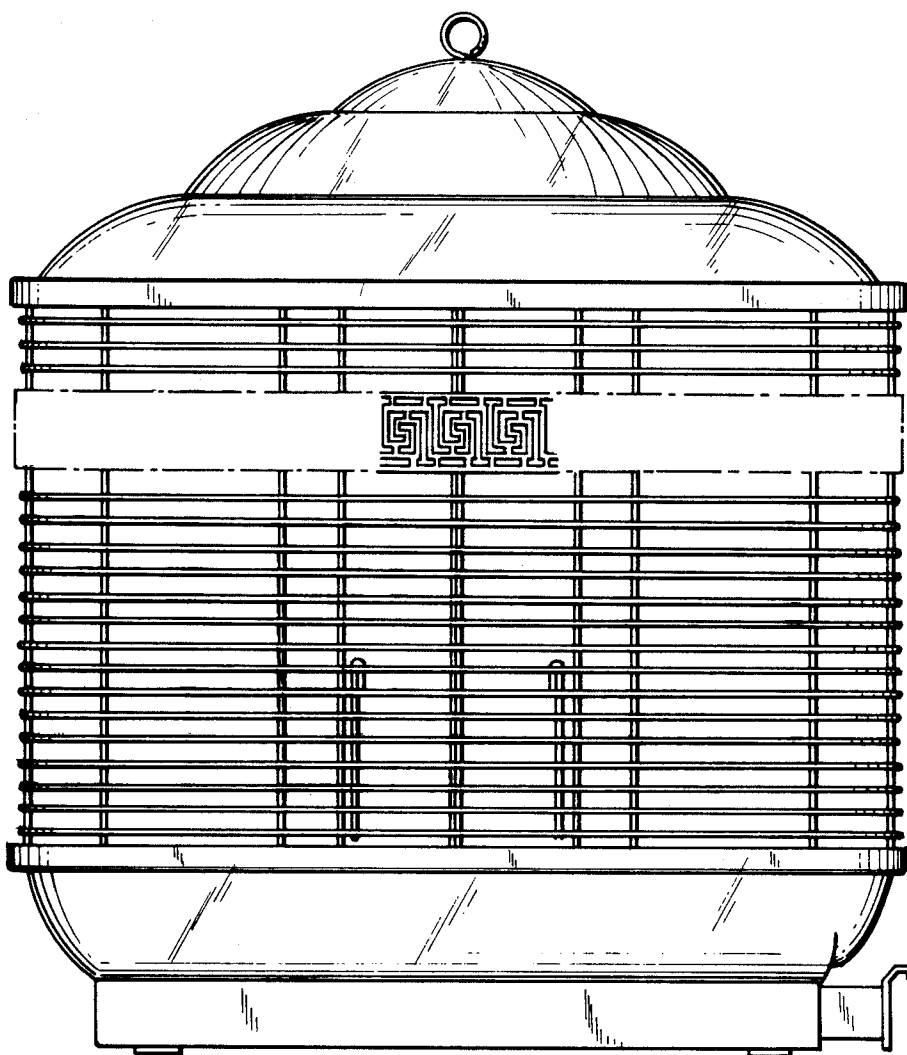
*FIG. 1*



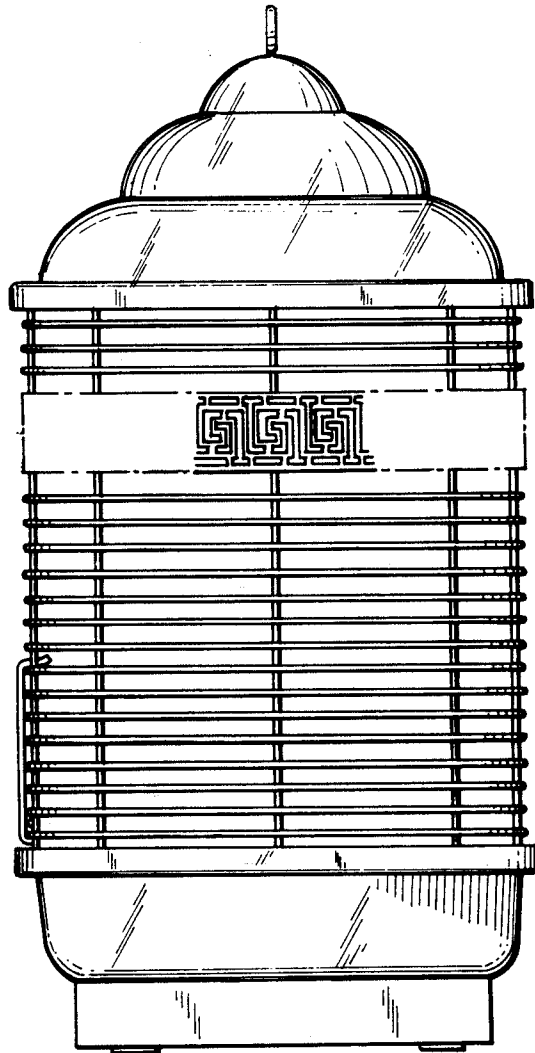
*FIG. 2*



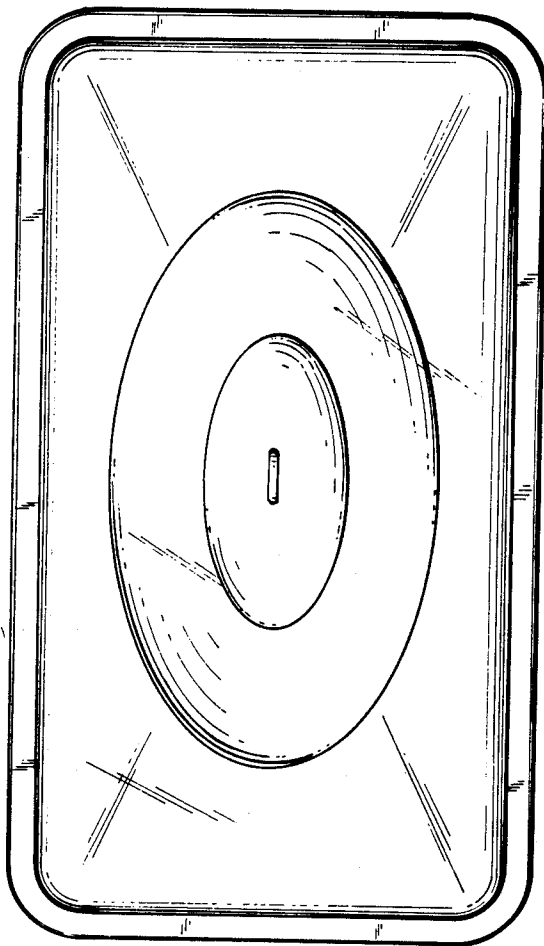
*FIG. 3*



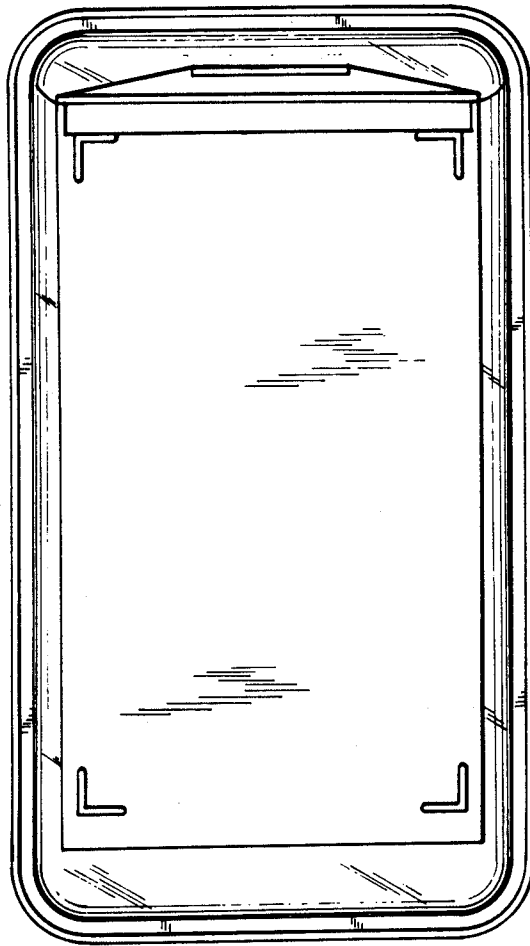
*FIG. 4*



*FIG. 5*



*FIG. 6*



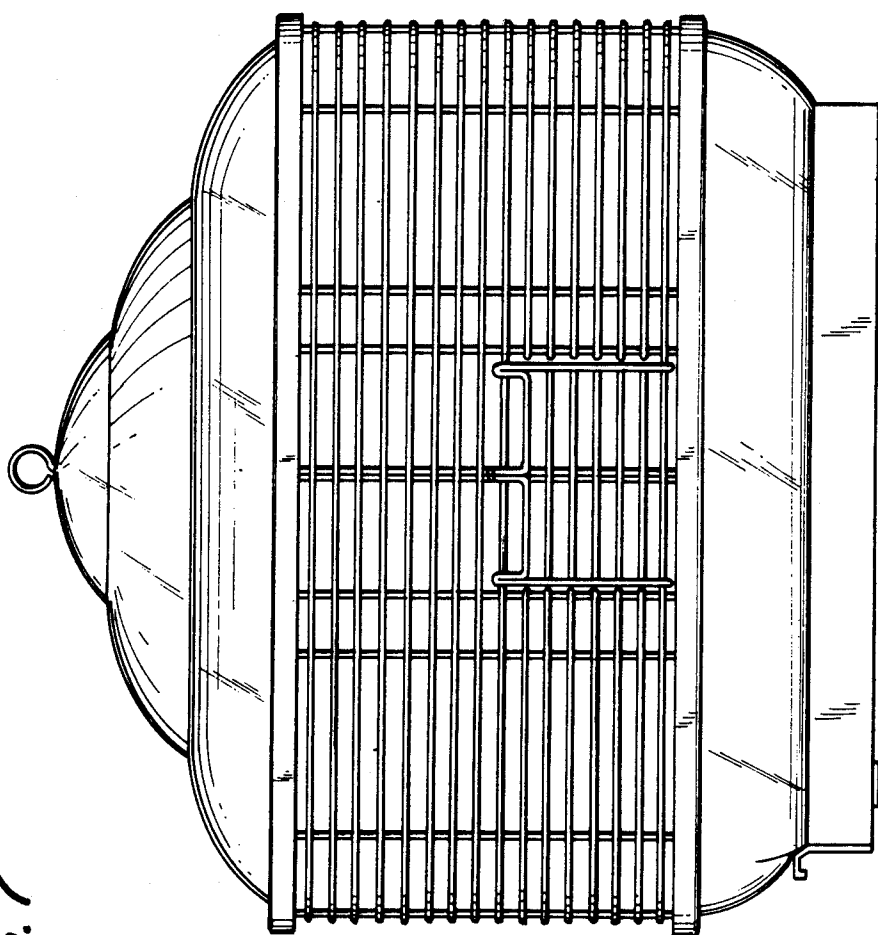
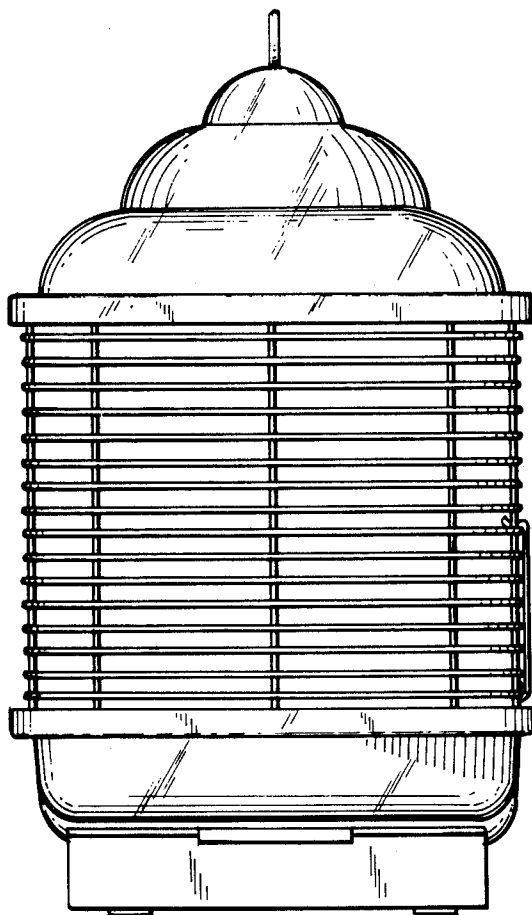


FIG. 7

*FIG. 8*



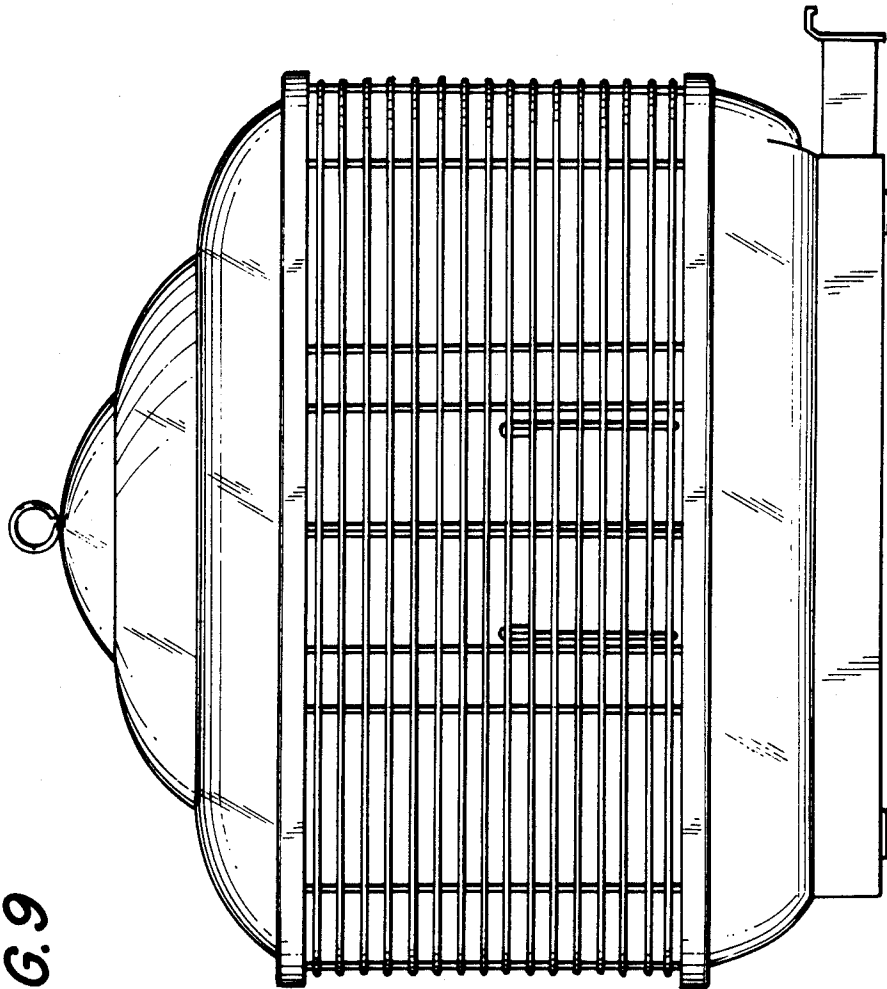


FIG. 9

*FIG. 10*

