



- (51) International Patent Classification:
H01Q 1/32 (2006.01) *B60R 11/04* (2006.01)
- (21) International Application Number:
PCT/US2015/027282
- (22) International Filing Date:
23 April 2015 (23.04.2015)
- (25) Filing Language: English
- (26) Publication Language: English
- (30) Priority Data:
61/983,713 24 April 2014 (24.04.2014) US
- (71) Applicant: **GENTEX CORPORATION** [US/US]; 600 North Centennial Street, Zeeland, Michigan 49464 (US).
- (72) Inventors: **MINIKEY, Danny L., Jr.**; 600 North Centennial Street, Zeeland, Michigan 49464 (US). **FISH, Richard T., Jr.**; 600 North Centennial Street, Zeeland, Michigan 49464 (US). **ROTH, Mark R.**; 600 North Centennial Street, Zeeland, Michigan 49464 (US).
- (74) Agent: **CALLAGHAN, Terry S.**; Price Heneveld LLP, 695 Kenmoor, S.E., P.O. Box 2567, Grand Rapids, Michigan 49501-2567 (US).

- (81) Designated States (*unless otherwise indicated, for every kind of national protection available*): AE, AG, AL, AM, AO, AT, AU, AZ, BA, BB, BG, BH, BN, BR, BW, BY, BZ, CA, CH, CL, CN, CO, CR, CU, CZ, DE, DK, DM, DO, DZ, EC, EE, EG, ES, FI, GB, GD, GE, GH, GM, GT, HN, HR, HU, ID, IL, IN, IR, IS, JP, KE, KG, KN, KP, KR, KZ, LA, LC, LK, LR, LS, LU, LY, MA, MD, ME, MG, MK, MN, MW, MX, MY, MZ, NA, NG, NI, NO, NZ, OM, PA, PE, PG, PH, PL, PT, QA, RO, RS, RU, RW, SA, SC, SD, SE, SG, SK, SL, SM, ST, SV, SY, TH, TJ, TM, TN, TR, TT, TZ, UA, UG, US, UZ, VC, VN, ZA, ZM, ZW.
- (84) Designated States (*unless otherwise indicated, for every kind of regional protection available*): ARIPO (BW, GH, GM, KE, LR, LS, MW, MZ, NA, RW, SD, SL, ST, SZ, TZ, UG, ZM, ZW), Eurasian (AM, AZ, BY, KG, KZ, RU, TJ, TM), European (AL, AT, BE, BG, CH, CY, CZ, DE, DK, EE, ES, FI, FR, GB, GR, HR, HU, IE, IS, IT, LT, LU, LV, MC, MK, MT, NL, NO, PL, PT, RO, RS, SE, SI, SK, SM, TR), OAPI (BF, BJ, CF, CG, CI, CM, GA, GN, GQ, GW, KM, ML, MR, NE, SN, TD, TG).

Declarations under Rule 4.17:

— *as to applicant's entitlement to apply for and be granted a patent (Rule 4.17(ii))*

[Continued on next page]

(54) Title: ROOF MOUNTED IMAGER MODULE

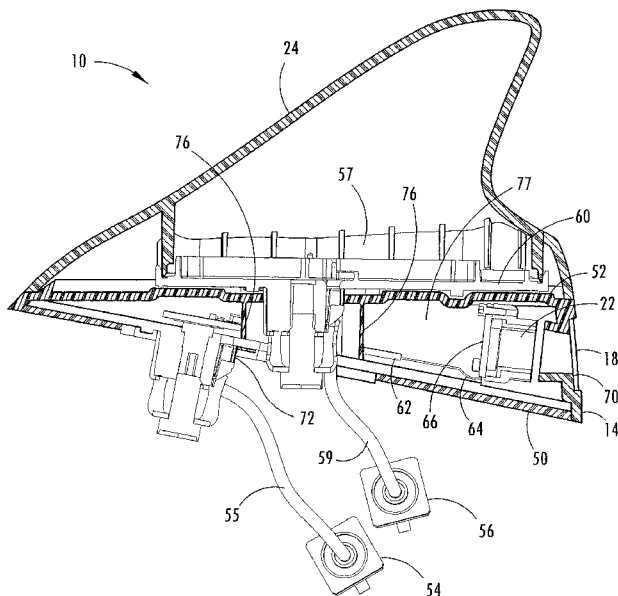


FIG. 7

(57) Abstract: A roof mounted module for a vehicle includes an imager housing in secure engagement with a roof of the vehicle. The imager housing defines a lateral aperture and a vertical aperture. An imager is disposed in the imager housing and is in communication with the lateral aperture. An antenna housing is removably coupled to the imager housing and is in communication with the vehicle via a data connection that extends through the vertical aperture.





— *as to the applicant's entitlement to claim the priority of the earlier application (Rule 4.17(iii))* — *before the expiration of the time limit for amending the claims and to be republished in the event of receipt of amendments (Rule 48.2(h))*

Published:

— *with international search report (Art. 21(3))*

(88) Date of publication of the international search report:

22 December 2016

INTERNATIONAL SEARCH REPORT

International application No.

PCT/US 2015/027282

A. CLASSIFICATION OF SUBJECT MATTER		<p style="text-align: center;">H01Q 1/32 (2006.01) B60R 11/04 (2006.01)</p> <p>According to International Patent Classification (IPC) or to both national classification and IPC</p>	
B. FIELDS SEARCHED			
Minimum documentation searched (classification system followed by classification symbols)			
B60R 1/00, 11/04, H01Q 1/42, 1/32, 1/22, H04N 7/18			
Documentation searched other than minimum documentation to the extent that such documents are included in the fields searched			
Electronic data base consulted during the international search (name of data base and, where practicable, search terms used)			
PatSearch (RUPTO internal), USPTO, PAJ, Esp@cenet, DWPI, EAPATIS, PATENTSCOPE			
C. DOCUMENTS CONSIDERED TO BE RELEVANT			
Category*	Citation of document, with indication, where appropriate, of the relevant passages		Relevant to claim No.
Y	US 2012/0327234 A1 (RICHARD T. FISH JR. et al.) 27.12.2012, [0055]-[0056], [0060]-[0061], [0064]-[0065], fig. 1-8, 12, 17-22		1-5, 8-10
A			13-17
Y	KR 101343814 B1 (KWANG SUNG ELECTRONICS KOREA CO., LTD) 20.12.2013, [0024]-[0028], claim 1, fig. 1, 3, 6		1-5, 8-10
A	KR 101134305 B1 (KIM JUN SOO) 09.04.2012		1-5, 8-10, 13-17
A	KR 100909368 B1 (PARK YOUNG HAN) 20.07.2009		1-5, 8-10, 13-17
<input type="checkbox"/> Further documents are listed in the continuation of Box C. <input type="checkbox"/> See patent family annex.			
* Special categories of cited documents:		"T" later document published after the international filing date or priority date and not in conflict with the application but cited to understand the principle or theory underlying the invention "X" document of particular relevance; the claimed invention cannot be considered novel or cannot be considered to involve an inventive step when the document is taken alone "Y" document of particular relevance; the claimed invention cannot be considered to involve an inventive step when the document is combined with one or more other such documents, such combination being obvious to a person skilled in the art "&" document member of the same patent family	
"A"	document defining the general state of the art which is not considered to be of particular relevance		
"E"	earlier document but published on or after the international filing date		
"L"	document which may throw doubts on priority claim(s) or which is cited to establish the publication date of another citation or other special reason (as specified)		
"O"	document referring to an oral disclosure, use, exhibition or other means		
"P"	document published prior to the international filing date but later than the priority date claimed		
Date of the actual completion of the international search		Date of mailing of the international search report	
02 November 2016 (02.11.2016)		17 November 2016 (17.11.2016)	
Name and mailing address of the ISA/RU: Federal Institute of Industrial Property, Berezhkovskaya nab., 30-1, Moscow, G-59, GSP-3, Russia, 125993 Facsimile No: (8-495) 531-63-18, (8-499) 243-33-37		Authorized officer D. Mishin Telephone No. 8-499-240-25-91	

Box No. II Observations where certain claims were found unsearchable (Continuation of item 2 of first sheet)

This international search report has not been established in respect of certain claims under Article 17(2)(a) for the following reasons:

1. Claims Nos.:
because they relate to subject matter not required to be searched by this Authority, namely:

2. Claims Nos.:
because they relate to parts of the international application that do not comply with the prescribed requirements to such an extent that no meaningful international search can be carried out, specifically:

3. Claims Nos.: 6, 7, 11, 12, 18, 19
because they are dependent claims and are not drafted in accordance with the second and third sentences of Rule 6.4(a).

Box No. III Observations where unity of invention is lacking (Continuation of item 3 of first sheet)

This International Searching Authority found multiple inventions in this international application, as follows:

1. As all required additional search fees were timely paid by the applicant, this international search report covers all searchable claims.
2. As all searchable claims could be searched without effort justifying additional fees, this Authority did not invite payment of additional fees.
3. As only some of the required additional search fees were timely paid by the applicant, this international search report covers only those claims for which fees were paid, specifically claims Nos.:
4. No required additional search fees were timely paid by the applicant. Consequently, this international search report is restricted to the invention first mentioned in the claims; it is covered by claims Nos.:

Remark on Protest

- The additional search fees were accompanied by the applicant's protest and, where applicable, the payment of a protest fee.
- The additional search fees were accompanied by the applicant's protest but the applicable protest fee was not paid within the time limit specified in the invitation.
- No protest accompanied the payment of additional search fees.