



US00D579239S

(12) **United States Design Patent**
Massaud

(10) **Patent No.:** **US D579,239 S**

(45) **Date of Patent:** **** Oct. 28, 2008**

(54) **TABLE**

(75) Inventor: **Jean-Marie Massaud**, Paris (FR)

(73) Assignee: **Arper S.p.A.**, Monastier di Treviso (IT)

(**) Term: **14 Years**

(21) Appl. No.: **29/267,466**

(22) Filed: **Oct. 16, 2006**

(30) **Foreign Application Priority Data**

Apr. 21, 2006 (EM) 000517206

(51) **LOC (8) Cl.** **06-03**

(52) **U.S. Cl.** **D6/486**

(58) **Field of Classification Search** D6/480-489,
D6/495-499, 349, 429-431; 108/150, 152,
108/153.1, 156, 161, 157.1, 69, 70, 77
See application file for complete search history.

(56) **References Cited**

U.S. PATENT DOCUMENTS

- 2,576,287 A * 11/1951 English 108/78
- 3,347,509 A * 10/1967 Blink et al. 248/188.7
- 3,994,461 A * 11/1976 Dorantes 248/188.7

- D290,318 S * 6/1987 Berry, Jr. D6/486
- D326,572 S * 6/1992 Mackie D6/451
- D386,022 S * 11/1997 Bennett D6/486
- D466,727 S * 12/2002 Abboud et al. D6/486
- D495,173 S * 8/2004 Heisey et al. D6/511

* cited by examiner

Primary Examiner—Janice E Seeger

(74) *Attorney, Agent, or Firm*—Scully, Scott, Murphy & Presser, P.C.

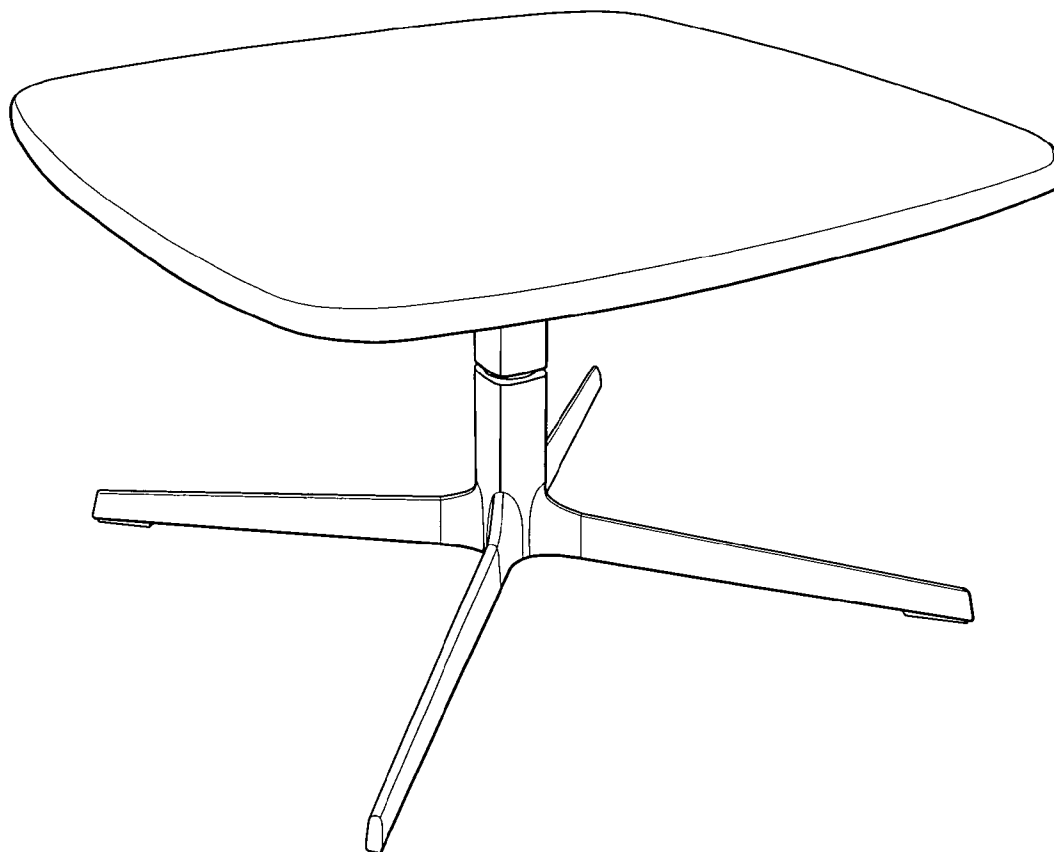
(57) **CLAIM**

The ornamental design for a “table”, as shown and described.

DESCRIPTION

- FIG. 1 is a perspective view, showing my new design;
- FIG. 2 is a front view thereof;
- FIG. 3 is a rear view thereof;
- FIG. 4 is a plan view from above thereof;
- FIG. 5 is a plan view from below thereof;
- FIG. 6 is a left side view thereof; and,
- FIG. 7 is a right side view thereof.

1 Claim, 7 Drawing Sheets



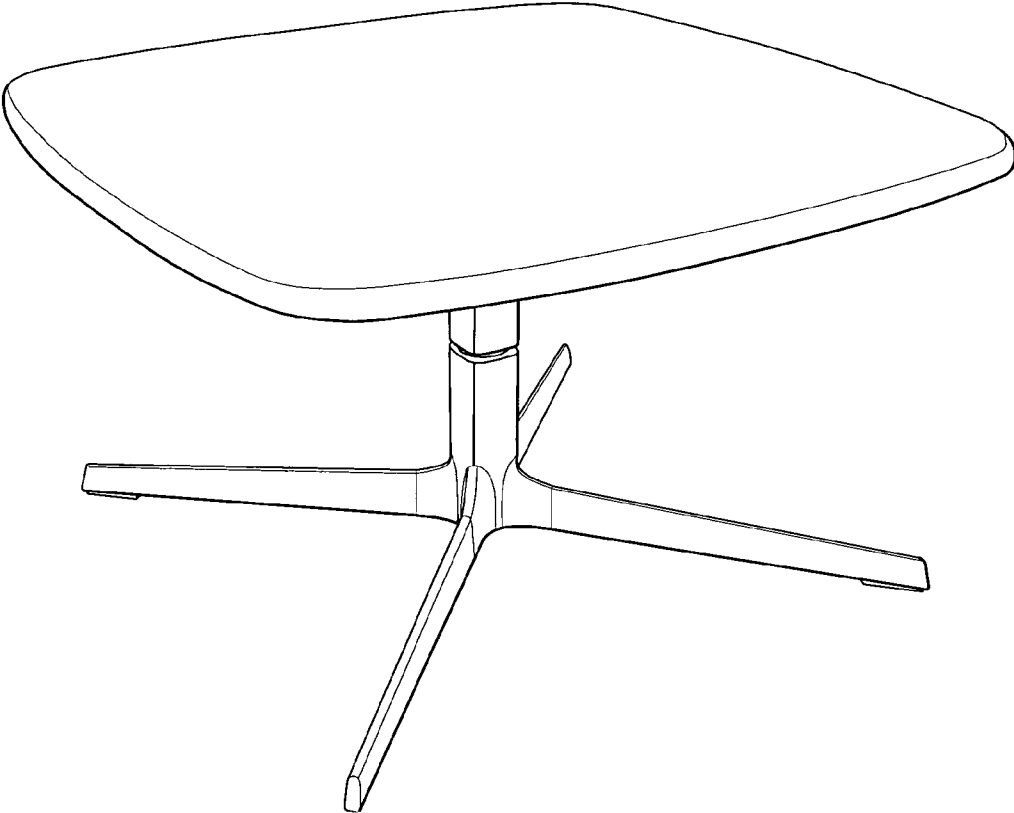


Fig. 1

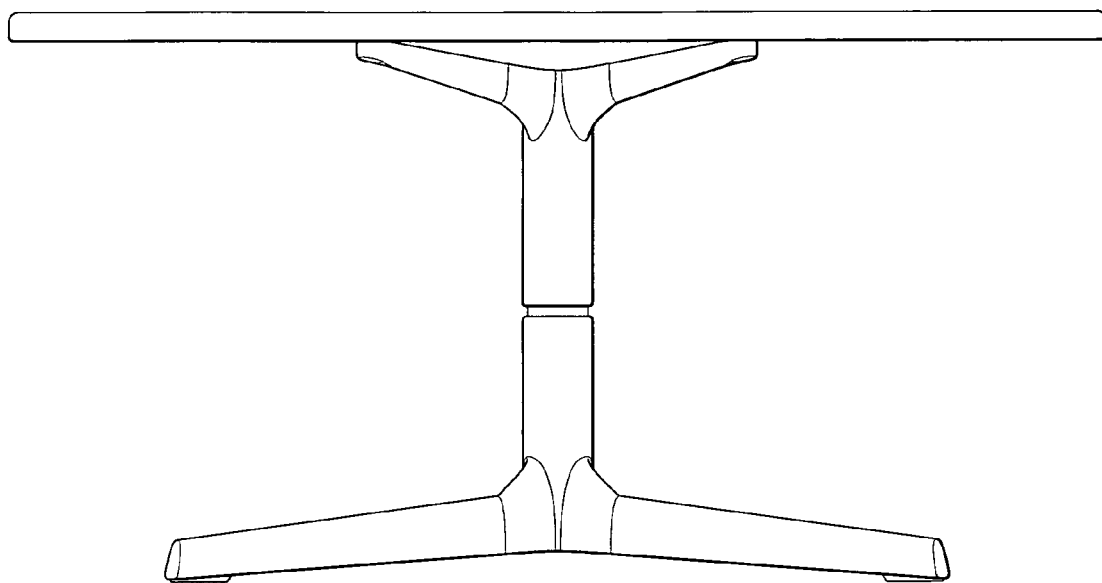


Fig. 2

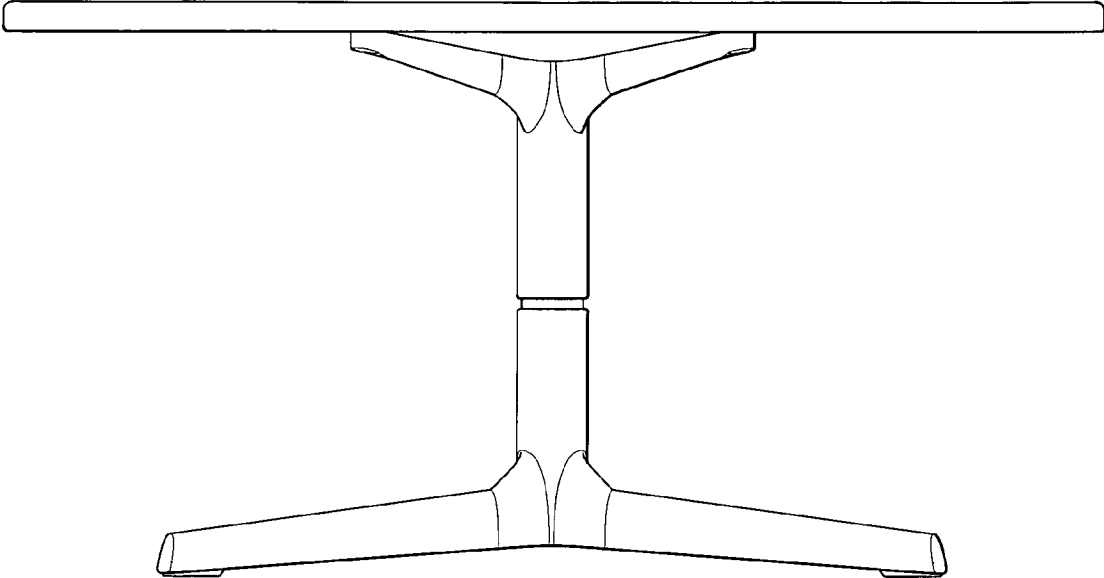


Fig. 3

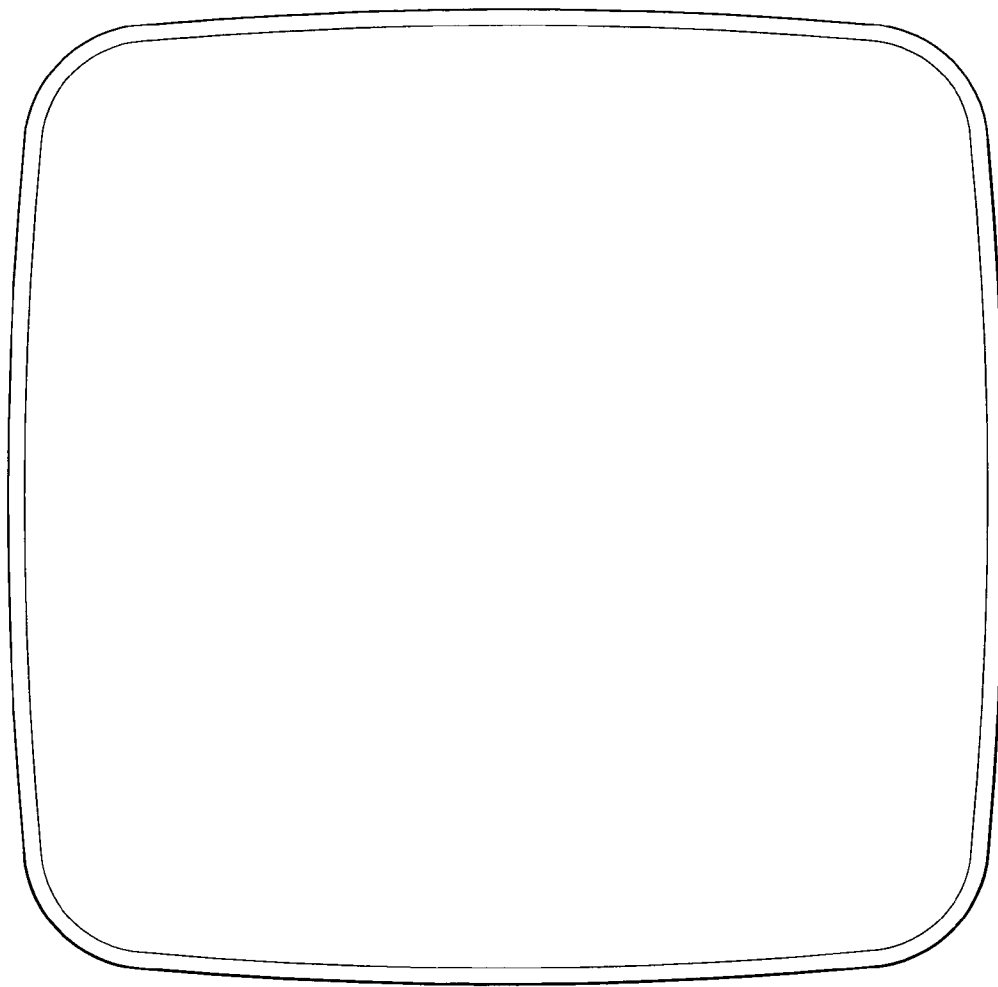


Fig. 4

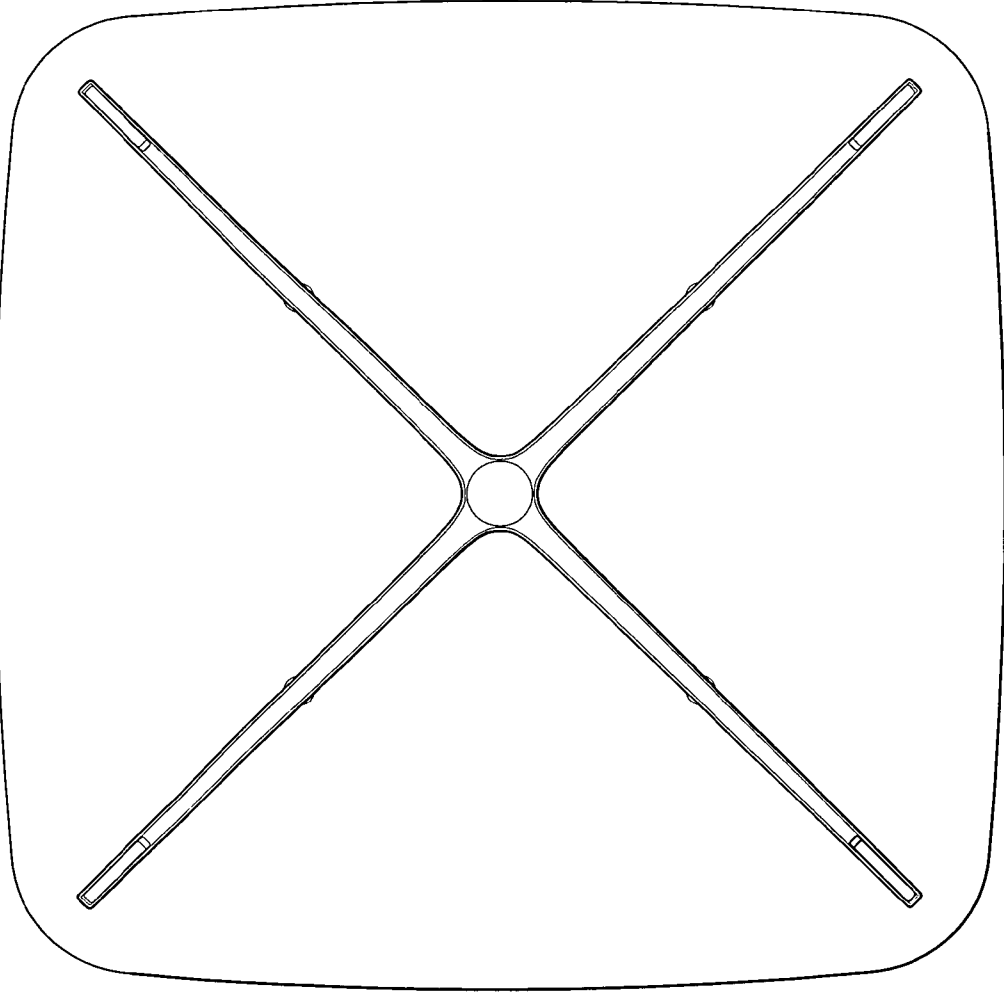


Fig. 5

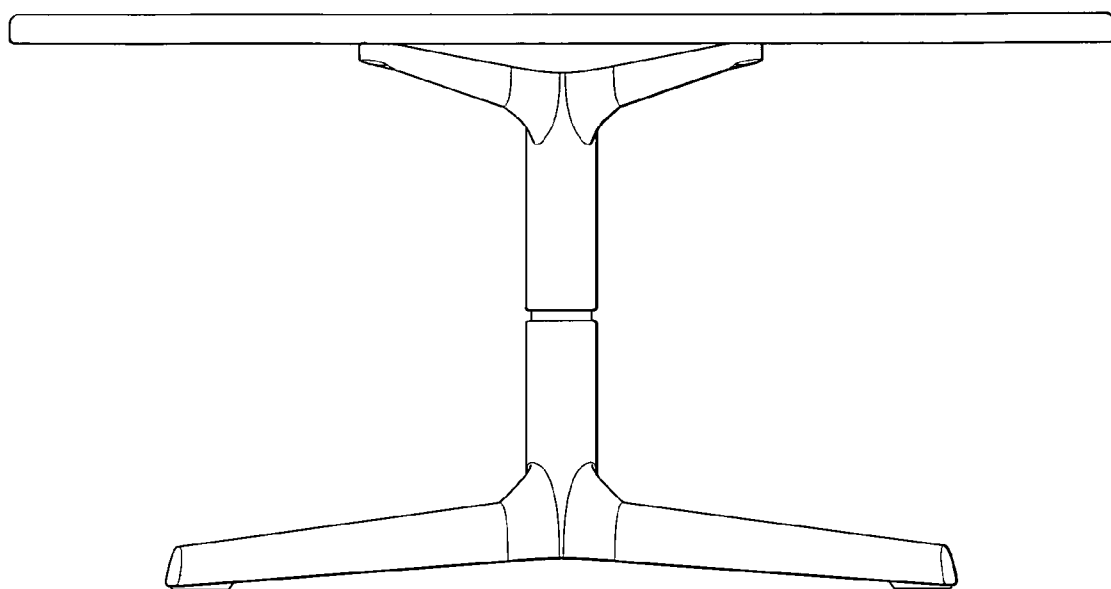


Fig. 6

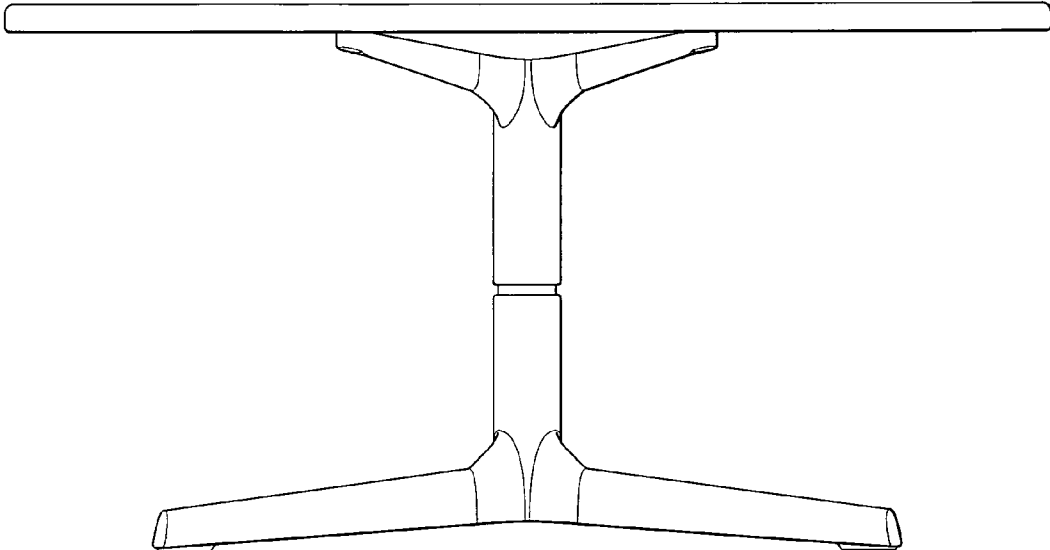


Fig. 7