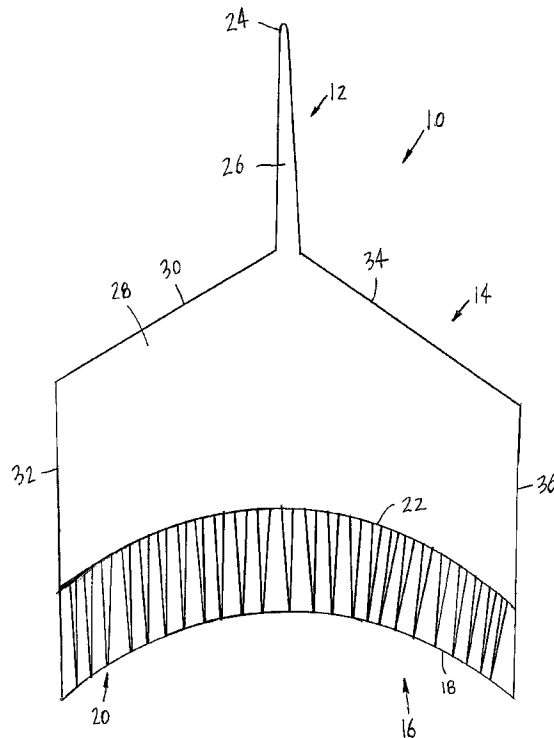




(22) Date de dépôt/Filing Date: 2017/08/01
(41) Mise à la disp. pub./Open to Public Insp.: 2018/02/02
(45) Date de délivrance/Issue Date: 2020/10/06
(30) Priorité/Priority: 2016/08/02 (US15226813)

(51) Cl.Int./Int.Cl. *A45D 19/00* (2006.01),
A45D 24/16 (2006.01), *A46B 15/00* (2006.01),
A46B 5/02 (2006.01), *A46B 9/02* (2006.01)
(72) Inventeur/Inventor:
RICHARDSON, JACKIE, US
(73) Propriétaire/Owner:
RICHARDSON, JACKIE, US
(74) Agent: GELSING, SANDER R.

(54) Titre : BROSSE DE COLORATION POUR CHEVEUX ET SYSTEME
(54) Title: HAIR COLORING BRUSH AND SYSTEM



(57) **Abrégé/Abstract:**

A hair coloring brush is disclosed having a central base portion, a pick handle extending from the central base portion, and a plurality of bristles extending out from the central base portion, the bristles each have an end portion with the end portions forming a curved surface.

Abstract of the Disclosure

A hair coloring brush is disclosed having a central base portion, a pick handle extending from the central base portion, and a plurality of bristles extending out from the central base portion, the bristles each have an end portion with the end portions forming a curved surface.

HAIR COLORING BRUSH AND SYSTEM

BACKGROUND OF THE DISCLOSURE

[0001] This disclosure relates to a hair brush and more particularly to a hair coloring brush and a hair coloring brush system.

[0002] Hair coloring is a complex technique in which a color dye is applied to hair to change, cover, or enhance the natural color of hair. A color dye is made by mixing various colors and chemicals in a receptacle to obtain a desired color to be applied to hair. Once the desired color is obtained the color is slowly and laboriously applied to sections of hair by a brush. As can be appreciated, this is a time consuming process which may take up to forty-five minutes or more before the color is properly applied in a desired amount. Compounding this problem is the fact that the brushes being used to apply the color are small and only cover a portion of a section of hair to be dyed. Multiple strokes or passes are required to dye a section of hair. This adds to the time and energy required to dye hair. Also, if a colorist is being used then the amount charged by the colorist is increased due to the increased time required to apply dye to hair. It is also known that the receptacle or bowl in which dye and other chemicals are mixed is not large and only a small batch of dye may be mixed at a time. In view of this, if the amount of dye is underestimated then another batch may have to be mixed. Again, this adds to the time and expense of dyeing hair.

[0003] The present hair coloring brush is designed to obviate and overcome many of the disadvantages and shortcomings associated with prior hair coloring brushes. Further, the present hair coloring brush provides increased surface area for applying dye to a larger area or section of hair. Moreover, the present hair coloring brush system provides a hair

brush having a brush surface area for applying a color dye and a receptacle for holding a color dye.

SUMMARY OF THE DISCLOSURE

[0004] In one form of the present disclosure, a hair coloring brush is disclosed which comprises a central base portion, a pick handle extending from the central base portion, and a plurality of bristles extending out from the central base portion, the bristles each have an end portion with the end portions forming a curved surface.

[0005] In another form of the present disclosure, a hair coloring brush comprises a central base portion having a front side having an indentation formed in the front side with the indentation having a curved end, a pick handle extending from the central base portion, and a plurality of bristles extending out from the central base portion, the bristles each have an end portion with the end portions forming a curved surface.

[0006] In yet another form of the present disclosure, a hair coloring brush system is disclosed which comprises a central base portion, a pick handle extending from the central base portion, a plurality of bristles extending out from the central base portion, the bristles each have an end portion with the end portions forming a curved surface, and a bowl for holding a quantity of dye and having a basin for receiving the bristles and the central base portion.

[0007] In light of the foregoing comments, it will be recognized that the present disclosure provides a hair coloring brush that is of simple construction and design and which can be easily employed with highly reliable results.

[0008] The present disclosure also provides a hair coloring brush that employs lightweight structures or components to allow an operator to use the brush for extended periods of time without fatigue.

[0009] The present disclosure further provides a hair coloring brush that allows for dye to be applied to hair quickly.

[0010] The present disclosure is also directed to a hair coloring brush that allows dye to be applied to a large section of hair to reduce the time required for applying dye.

[0011] The present disclosure provides a hair coloring brush that conforms to the shape of a head for applying dye quickly to hair.

[0012] The present disclosure is directed to a hair coloring brush that is easy to grasp and manipulate during use.

[0013] The present disclosure is further directed to a hair coloring brush system that provides for a large section of hair to be colored in a short amount of time.

[0014] These and other objects and advantages of the present disclosure will become apparent after considering the following detailed specification in conjunction with the accompanying drawings, wherein

BRIEF DESCRIPTION OF THE DRAWINGS

[0015] FIG. 1 is a front perspective view of a hair coloring brush constructed according to the present disclosure;

[0016] FIG. 2 is a back perspective view of the hair coloring brush shown in FIG. 1 constructed according to the present disclosure;

[0017] FIG. 3 is a front perspective view of another embodiment of a hair coloring brush constructed according to the present disclosure;

[0018] FIG. 4 is a back perspective view of the hair coloring brush shown in FIG. 3 constructed according to the present disclosure;

[0019] FIG. 5 is a front perspective view of another embodiment of a hair coloring brush constructed according to the present disclosure;

[0020] FIG. 6 is a back perspective view of the hair coloring brush shown in FIG. 5 constructed according to the present disclosure;

[0021] FIG. 7 is a front perspective view of another embodiment of a hair coloring brush constructed according to the present disclosure;

[0022] FIG. 8 is a back perspective view of the hair coloring brush shown in FIG. 7 constructed according to the present disclosure;

[0023] FIG. 9 is a front perspective view of another embodiment of a hair coloring brush constructed according to the present disclosure; and

[0024] FIG. 10 is a cross-sectional view of an embodiment of a bowl for a hair coloring brush system constructed according to the present disclosure.

DETAILED DESCRIPTION OF THE EMBODIMENTS

[0025] Referring now to the drawings, wherein like numbers refer to like items, number 10 identifies an embodiment of a hair coloring brush constructed according to the present disclosure. With reference now to FIG. 1, the hair coloring brush 10 is shown comprising a pick handle 12, a central base portion 14, and a plurality of bristles 16 extending out from the central base portion 14. The bristles 16 each have an end portion 18 with the end portions 18 forming a curved surface 20. The central base portion 14 has a curved end portion 22 from which the bristles 16 extend. The pick handle 12 has an end 24 and a tapered portion 26 that extends from the central base portion 14 to the end 24. The pick handle 12 is used to assist in sectioning hair that needs to be colored or dyed by the brush 10. The central base portion 14 has a front side 28 that is large and is adapted for a hand of an operator of the brush 10 to be able to firmly grasp. The central base portion 14 also has a first angled side portion 30, a first straight side portion 32, a second angled side portion 34, and a second straight side portion 36. The first angled side portion 30 is

between the tapered portion 26 and the first straight side portion 32. The first straight side portion 32 ends at the curved end portion 22. The second angled side portion 34 is between the tapered portion 26 and the second straight side portion 36. The second straight side portion 36 also terminates at the curved end portion 22. As can be appreciated, the curved surface 20 of the end portions 18 of the bristles 16 are used to follow the contoured shape of a head. In this manner, it will be easy to stroke hair with dye (not shown) applied to the brush 10 or apply dye to hair by using the brush 10. The curved end portion 22 provides a guide for applying dye to hair associated with the contoured shape of the head. By way of example only, the distance between the first straight side portion 32 and the second straight side portion 36 may be between $2\frac{3}{4}$ inches and 7 inches. The brush 10 has the central base portion 14 wider or larger than any prior brush which results in a wider or larger surface 20 than any prior brush will allow more dye to be applied to hair in one stroke of the brush 10. Further, although the side portions 30, 32, 34, and 36 are disclosed, it is to be understood that the central base portion 14 may be produced having any side portions such as a square shape, a rectangular shape, or a semicircular shape.

[0026] FIG. 2 illustrates a back perspective view of the hair coloring brush 10. The hair coloring brush 10 is shown comprising the pick handle 12, the central base portion 14, and the plurality of bristles 16 extending out from the central base portion 14. The bristles 16 each have the end portion 18 with the end portions 18 forming the curved surface 20. The central base portion 14 also has the curved end portion 22 from which the bristles 16 extend. The pick handle 12 has the end 24 and the tapered portion 26 that extends from the central base portion 14 to the end 24. The central base portion 14 has a back side 38 that is large and is adapted for a hand of an operator of the brush 10 to be able to firmly

grasp. The central base portion 14 is also shown having the first angled side portion 30, the first straight side portion 32, the second angled side portion 34, and the second straight side portion 36.

[0027] With reference now to FIG. 3, another embodiment of a hair coloring brush 50 is shown. The hair coloring brush 50 comprises a pick handle 52, a central base portion 54, and a plurality of bristles 56 extending out from the central base portion 54. The bristles 56 each have an end portion 58 with the end portions 58 forming a curved surface 60.

The central base portion 54 has a curved end portion 62 from which the bristles 56 extend. The pick handle 52 has an end 64 and a tapered portion 66 that extends from the central base portion 54 to the end 64. The pick handle 52 is used to assist in sectioning hair that needs to be colored or dyed by the brush 50. The central base portion 54 has a front side 68 that is large and is adapted for a hand of an operator of the brush 50 to be able to firmly grasp. The central base portion 54 has an indentation 70 formed in the front side 68. The indentation 70 has a curved bottom end 72 and a straight upper end 74. The indentation 70 provides an area 76 for grasping the brush 50 in a comfortable manner by an operator or use of the brush 50. The curved bottom end 72 provides a surface 78 against which fingers of an operator may be positioned for more control of the brush 50.

The central base portion 54 also has a first angled side portion 80, a first straight side portion 82, a second angled side portion 84, and a second straight side portion 86. The first angled side portion 80 is between the tapered portion 66 and the first straight side portion 82. The first straight side portion 82 ends at the curved end portion 62. The second angled side portion 84 is between the tapered portion 66 and the second straight side portion 86. The second straight side portion 86 also terminates at the curved end portion 62. As can be appreciated, the curved surface 60 of the end portions 58 of the

bristles 56 are used to follow the contoured shape of a head. In this manner, it will be easy to stroke hair with dye (not shown) applied to the brush 50 or apply dye to hair by using the brush 50. The curved end portion 62 provides a guide for applying dye to hair associated with the contoured shape of the head.

[0028] FIG. 4 depicts a back perspective view of the brush 50. The hair coloring brush 50 is shown comprising the pick handle 52, the central base portion 54, and the plurality of bristles 56 extending out from the central base portion 54. The bristles 56 each have the end portion 58 with the end portions 58 forming the curved surface 60. The central base portion 54 also has the curved end portion 62 from which the bristles 56 extend. The pick handle 52 has the end 64 and the tapered portion 66 that extends from the central base portion 54 to the end 64. The central base portion 54 has a back side 88 that is large and is adapted for a hand of an operator of the brush 50 to be able to firmly grasp. The central base portion 54 is also shown having the first angled side portion 80, the first straight side portion 82, the second angled side portion 84, and the second straight side portion 86. The central base portion 54 has an indentation 90 formed in the back side 88. The indentation 90 has a curved bottom end 92 and a straight upper end 94. The indentation 90 provides an area 96 for grasping the brush 50 in a comfortable manner by an operator or use of the brush 50. The curved bottom end 92 provides a surface 98 against which fingers of an operator may be positioned for more control of the brush 50. Although the indentation 90 is shown, it is possible that the central base portion 54 on the back side 88 may not have the indentation 90 formed therein. By having one indentation 70 or 90 formed in the brush 50, a user of the brush 50 will be able to know which direction dye is being applied by the brush 50. For example, if the brush 50 is to be moved only in a downward direction then knowing that the indentation 70 is only on the front side 68 of

the brush 50 will allow the user to be able to orientate the brush 50 for a downward stroke.

[0029] With particular reference now to FIG. 5, another embodiment of a hair coloring brush 100 is illustrated. The the hair coloring brush 100 is shown comprising a pick handle 102, a central base portion 104, and a plurality of bristles 106 extending out from the central base portion 104. The bristles 106 each have an end portion 108 with the end portions 108 forming a curved surface 110. The central base portion 104 has a straight end portion 112 from which the bristles 106 extend. The pick handle 102 has an end 114 and a tapered portion 116 that extends from the central base portion 104 to the end 114. The pick handle 102 is used to assist in sectioning hair that needs to be colored or dyed by the brush 100. The central base portion 104 has a front side 118 that is large and is adapted for a hand of an operator of the brush 100 to be able to firmly grasp. The central base portion 104 also has a first angled side portion 120, a first straight side portion 122, a second angled side portion 124, and a second straight side portion 126. The first angled side portion 120 is between the tapered portion 116 and the first straight side portion 122. The first straight side portion 122 ends at the straight end portion 112. The second angled side portion 124 is between the tapered portion 116 and the second straight side portion 126. The second straight side portion 126 also terminates at the straight end portion 112. As can be appreciated, the curved surface 110 of the end portions 108 of the bristles 106 are used to follow the contoured shape of a head. In this manner, it will be easy to stroke hair with dye (not shown) applied to the brush 100 or apply dye to hair by using the brush 100.

[0030] FIG. 6 illustrates a back perspective view of the hair coloring brush 100. The hair coloring brush 100 is shown comprising the pick handle 102, the central base portion

104, and the plurality of bristles 106 extending out from the central base portion 104. The bristles 106 each have the end portion 108 with the end portions 108 forming the curved surface 110. The central base portion 104 also has the straight end portion 112 from which the bristles 106 extend. The pick handle 102 has the end 114 and the tapered portion 116 that extends from the central base portion 104 to the end 114. The central base portion 104 has a back side 128 that is large and is adapted for a hand of an operator of the brush 100 to be able to firmly grasp. The central base portion 104 is also shown having the first angled side portion 120, the first straight side portion 122, the second angled side portion 124, and the second straight side portion 126.

[0031] Referring to FIG. 7, another embodiment of a hair coloring brush 150 is shown comprising a pick handle 152, a central base portion 154, and a plurality of bristles 156 extending out from the central base portion 154. The bristles 156 each have an end portion 158 with the end portions 158 forming a curved surface 160. The central base portion 154 has a straight end portion 162 from which the bristles 156 extend. The pick handle 152 has an end 164 and a tapered portion 166 that extends from the central base portion 154 to the end 164. The pick handle 152 is used to assist in sectioning hair that needs to be colored or dyed by the brush 150. The central base portion 154 has a front side 168 that is large and is adapted for a hand of an operator of the brush 150 to be able to firmly grasp. The central base portion 154 has an indentation 170 formed in the front side 168. The indentation 170 has a straight bottom end 172 and a circular upper end 174. The indentation 170 provides an area 176 for grasping the brush 150 in a comfortable manner by an operator or use of the brush 150. The curved bottom end 172 provides a surface 178 against which fingers of an operator may be positioned for more control of the brush 150. The central base portion 154 also has a first angled side portion 180, a first

straight side portion 182, a second angled side portion 184, and a second straight side portion 186. The first angled side portion 180 is between the tapered portion 166 and the first straight side portion 182. The first straight side portion 182 ends at the straight end portion 162. The second angled side portion 184 is between the tapered portion 166 and the second straight side portion 186. The second straight side portion 186 also terminates at the straight end portion 162. As can be appreciated, the curved surface 160 of the end portions 158 of the bristles 156 are used to follow the contoured shape of a head. In this manner, it will be easy to stroke hair with dye (not shown) applied to the brush 150 or apply dye to hair by using the brush 150.

[0032] FIG. 8 illustrates a back perspective view of the hair coloring brush 150. The hair coloring brush 150 is shown comprising the pick handle 152, the central base portion 154, and the plurality of bristles 156 extending out from the central base portion 154. The bristles 156 each have the end portion 158 with the end portions 158 forming the curved surface 160. The central base portion 154 also has the straight end portion 162 from which the bristles 156 extend. The pick handle 152 has the end 164 and the tapered portion 166 that extends from the central base portion 154 to the end 164. The central base portion 154 has a back side 188 that is large and is adapted for a hand of an operator of the brush 150 to be able to firmly grasp. The central base portion 154 is also shown having the first angled side portion 180, the first straight side portion 182, the second angled side portion 184, and the second straight side portion 186. The central base portion 154 has an indentation 190 formed in the back side 188. The indentation 190 has a straight bottom end 192 and a circular upper end 194. The indentation 190 provides an area 196 for grasping the brush 150 in a comfortable manner by an operator or use of the

brush 150. The straight bottom end 192 provides a surface 198 against which fingers of an operator may be positioned for more control of the brush 150.

[0033] Referring to FIG. 9, another embodiment of a hair coloring brush 200 is shown comprising a pick handle 202, a central base portion 204, and a plurality of bristles 206 extending out from the central base portion 204. The bristles 206 each have an end portion 208 with the end portions 208 forming a straight surface 210. The central base portion 204 has a straight end portion 212 from which the bristles 206 extend. The pick handle 202 has an end 214 and a tapered portion 216 that extends from the central base portion 204 to the end 214. The pick handle 202 is used to assist in sectioning hair that needs to be colored or dyed by the brush 200. The central base portion 204 has a front side 218 that is large and is adapted for a hand of an operator of the brush 200 to be able to firmly grasp. The central base portion 204 also has a first angled side portion 220, a first straight side portion 222, a second angled side portion 224, and a second straight side portion 226. The first angled side portion 220 is between the tapered portion 216 and the first straight side portion 222. The first straight side portion 222 ends at the straight end portion 212. The second angled side portion 224 is between the tapered portion 216 and the second straight side portion 226. The second straight side portion 226 also terminates at the straight end portion 212. Although not shown, it is possible and contemplated that the central base portion 204 may have an indentation formed in the front side 218. Also, not visible in this particular is a back side of the brush 200. Again, the back side of the brush 200 may also have an indentation formed in the central base portion 204.

[0034] With particular reference now to FIG. 10, a cross-sectional view of a bowl or receptacle 250 used with any of the brushes 10, 50, 100, 150, or 200 to form a hair

coloring brush system is shown. The bowl 250 comprises a basin portion 252 having an interior V-shaped wall 254, a rim 256, a ledge or a rest portion 258 positioned adjacent to the rim 256 in the basin 252, and a handle 260. The ledge 258 is used to place or rest any of the brushes 10, 50, 100, 150, or 200 thereon or against. The V-shaped wall 254 allows any chemicals, such as hair dye or hair color, to settle at a bottom 262 of the basin 252. The V-shaped wall 254 also allows the any of the brushes 10, 50, 100, 150, or 200 to rest therein and to be able to easily remove any of the brushes 10, 50, 100, 150, or 200. The handle 260 is used to stabilize the bowl 250. As can be appreciated, the basin 252 is large enough to allow any of the brushes 10, 50, 100, 150, or 200 to fit therein.

[0035] As can be appreciated, the brushes 10, 50, 100, 150, and 200 can be constructed of any suitable material such as plastic, polymer, metal, wood, or a combination of these materials. The bristles 16, 56, 106, 156, 206 may also be formed of any suitable material such as plastic, polymer, synthetic material, natural materials, or a combination of these materials. The brushes 10, 50, 100, 150, and 200 are suitable for single use or multiple uses. For example, the brushes 10, 50, 100, 150, and 200 can be disposable or can be cleaned of dye after each use and then used again to apply dye. It is also possible that the brushes may be manufactured in different colors so that the same brush may be used for applying the same color on different individuals.

[0036] From all that has been said, it will be clear that there has thus been shown and described herein a hair coloring brush and system which fulfills the various objects and advantages sought therefore. It will become apparent to those skilled in the art, however, that many changes, modifications, variations, and other uses and applications of the subject hair coloring brush and system are possible and contemplated. All changes, modifications, variations, and other uses and applications which do not depart from the

spirit and scope of the are deemed to be covered by the subject mattress protector and removable cover assembly, which is limited only by the claims which follow.

What is claimed is:

Claim 1. A hair coloring brush comprising:

a central base portion having a curved end portion, a front side, and an indentation formed in the front side, the indentation having a curved bottom end adjacent to the curved end portion and a straight upper end opposite the curved bottom end, the indentation having an area for grasping the central base portion and the curved bottom end having a curved surface against which fingers of an individual may be positioned in a curved manner for controlling the brush and the straight upper end having a straight surface against which fingers of an individual may be positioned in a straight manner for controlling the brush;

a pick handle extending from the central base portion; and

a plurality of bristles extending out from the curved end portion of the central base portion, the bristles each have an end portion with the end portions forming a curved surface.

Claim 2. The hair coloring brush of claim 1 wherein the central base portion further comprises a back side wherein the back side is large and is adapted for a hand of an operator of the hair coloring brush to be able to firmly grasp the hair coloring brush.

Claim 3. The hair coloring brush of claim 1 wherein the pick handle has an end and a tapered portion that extends from the central base portion to the end.

Claim 4. The hair coloring brush of claim 1 wherein the front side is large and is adapted for a hand of an operator of the hair coloring brush to be able to firmly grasp the hair coloring brush.

Claim 5. The hair coloring brush of claim 1 wherein the pick handle has an end and a tapered portion that extends from the central base portion to the end and the central base portion further comprises a first angled side portion, a first straight side portion, a second angled side portion, and a second straight side portion.

Claim 6. The hair coloring brush of claim 5 wherein the first angled side portion is between the tapered portion and the first straight side portion.

Claim 7. The hair coloring brush of claim 5 wherein the second angled side portion is between the tapered portion and the second straight side portion.

Claim 8. The hair coloring brush of claim 1 wherein the central base portion further comprises a back side and an indentation formed in the back side, the indentation having a curved bottom end adjacent to the curved end portion and a straight upper end, the indentation having an area for grasping the central base portion.

Claim 9. A hair coloring brush comprising:

a central base portion having a curved end portion, a front side having an indentation formed in the front side with the indentation having a curved bottom end adjacent to the curved end portion and a straight upper end opposite the curved bottom end, the indentation having an area for grasping the central base portion and the curved bottom end having a curved surface against which fingers of an individual may be positioned in a curved manner for controlling the brush and the straight upper end having a straight surface against which fingers of an individual may be positioned in a straight manner for controlling the brush, a back side having an indentation formed in the back side with the indentation having a curved bottom end adjacent to the curved end portion and a straight upper end opposite the

curved bottom end and the curved bottom end having a curved surface against which fingers of an individual may be positioned in a curved manner for controlling the brush and the straight upper end having a straight surface against which fingers of an individual may be positioned in a straight manner for controlling the brush;

a pick handle extending from the central base portion; and

a plurality of bristles extending out from the curved end portion of the central base portion, the bristles each have an end portion with the end portions forming a curved surface.

Claim 10. The hair coloring brush of claim 9 wherein the wherein the back side is large and is adapted for a hand of an operator of the hair coloring brush to be able to firmly grasp the hair coloring brush.

Claim 11. The hair coloring brush of claim 9 wherein the pick handle has an end and a tapered portion that extends from the central base portion to the end and the central base portion further comprises a first angled side portion, a first straight side portion, a second angled side portion, and a second straight side portion and the first angled side portion is between the tapered portion and the first straight side portion and the second angled side portion is between the tapered portion and the second straight side portion.

Claim 12. The hair coloring brush of claim 9 wherein the pick handle has an end and a tapered portion that extends from the central base portion to the end.

Claim 13. The hair coloring brush of claim 9 wherein the front side is large and is adapted for a hand of an operator of the hair coloring brush to be able to firmly grasp the hair coloring brush.

Claim 14. The hair coloring brush of claim 9 wherein the pick handle has an end and a tapered portion that extends from the central base portion to the end and the central base portion further comprises a first angled side portion, a first straight side portion, a second angled side portion, and a second straight side portion.

Claim 15. The hair coloring brush of claim 14 wherein the first angled side portion is between the tapered portion and the first straight side portion.

Claim 16. The hair coloring brush of claim 14 wherein the second angled side portion is between the tapered portion and the second straight side portion.

Claim 17. A hair coloring brush system comprising:

a central base portion having a curved end portion, a front side, and an indentation formed in the front side, the indentation having a curved bottom end adjacent to the curved end portion and a straight upper end opposite the curved bottom end, the indentation having an area for grasping the central base portion and the curved bottom end having a curved surface against which fingers of an individual may be positioned in a curved manner for controlling the brush and the straight upper end having a straight surface against which fingers of an individual may be positioned in a straight manner for controlling the brush;

a pick handle extending from the central base portion;

a plurality of bristles extending out from the central base portion, the bristles each have an end portion with the end portions forming a curved surface; and

a bowl for holding a quantity of dye and having a basin for receiving the bristles and the central base portion.

Claim 18. The hair coloring brush system of claim 17 wherein the bowl further comprises the basin having a V-shaped wall, a rim, a ledge positioned below the rim in the basin, and a handle.

Claim 19. The hair coloring brush system of claim 17 wherein the central base portion further comprises a first angled side portion, a first straight side portion, a second angled side portion, and a second straight side portion.

Claim 20. The hair coloring brush system of claim 17 wherein the central base portion further comprises a first angled side portion, a first straight side portion, a second angled side portion, and a second straight side portion with the first angled side portion being between the tapered portion and the first straight side portion and the second angled side portion being between the tapered portion and the second straight side portion.

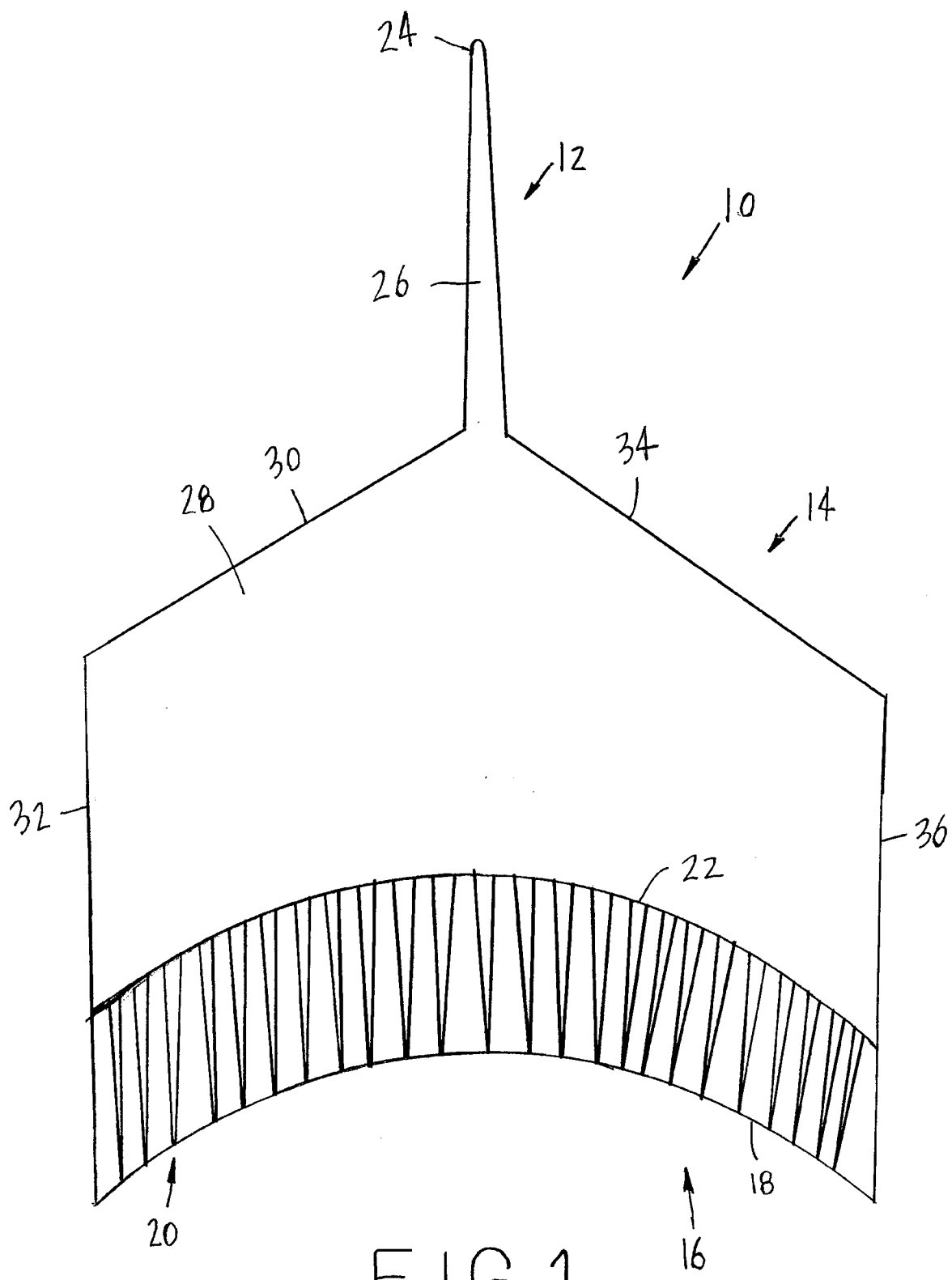


FIG. 1

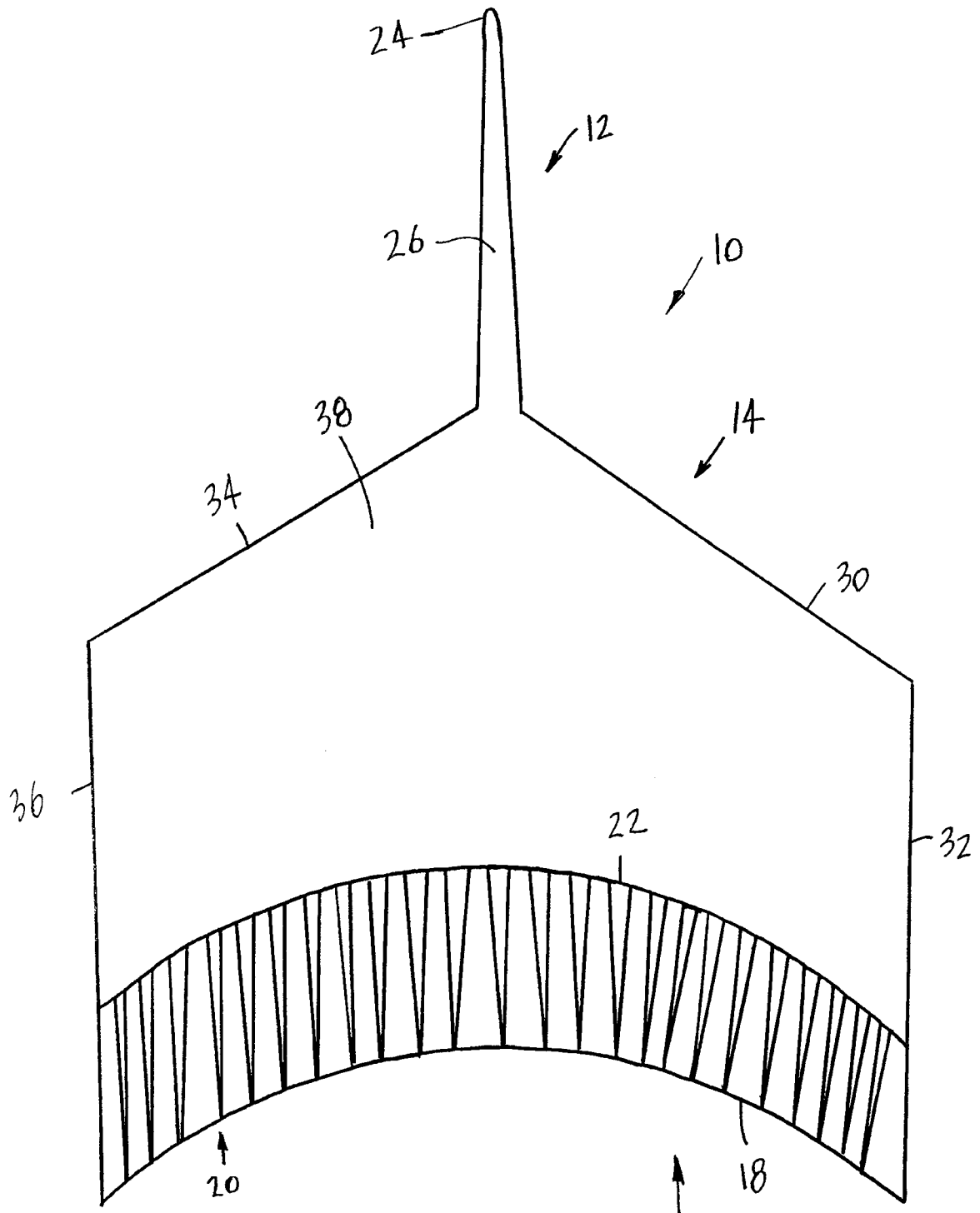


FIG. 2

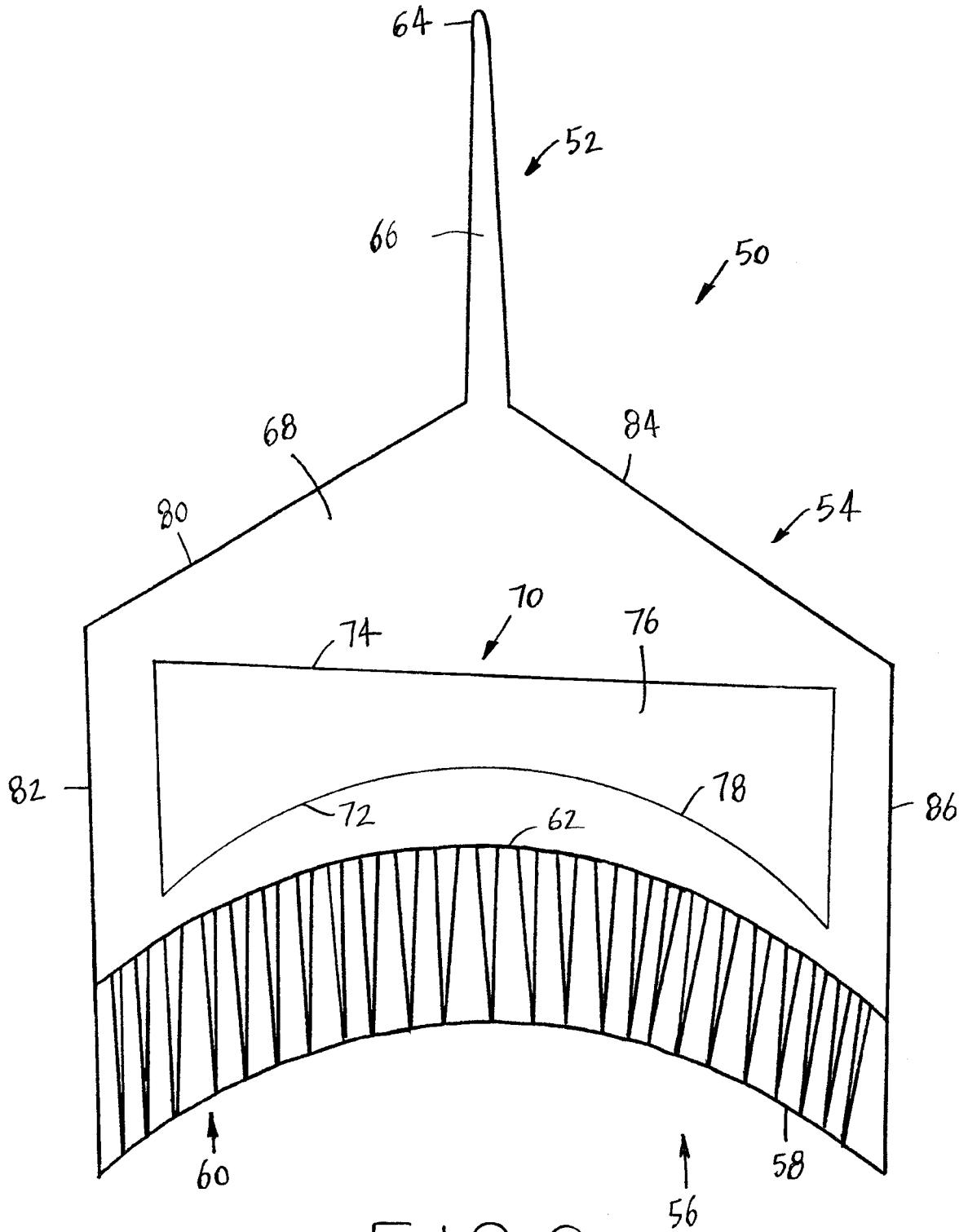


FIG. 3

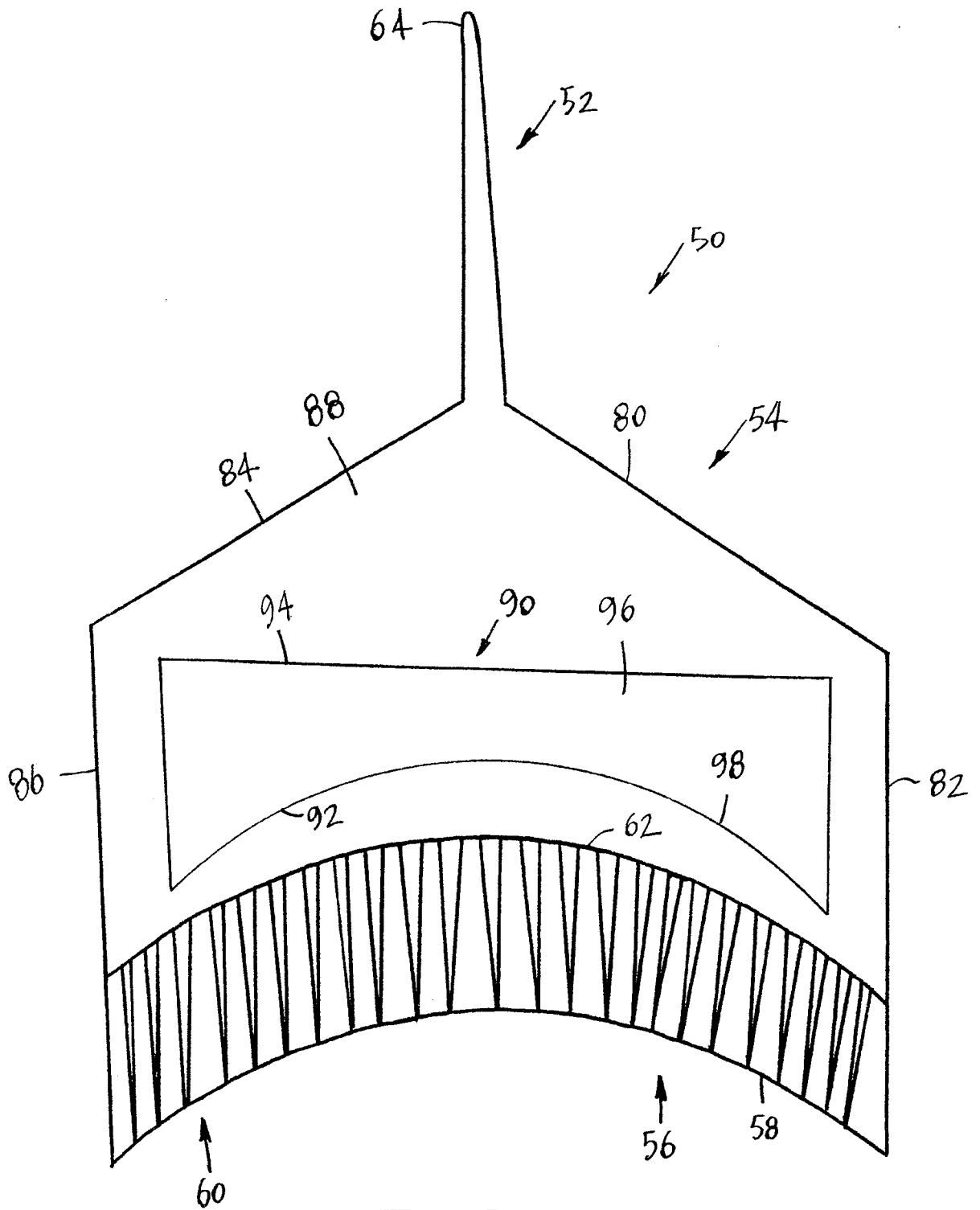


FIG. 4

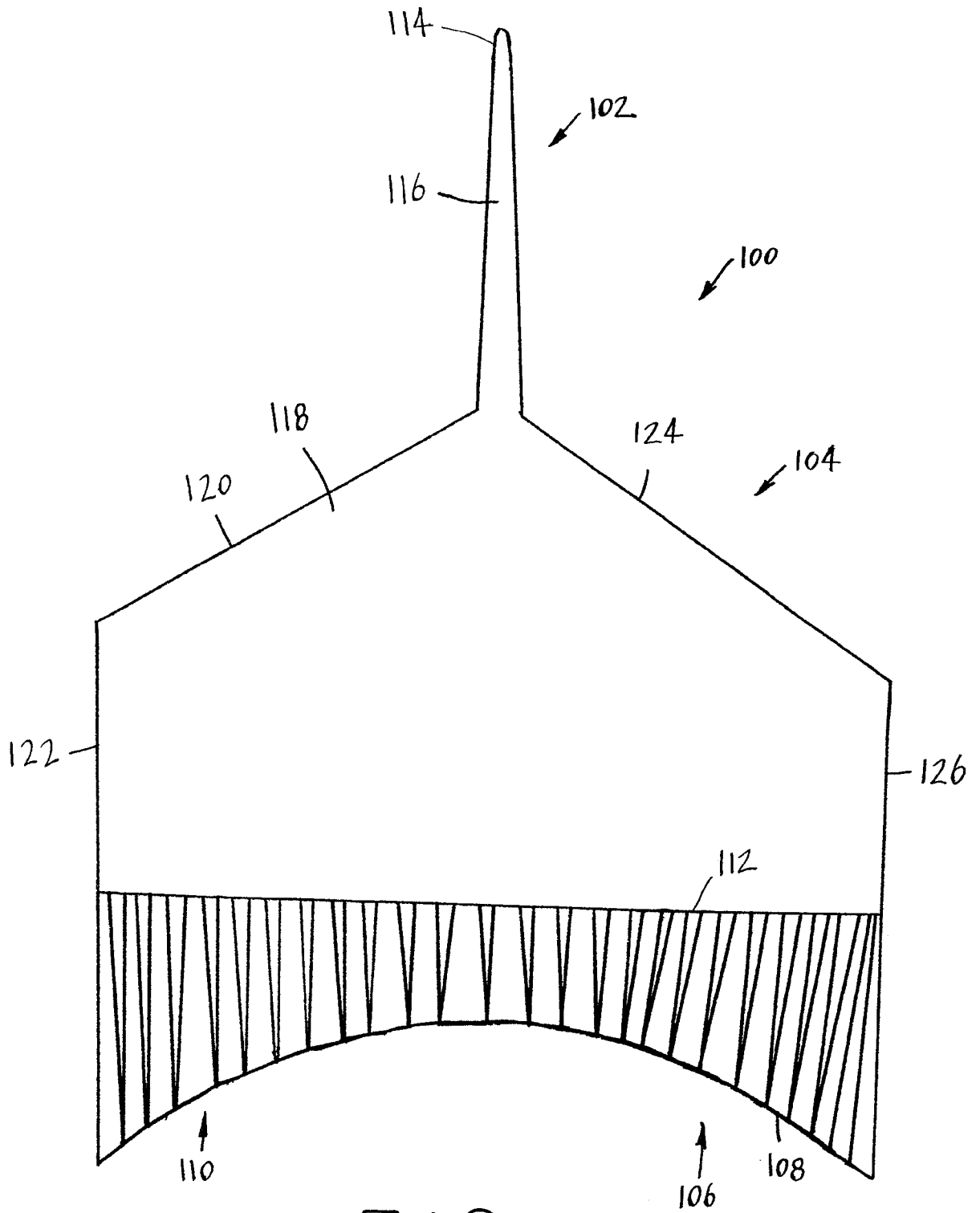


FIG. 5

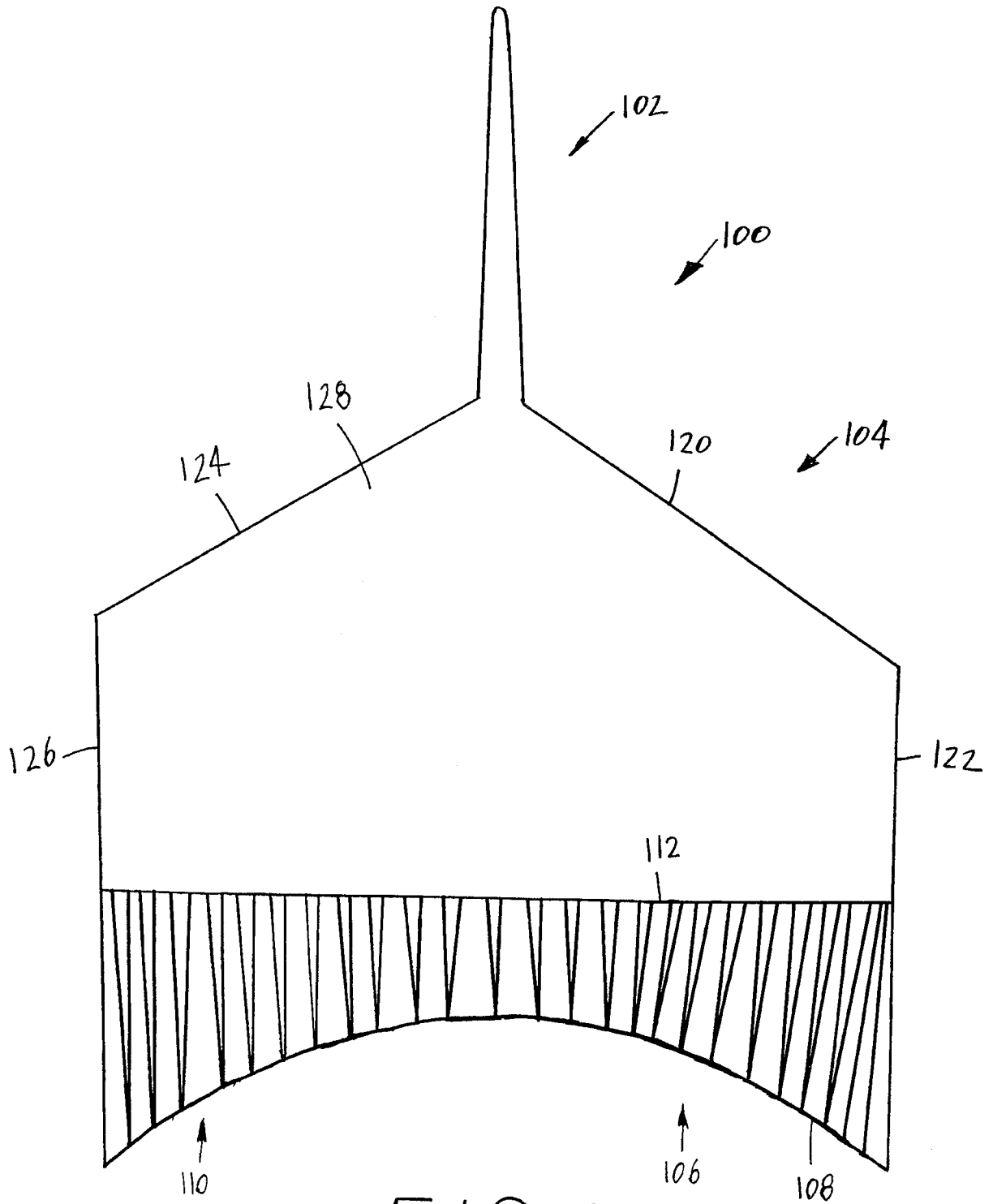


FIG. 6

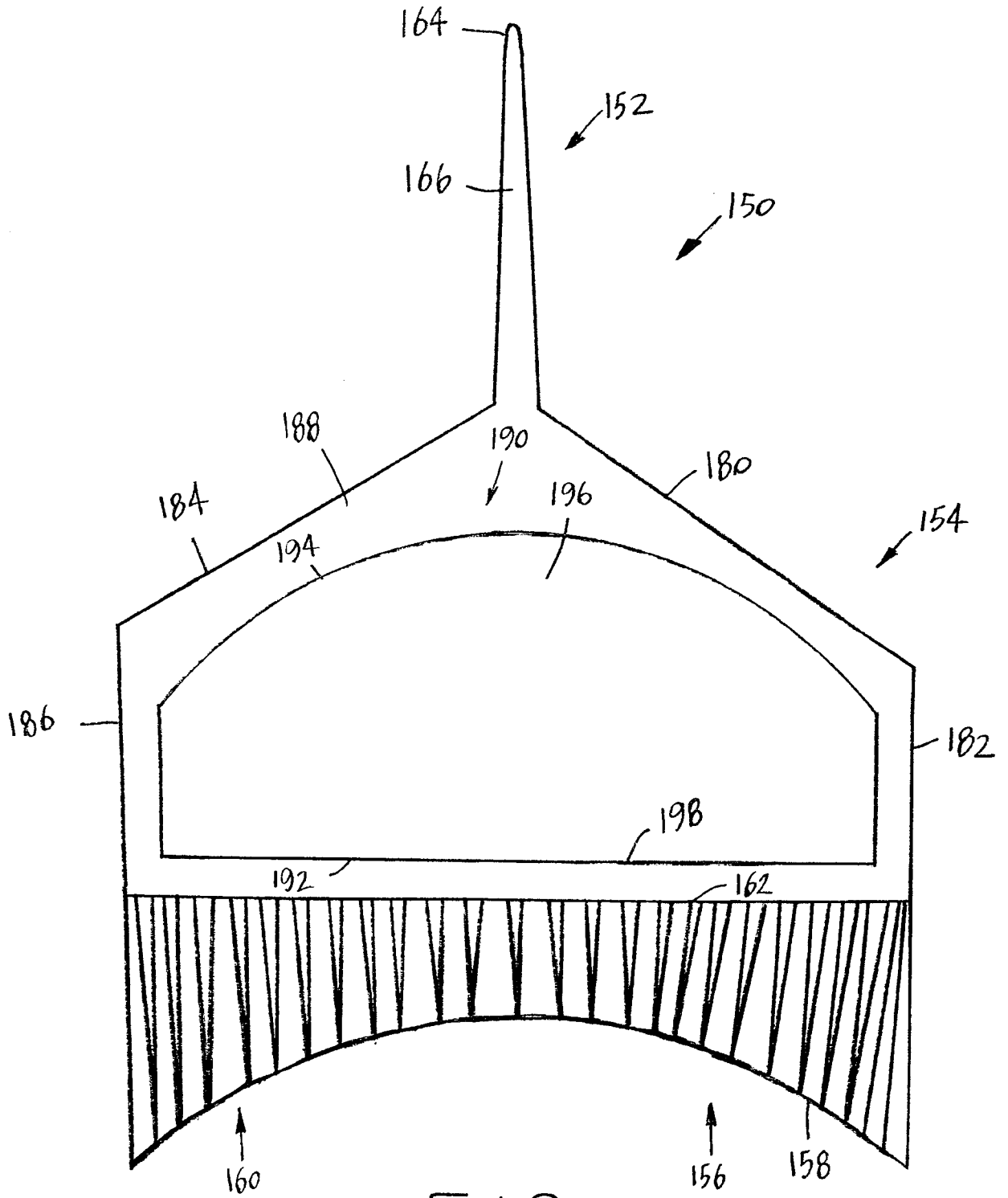
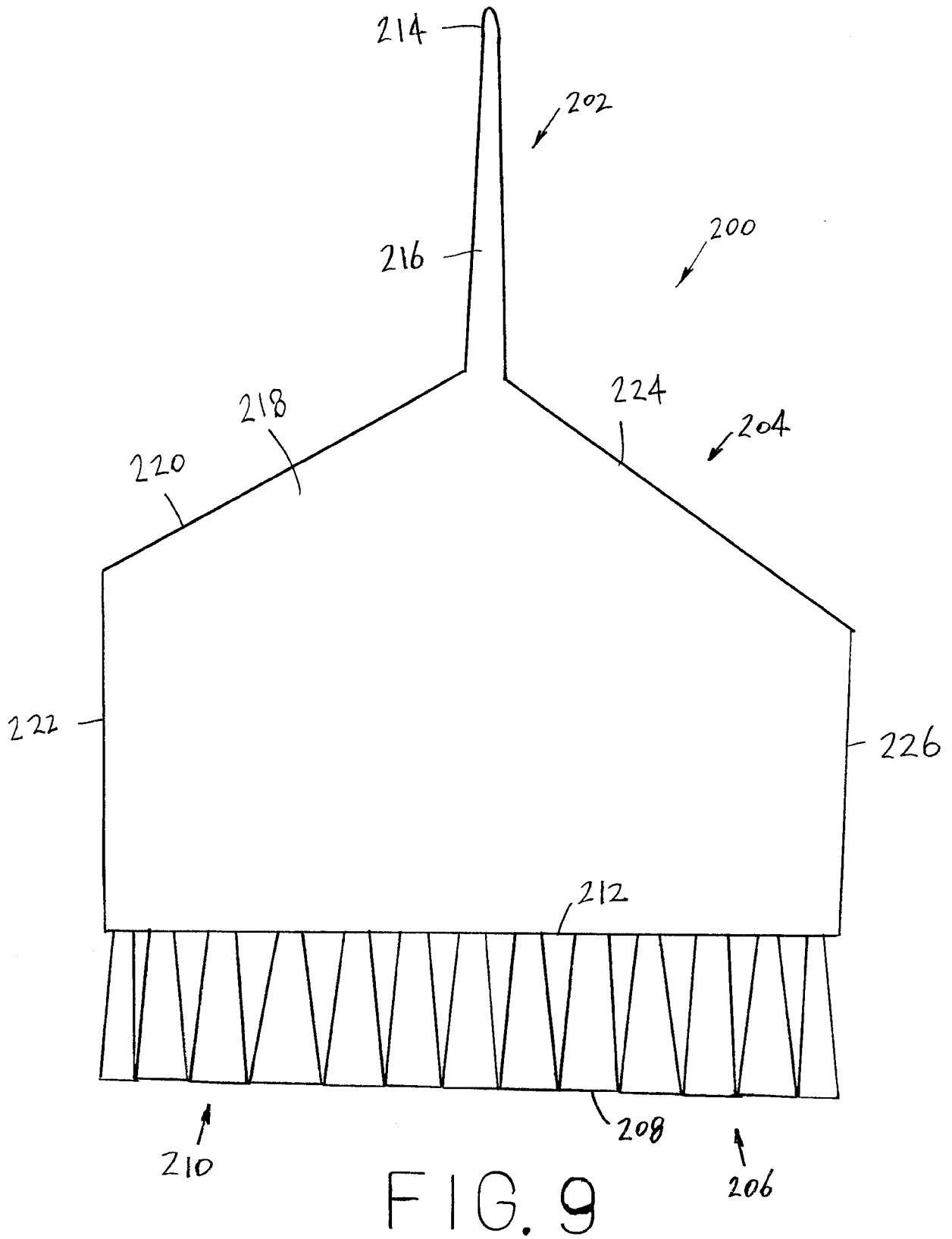


FIG. 8



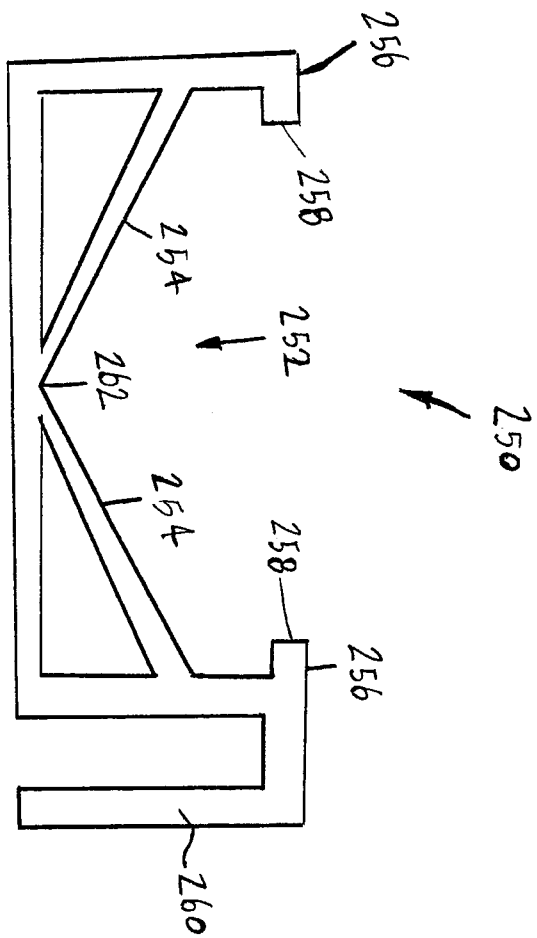


FIG. 10

