

(19) World Intellectual Property Organization
International Bureau



(43) International Publication Date
27 December 2007 (27.12.2007)

PCT

(10) International Publication Number
WO 2007/149295 A3

- (51) International Patent Classification:
E02F 5/06 (2006.01) E02F 7/00 (2006.01)
E02F 3/08 (2006.01)
- (21) International Application Number:
PCT/US2007/013953
- (22) International Filing Date: 13 June 2007 (13.06.2007)
- (25) Filing Language: English
- (26) Publication Language: English
- (30) Priority Data:
60/814,670 16 June 2006 (16.06.2006) US
- (71) Applicant (for all designated States except US): **ESCO CORPORATION** [US/US]; 2141 NW 25th Avenue, Portland, OR 97210-2578 (US).

AT, AU, AZ, BA, BB, BG, BH, BR, BW, BY, BZ, CA, CH, CN, CO, CR, CU, CZ, DE, DK, DM, DO, DZ, EC, EE, EG, ES, FI, GB, GD, GE, GH, GM, GT, HN, HR, HU, ID, IL, IN, IS, JP, KE, KG, KM, KN, KP, KR, KZ, LA, LC, LK, LR, LS, LT, LU, LY, MA, MD, ME, MG, MK, MN, MW, MX, MY, MZ, NA, NG, NI, NO, NZ, OM, PG, PH, PL, PT, RO, RS, RU, SC, SD, SE, SG, SK, SL, SM, SV, SY, TJ, TM, TN, TR, TT, TZ, UA, UG, US, UZ, VC, VN, ZA, ZM, ZW.

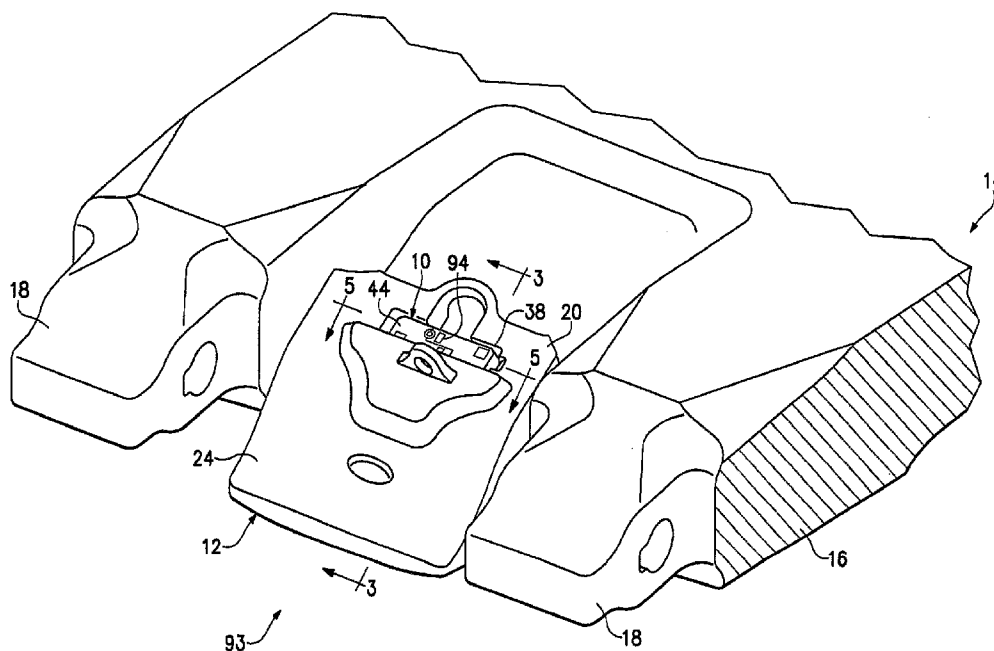
- (72) Inventor; and
- (75) Inventor/Applicant (for US only): **MCCLANAHAN, Robert** [US/US]; 11895 SE Kehrli Drive, Milwaukie, OR 97222 (US).
- (74) Agent: **SCHAD, Steven, P.**; Esco Corporation, 2141 NW 25th Avenue, Portland, OR 97210-2578 (US).
- (81) Designated States (unless otherwise indicated, for every kind of national protection available): AE, AG, AL, AM,

(84) Designated States (unless otherwise indicated, for every kind of regional protection available): ARIPO (BW, GH, GM, KE, LS, MW, MZ, NA, SD, SL, SZ, TZ, UG, ZM, ZW), Eurasian (AM, AZ, BY, KG, KZ, MD, RU, TJ, TM), European (AT, BE, BG, CH, CY, CZ, DE, DK, EE, ES, FI, FR, GB, GR, HU, IE, IS, IT, LT, LU, LV, MC, MT, NL, PL, PT, RO, SE, SI, SK, TR), OAPI (BF, BJ, CF, CG, CI, CM, GA, GN, GQ, GW, ML, MR, NE, SN, TD, TG).

Published:
— with international search report
— before the expiration of the time limit for amending the claims and to be republished in the event of receipt of amendments

(88) Date of publication of the international search report:
30 October 2008

(54) Title: LOCK FOR SECURING WEAR PARTS TO EARTH-WORKING EQUIPMENT



(57) Abstract: A lock for securing a wear part to earth-working equipment that is foldable between a retaining position to hold the wear part to the equipment and a release position that permits removal of the lock and release of the wear part from the equipment. The lock includes a retainer for releasably holding the lock in the retaining position. The retainer may comprise a threaded wedge received into a complementary threaded passage.

WO 2007/149295 A3

INTERNATIONAL SEARCH REPORT

International application No.

PCT/US07/13953

A. CLASSIFICATION OF SUBJECT MATTER

IPC: E02F 5/06(2006.01),3/08(2006.01),7/00(2006.01)

USPC: 37/350-360;172/772,772.5;403/319,320

According to International Patent Classification (IPC) or to both national classification and IPC

B. FIELDS SEARCHED

Minimum documentation searched (classification system followed by classification symbols)

U.S. : 37/350-360;172/772,772.5;403/319,320

Documentation searched other than minimum documentation to the extent that such documents are included in the fields searched

Electronic data base consulted during the international search (name of data base and, where practicable, search terms used)
EAST

C. DOCUMENTS CONSIDERED TO BE RELEVANT

Category *	Citation of document, with indication, where appropriate, of the relevant passages	Relevant to claim No.
X	US 20030024139 A (JONES et al) 06 February 2003 (06.02.2003), figures 1, 5, 7 & 26-31	1-3, 9-14, 16
---		-----
Y		5, 15, 17, 18, 21
X	US 20040037637 A (LIAN et al) 26 February 2004 (26.02.2004), see figures 1, 3, 4, 10.	1-2, 6, 8, 10, 12, 13, 16
X	US 4,501,079 (HAHN et al) 26 February 1985 (26.02.1985), see figure 10.	1-2, 6, 8, 10, 12, 13, 16
Y	US 20030024139 (BRISCOE) 04 November 2004 (04.11.2004), see figure 1.	5, 15, 17, 18, 21

Further documents are listed in the continuation of Box C.

See patent family annex.

* Special categories of cited documents:		
"A" document defining the general state of the art which is not considered to be of particular relevance	"T"	later document published after the international filing date or priority date and not in conflict with the application but cited to understand the principle or theory underlying the invention
"E" earlier application or patent published on or after the international filing date	"X"	document of particular relevance; the claimed invention cannot be considered novel or cannot be considered to involve an inventive step when the document is taken alone
"L" document which may throw doubts on priority claim(s) or which is cited to establish the publication date of another citation or other special reason (as specified)	"Y"	document of particular relevance; the claimed invention cannot be considered to involve an inventive step when the document is combined with one or more other such documents, such combination being obvious to a person skilled in the art
"O" document referring to an oral disclosure, use, exhibition or other means	"&"	document member of the same patent family
"P" document published prior to the international filing date but later than the priority date claimed		

Date of the actual completion of the international search

04 August 2008 (04.08.2008)

Date of mailing of the international search report

25 AUG 2008

Name and mailing address of the ISA/US

Mail Stop PCT, Attn: ISA/US
Commissioner for Patents
P.O. Box 1450
Alexandria, Virginia 22313-1450

Facsimile No. (571) 273-3201

Authorized officer

THOMAS A. BEACH

Telephone No. 571.272.5150