



US00D421850S

United States Patent [19] Willardson

[11] **Patent Number: Des. 421,850**
[45] **Date of Patent: ** Mar. 28, 2000**

- [54] **APPAREL DESIGNATOR**
- [75] Inventor: **Donald J. Willardson**, Provo, Utah
- [73] Assignee: **DBW Marketing, Inc.**, Provo, Utah
- [**] Term: **14 Years**
- [21] Appl. No.: **29/107,371**
- [22] Filed: **Jun. 30, 1999**
- [51] **LOC (6) Cl.** **06-08**
- [52] **U.S. Cl.** **D6/328; D20/28**
- [58] **Field of Search** D6/315, 328; D20/28;
40/316, 322; 223/85, 87-89, 91-94

4,198,773	4/1980	Batts	40/316
4,679,340	7/1987	Johansson	40/322
5,586,697	12/1996	Johansson	223/85

Primary Examiner—B. J. Bullock
Attorney, Agent, or Firm—Lloyd W. Sadler

[57] CLAIM

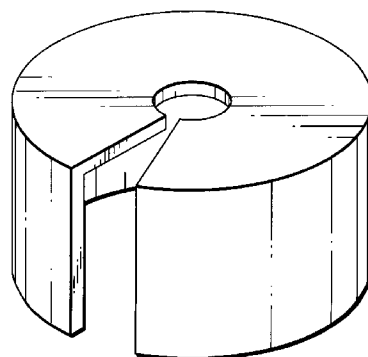
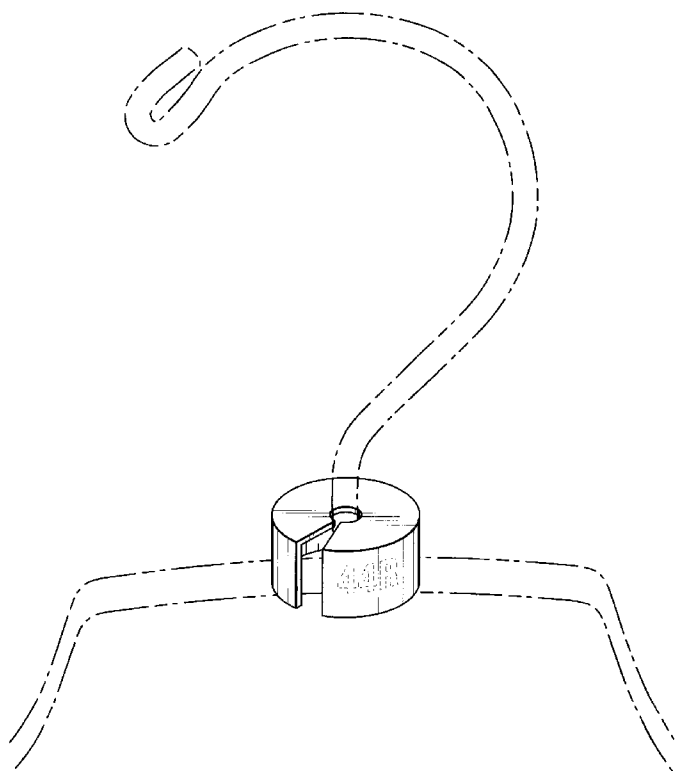
The ornamental design for an apparel designator, as shown and described.

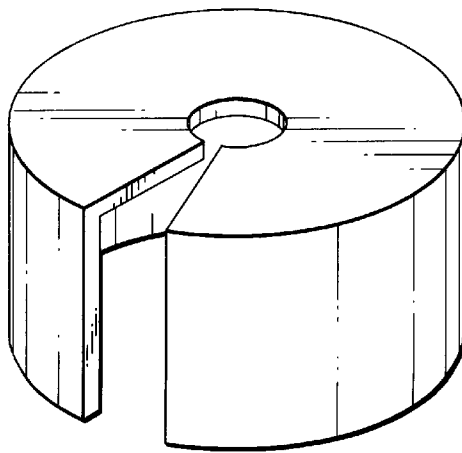
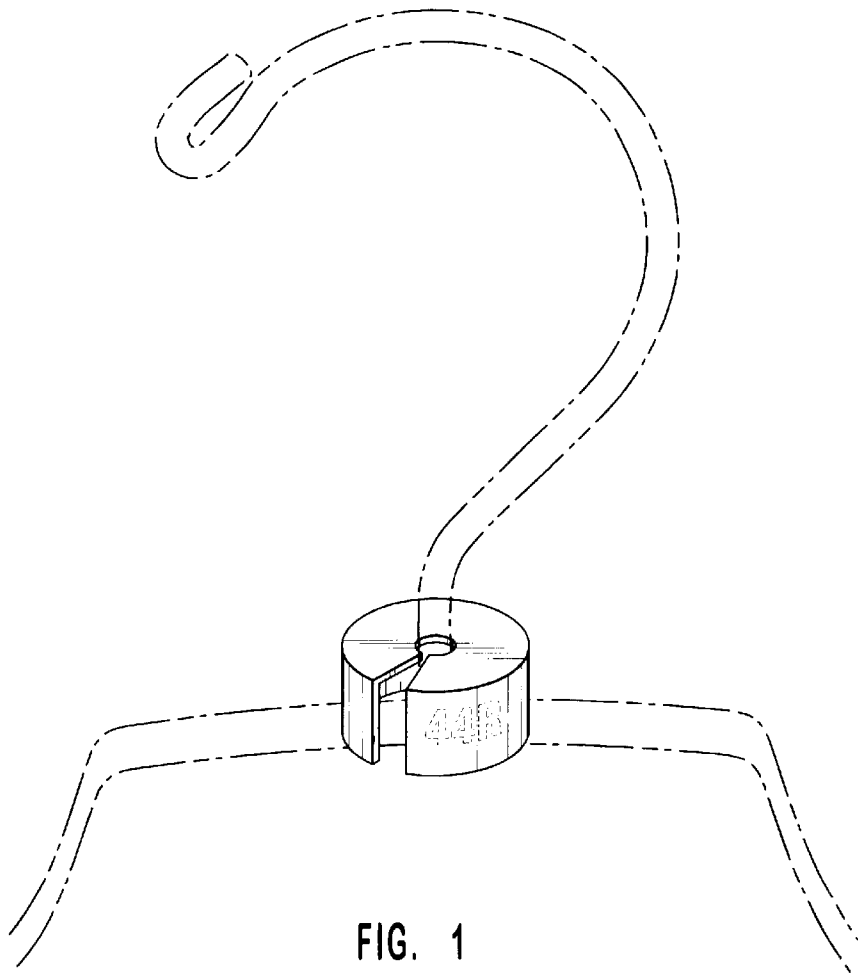
DESCRIPTION

FIG. 1 is a perspective view of the apparel designator in use.
 FIG. 2 is an enlarged perspective view of the apparel designator alone.
 FIG. 3 is a top plan view thereof.
 FIG. 4 is a front side elevation view.
 FIG. 5 is a rear side elevation view.
 FIG. 6 is a right side elevation view, the left side elevation views being the same as the rear side elevation view; and
 FIG. 7 is a bottom plan view.
 The broken lines in FIG. 1 are for illustrative purposes only and form no part of the claimed design.

1 Claim, 2 Drawing Sheets

- [56] **References Cited**
- U.S. PATENT DOCUMENTS**
- D. 244,197 5/1977 Ostroll D20/28
- 1,575,775 3/1926 Lesser .
- 2,850,819 9/1958 Payne .
- 3,535,808 10/1970 Morrish .
- 3,898,754 8/1975 Johansson 40/322
- 4,045,899 9/1977 Richardson 40/322





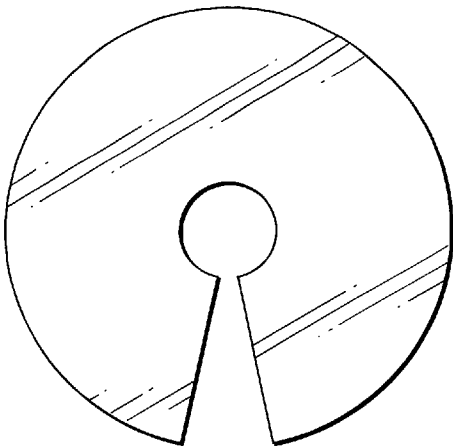


FIG. 3

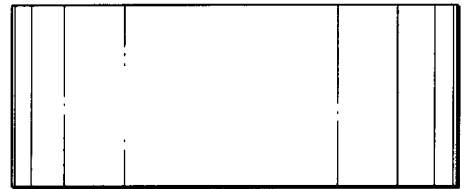


FIG. 5

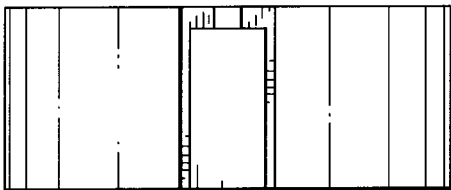


FIG. 4

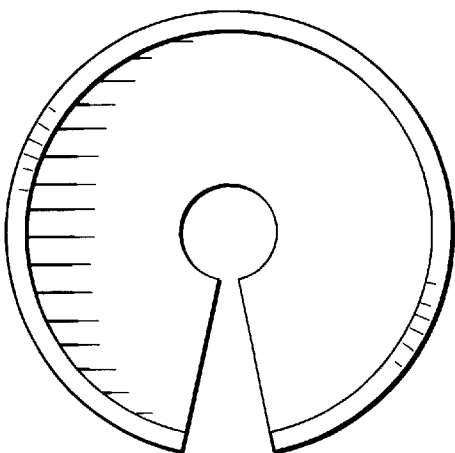


FIG. 7

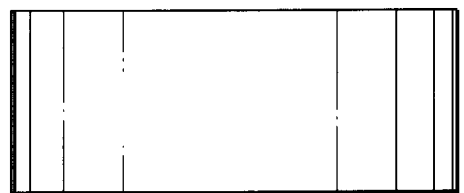


FIG. 6