

(19) World Intellectual Property
Organization
International Bureau



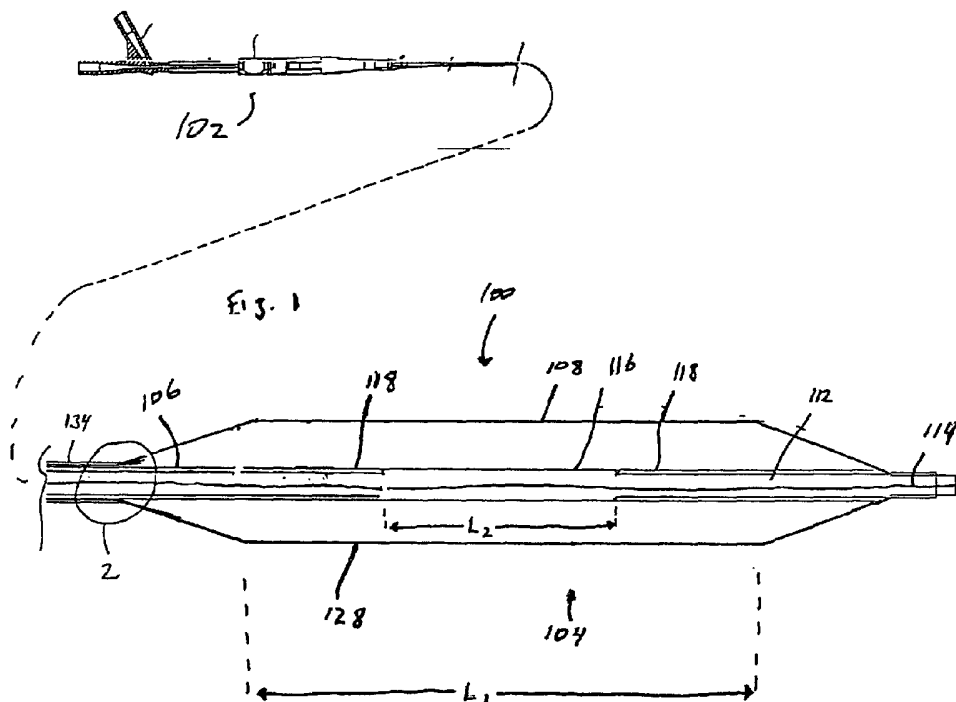
(43) International Publication Date
20 February 2003 (20.02.2003)

PCT

(10) International Publication Number
WO 2003/013637 A3

- (51) International Patent Classification⁷: **A61M 25/00**
- (21) International Application Number:
PCT/US2002/017321
- (22) International Filing Date: 31 May 2002 (31.05.2002)
- (25) Filing Language: English
- (26) Publication Language: English
- (30) Priority Data:
09/682,198 3 August 2001 (03.08.2001) US
- (71) Applicant: **SCIMED LIFE SYSTEMS, INC.** [US/US];
One SciMed Place, Maple Grove, MN 55311-1566 (US).
- (72) Inventors: **MILLER, Paul, J.**; 2145 Niles Avenue, St. Paul, MN 55116 (US). **TRACY, Matthew, J.**; 13649 44th St. N.E., St. Michael, MN 55376 (US).
- (74) Agent: **GRAD, Jonathan**; Vidas, Arrett & Steinkraus, 6109 Blue Circle Drive, Suite 2000, Minnetonka, MN 55343-9185 (US).
- (81) Designated States (*national*): CA, JP.
- (84) Designated States (*regional*): European patent (AT, BE, CH, CY, DE, DK, ES, FI, FR, GB, GR, IE, IT, LU, MC, NL, PT, SE, TR).
- Published:
— with international search report
- (88) Date of publication of the international search report:
11 March 2004
- For two-letter codes and other abbreviations, refer to the "Guidance Notes on Codes and Abbreviations" appearing at the beginning of each regular issue of the PCT Gazette.

(54) Title: METHOD FOR STABILIZING BALLOON DURING DILATATION



(57) Abstract: A balloon catheter (100) comprises an inner tube (06), a medical balloon (108) and an inflation lumen (110). The medical balloon (108) is disposed about the inner tube (106) and in fluid communication with the inflation lumen (110). A collapsible portion (116) of the inner tube (106) is constructed to collapse inward upon delivery of an inflation fluid to the medical balloon (108) to secure the inner tube (106) to the guidewire (114).

WO 2003/013637 A3

INTERNATIONAL SEARCH REPORT

International Application No
PCT/US 02/17321

A. CLASSIFICATION OF SUBJECT MATTER IPC 7 A61M25/00				
According to International Patent Classification (IPC) or to both national classification and IPC				
B. FIELDS SEARCHED				
Minimum documentation searched (classification system followed by classification symbols) IPC 7 A61M				
Documentation searched other than minimum documentation to the extent that such documents are included in the fields searched				
Electronic data base consulted during the international search (name of data base and, where practical, search terms used) EPO-Internal, WPI Data, PAJ				
C. DOCUMENTS CONSIDERED TO BE RELEVANT				
Category °	Citation of document, with indication, where appropriate, of the relevant passages	Relevant to claim No.		
X A X X	EP 0 371 486 A (ADVANCED CARDIOVASCULAR SYSTEM) 6 June 1990 (1990-06-06) column 3, line 26 -column 4, line 26; claims 1-5,8; figures --- US 5 919 162 A (BURNS MATTHEW MCCOY) 6 July 1999 (1999-07-06) column 1, line 66; figures --- US 5 531 689 A (LODIN DAVID W ET AL) 2 July 1996 (1996-07-02) column 4, line 57; claim 1; figures --- -/--	1-6, 8-10,12, 14,17, 20-22, 25,31-33 7,11,13 1,21,31, 33 1,15,16		
<input checked="" type="checkbox"/> Further documents are listed in the continuation of box C.				
<input checked="" type="checkbox"/> Patent family members are listed in annex.				
° Special categories of cited documents :				
<table style="width: 100%; border: none;"> <tr> <td style="width: 50%; border: none; vertical-align: top;"> *A* document defining the general state of the art which is not considered to be of particular relevance *E* earlier document but published on or after the international filing date *L* document which may throw doubts on priority claim(s) or which is cited to establish the publication date of another citation or other special reason (as specified) *O* document referring to an oral disclosure, use, exhibition or other means *P* document published prior to the International filing date but later than the priority date claimed </td> <td style="width: 50%; border: none; vertical-align: top;"> *T* later document published after the international filing date or priority date and not in conflict with the application but cited to understand the principle or theory underlying the invention *X* document of particular relevance; the claimed invention cannot be considered novel or cannot be considered to involve an inventive step when the document is taken alone *Y* document of particular relevance; the claimed invention cannot be considered to involve an inventive step when the document is combined with one or more other such documents, such combination being obvious to a person skilled in the art. *&* document member of the same patent family </td> </tr> </table>			*A* document defining the general state of the art which is not considered to be of particular relevance *E* earlier document but published on or after the international filing date *L* document which may throw doubts on priority claim(s) or which is cited to establish the publication date of another citation or other special reason (as specified) *O* document referring to an oral disclosure, use, exhibition or other means *P* document published prior to the International filing date but later than the priority date claimed	*T* later document published after the international filing date or priority date and not in conflict with the application but cited to understand the principle or theory underlying the invention *X* document of particular relevance; the claimed invention cannot be considered novel or cannot be considered to involve an inventive step when the document is taken alone *Y* document of particular relevance; the claimed invention cannot be considered to involve an inventive step when the document is combined with one or more other such documents, such combination being obvious to a person skilled in the art. *&* document member of the same patent family
A document defining the general state of the art which is not considered to be of particular relevance *E* earlier document but published on or after the international filing date *L* document which may throw doubts on priority claim(s) or which is cited to establish the publication date of another citation or other special reason (as specified) *O* document referring to an oral disclosure, use, exhibition or other means *P* document published prior to the International filing date but later than the priority date claimed	*T* later document published after the international filing date or priority date and not in conflict with the application but cited to understand the principle or theory underlying the invention *X* document of particular relevance; the claimed invention cannot be considered novel or cannot be considered to involve an inventive step when the document is taken alone *Y* document of particular relevance; the claimed invention cannot be considered to involve an inventive step when the document is combined with one or more other such documents, such combination being obvious to a person skilled in the art. *&* document member of the same patent family			
Date of the actual completion of the international search <p style="text-align: center; font-weight: bold;">21 February 2003</p>		Date of mailing of the international search report <p style="text-align: center; font-weight: bold;">04/03/2003</p>		
Name and mailing address of the ISA European Patent Office, P.B. 5818 Patentlaan 2 NL - 2280 HV Rijswijk Tel. (+31-70) 340-2040, Tx. 31 651 epo nl, Fax: (+31-70) 340-3016		Authorized officer <p style="text-align: center; font-weight: bold;">Amghar, N</p>		

INTERNATIONAL SEARCH REPORT

International Application No
PCT/US 02/17321

C.(Continuation) DOCUMENTS CONSIDERED TO BE RELEVANT		
Category °	Citation of document, with indication, where appropriate, of the relevant passages	Relevant to claim No.
X	US 5 217 434 A (ARNEY MICHELLE) 8 June 1993 (1993-06-08) the whole document -----	1, 21, 31, 33
X	US 5 085 636 A (BURNS MATTHEW M) 4 February 1992 (1992-02-04) the whole document -----	1, 21, 31, 33
X	US 6 231 543 B1 (HEGDE ANANT V ET AL) 15 May 2001 (2001-05-15) the whole document -----	1

INTERNATIONAL SEARCH REPORT

International application No.
PCT/US 02/17321

Box I Observations where certain claims were found unsearchable (Continuation of item 1 of first sheet)

This International Search Report has not been established in respect of certain claims under Article 17(2)(a) for the following reasons:

1. Claims Nos.: **26-30**
because they relate to subject matter not required to be searched by this Authority, namely:
Rule 39.1(iv) PCT - Method for treatment of the human or animal body by surgery
2. Claims Nos.:
because they relate to parts of the International Application that do not comply with the prescribed requirements to such an extent that no meaningful International Search can be carried out, specifically:
3. Claims Nos.:
because they are dependent claims and are not drafted in accordance with the second and third sentences of Rule 6.4(a).

Box II Observations where unity of invention is lacking (Continuation of item 2 of first sheet)

This International Searching Authority found multiple inventions in this international application, as follows:

1. As all required additional search fees were timely paid by the applicant, this International Search Report covers all searchable claims.
2. As all searchable claims could be searched without effort justifying an additional fee, this Authority did not invite payment of any additional fee.
3. As only some of the required additional search fees were timely paid by the applicant, this International Search Report covers only those claims for which fees were paid, specifically claims Nos.:
4. No required additional search fees were timely paid by the applicant. Consequently, this International Search Report is restricted to the invention first mentioned in the claims; it is covered by claims Nos.:

Remark on Protest

- The additional search fees were accompanied by the applicant's protest.
- No protest accompanied the payment of additional search fees.

INTERNATIONAL SEARCH REPORT

Information on patent family members

International Application No

PCT/US 02/17321

Patent document cited in search report	Publication date	Patent family member(s)	Publication date	
EP 0371486	A	06-06-1990	US 4932959 A	12-06-1990
			CA 1337040 A1	19-09-1995
			DE 68903160 D1	12-11-1992
			DE 68903160 T2	22-04-1993
			EP 0371486 A1	06-06-1990
			JP 2271874 A	06-11-1990
US 5919162	A	06-07-1999	US 5085636 A	04-02-1992
			US 5454789 A	03-10-1995
			US 5531689 A	02-07-1996
			US 5221260 A	22-06-1993
			US 5035705 A	30-07-1991
US 5531689	A	02-07-1996	US 5454789 A	03-10-1995
			US 5221260 A	22-06-1993
			US 5085636 A	04-02-1992
			US 5032113 A	16-07-1991
			US 5919162 A	06-07-1999
			US 5035705 A	30-07-1991
			US 5484408 A	16-01-1996
			US 5476477 A	19-12-1995
			US 5569201 A	29-10-1996
			US 6090126 A	18-07-2000
US 5217434	A	08-06-1993	CA 2098383 A1	16-04-1993
			EP 0562099 A1	29-09-1993
			JP 6503503 T	21-04-1994
			US 5378238 A	03-01-1995
			WO 9307925 A1	29-04-1993
			US 5338295 A	16-08-1994
US 5085636	A	04-02-1992	US 5454789 A	03-10-1995
			US 5531689 A	02-07-1996
			US 5221260 A	22-06-1993
			US 5919162 A	06-07-1999
			US 5035705 A	30-07-1991
US 6231543	B1	15-05-2001	AU 4464600 A	02-11-2000
			JP 2002541933 T	10-12-2002
			WO 0062852 A1	26-10-2000