



US00D930288S

(12) **United States Design Patent**
Wilhelm

(10) **Patent No.:** **US D930,288 S**

(45) **Date of Patent:** **** Sep. 7, 2021**

(54) **PET TOY**

A63B 2071/0602; A63B 21/0055; A63B 2207/02; A63B 2225/54; A63B 69/0053; A63B 2047/043

(71) Applicant: **Doskocil Manufacturing Company, Inc.**, Arlington, TX (US)

See application file for complete search history.

(72) Inventor: **Josiah Wilhelm**, Columbia Station, OH (US)

(56) **References Cited**

(73) Assignee: **DOSKOCIL MANUFACTURING COMPANY, INC.**, Arlington, TX (US)

U.S. PATENT DOCUMENTS

(**) Term: **15 Years**

| | | | | | | |
|----------|---|---|--------|------------|-------|---------|
| D635,309 | S | * | 3/2011 | Axelrod | | D30/160 |
| D810,364 | S | * | 2/2018 | Wilson | | D30/160 |
| D812,322 | S | * | 3/2018 | Hirschberg | | D30/160 |
| D815,780 | S | * | 4/2018 | Pater | | D30/160 |
| D822,917 | S | * | 7/2018 | Anderson | | D30/160 |
| D856,612 | S | * | 8/2019 | SteinKraus | | D30/160 |

(21) Appl. No.: **29/719,059**

* cited by examiner

(22) Filed: **Dec. 31, 2019**

(51) **LOC (13) Cl.** **30-99**

Primary Examiner — Aula Soroush

(52) **U.S. Cl.**

(74) *Attorney, Agent, or Firm* — Global IP Counselors, LLP

USPC **D30/160**

(58) **Field of Classification Search**

(57) **CLAIM**

USPC D21/398, 400, 402, 412, 415, 426, 436, D21/439, 440, 441, 443, 455, 460-462, D21/466-468, 479, 495, 563, 656, 712, D21/713, 788, 799.1, 470, 681; D24/211, D24/214, 215, 193-195; D30/108-120, D30/158-161; D1/125-127

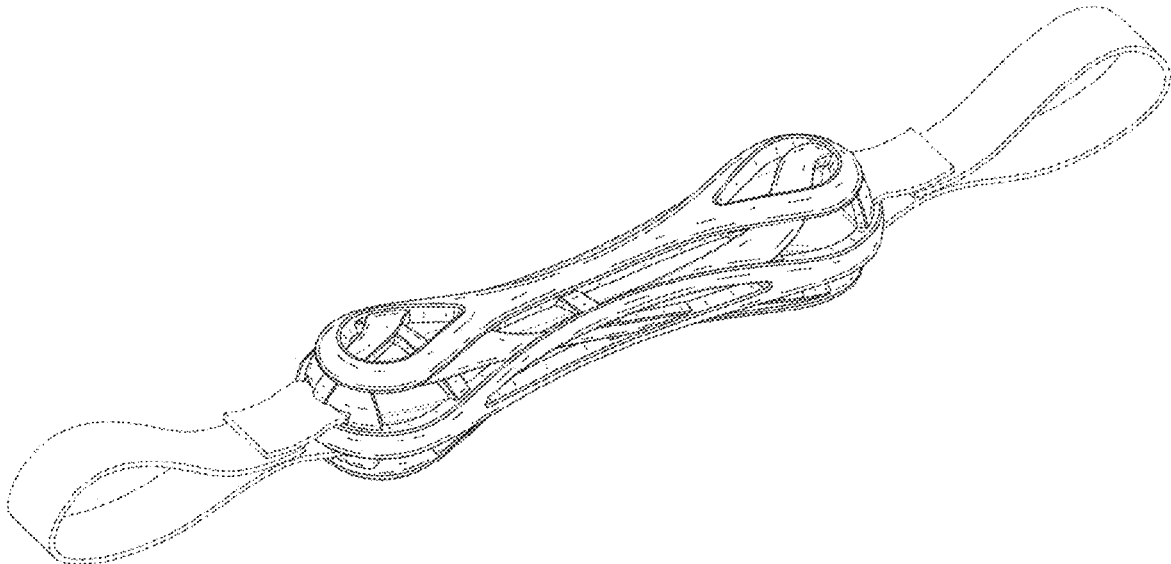
The ornamental design for a pet toy, as shown and described.

CPC A63H 5/00; A63H 33/26; A63H 33/18; A63H 29/22; A63H 29/24; A63H 2200/00; A63H 11/00; A63H 13/00; A63H 18/02; A63H 18/14; A63H 18/16; A63H 29/00; A63H 33/009; A63H 33/22; A63H 33/3055; A63H 3/003; A63H 3/006; A63H 3/008; A63H 3/24; A63H 3/28; A63H 3/31; A63H 3/36; A63H 9/00; A63B 59/20; A63B 69/406; A63B 47/04; A63B 2220/51; A63B 2220/53; A63B 2220/56; A63B 2220/805; A63B 2071/0625; A63B 2071/063; A63B 2220/17; A63B 2220/18; A63B 2220/40; A63B 2220/803; A63B 2220/833; A63B 43/004; A63B 43/06; A63B 71/0622;

DESCRIPTION

FIG. 1 is a top perspective view of a pet toy in accordance with my new design;
FIG. 2 is a bottom perspective view thereof;
FIG. 3 is a top plan view thereof;
FIG. 4 is a bottom plan view thereof;
FIG. 5 is a left side elevation view thereof;
FIG. 6 is a right side elevation view thereof;
FIG. 7 is a front elevation view thereof; and,
FIG. 8 is a rear elevation view thereof.
The broken lines in the drawings illustrate portions of the pet toy that form no part of the claimed design.

1 Claim, 5 Drawing Sheets



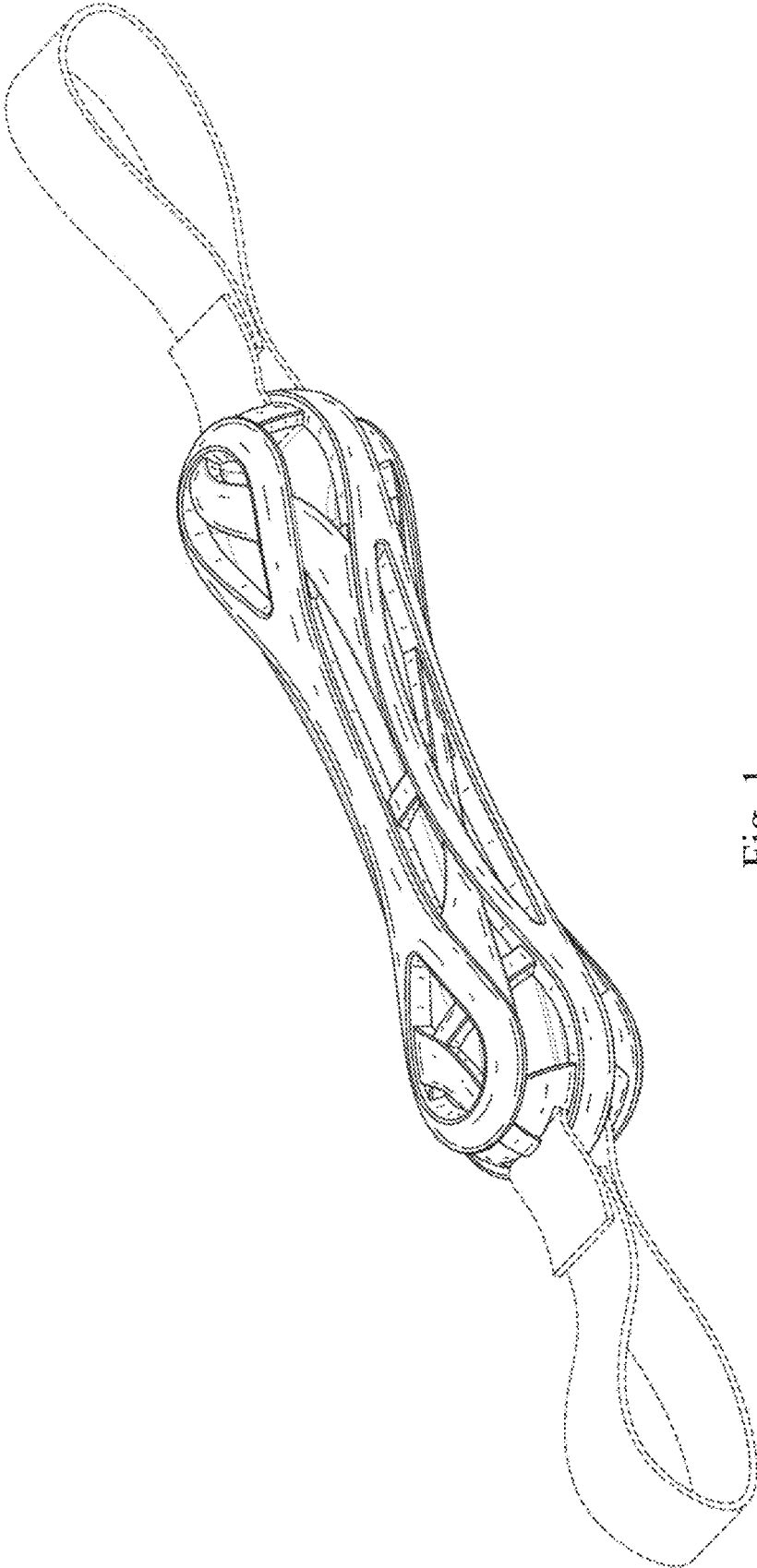


Fig. 1

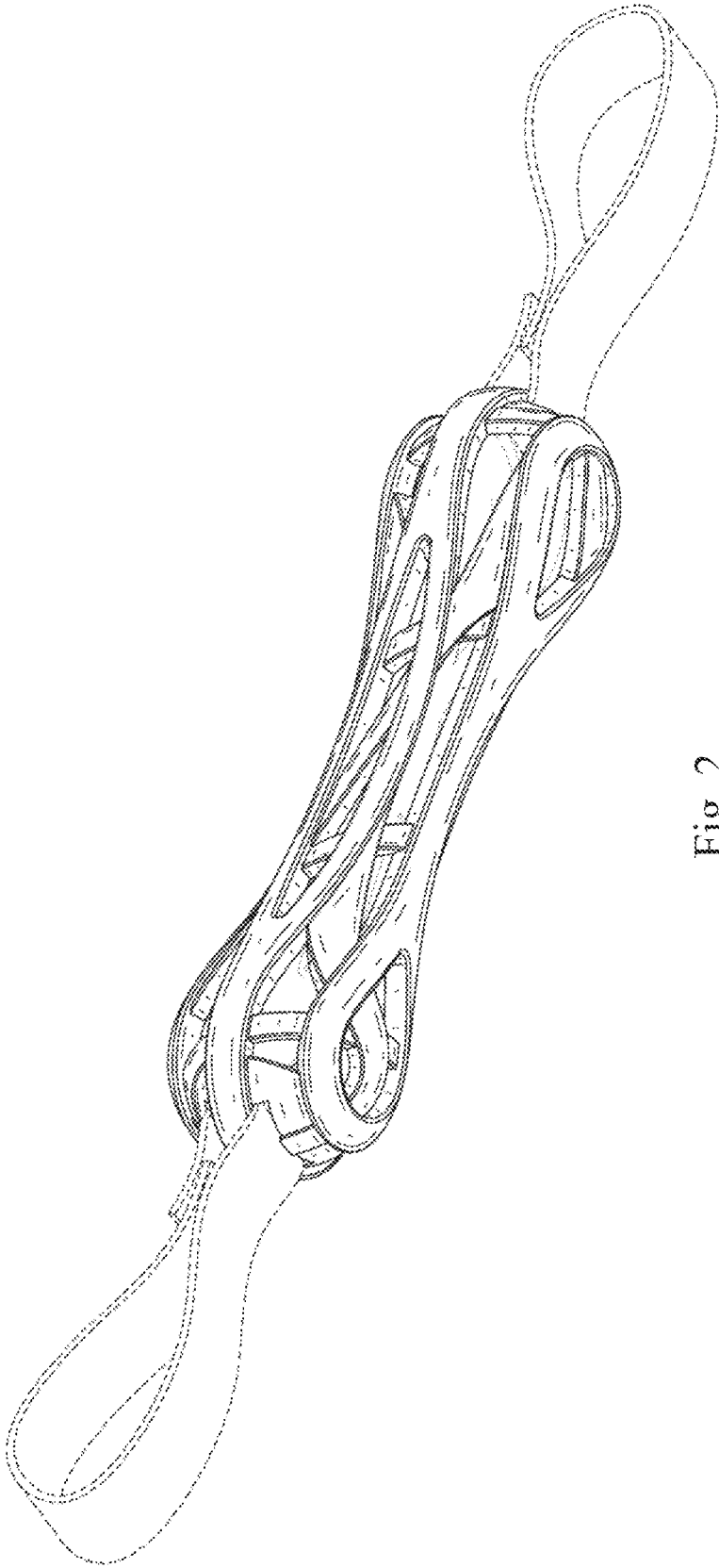


Fig. 2

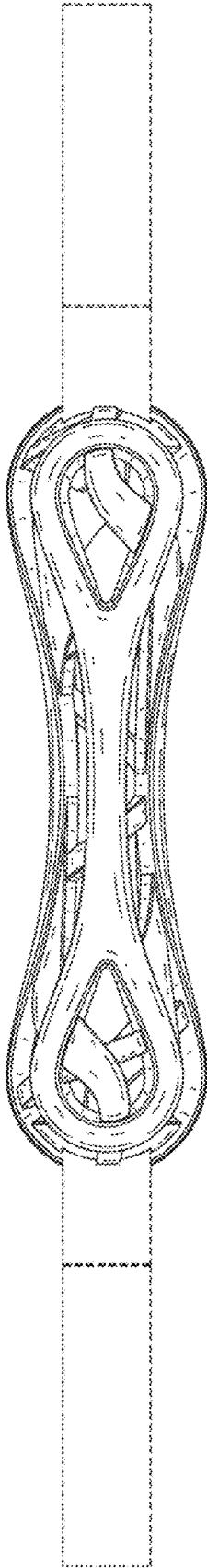


Fig. 3

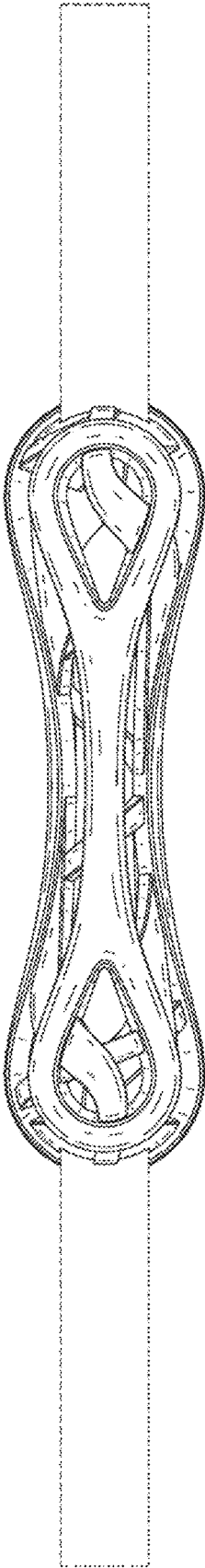


Fig. 4

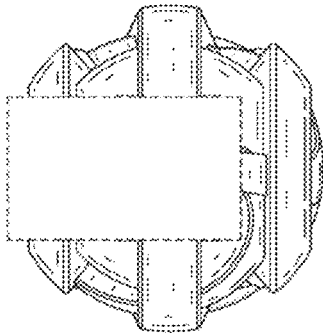


Fig. 5

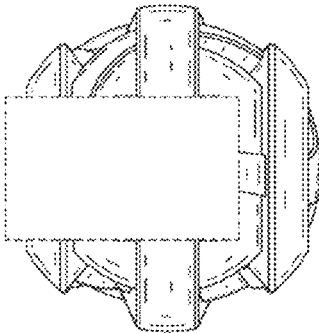


Fig. 6

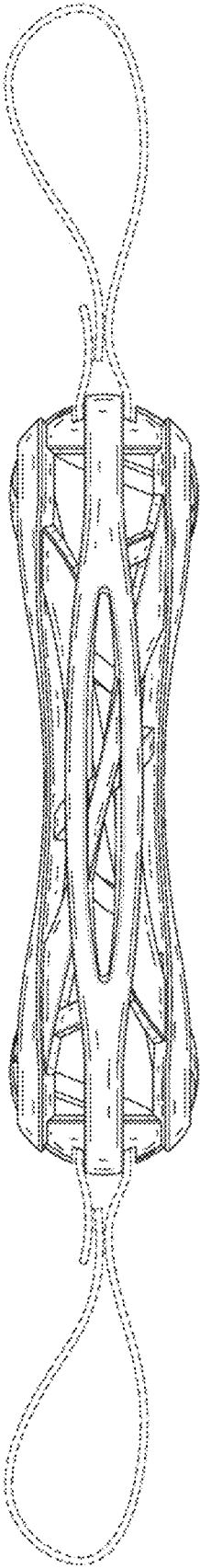


Fig. 7

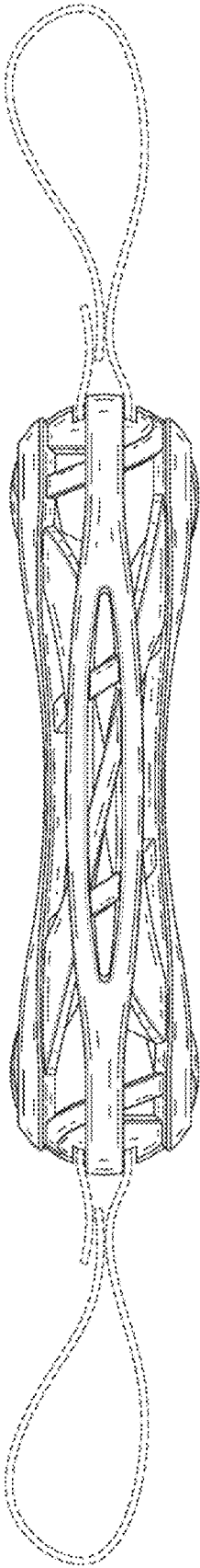


Fig. 8