



US00D805083S

(12) **United States Design Patent**  
**Hamra**

(10) **Patent No.:** **US D805,083 S**

(45) **Date of Patent:** **\*\* Dec. 12, 2017**

(54) **UNIVERSAL SLING MOUNT ATTACHMENT**

(71) Applicant: **RED STREET VENTURES, LLC,**  
Austin, TX (US)

(72) Inventor: **Andrew Hamra,** Austin, TX (US)

(73) Assignee: **Red Street Ventures LLC,** Austin, TX  
(US)

(\*\*) Term: **15 Years**

(21) Appl. No.: **29/570,391**

(22) Filed: **Jul. 7, 2016**

(51) **LOC (10) Cl.** ..... **08-07**

(52) **U.S. Cl.**

USPC ..... **D14/447**

(58) **Field of Classification Search**

USPC ..... D14/447, 432, 434, 439, 440, 451, 452,  
D14/457, 239; D8/363, 373, 380, 406.3,  
D8/406.4, 406.5, 406.6; D12/415

CPC ..... A47B 21/04; A47B 2097/006; A47B  
2097/005; A47B 2023/049; A45C  
2011/002; A45C 2011/003; F16M  
2200/00; F16M 13/00

See application file for complete search history.

(56) **References Cited**

**U.S. PATENT DOCUMENTS**

D484,778 S \* 1/2004 French ..... D8/373  
D556,027 S \* 11/2007 Cuzzocrea ..... D8/373

D616,732 S \* 6/2010 Brockington ..... D8/373  
D694,219 S \* 11/2013 Parraga Gimeno ..... D14/217  
D748,099 S \* 1/2016 Heid ..... D14/447  
D749,596 S \* 2/2016 Khodapanah ..... D14/447  
D750,612 S \* 3/2016 Chen ..... D14/253  
D752,597 S \* 3/2016 Girault ..... D14/447  
D765,549 S \* 9/2016 Khodapanah ..... D12/114  
D784,354 S \* 4/2017 Abreu ..... D14/447  
D784,997 S \* 4/2017 Cheng ..... D14/447  
D785,638 S \* 5/2017 Hsu ..... D14/447

\* cited by examiner

*Primary Examiner* — Angela J Lee

(74) *Attorney, Agent, or Firm* — Kramer Amado, P.C.

(57) **CLAIM**

The ornamental design for the universal sling mount attachment, as shown and described.

**DESCRIPTION**

FIG. 1 is a front perspective view of a universal sling mount attachment;

FIG. 2 is a rear perspective view thereof;

FIG. 3 is a front elevation view thereof;

FIG. 4 is a rear elevation view thereof;

FIG. 5 is a left side elevation view thereof;

FIG. 6 is a right side elevation view thereof;

FIG. 7 is a top plan view thereof;

FIG. 8 is a bottom plan view thereof; and,

FIG. 9 is an exploded front perspective view thereof.

Portions shown as broken lines are for illustrative purposes only and form no part of the claimed design.

**1 Claim, 4 Drawing Sheets**

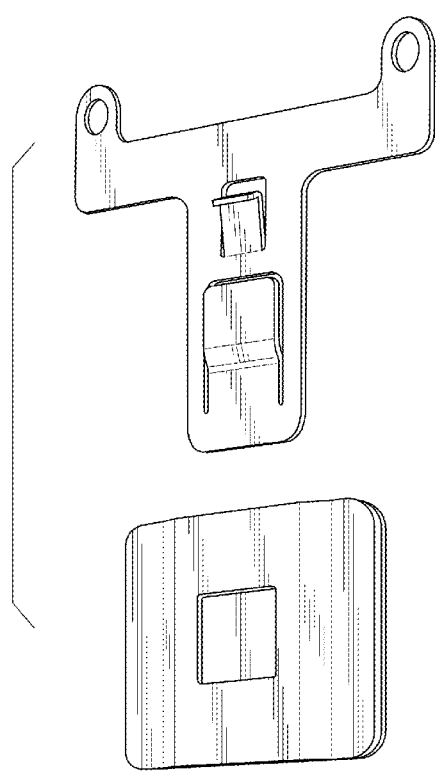
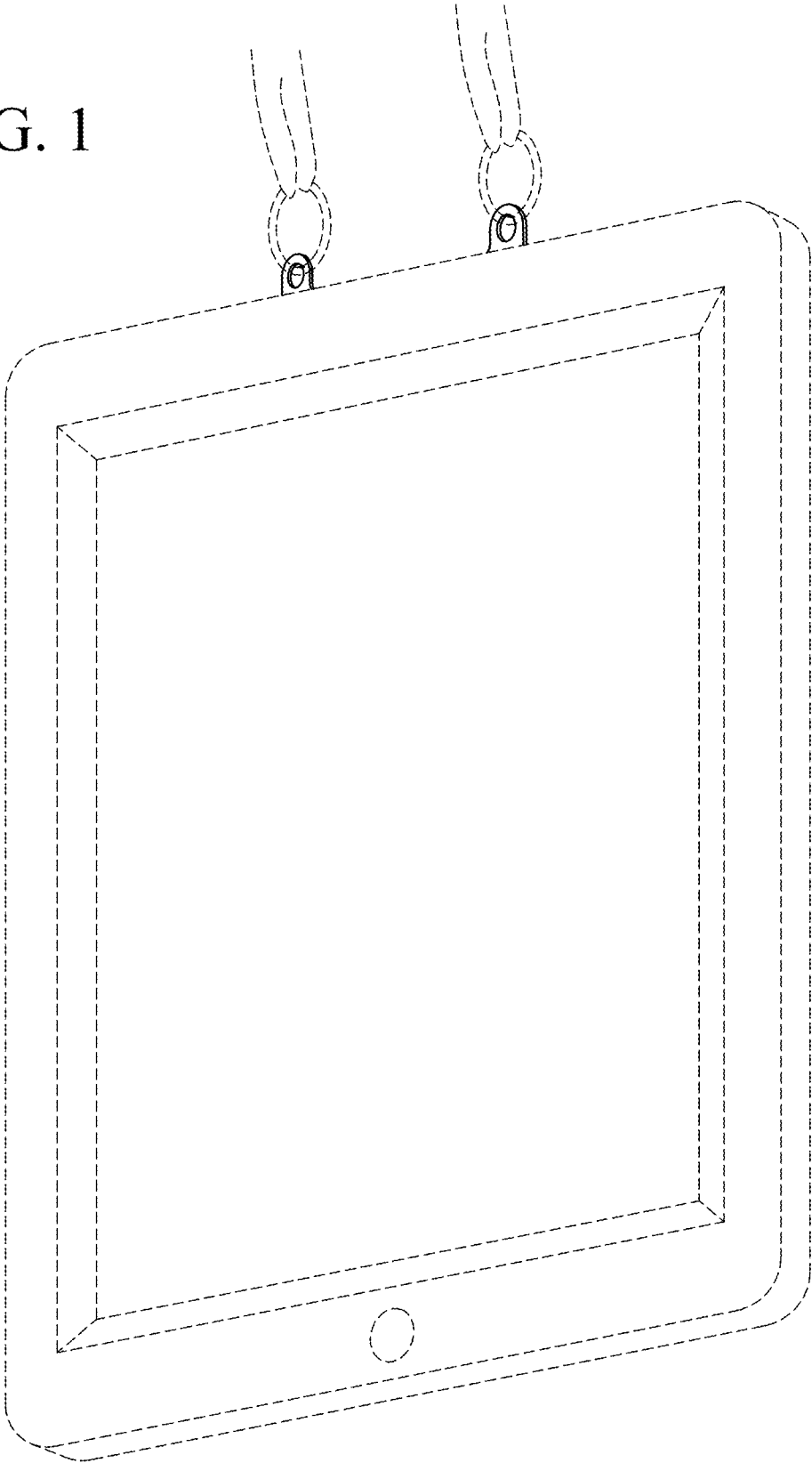


FIG. 1



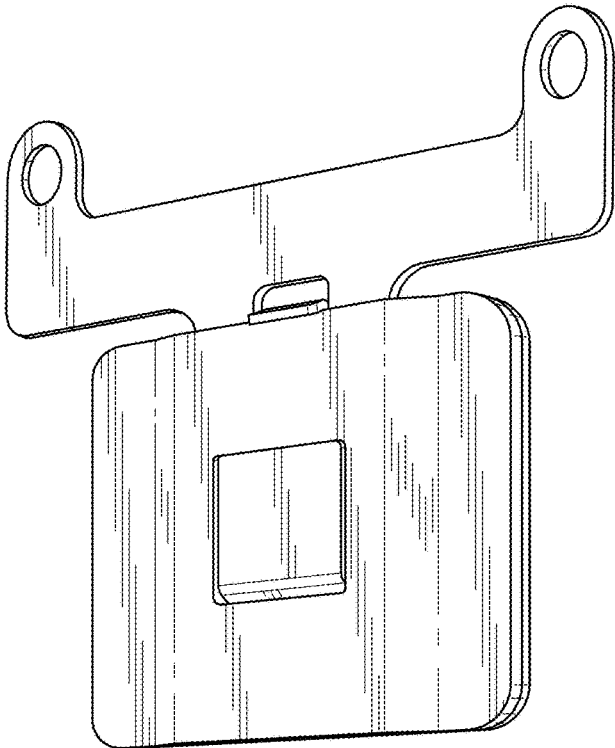


FIG. 2

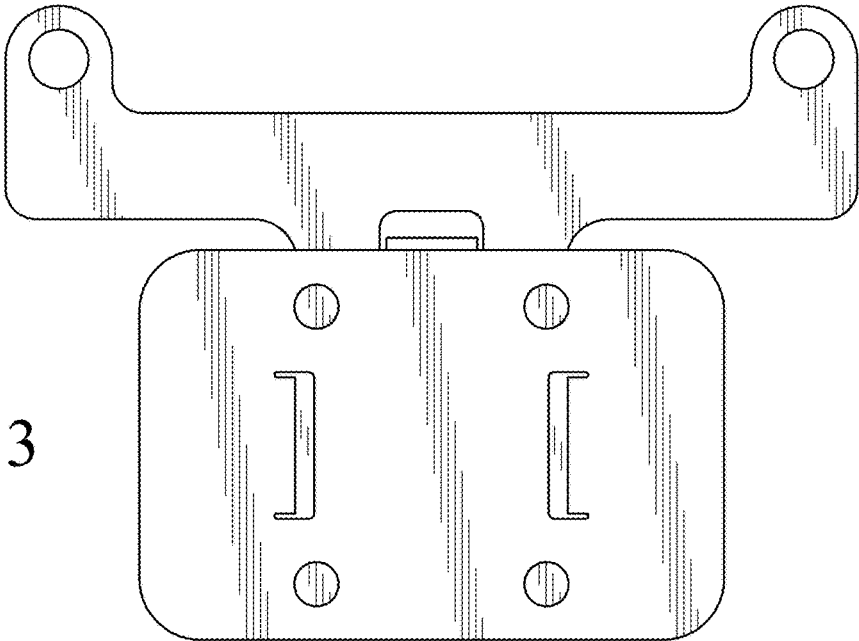


FIG. 3

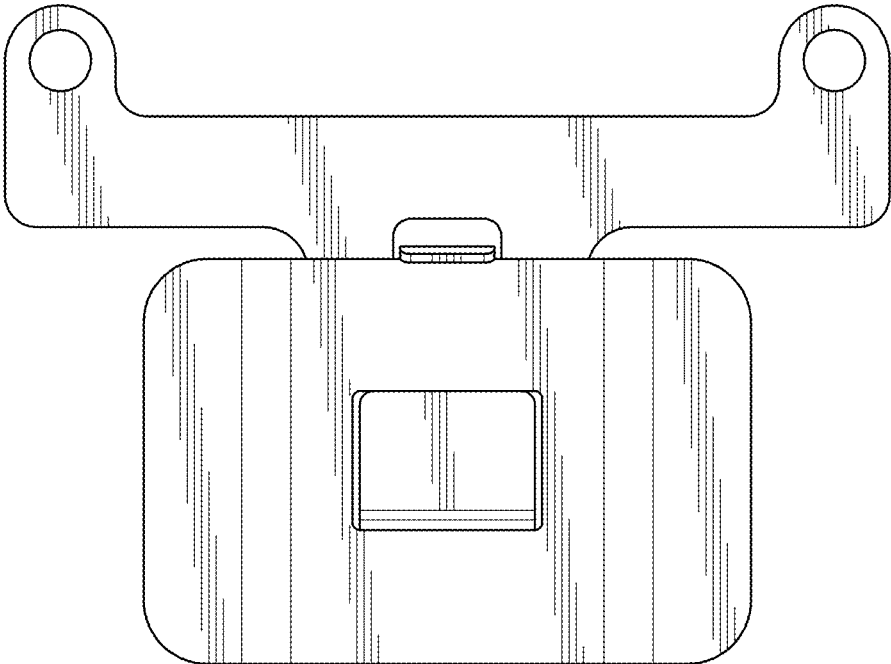


FIG. 4

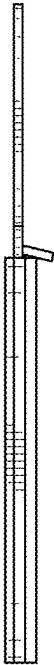


FIG. 5



FIG. 6

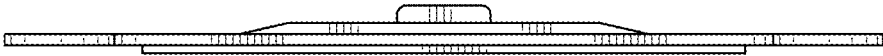


FIG. 7

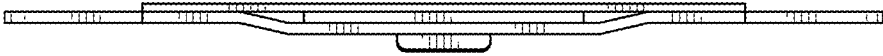


FIG. 8

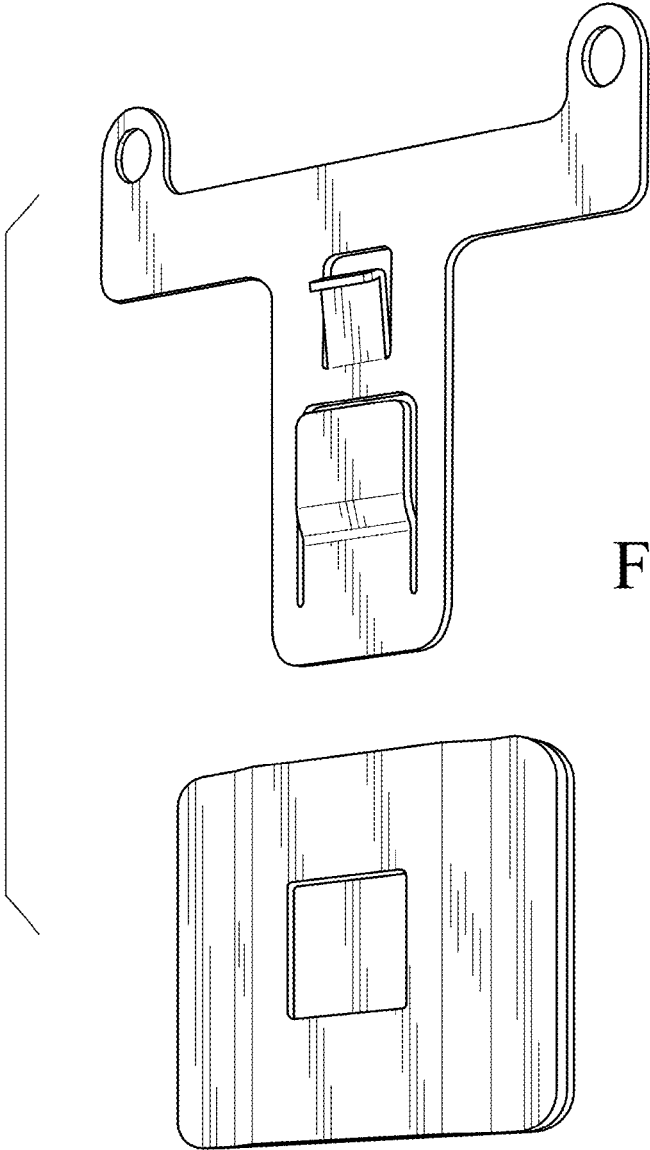


FIG. 9