

(19) World Intellectual Property Organization
International Bureau



(43) International Publication Date
30 May 2002 (30.05.2002)

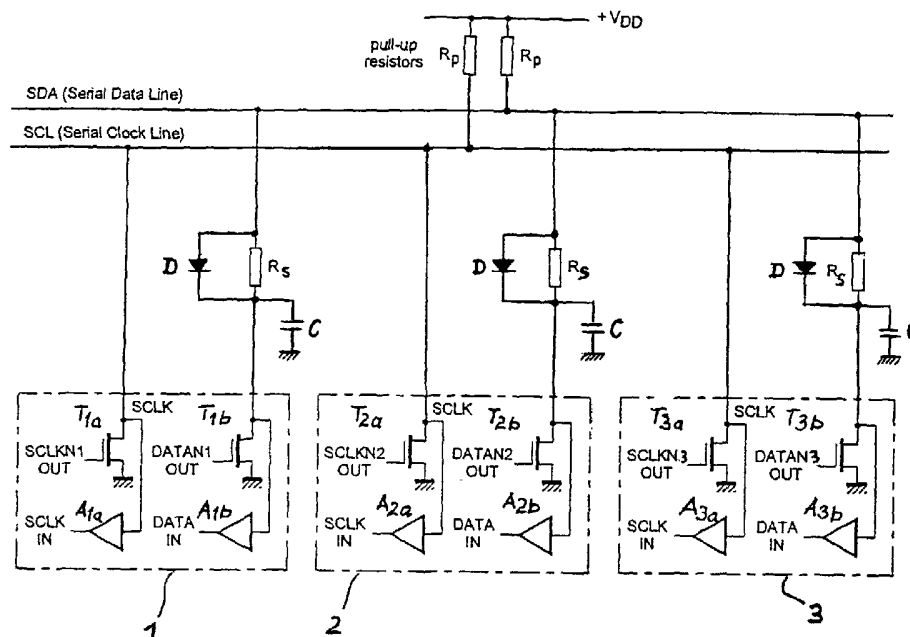
PCT

(10) International Publication Number
WO 02/042916 A3

- (51) International Patent Classification⁷: **G06F 13/40**
 - (21) International Application Number: PCT/EP01/13343
 - (22) International Filing Date:
19 November 2001 (19.11.2001)
 - (25) Filing Language: English
 - (26) Publication Language: English
 - (30) Priority Data:
100 58 793.3 27 November 2000 (27.11.2000) DE
 - (71) Applicants (for all designated States except US): **THOMSON LICENSING S.A.** [FR/FR]; 46 Quai A. le Gallo, F-92100 Boulogne-Billancourt (FR). **ARMBRUSTER, Veit** [DE/DE]; Engleweg 5, 78112 St. Georgen (DE).
 - (72) Inventor; and
 - (75) Inventor/Applicant (for US only): **SELZ, Alfred** [DE/DE]; Hoelderlinstr. 39, 78652 Deisslingen (DE).
 - (74) Agent: **THIES, Stephan**; Deutsche Thomson-Brandt GmbH, European Patent Operations, Karl-Wiechert-Allee 74, 30625 Hannover (DE).
 - (81) Designated States (national): AE, AG, AL, AM, AU, AZ, BA, BB, BG, BR, BY, BZ, CA, CN, CO, CR, CU, CZ, DM, DZ, EC, EE, GD, GE, HR, HU, ID, IL, IN, IS, JP, KG, KP, KR, KZ, LC, LK, LR, LT, LV, MA, MD, MG, MK, MN, MX, NO, NZ, PH, PL, RO, RU, SG, SI, SK, TJ, TM, TT, UA, US, UZ, VN, YU, ZA.
 - (84) Designated States (regional): ARIPO patent (GH, GM, KE, LS, MW, MZ, SD, SL, SZ, TZ, UG, ZM, ZW), Eurasian patent (AM, AZ, BY, KG, KZ, MD, RU, TJ, TM), European patent (AT, BE, CH, CY, DE, DK, ES, FI, FR, GB, GR, IE, IT, LU, MC, NL, PT, SE, TR), OAPI patent (BF, BJ, CF, CG, CI, CM, GA, GN, GQ, GW, ML, MR, NE, SN, TD, TG).
- Published: — with international search report

[Continued on next page]

(54) Title: DATA BUS



(57) Abstract: In apparatuses (1, 2, 3) controlled or operated via an I2C bus, it may be necessary to take measures to suppress interference signals at the data signal input/output of the respective apparatus without impairing the data transport at the same time. The data line (SDA) at the data signal input/output contains an RC element (RS, C), in the form of a low-pass filter, with a diode (D) connected in parallel with the RC element (RS, C), the low-pass filter action allowing said arrangement to be used to suppress interference signals acting on the data signal input/output, and, secondly, the transmissive action of the diode (D) meaning that said arrangement does not impair a data signal (ACK) leaving the data signal input/output.

WO 02/042916 A3



(88) Date of publication of the international search report:
20 March 2003

For two-letter codes and other abbreviations, refer to the "Guidance Notes on Codes and Abbreviations" appearing at the beginning of each regular issue of the PCT Gazette.

INTERNATIONAL SEARCH REPORT

International Application No
PCT/EP 01/13343

A. CLASSIFICATION OF SUBJECT MATTER
IPC 7 G06F13/40

According to International Patent Classification (IPC) or to both national classification and IPC

B. FIELDS SEARCHED

Minimum documentation searched (classification system followed by classification symbols)
IPC 7 G06F H03K

Documentation searched other than minimum documentation to the extent that such documents are included in the fields searched

Electronic data base consulted during the international search (name of data base and, where practical, search terms used)

EPO-Internal, WPI Data, PAJ

C. DOCUMENTS CONSIDERED TO BE RELEVANT

Category *	Citation of document, with indication, where appropriate, of the relevant passages	Relevant to claim No.
A	US 6 040 968 A (AMERASEKERA E AJITH ET AL) 21 March 2000 (2000-03-21) abstract	1-3
A	WO 99 31598 A (TESTIN WILLIAM JOHN ;TULTS JURI (US); THOMSON CONSUMER ELECTRONICS) 24 June 1999 (1999-06-24) page 4, line 13 -page 5, line 19 abstract; figures 1,2	1-3
A	PATENT ABSTRACTS OF JAPAN vol. 1999, no. 13, 30 November 1999 (1999-11-30) & JP 11 234158 A (SHARP CORP), 27 August 1999 (1999-08-27) abstract	1-3

Further documents are listed in the continuation of box C.

Patent family members are listed in annex.

° Special categories of cited documents :

- *A* document defining the general state of the art which is not considered to be of particular relevance
- *E* earlier document but published on or after the international filing date
- *L* document which may throw doubts on priority claim(s) or which is cited to establish the publication date of another citation or other special reason (as specified)
- *O* document referring to an oral disclosure, use, exhibition or other means
- *P* document published prior to the international filing date but later than the priority date claimed

- *T* later document published after the international filing date or priority date and not in conflict with the application but cited to understand the principle or theory underlying the invention
- *X* document of particular relevance; the claimed invention cannot be considered novel or cannot be considered to involve an inventive step when the document is taken alone
- *Y* document of particular relevance; the claimed invention cannot be considered to involve an inventive step when the document is combined with one or more other such documents, such combination being obvious to a person skilled in the art.
- * & * document member of the same patent family

Date of the actual completion of the international search

18 December 2002

Date of mailing of the international search report

30/12/2002

Name and mailing address of the ISA

European Patent Office, P.B. 5816 Patentlaan 2
NL - 2280 HV Rijswijk
Tel. (+31-70) 340-2040, Tx. 31 651 epo nl,
Fax: (+31-70) 340-3016

Authorized officer

Nguyen Xuan Hiep, C

INTERNATIONAL SEARCH REPORT

Information on patent family members

International Application No PCT/EP 01/13343

Patent document cited in search report	A	Publication date	Patent family member(s)	Publication date
US 6040968	A	21-03-2000	NONE	
WO 9931598	A	24-06-1999	WO 9931598 A1	24-06-1999
			AU 5530598 A	05-07-1999
			EP 1071998 A1	31-01-2001
			JP 2002508645 T	19-03-2002
JP 11234158	A	27-08-1999	NONE	