



US00D899804S

(12) **United States Design Patent** (10) **Patent No.:** **US D899,804 S**
Carter (45) **Date of Patent:** **** Oct. 27, 2020**

- (54) **BED WITH HEADBOARD**
- (71) Applicant: **Blu Dot Design & Manufacturing, Inc.**, Minneapolis, MN (US)
- (72) Inventor: **Michael Carter**, Bloomington, MN (US)
- (73) Assignee: **Blu Dot Design & Manufacturing, Inc.**, Minneapolis, MN (US)
- (**) Term: **15 Years**
- (21) Appl. No.: **29/682,446**
- (22) Filed: **Mar. 5, 2019**
- (51) **LOC (12) Cl.** **06-02**
- (52) **U.S. Cl.**
USPC **D6/393**
- (58) **Field of Classification Search**
USPC D6/382-384, 393-395, 718.13, 718.22, D6/718.23, 718.24
CPC A47C 19/00; A47C 19/005; A47C 19/021; A47C 19/022
See application file for complete search history.

Blu Dot Catalog No. 17, Designed in Minneapolis, Minnesota, published 2015, 52 pgs.
 Blu Dot Catalog No. 18, Designed in Minneapolis, Minnesota, published 2016, 51 pgs.
 Blu Dot Catalog No. 19, Designed in Minneapolis, Minnesota, published 2016, 54 pgs.
 Blu Dot Catalog No. 21, Cat 17F-Book A, Designed in Minneapolis, Minnesota, Applicant believes reference was published and available more than one year prior to the filing date of the instant application, 51 pgs.

(Continued)

Primary Examiner — Cathron C Brooks
 (74) *Attorney, Agent, or Firm* — Fredrikson & Byron, P.A.

(57) **CLAIM**

Applicant claims the ornamental design for a bed with headboard, as shown and described.

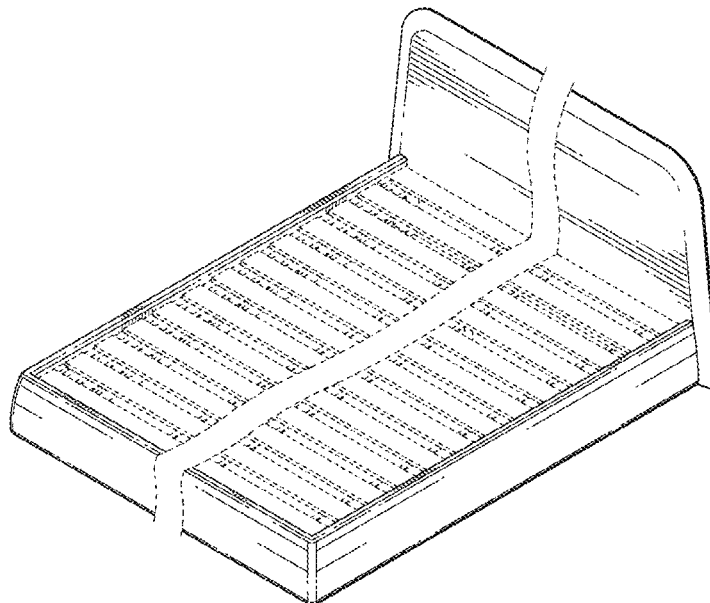
DESCRIPTION

FIG. 1 is a front upper perspective view of a bed with headboard of Applicant's design;
 FIG. 2 is a first side elevational view thereof, the second side elevational view opposite the first side elevational view and being a mirror image thereof;
 FIG. 3 is a front elevational view thereof;
 FIG. 4 is a rear elevational view thereof;
 FIG. 5 is a top plan view thereof; and,
 FIG. 6 is a bottom plan view thereof.
 Where included, broken lines showing environment or structure are for illustrative purposes only and form no part of the claimed design.
 The appearance of any portion of the bed with headboard between the break lines forms no part of the claimed design.

- (56) **References Cited**
- U.S. PATENT DOCUMENTS
- D450,471 S * 11/2001 Dordoni D6/393
- D450,472 S * 11/2001 Dordoni D6/393
- D453,639 S * 2/2002 Dordoni D6/393
- D505,563 S * 5/2005 Hutton D6/393
- D644,851 S * 9/2011 Colombo D6/393
- D717,064 S * 11/2014 Jourdan D6/393
- D846,910 S * 4/2019 Vorraber D6/393
- D876,118 S * 2/2020 Bellini D6/393
- D878,799 S * 3/2020 Bernhardt D6/393
- OTHER PUBLICATIONS

Blu Dot Catalog No. 16, Designed in Minneapolis, Minnesota, published 2015, 44 pgs.

1 Claim, 6 Drawing Sheets



(56)

References Cited

OTHER PUBLICATIONS

Blu Dot Catalog No. 21, Cat 17F-Book B, Designed in Minneapolis, Minnesota, Applicant believes reference was published and available more than one year prior to the filing date of the instant application, 51 pgs.

Blu Dot Catalog No. 22, Cat 18S-Book B, Designed in Minneapolis, Minnesota, Applicant believes reference was published and available more than one year prior to the filing date of the instant application, 33 pgs.

Blu Dot Catalog No. 22, Cat18Sm_RGB, Designed in Minneapolis, Minnesota, Applicant believes reference was published and available more than one year prior to the filing date of the instant application, 33 pgs.

* cited by examiner

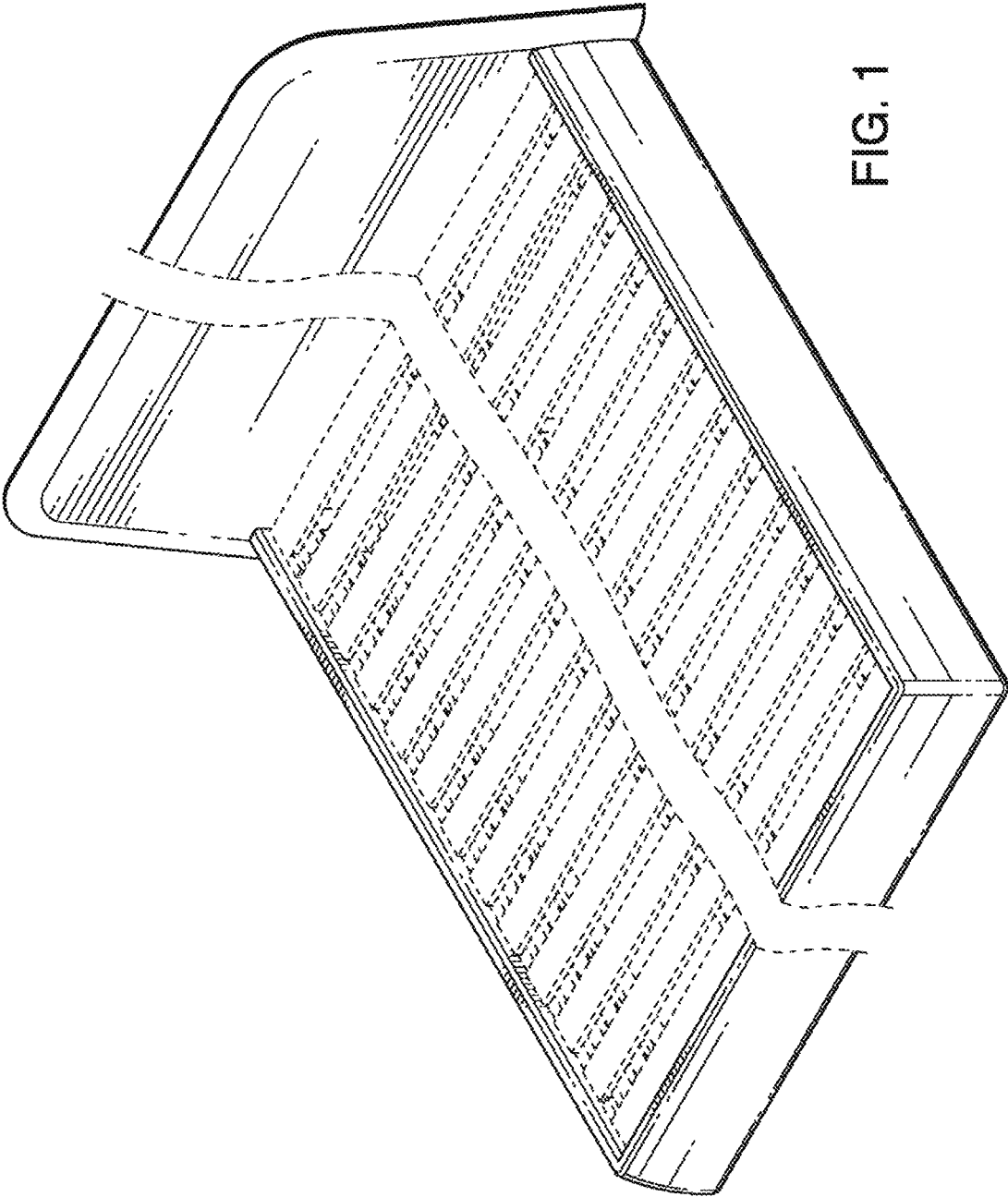


FIG. 1

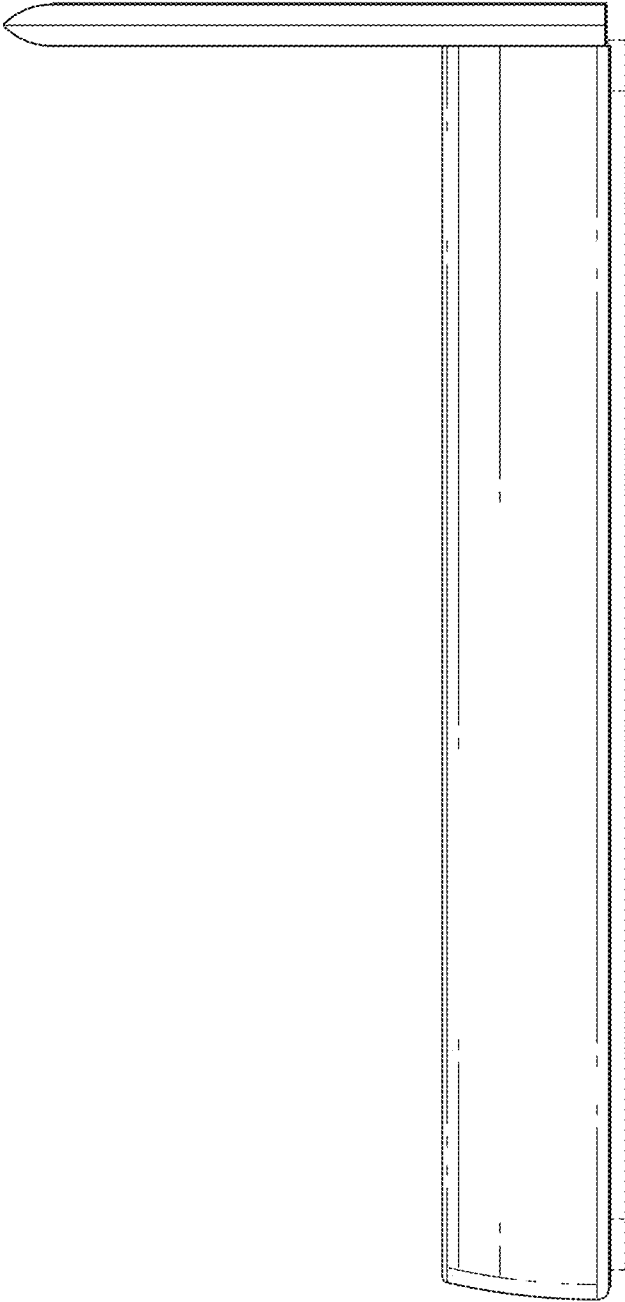


FIG. 2

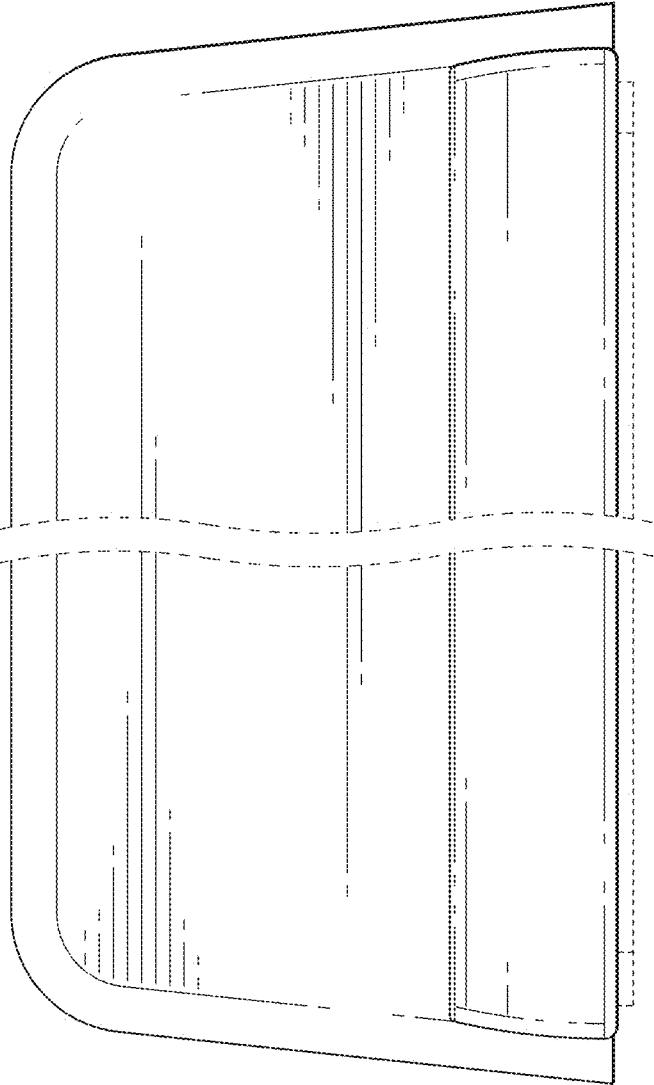


FIG. 3

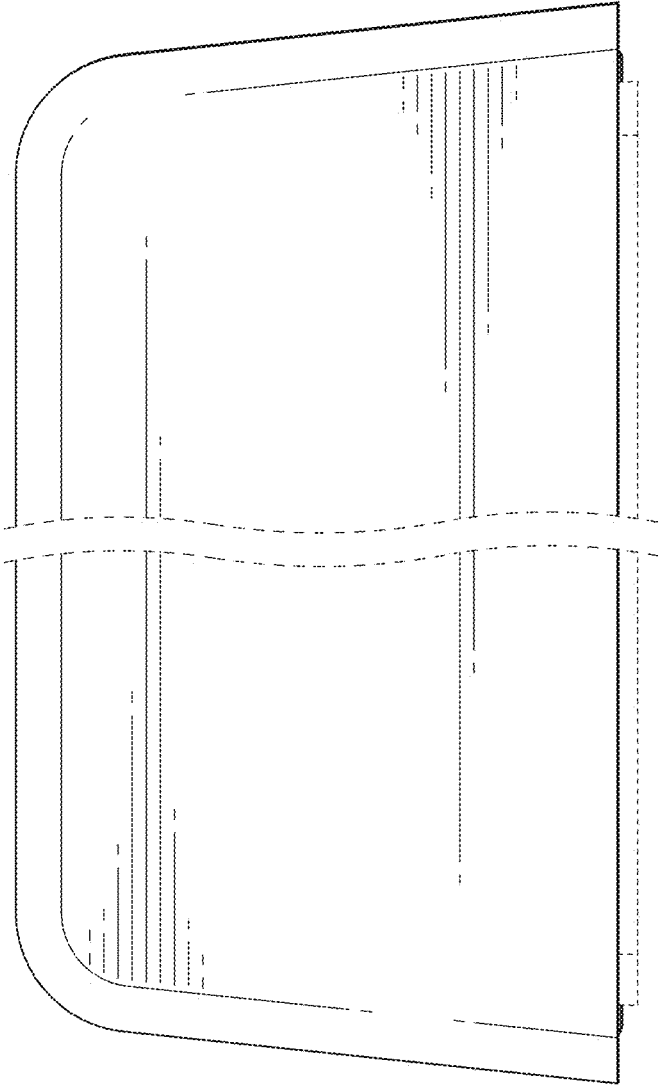


FIG. 4

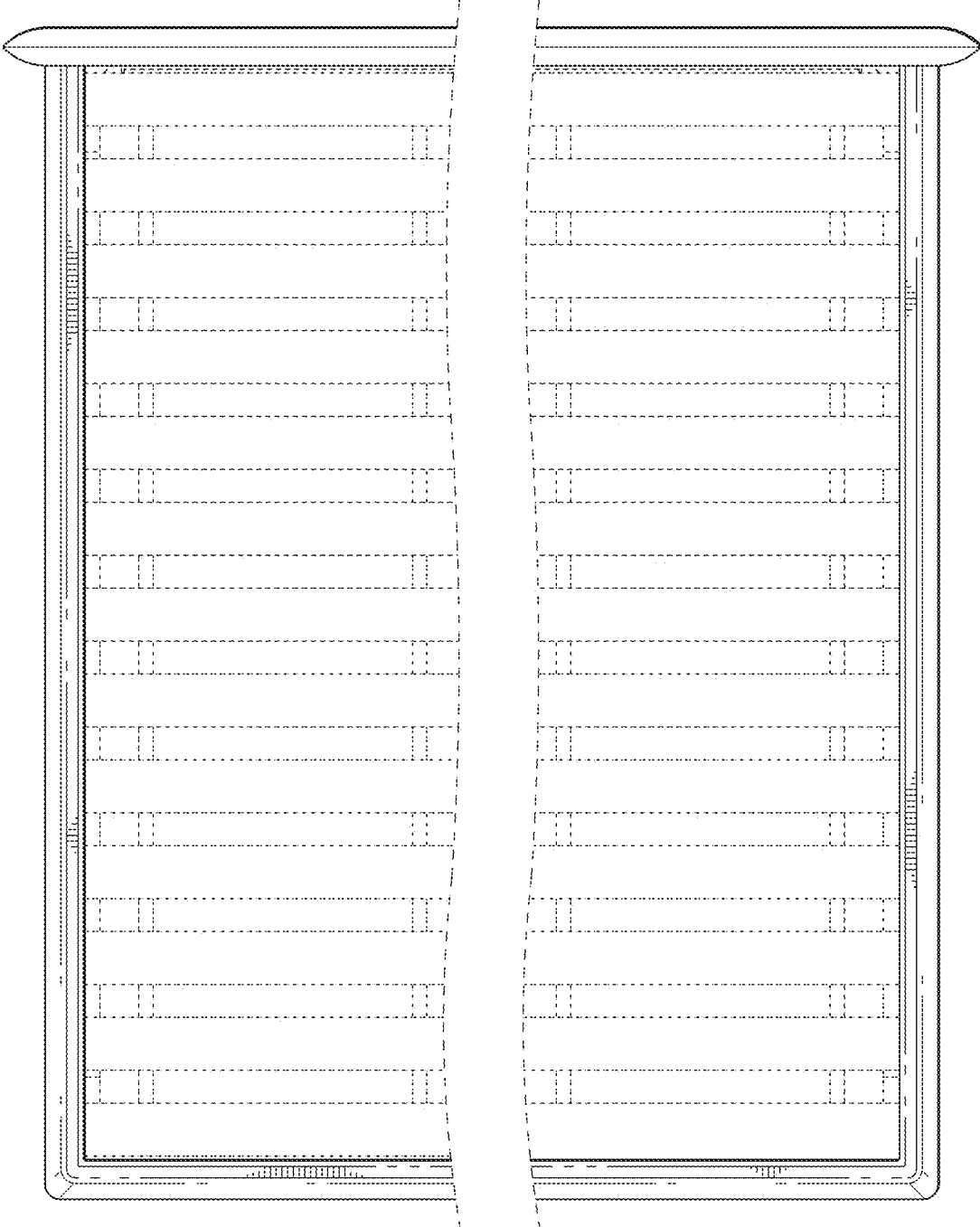


FIG. 5

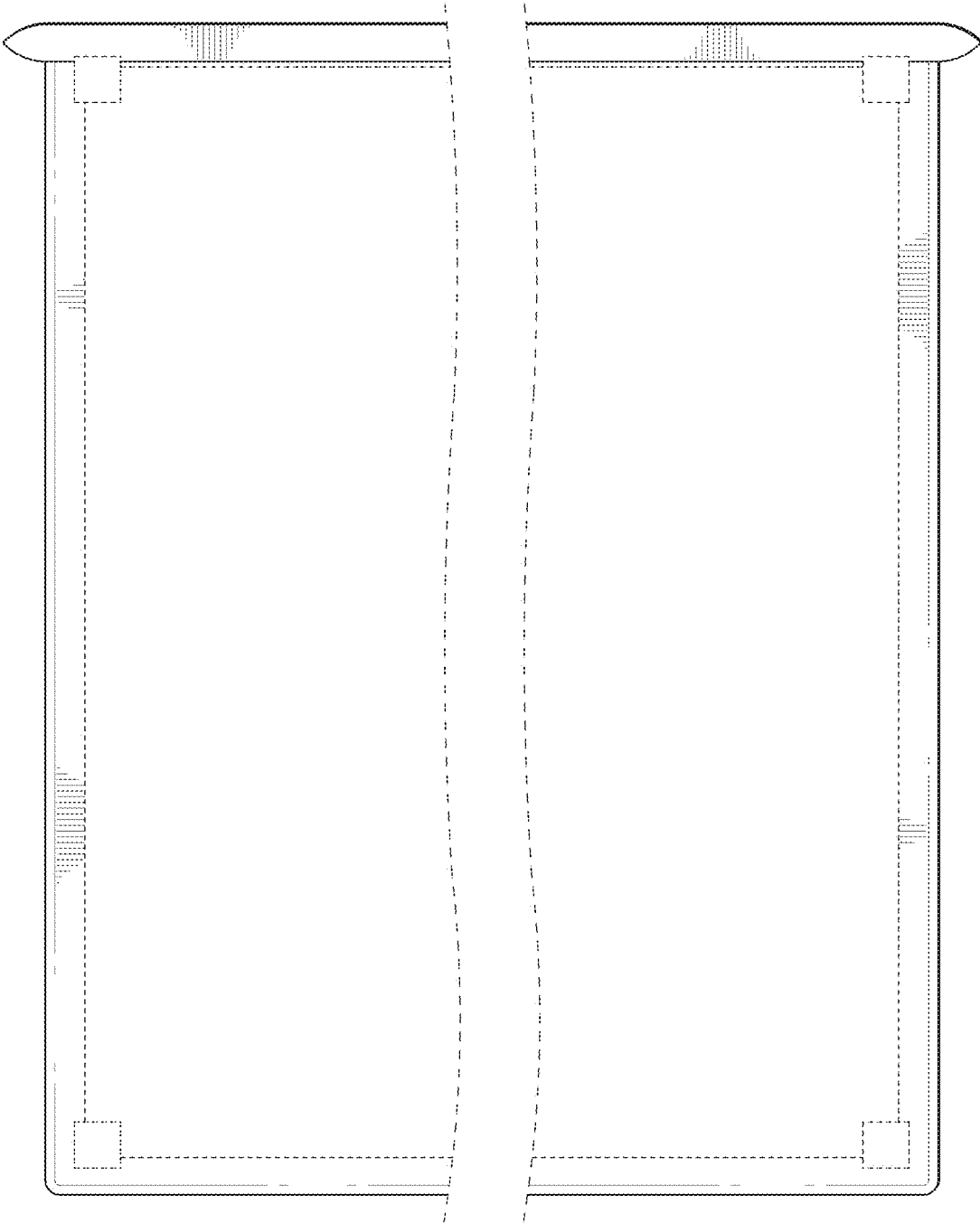


FIG. 6