



US00D425010S

# United States Patent [19]

[11] Patent Number: **Des. 425,010**

**Lowe**

[45] Date of Patent: **\*\* May 16, 2000**

[54] **AUTOMOBILE BRA WITH FOOTBALL HELMET DESIGN**

4,997,229 3/1991 Swanson ..... 296/136  
5,158,324 10/1992 Flesher ..... 280/770

[75] Inventor: **Mary Lowe**, Lee's Summit, Mo.

### OTHER PUBLICATIONS

[73] Assignee: **William Joseph Morehouse**, Blair, Nebr.; a part interest

J.C. Whitney & Co. catalog, No. 580-2C, p. 60 for multipiece breathable vinyl bras, exact publication date unknown, but at least one year prior to the filing of the present application.

[\*\*] Term: **14 Years**

*Primary Examiner*—Melody N. Brown  
*Attorney, Agent, or Firm*—Litman, Kraai & Brown L.L.C.

[21] Appl. No.: **29/104,855**

[22] Filed: **May 13, 1999**

### [57] CLAIM

### Related U.S. Application Data

The ornamental design for an automobile bra with football helmet design, as shown and described.

[63] Continuation-in-part of application No. 29/077,263, Sep. 30, 1997, abandoned.

### DESCRIPTION

[51] **LOC (7) Cl.** ..... **12-16**

FIG. 1 is a front and right side perspective view of an automobile bra with football helmet design, the portions of the vehicle shown in broken lines are for illustrative purposes only and form no part of the claimed design; FIG. 2 is a front elevational view thereof; FIG. 3 is a left side elevational view thereof; and, FIG. 4 is a top plan view thereof.

[52] **U.S. Cl.** ..... **D12/216; D12/196; D12/173**

[58] **Field of Search** ..... D12/216, 173, D12/181, 196, 167, 169, 400; D29/15; 296/136, 95.1; 280/770, 850; 293/128; 428/100, 423.1, 900

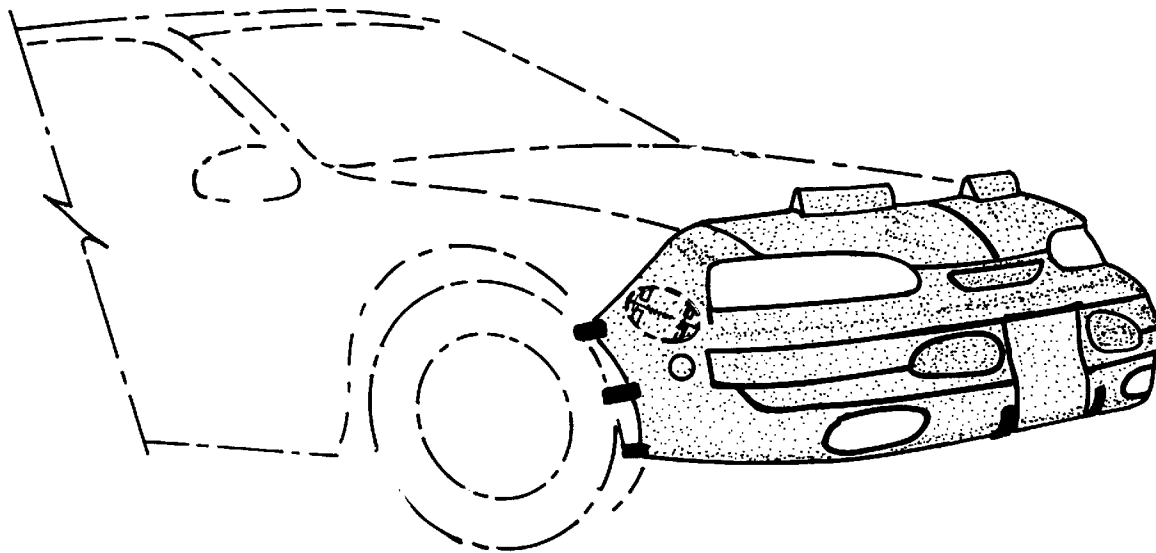
No illustration of the bottom of the automobile bra with football helmet design is provided since the bottom view is plain and has no design significance.

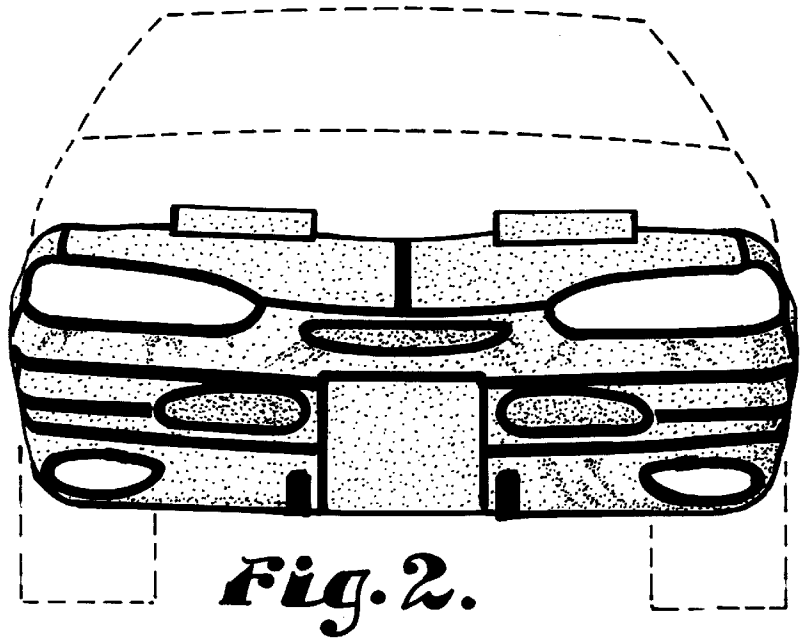
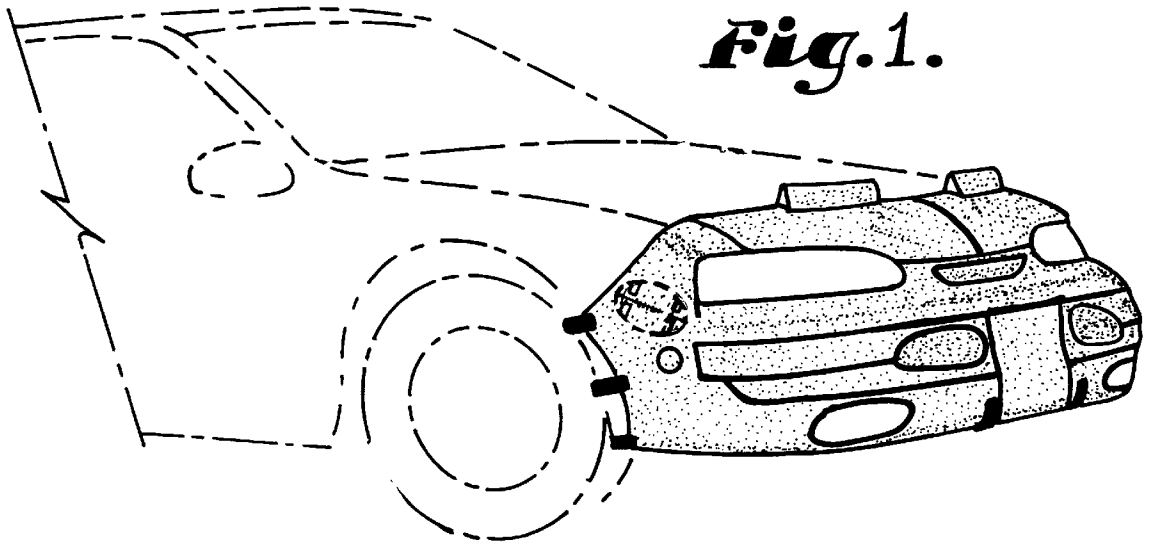
### [56] References Cited

#### U.S. PATENT DOCUMENTS

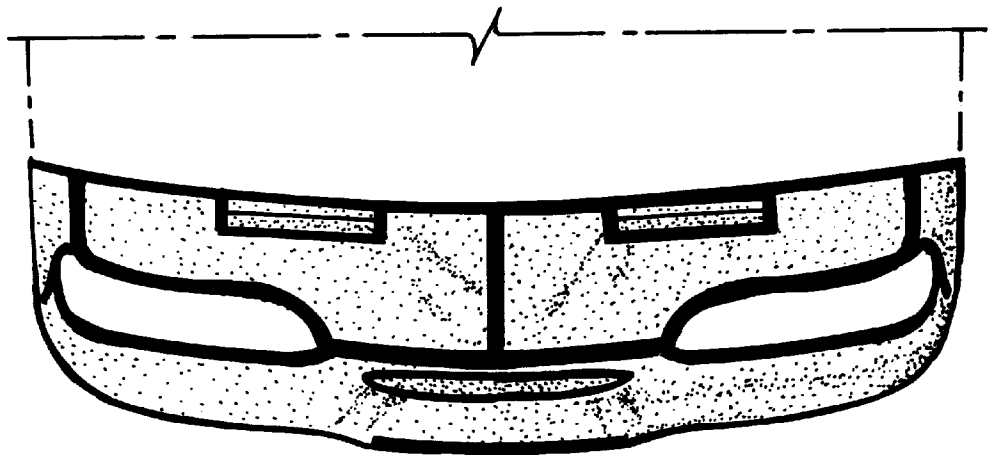
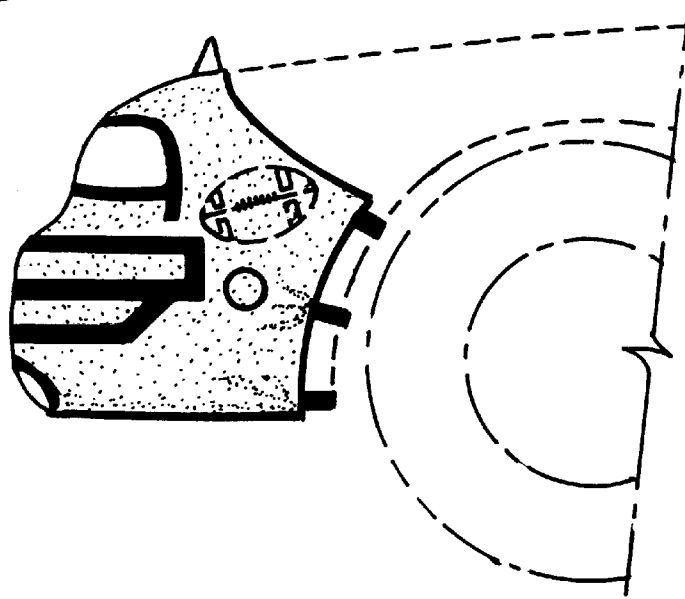
D. 363,261 10/1995 Horwill ..... D12/181  
D. 400,842 11/1998 Davis et al. .... D12/216

**1 Claim, 2 Drawing Sheets**





***Fig. 3.***



***Fig. 4.***