



US00D485380S

(12) **United States Design Patent** (10) **Patent No.:** **US D485,380 S**  
**Goodenow** (45) **Date of Patent:** **\*\* Jan. 13, 2004**

(54) **NEON NIGHTLIGHT**

D464,445 S \* 10/2002 Honda et al. .... D26/2

(75) Inventor: **George Goodenow**, DeSoto, TX (US)

\* cited by examiner

(73) Assignee: **Image Lighting, Inc.**, Dallas, TX (US)

*Primary Examiner*—Marcus A. Jackson

(\*\*) Term: **14 Years**

(74) *Attorney, Agent, or Firm*—Howison & Arnott, L.L.P.

(21) Appl. No.: **29/179,331**

(57) **CLAIM**

(22) Filed: **Apr. 8, 2003**

The ornamental design for “neon nightlight”, as shown and described.

(51) **LOC (7) Cl.** ..... **26-06**

(52) **U.S. Cl.** ..... **D26/4; D26/26**

(58) **Field of Search** ..... D26/1, 2, 3, 4,  
D26/94–101; 313/313, 315, 317, 318; 362/806,  
808

**DESCRIPTION**

FIG. 1 is an elevated perspective view of a neon nightlight showing my new design, with the broken line showing for illustrative purposes only and forming no part of the claimed design;

FIG. 2 is a front side view of the neon nightlight;

FIG. 3 is a left side view of the neon nightlight;

FIG. 4 is a right side view of the neon nightlight;

FIG. 5 is a rear side view of the neon nightlight;

FIG. 6 is a top view of the neon nightlight; and,

FIG. 7 is a bottom view of the neon nightlight.

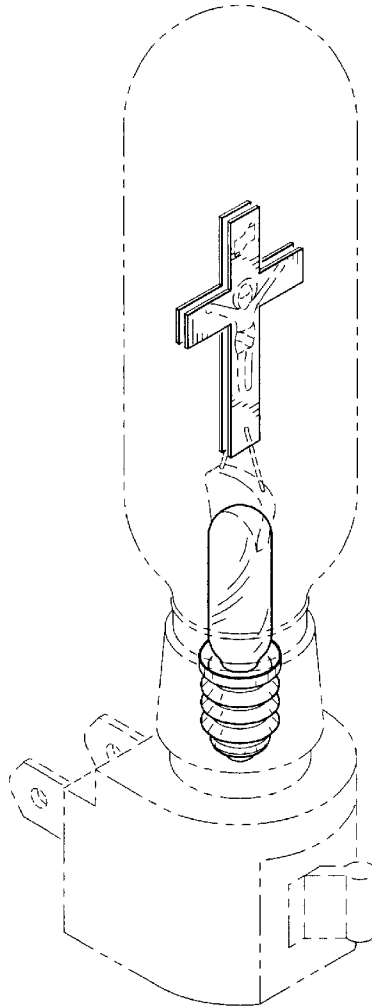
(56) **References Cited**

**U.S. PATENT DOCUMENTS**

D292,615 S \* 11/1987 Tolson, Sr. .... D26/4

D370,282 S \* 5/1996 Grether ..... D26/4

**1 Claim, 2 Drawing Sheets**



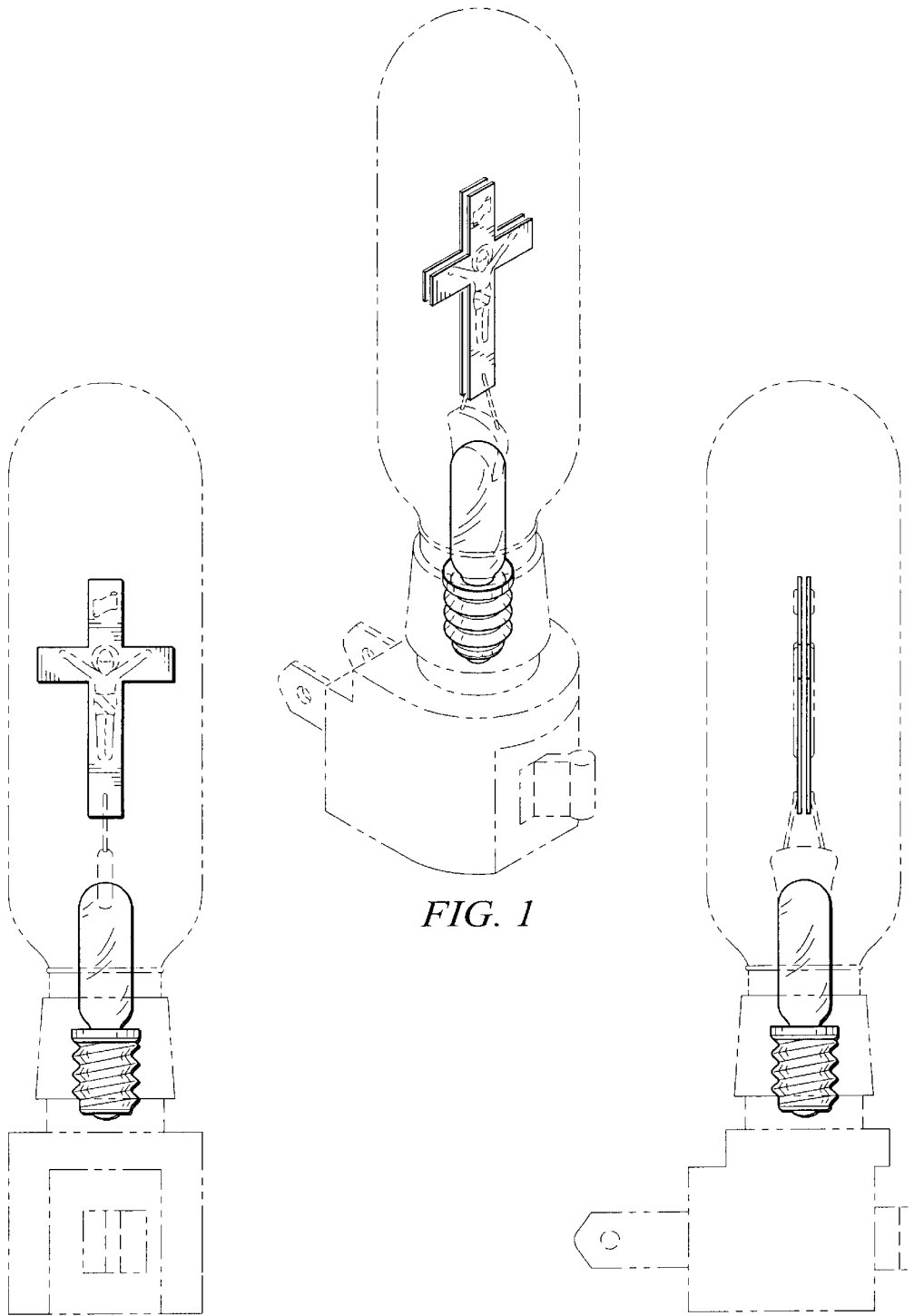


FIG. 1

FIG. 2

FIG. 3

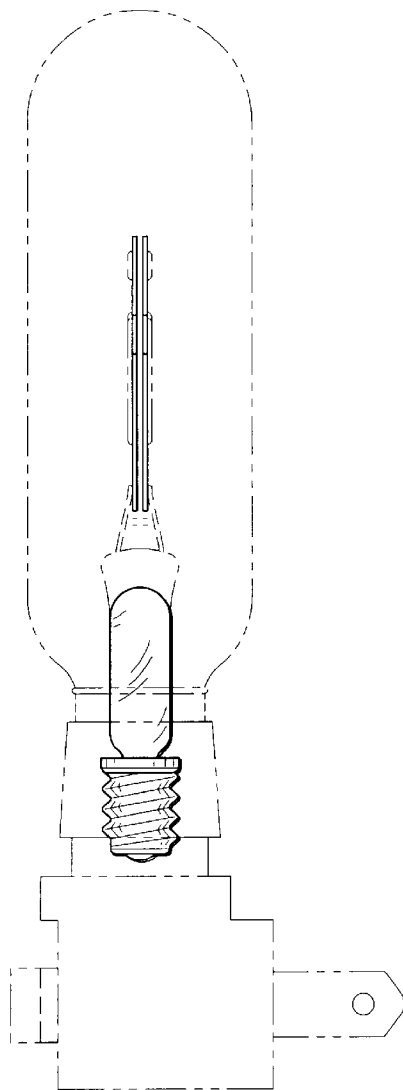


FIG. 4

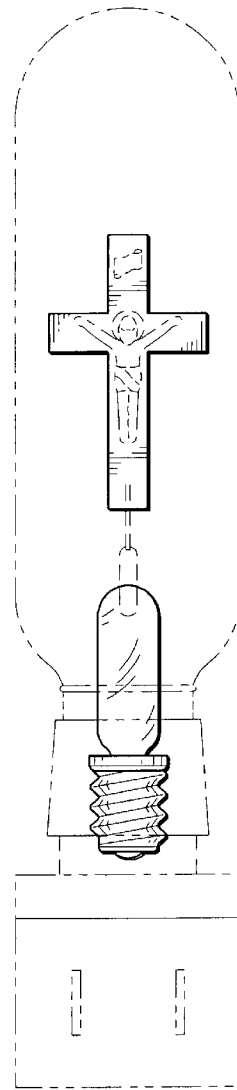


FIG. 5

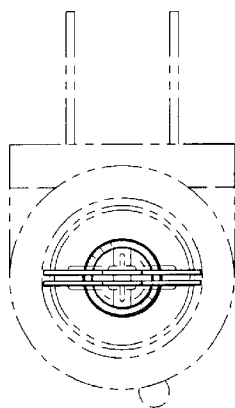


FIG. 6

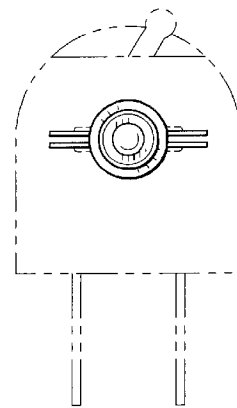


FIG. 7