

(19) World Intellectual Property Organization
International Bureau



(43) International Publication Date
5 October 2006 (05.10.2006)

PCT

(10) International Publication Number
WO 2006/105505 A3

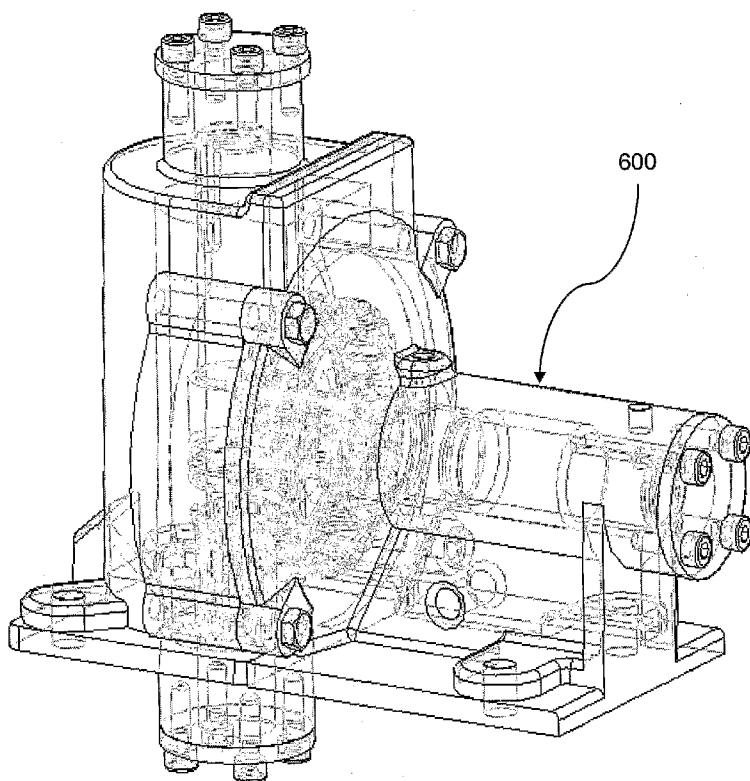
- (51) International Patent Classification:
G06T 15/40 (2006.01) *G06T 17/40* (2006.01)
- (21) International Application Number:
PCT/US2006/012377
- (22) International Filing Date: 31 March 2006 (31.03.2006)
- (25) Filing Language: English
- (26) Publication Language: English
- (30) Priority Data:
60/666,973 31 March 2005 (31.03.2005) US
11/278,100 30 March 2006 (30.03.2006) US
- (71) Applicant (for all designated States except US): **UGS CORP.** [US/US]; 5800 GRANITE PARKWAY, Suite 600, Plano, Texas 75024 (US).

- (72) Inventors; and
- (75) Inventors/Applicants (for US only): **ANDERSON, Timothy, R.** [US/US]; 675 Discovery Drive, Suite 100, Huntsville, Alabama 38506 (US). **CONERLY, Ronald, T.** [US/US]; 675 Discovery Drive, Suite 100, Huntsville, Alabama 38506 (US). **GURUSHANKAR, Aditya** [IN/US]; 675 Discovery Drive, Suite 100, Huntsville, Alabama 38506 (US). **STAPLES, Daniel, C.** [US/US]; 675 Discovery Drive, Suite 100, Huntsville, Alabama 38506 (US). **GANDIKOTA, Mallikarjuna** [IN/US]; 675 Discovery Drive,, Suite 100, Huntsville, Alabama 38506 (US).
- (74) Agent: **LINEBERRY, Allen, Scott**; UGS CORP., 5800 Granite Parkway, Suite 600, Plano, Texas 75024 (US).
- (81) Designated States (unless otherwise indicated, for every kind of national protection available): AE, AG, AL, AM, AT, AU, AZ, BA, BB, BG, BR, BW, BY, BZ, CA, CH, CN, CO, CR, CU, CZ, DE, DK, DM, DZ, EC, EE, EG, ES, FI, GB, GD, GE, GH, GM, HR, HU, ID, IL, IN, IS, JP, KE, KG, KM, KN, KP, KR, KZ, LC, LK, LR, LS, LT, LU, LV, LY, MA, MD, MG, MK, MN, MW, MX, MZ, NA, NG, NI, NO, NZ, OM, PG, PH, PL, PT, RO, RU, SC, SD, SE, SG,

- (71) Applicant and
- (72) Inventor (for all designated States except US): **PRINGALI, Prasad** [US/US]; 675 Discovery Drive, Suite 100, Huntsville, Alabama 35806 (US).

[Continued on next page]

(54) Title: SYSTEM AND METHOD TO DETERMINE A VISIBILITY SOLUTION OF A MODEL



(57) Abstract: A system, method, and computer program for determining a visibility solution of a model comprising the steps of rendering a model having a plurality of parts with at least one color value encoded for an at least one corresponding surface identity; distinguishing a plurality of exterior parts from a plurality of interior parts based on said at least one corresponding surface identity; and identifying a plurality of features in said model not copied into a composite image and appropriate means and computer-readable instructions.

WO 2006/105505 A3



SK, SL, SM, SY, TJ, TM, TN, TR, TT, TZ, UA, UG, US,
UZ, VC, VN, YU, ZA, ZM, ZW.

— *as to the applicant's entitlement to claim the priority of the earlier application (Rule 4.17(iii))*

(84) Designated States (*unless otherwise indicated, for every kind of regional protection available*): ARIPO (BW, GH, GM, KE, LS, MW, MZ, NA, SD, SL, SZ, TZ, UG, ZM, ZW), Eurasian (AM, AZ, BY, KG, KZ, MD, RU, TJ, TM), European (AT, BE, BG, CH, CY, CZ, DE, DK, EE, ES, FI, FR, GB, GR, HU, IE, IS, IT, LT, LU, LV, MC, NL, PL, PT, RO, SE, SI, SK, TR), OAPI (BF, BJ, CF, CG, CI, CM, GA, GN, GQ, GW, ML, MR, NE, SN, TD, TG).

Published:

— *with international search report*
— *before the expiration of the time limit for amending the claims and to be republished in the event of receipt of amendments*

(88) Date of publication of the international search report:
15 March 2007

Declarations under Rule 4.17:

— *as to applicant's entitlement to apply for and be granted a patent (Rule 4.17(ii))*

For two-letter codes and other abbreviations, refer to the "Guidance Notes on Codes and Abbreviations" appearing at the beginning of each regular issue of the PCT Gazette.

INTERNATIONAL SEARCH REPORT

International application No
PCT/US2006/012377

<p>A. CLASSIFICATION OF SUBJECT MATTER INV. G06T15/40 ADD. G06T17/40</p> <p>According to International Patent Classification (IPC) or to both national classification and IPC</p>																	
<p>B. FIELDS SEARCHED</p> <p>Minimum documentation searched (classification system followed by classification symbols) G06T</p> <p>Documentation searched other than minimum documentation to the extent that such documents are included in the fields searched</p> <p>Electronic data base consulted during the international search (name of data base and, where practical, search terms used) EPO-Internal, WPI Data</p>																	
<p>C. DOCUMENTS CONSIDERED TO BE RELEVANT</p> <table border="1"> <thead> <tr> <th>Category*</th> <th>Citation of document, with indication, where appropriate, of the relevant passages</th> <th>Relevant to claim No.</th> </tr> </thead> <tbody> <tr> <td>X</td> <td>ZHANG E ET AL INSTITUTE OF ELECTRICAL AND ELECTRONICS ENGINEERS: "Visibility-guided simplification" VIS 2002. IEEE VISUALIZATION 2002. PROCEEDINGS. BOSTON, MA, OCT. 27 - NOV. 1, 2002, ANNUAL IEEE CONFERENCE ON VISUALIZATION, NEW YORK, NY : IEEE, US, 27 October 2002 (2002-10-27), pages 267-274, XP010633302 ISBN: 0-7803-7498-3 page 267 - page 270</td> <td>1, 2, 4-9, 11-17</td> </tr> <tr> <td>Y</td> <td>----- page 267 - page 270</td> <td>3, 10, 19</td> </tr> <tr> <td>X</td> <td>US 2003/103048 A1 (KINDRATENKO VOLODYMYR V [US] ET AL) 5 June 2003 (2003-06-05)</td> <td>18</td> </tr> <tr> <td>Y</td> <td>paragraphs [0001], [0012], [0033], [0036], [0044], [0052] ----- -/--</td> <td>3, 10, 19</td> </tr> </tbody> </table>			Category*	Citation of document, with indication, where appropriate, of the relevant passages	Relevant to claim No.	X	ZHANG E ET AL INSTITUTE OF ELECTRICAL AND ELECTRONICS ENGINEERS: "Visibility-guided simplification" VIS 2002. IEEE VISUALIZATION 2002. PROCEEDINGS. BOSTON, MA, OCT. 27 - NOV. 1, 2002, ANNUAL IEEE CONFERENCE ON VISUALIZATION, NEW YORK, NY : IEEE, US, 27 October 2002 (2002-10-27), pages 267-274, XP010633302 ISBN: 0-7803-7498-3 page 267 - page 270	1, 2, 4-9, 11-17	Y	----- page 267 - page 270	3, 10, 19	X	US 2003/103048 A1 (KINDRATENKO VOLODYMYR V [US] ET AL) 5 June 2003 (2003-06-05)	18	Y	paragraphs [0001], [0012], [0033], [0036], [0044], [0052] ----- -/--	3, 10, 19
Category*	Citation of document, with indication, where appropriate, of the relevant passages	Relevant to claim No.															
X	ZHANG E ET AL INSTITUTE OF ELECTRICAL AND ELECTRONICS ENGINEERS: "Visibility-guided simplification" VIS 2002. IEEE VISUALIZATION 2002. PROCEEDINGS. BOSTON, MA, OCT. 27 - NOV. 1, 2002, ANNUAL IEEE CONFERENCE ON VISUALIZATION, NEW YORK, NY : IEEE, US, 27 October 2002 (2002-10-27), pages 267-274, XP010633302 ISBN: 0-7803-7498-3 page 267 - page 270	1, 2, 4-9, 11-17															
Y	----- page 267 - page 270	3, 10, 19															
X	US 2003/103048 A1 (KINDRATENKO VOLODYMYR V [US] ET AL) 5 June 2003 (2003-06-05)	18															
Y	paragraphs [0001], [0012], [0033], [0036], [0044], [0052] ----- -/--	3, 10, 19															
<p><input checked="" type="checkbox"/> Further documents are listed in the continuation of Box C. <input checked="" type="checkbox"/> See patent family annex.</p>																	
<p>* Special categories of cited documents:</p> <p>*A* document defining the general state of the art which is not considered to be of particular relevance</p> <p>*E* earlier document but published on or after the international filing date</p> <p>*L* document which may throw doubts on priority claim(s) or which is cited to establish the publication date of another citation or other special reason (as specified)</p> <p>*O* document referring to an oral disclosure, use, exhibition or other means</p> <p>*P* document published prior to the international filing date but later than the priority date claimed</p> <p>*T* later document published after the international filing date or priority date and not in conflict with the application but cited to understand the principle or theory underlying the invention</p> <p>*X* document of particular relevance; the claimed invention cannot be considered novel or cannot be considered to involve an inventive step when the document is taken alone</p> <p>*Y* document of particular relevance; the claimed invention cannot be considered to involve an inventive step when the document is combined with one or more other such documents, such combination being obvious to a person skilled in the art.</p> <p>*Z* document member of the same patent family</p>																	
<p>Date of the actual completion of the international search</p> <p>5 January 2007</p>		<p>Date of mailing of the international search report</p> <p>23/01/2007</p>															
<p>Name and mailing address of the ISA/ European Patent Office, P.B. 5818 Patentlaan 2 NL - 2280 HV Rijswijk Tel. (+31-70) 340-2040, Tx. 31 651 epo nl, Fax: (+31-70) 340-3016</p>		<p>Authorized officer</p> <p>Reise, Frank</p>															

INTERNATIONAL SEARCH REPORT

International application No
PCT/US2006/012377

C(Continuation). DOCUMENTS CONSIDERED TO BE RELEVANT		
Category*	Citation of document, with indication, where appropriate, of the relevant passages	Relevant to claim No.
A	EP 0 549 944 A2 (IBM [US]) 7 July 1993 (1993-07-07) pages 1-4,9 -----	

INTERNATIONAL SEARCH REPORT

Information on patent family members

International application No

PCT/US2006/012377

Patent document cited in search report		Publication date	Patent family member(s)	Publication date
US 2003103048	A1	05-06-2003	NONE	
EP 0549944	A2	07-07-1993	JP 2625621 B2	02-07-1997
			JP 5266212 A	15-10-1993
			US 5448686 A	05-09-1995