

(19) World Intellectual Property Organization  
International Bureau



(43) International Publication Date  
8 December 2005 (08.12.2005)

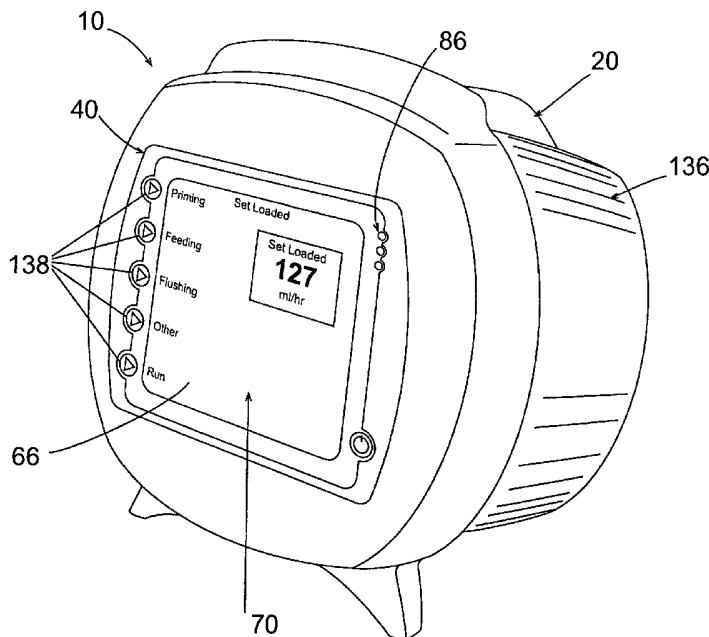
PCT

(10) International Publication Number  
WO 2005/116904 A3

- (51) International Patent Classification:  
A61M 31/00 (2006.01)
- (21) International Application Number:  
PCT/US2005/018489
- (22) International Filing Date: 25 May 2005 (25.05.2005)
- (25) Filing Language: English
- (26) Publication Language: English
- (30) Priority Data:  
10/854,008 25 May 2004 (25.05.2004) US
- (63) Related by continuation (CON) or continuation-in-part (CIP) to earlier application:  
US 10/854,008 (CON)  
Filed on 25 May 2004 (25.05.2004)
- (71) Applicant (for all designated States except US): **SHERWOOD SERVICES, AG** [CH/CH]; Postfach 1571, Bahnhofstrasse 29, CH-8201 Schaffhausen (CH).
- (72) Inventors; and
- (75) Inventors/Applicants (for US only): **GAINES, Robert, B.** [US/US]; 1010 Marions Cove Drive, Lake St. Louis, Missouri 63367 (US). **KNAUPER, Chris** [US/US]; 54 Rock Church Drive, O'Fallon, Missouri 63366 (US).
- PRICE, Jeffrey, E.** [US/US]; 16441 Bayshore Cove Court, Wildwood, Missouri 63040 (US).
- (74) Agents: **BAI, Ari, M.** et al.; Greensfelder, Hemker & Gale, P.C., 10 S. Broadway, 2000 Equitable Building, St. Louis, Missouri 63102 (US).
- (81) Designated States (unless otherwise indicated, for every kind of national protection available): AE, AG, AL, AM, AT, AU, AZ, BA, BB, BG, BR, BW, BY, BZ, CA, CH, CN, CO, CR, CU, CZ, DE, DK, DM, DZ, EC, EE, EG, ES, FI, GB, GD, GE, GH, GM, HR, HU, ID, IL, IN, IS, JP, KE, KG, KM, KP, KR, KZ, LC, LK, LR, LS, LT, LU, LV, MA, MD, MG, MK, MN, MW, MX, MZ, NA, NG, NI, NO, NZ, OM, PG, PH, PL, PT, RO, RU, SC, SD, SE, SG, SK, SL, SM, SY, TJ, TM, TN, TR, TT, TZ, UA, UG, UZ, VC, VN, YU, ZA, ZM, ZW.
- (84) Designated States (unless otherwise indicated, for every kind of regional protection available): ARIPO (BW, GH, GM, KE, LS, MW, MZ, NA, SD, SL, SZ, TZ, UG, ZM, ZW), Eurasian (AM, AZ, BY, KG, KZ, MD, RU, TJ, TM), European (AT, BE, BG, CH, CY, CZ, DE, DK, EE, ES, FI, FR, GB, GR, HU, IE, IS, IT, LT, LU, MC, NL, PL, PT, RO, SE, SI, SK, TR), OAPI (BF, BJ, CF, CG, CI, CM, GA, GN, GQ, GW, ML, MR, NE, SN, TD, TG).

[Continued on next page]

(54) Title: RE-CERTIFICATION SYSTEM FOR A FLOW CONTROL APPARATUS



(57) Abstract: A flow control apparatus (10) adapted to load a re-certification feeding set (14) is disclosed. The flow control apparatus (10) comprises a sensor (30) for sensing the loading of the re-certification feeding set (14) to the flow control apparatus (10), and a software subsystem (36) in operative association with the sensor (30) that includes a re-certification procedure for verifying that at least one component of the flow control apparatus (10) is functioning within a predetermined operational range. Also disclosed is a method for verifying that at least one component of a flow control apparatus (10) is functioning within a predetermined operational range.

WO 2005/116904 A3



**Published:**

- *with international search report*
- *before the expiration of the time limit for amending the claims and to be republished in the event of receipt of amendments*

*For two-letter codes and other abbreviations, refer to the "Guidance Notes on Codes and Abbreviations" appearing at the beginning of each regular issue of the PCT Gazette.*

**(88) Date of publication of the international search report:**

23 November 2006

**INTERNATIONAL SEARCH REPORT**

International application No.

PCT/US05/18489

**A. CLASSIFICATION OF SUBJECT MATTER**

IPC: **A61M 31/00(2006.01)**

USPC: 604/65

According to International Patent Classification (IPC) or to both national classification and IPC

**B. FIELDS SEARCHED**

Minimum documentation searched (classification system followed by classification symbols)

U.S. : 604/65-67

Documentation searched other than minimum documentation to the extent that such documents are included in the fields searched

Electronic data base consulted during the international search (name of data base and, where practicable, search terms used)

**C. DOCUMENTS CONSIDERED TO BE RELEVANT**

Category *	Citation of document, with indication, where appropriate, of the relevant passages	Relevant to claim No.
A	US 5368562 (Blomquist et al.) 29 November 1994 Note: Please review the entire patent.	1-9

<input type="checkbox"/> Further documents are listed in the continuation of Box C.	<input type="checkbox"/> See patent family annex.
* Special categories of cited documents:	
"A" document defining the general state of the art which is not considered to be of particular relevance	"T" later document published after the international filing date or priority date and not in conflict with the application but cited to understand the principle or theory underlying the invention
"E" earlier application or patent published on or after the international filing date	"X" document of particular relevance; the claimed invention cannot be considered novel or cannot be considered to involve an inventive step when the document is taken alone
"L" document which may throw doubts on priority claim(s) or which is cited to establish the publication date of another citation or other special reason (as specified)	"Y" document of particular relevance; the claimed invention cannot be considered to involve an inventive step when the document is combined with one or more other such documents, such combination being obvious to a person skilled in the art
"O" document referring to an oral disclosure, use, exhibition or other means	"&" document member of the same patent family
"P" document published prior to the international filing date but later than the priority date claimed	

Date of the actual completion of the international search 16 August 2006 (16.08.2006)	Date of mailing of the international search report <b>02 OCT 2006</b>
--	--

Name and mailing address of the ISA/US Mail Stop PCT, Attn: ISA/US Commissioner for Patents P.O. Box 1450 Alexandria, Virginia 22313-1450 Facsimile No. (571) 273-3201	Authorized officer Manuel Mendez <i>[Signature]</i> Telephone No. 703-000-0000 <i>[Signature]</i>
---	--