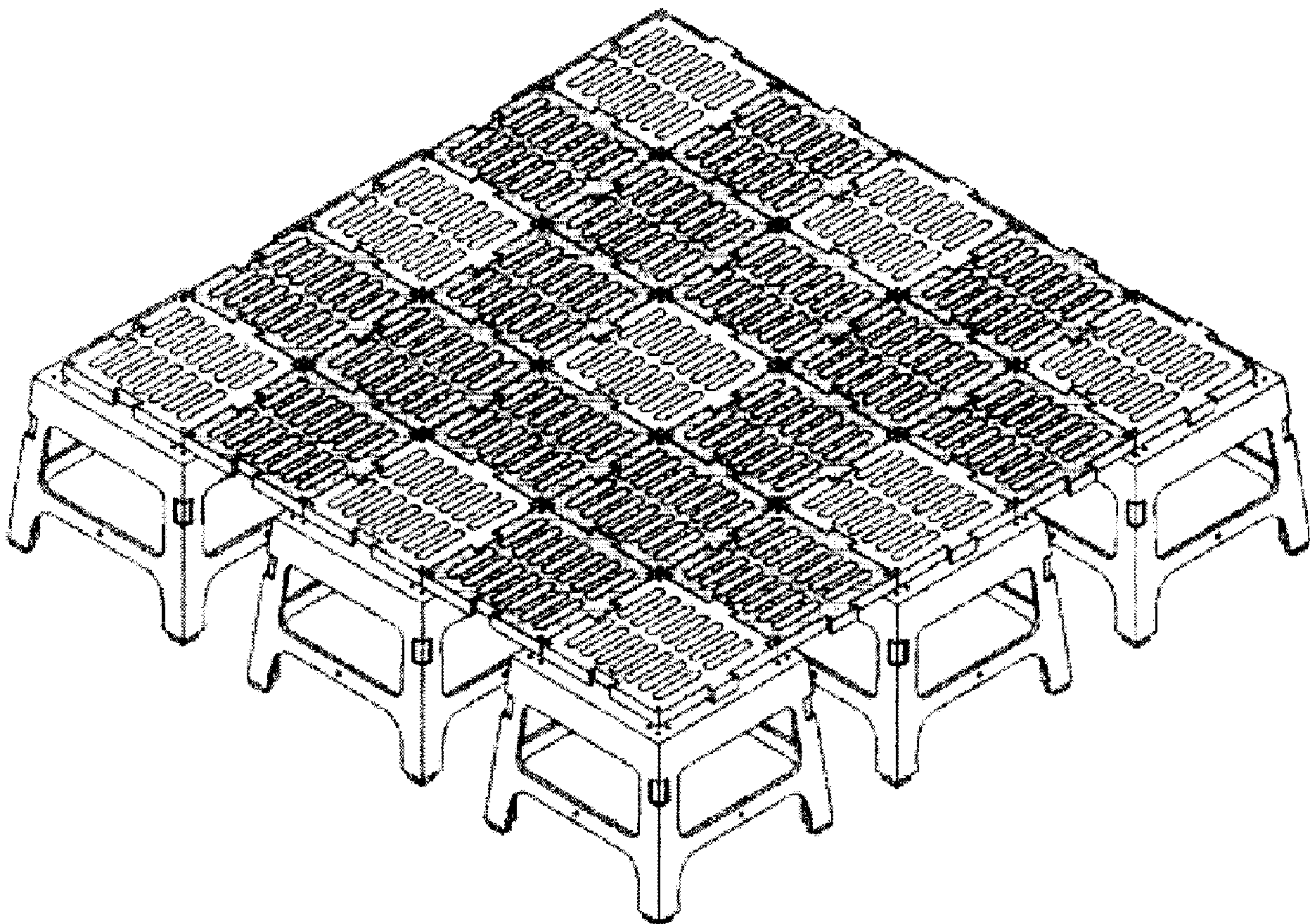




(86) Date de dépôt PCT/PCT Filing Date: 2010/03/12  
(87) Date publication PCT/PCT Publication Date: 2010/10/14  
(45) Date de délivrance/Issue Date: 2013/07/16  
(85) Entrée phase nationale/National Entry: 2011/10/03  
(86) N° demande PCT/PCT Application No.: KR 2010/001554  
(87) N° publication PCT/PCT Publication No.: 2010/117144  
(30) Priorité/Priority: 2009/04/06 (KR10-2009-0029591)

(51) Cl.Int./Int.Cl. *A47B 1/00* (2006.01),  
*A47B 3/00* (2006.01), *A47B 85/00* (2006.01)  
(72) Inventeur/Inventor:  
JEONG, EUN-JI, KR  
(73) Propriétaire/Owner:  
JUNG, JAE-WEON, KR  
(74) Agent: MCMILLAN LLP

(54) Titre : BANC PLAT PORTABLE DE TYPE A ASSEMBLER  
(54) Title: PORTABLE ASSEMBLY TYPE FLAT BENCH



(57) Abrégé/Abstract:

The present invention relates to a portable assembly type flat bench, and more particularly, to a portable assembly type flat bench in which a plurality of supports are spaced apart from each other by an equal spacing in the front and rear directions and left and right



(57) **Abrégé(suite)/Abstract(continued):**

directions, and interconnected through a connection panel, to thereby reduce the volume of the bench and to thus enable easy carrying and storage, and easy assembly and disassembly, and to enable the size of the bench to be freely adjusted. The portable assembly type flat bench of the present invention is configured such that a plurality of supports 1 are spaced apart from each other in the front and rear directions and left and right directions, the supports 1 are interconnected through a connection panel 3, each of the supports 1 has a base 11 with support legs 12 integrally formed beneath the base 11, the support legs 12 are gradually opened outward from the base 11, the base 11 of the support 1 has a top on which a support panel 2 is arranged, two adjacent supports 1 are interconnected by the connected panel 3, and another connection panel 3 is connected to the empty space of the flat bench thus-assembled by connection panels 3.

**Abstract**

The present invention relates to a portable assembly type flat bench, and more particularly, to a portable assembly type flat bench in which a plurality of supports are spaced apart from each other by an equal spacing in the front and rear directions and left and right directions, and interconnected through a connection panel, to thereby reduce the volume of the bench and to thus enable easy carrying and storage, and easy assembly and disassembly, and to enable the size of the bench to be freely adjusted. The portable assembly type flat bench of the present invention is configured such that a plurality of supports are spaced apart from each other in the front and rear directions and left and right directions, the supports 1 are interconnected through a connection panel 3, each of the supports 1 has a base 11 with support legs 12 integrally formed beneath the base 11, the support legs 12 are gradually opened outward from the base 11, the base 11 of the support 1 has a top on which a support panel 2 is arranged, two adjacent supports 1 are interconnected by the connected panel 3, and another connection panel 3 is connected to the empty space of the flat bench thus-assembled by connection panels 3.

## Title: PORTABLE ASSEMBLY TYPE FLAT BENCH

### Technical Field

[1] The present invention relates to a portable assembly type flat bench,  
5 and more particularly, to a portable assembly type flat bench in which a plurality  
of supports are spaced apart from each other by an equal spacing in the front  
and rear directions and left and right directions, and interconnected through a  
connection panel, to thereby reduce the volume of the bench and to thus enable  
easy carrying and storage, and easy assembly and disassembly, and to enable  
10 the size of the bench to be freely adjusted.

### Background Art

[2] A flat bench is generally installed indoor as well as outdoor and is a  
kind of a bed structure on which people can take a rest, with each corner  
15 portion of an underneath surface of a flat panel being equipped with support  
legs; however its volume and weight are massive and heavy which make  
movements hard, so the use of the same is not easy.

[3] An assembly and disassembly type flat bench is disclosed, in which  
a panel, support legs and a frame are be disassembled in order to try to  
20 enhance portability; however the volume of a conventional portable flat bench is

bulky, which worsens portability, and its assembly performance is bad.

[4] In order to overcome the above problems, the Korean utility model publication number 441590, as shown in Figure 1, discloses a portable flat bench consisting of a plurality of horizontal frames, vertical frames, a panel and at least one connection part and support legs. A panel mounted on a flat bench frame is divided into four parts thus forming four unit panels. A central frame is provided at a center of a flat bench frame and is in parallel with a horizontal frame of a flat bench frame. Both ends of a central frame are inserted into an upper side-open support fixed at a center of a vertical frame, and a horizontal frame and a central frame of a flat bench frame are separated into both directions and are connected by a connection frame. An insertion groove is formed at each upper surface of a horizontal frame, a vertical frame and a central frame, respectively. A horizontal protrusion and a vertical protrusion of an outer side formed at an edge portion of an underneath surface of a unit plane are inserted into the insertion grooves of the horizontal frame and the vertical frame, respectively. A horizontal protrusion of an inner side of an underneath surface of a unit panel is inserted into an insertion groove of the central frame. An accommodation groove is formed at a connection member of both sides of a connector connecting the horizontal frame and the vertical frame and at a center of the connection frame, respectively, so the insertion grooves

of the horizontal frame, the vertical frame and the central frame are overlapped on the accommodation grooves, respectively. A corner portion of a unit panel is mounted at an upper surface of the connector. An accommodation groove with an insertion groove is formed at an end formed in a perpendicular direction. An extension pipe accommodating an upper side of a support leg is formed integrally with a connector at a center of an underneath surface of the connector, and a head part is buried in the interior of a center portion of the connector at the center of the extension pipe and is engaged with a screw hole of an upper center of a support leg, and a bolt is disposed in a longitudinal direction of an extension pipe. A head part of an adjusting bolt engaged with an adjusting screw hole of a lower side of a support leg is buried in a central inner portion at a lower side of a support leg. A ground touching support pipe in which an adjusting bolt is vertically fixed at an inner central portion is engaged, thus forming a conventional assembly type flat bench.

[5] The above utility model as registered is not able to diversely change the size of the flat bench, and an assembly and disassembly are not easy, so there is a lot of inconvenience in using as a portable appliance which needs fast assembly and disassembly.

## 20 **Disclosure of Invention**

[6] Accordingly, it is an object of the present invention to provide a portable assembly type flat bench which overcomes the problems of a conventional portable assembly type flat bench. A plurality of supports are spaced apart in front and rear directions and left and right directions and are  
5 connected by a connection panel. When it is disassembled, a volume is not bulky, thus obtaining an easier storage. Everyone can easily assemble and disassemble, and the size of a flat bench can be freely adjusted.

[7] The assembly type flat bench is equipped with an engaging member and a fixing strap, thus providing a structurally stable assembly type flat bench.  
10 With the aid of a leg support or a leg support at an underneath surface of a support, the flat bench of the present invention can be installed even at a beach with sand.

[8] To achieve the object of the present invention, there is provided a portable assembly type flat bench A in which a plurality of supports 1 are spaced  
15 apart from one another in front and rear directions and left and right directions at regular intervals, and the supports 1 are connected by a connection panel 3, which comprises:

[9] the support 1 which is configured in such a manner that a support leg 12 is integrally disposed at an underneath surface of a base 11, and

20 [10] the support leg 12 is engaged and gradually widened in a direction

from the base 11 to the outside, and

[11] a support panel 2 is provided at an upper side of the base 11 of the support 1, and the neighboring two supports 1 are connected by means of a connection panel 3, and another connection panel 3 is connected to a space  
5 part of the assembly type flat bench connected by means of the connection panel 3.

#### ADVANTAGEOUS EFFECTS

[12] According to the assembly type flat bench of the present invention,  
10 when it is disassembled, a volume is not bulky, thus obtaining a better portability and storage, and everyone can easily assemble and disassemble. If necessary, the size of a flat bench can be freely adjusted.

[13] The assembly type flat bench is formed with an engaging member and a fixing strap, thus obtaining a structurally stable construction. With the aid  
15 of a leg support or a leg support at an underneath surface of a support, the flat bench of the present invention can be installed even at a beach with sand. If necessary, the flat bench of the present invention can be used as a table or a chair. A tent or a shading screen can be installed above the upper side of a flat bench, which leads to a diverse purpose application.

20

### **Brief Description of the Drawings**

The present invention will become better understood with reference to the accompanying drawings which are given only by way of illustration and thus are not limitative of the present invention, wherein;

5 [14] Figure 1 is a perspective view illustrating a conventional assembly type flat bench;

[15] Figure 2 is a perspective view illustrating a portable assembly type flat bench according to the present invention;

10 [16] Figure 3 is a perspective view illustrating a state that a support panel and a connection panel of a portable assembly type flat bench are separate according to the present invention;

[17] Figure 4 is a perspective view illustrating a state that a support panel is integrally formed at a support of a portable assembly type flat bench according to the present invention;

15 [18] Figure 5 is a perspective view illustrating a state that an engaging member and a fixing strap are installed at a portable assembly type flat bench according to the present invention;

[19] Figures 6 and 7 are perspective views illustrating a state that a leg support part is installed at an underneath surface of a support according to the  
20 present invention;

[20] Figure 8 is a perspective view illustrating a state that a leg support is installed at a underneath surface of a support according to the present invention; and

[21] Figures 9 and 10 are perspective views illustrating a use state of a portable assembly type flat bench according to the present invention.

[22]

[23] \*descriptions of major elements of drawings\*

[24] 1: support                      2: support panel                      3: connection panel

[25] 4: fixing strap                      5: leg support member                      6: leg base

10 [26] 11: base

12: support leg                      13: assistant member

[27] 14: engaging member                      15: fixing strap mounting groove

21, 31: longitudinal holes

[28] 22, 32: dove tail protrusion                      23, 33: dove tail groove

15 [29] 24, 34: engaging protrusion

[29]

### **Modes for carrying out the invention**

[30] The portable assembly type flat bench A according to the present invention will be described with reference to the accompanying drawings.

[31] Figure 2 is a perspective view illustrating a portable assembly type flat bench A according to the present invention, which comprises a plurality of connection parts 1, a support panel 2 provided at an upper side of the support 1, and a connection panel 3 connecting the neighboring supports 1.

5 [32] At this time, the support 1 is formed of a support leg 12 disposed at an underneath side of a base 11, and a support panel 2 is disposed at an upper side of the base 11. The support panel 2 is seen in the drawing like a rectangular panel; however its construction is not limited thereto. As shown in Figure 3, the support panel 2 might be engaged like it is separate from the base  
10 11. As shown in Figure 4, the support panel 2 might be integrally formed at the base 11 of the support 1; however its engaging construction is not limited thereto. The support leg 12 disposed at an underneath surface of the base 11 might be integrally formed at the base 11 or is assembled and engaged; however, its construction is not limited thereto.

15 [33] The support leg 12 of the support 1 is disposed not at a right angle to the base 11, but in a manner that it is gradually widened from the base 11 to the outer side for the reasons to effectively stack and store the supports 1 when disassembling the assembly type flat bench A.

[34]

20 [35] As shown in Figures 3 and 4, the portable assembly type flat bench

A according to the present invention is characterized in that the supports 1 are spaced apart from each other in front and rear directions and left and right directions and are connected by a connection panel 3 and are more preferably arranged at regular intervals, and the connection panel 3 connecting the support panel 2 disposed at the upper side of the base 11 of the support 1 and the neighboring two supports 1 have same shapes.

[36] The neighboring two supports 1 are connected by a connection panel 3, and another connection panel 3 is connected in a space of the assembly type flat bench A formed by means of the support panel 2 and the connection panel 3, so the upper sides of the supports 1 as arranged below are all connected with the support panel 2 and the connection panel 3 without spaces.

[37] At this time, the connection of the support panel 2 and the connection panel 3 is made on the base 11 of the support 1. A support panel 2 is disposed at an upper side of the base 11, and the side portions of the support panel 2 and the connection panel 3 are connected at the edge of the base 11. Another connection panel 3 filled in a space between the support panel 2 and the connection panel 3 is engaged to the corner of the base 11 of the other support 1.

[38] Four engaging holes 111 are formed at the corner portions of the

base 11 of the support 1, and the support panel 2 and the connection panel 3 are engaged and assembled to the four engaging holes 111. In other words, the engaging protrusions 24 and 34 are formed at a corner lower side of each of the support panel 2 and the connection panel 3, so the engaging protrusions 24 and 34 are inserted into the engaging holes 111 formed at the corner portions of the base 11 of the support 1. Here, the engaging protrusions 24 and 34 might be integral with the support panel 2 and the connection panel 3 or might be installed by passing the engaging part such as a common screw or the like through the upper and lower sides of the panel; however its construction is not limited thereto.

[39] As seen in the drawings, four different panels 2 and 3 are engaged to four engaging holes 111 formed at the corner portions of the base 11.

[40]

[41] Dove tail protrusions 22 and 32 are formed at one side surface and another side surface neighboring with the one side surface in the support panel 2 and the connection panel 3. Dove tail grooves 23 and 33 matching with the dove tail protrusions 22 and 32 are formed at side surfaces opposite to the dove tail protrusions 22 and 32. When the dove tail protrusions 22 and 32 and the dove tail grooves 23 and 33 are formed, the dove tail protrusions 22 and 32 of the support panel 2 or the connection panel 3 are inserted into the dove tail

grooves 23 and 33 of the neighboring support panel 2 or the connection panel 3 and are assembled, so they don't separate even when an external impact is applied thereto in a horizontal direction.

[42] A plurality of longitudinal holes 21 and 31 passing through from the upper side to the lower side are formed at the support panel 2 and the connection panel 3, respectively, by means of which air can penetrate into the support panel 2 and the connection panel 3, so a user might feel fresh air during hot summer.

[43]

[44] As shown in Figure 5, in order to more enhance the engaged force of the assembled portable assembly type flat bench A according to the present invention, the assistant member 13 connecting the support legs 12 are formed at the intermediate portion of the support leg 12 of the support 1, and a through hole 131 is formed at a central portion of the assistant member 13. As the bar shaped engaging members 14 pass through the through holes 131, the supports 1 arranged in front and rear directions and left and right directions are interconnected with one another. The engaging member 14 might be installed through a side surface of the base 11 of the support 1, not by the assistant member 13. A through hole might be formed at a side surface of the base 11, so the engaging member 14 passes through the through hole thus engaging the

bench.

[45] There might be further provided a fixing strap 4 surrounding the whole portions of the supports 1 arranged in front and rear directions and left and right directions at regular intervals. It is preferred that a fixing strap mounting groove 15 is formed at an outer side surface of the support leg 12 of the support 1 so that the fixing strap 4 can stably surround the supports 1. The fixing strap mounting groove 15 is not limited to its shape, size or formation position unless the fixing strap 4 is not stably mounted. Both ends of the fixing strap 4 might be tied by means of a buckle or the like or both ends of the same might be tied using a Velcro tape or the like; however their tying way is not limited thereto.

[46]

[47] When the portable assembly type flat bench A according to the present invention is positioned at a place with sand or a place with high moisture after rain, not at a hard ground, a leg support member 5 and a leg base 6 might be provided at an underneath surface of the support leg 12 in order to prevent the support leg 4 of the support 1 from sinking into the sand or ground as the support leg 4 of the support 1 is not stably supported.

[48] As shown in Figure 6, the leg support member 5 is made in a flat plate shape, thus supporting four support legs 12 together with one plate.

Alternatively, two plates might be used to support two support legs 12. As not shown in the drawings, four support legs 12 might be independently supported; however, its support way is not limited thereto.

[49] A cut-away part 51 configured to match with an end of a support leg  
5 12 might be formed at the leg support member 5, so a stable engagement can be obtained by inserting an end of the support leg 12 into the cut-away part 51. Here, an engaging shoulder might be formed at the support leg 12 in order to prevent the support leg 12 from inserting deep into the cut-away part 51.

[50]

10 [51] As shown in Figure 8, the leg base 6 is protruded upwards to have a space part 62 at its lower side. A cut-away part 61 configured to match with an end portion of the support leg 12 might be formed at a protruded upper surface in the same manner as the leg support member 5. In addition, as shown in Figure 8, one leg base 6 is assigned to each support leg 12; however four cut-  
15 away parts 61 might be formed so that one leg base 6 can support all the support legs 12. The above leg base 6 might be useful when the bench is placed at a place with sand. Since sand is filled in the space part 62 of the lower side, it is possible to more stably support the supports 1.

[52]

20 [53] Meanwhile the supports 1, the support panel 2 and the connection

panel 3 of the present invention are not limited to their materials; for example, when they are made from plastic materials, it is preferred that reinforcing ribs are integrally formed at a lower side of the panel 2 in order to enhance strength.

[54]

5 [55] The portable assembly type flat bench A according to the present invention is capable of providing a thing on which people can take a rest and as shown in Figure 9, a tent T might be installed above the upper side of the portable assembly type flat bench A or a shading screen might be installed, so an applicable range of the present invention is diverse, not limiting thereto.

10 [56]

[57] As shown in Figure 8, when some of the supports 1, the support panels 2 and the connection panels 3 are connected thus making a table, and some of the supports 1 and the support panels 2 are connected thus making chairs for thereby making an outdoor table set. Some of the connection panels 3  
15 are connected thus making an outdoor mat.

[58] As not shown in the drawings, a protection member might be installed along an outer edge portion of the portable assembly type flat bench A according to the present invention; however its construction is not limited thereto.

20 [59]

**Claims:**

1. A portable assembly type flat bench in which a plurality of supports 1 are spaced apart from one another in front and rear directions and left and right directions at regular intervals, and the supports 1 are connected by a  
5 connection panel 3, comprising:  
  
said support 1 being configured in such a manner that a support leg 12 is integrally disposed at an underneath surface of a base 11, and said support leg 12 is engaged and gradually widened in a direction from the base 11 to the outside, and a support panel 2 is provided at an upper side of the base 11 of the  
10 support 1, and the neighboring two supports 1 are connected by means of a connection panel 3, and another connection panel 3 is connected to a space part of the assembly type flat bench connected by means of the connection panel 3.
- 15 2. A portable assembly type flat bench according to claim 1, wherein said support 1 and said support panel 2 are integral with each other.
3. A portable assembly type flat bench according to claim 1, wherein four  
engaging holes 111 are formed at the corner portions of a base 11 of the  
20 support 1, and said support panel 2 and said connection panel 3 are engaged to

the four engaging holes 111 and are assembled.

4. A portable assembly type flat bench according to claim 3, wherein said engaging protrusions 24 and 34 are integrally formed at the corner lower sides  
5 of the support panel 2 and the connection panel 3, and the engaging protrusions 24 and 34 are inserted into the engaging holes 111 formed at the corner portion of the base 11 of the support 1 and are assembled.

5. A portable assembly type flat bench according to one among claims 1  
10 through 4, wherein an assistant member 13 connecting the support legs 12 is formed at an intermediate portion of the support leg 12 of the support 1, and a through hole 131 is formed at a central portion of the assistant member 13, and the engaging member 14 passes through the through hole 131 thus interconnecting the supports 1.

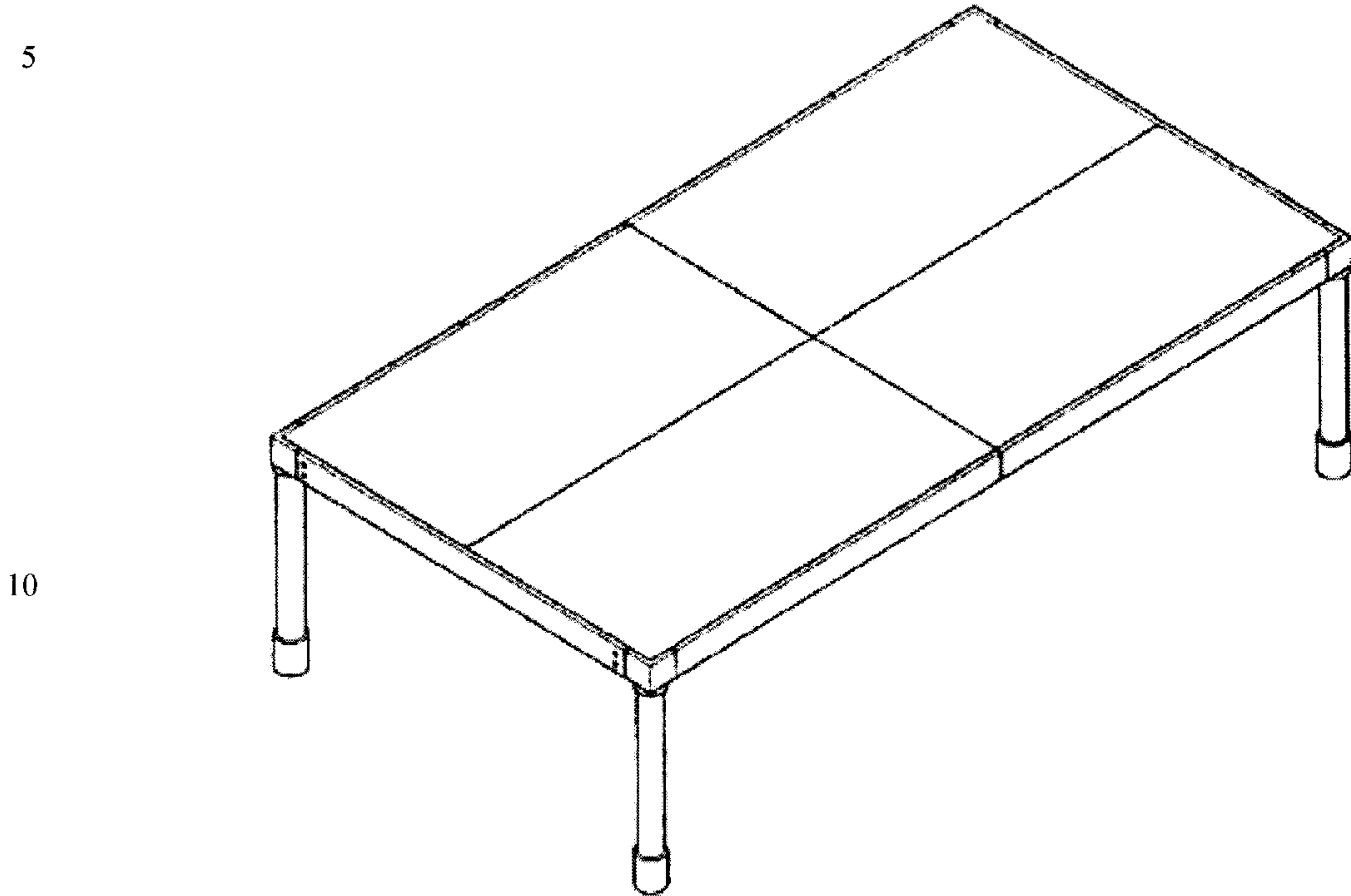
15

6. A portable assembly type flat bench according to one among claims 1  
through 4, wherein a flat plate-shaped leg support member 5 is engaged at an underneath surface of the support leg 12 of the support 1, and a cut-away part  
51 matching with an end portion of the support leg 12 is formed at the leg  
20 support member 5.

7. A portable assembly type flat bench according to one among claims 1 through 4, wherein a leg base 6 is engaged at a underneath surface of the support leg 12 of the support 1, and said leg base 6 is protruded upwards to have a space part 62 in a lower side, and a cut-away part 61 matching with an end portion of the support leg 1 is formed at a protruded upper surface.

**Figure**

[Fig. 1]



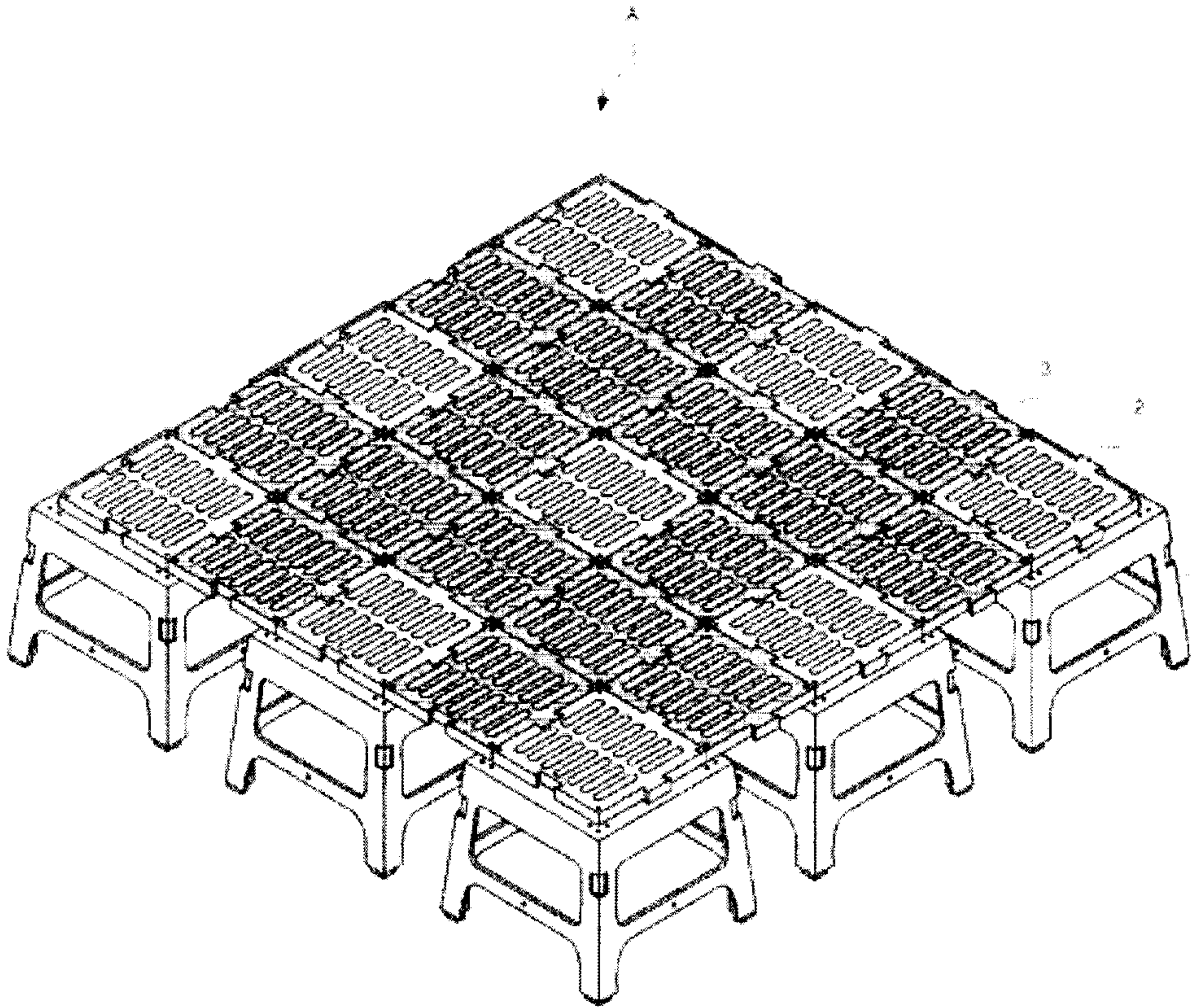
5

10

15

20

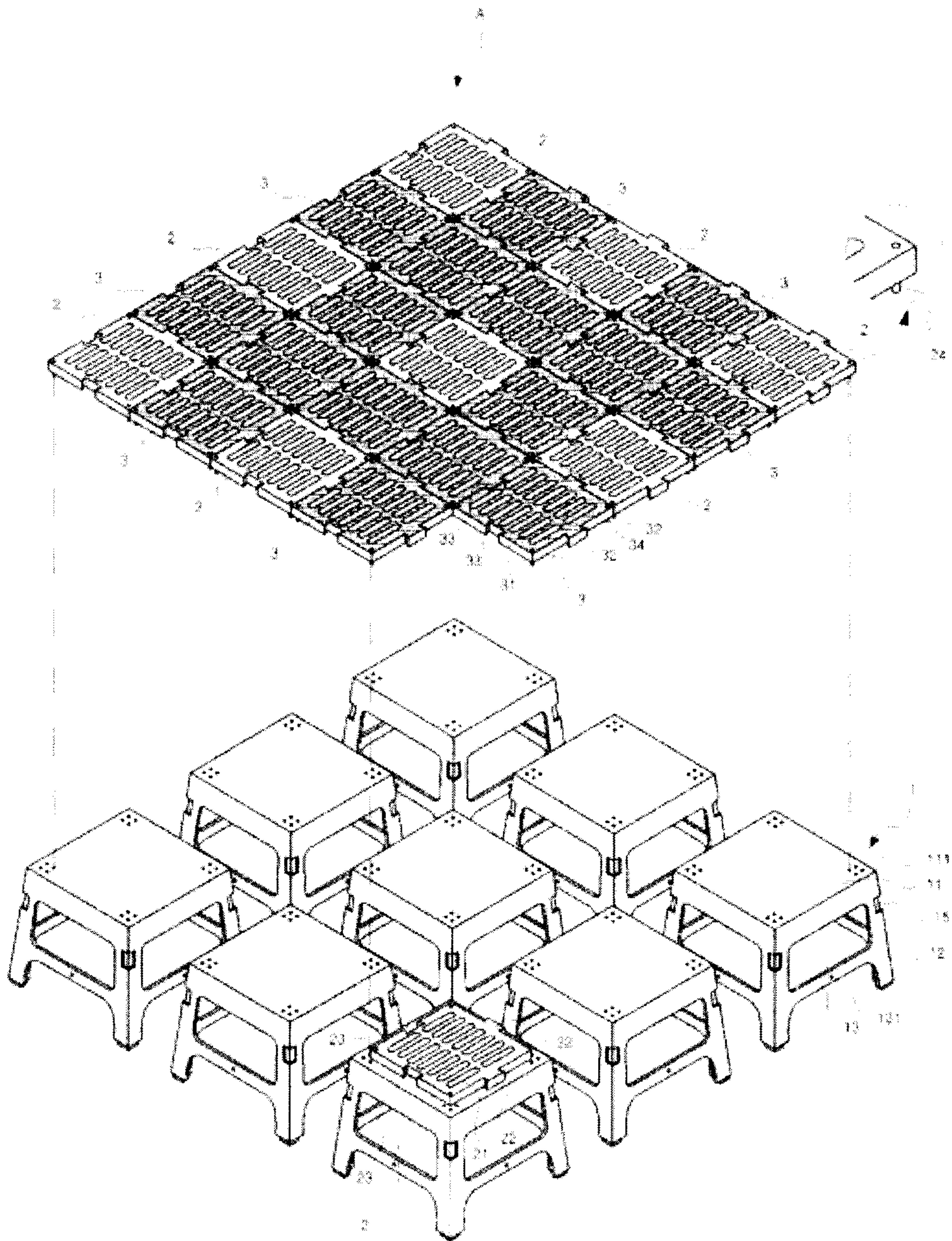
[Fig.2]



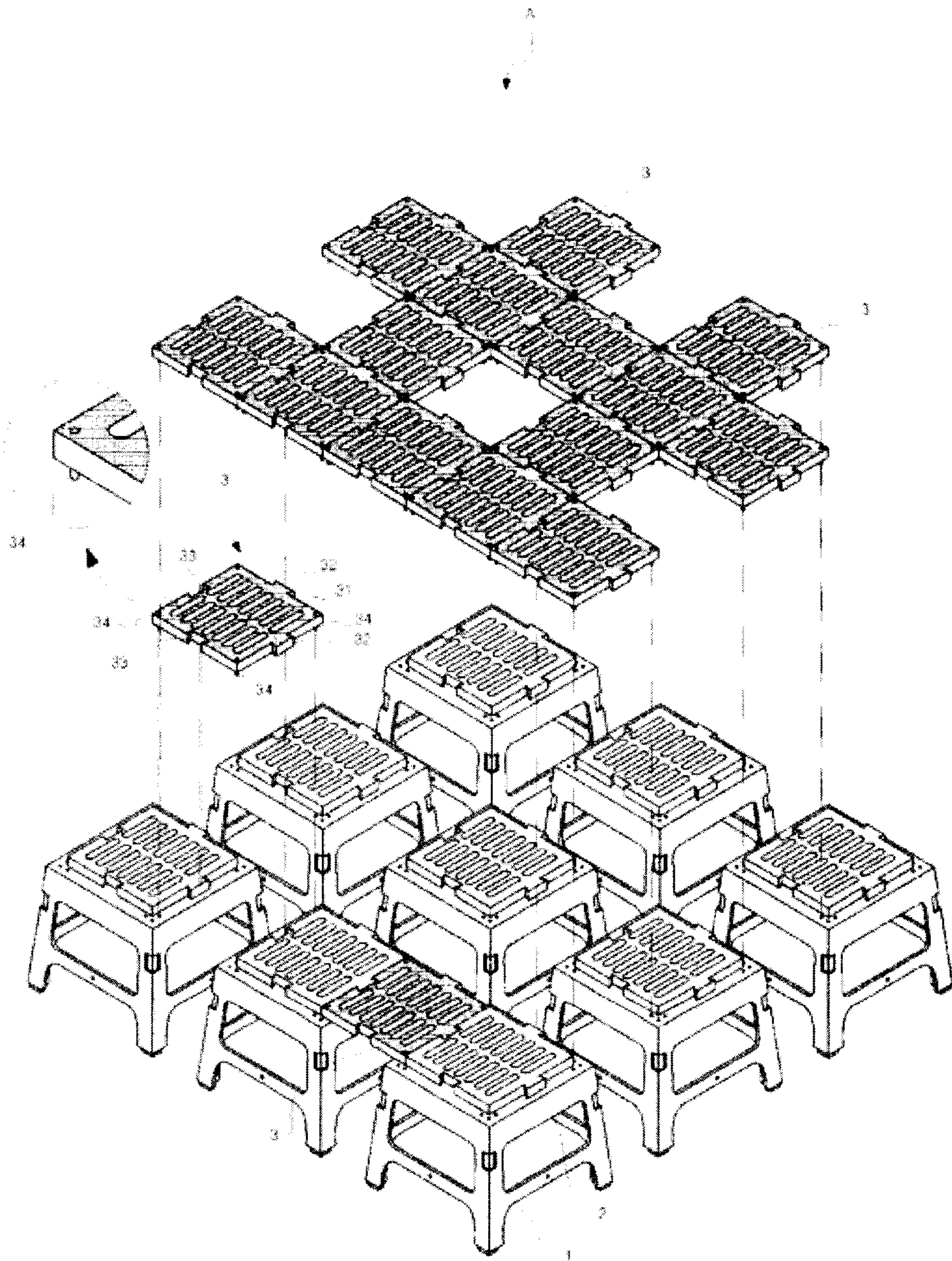
15

20

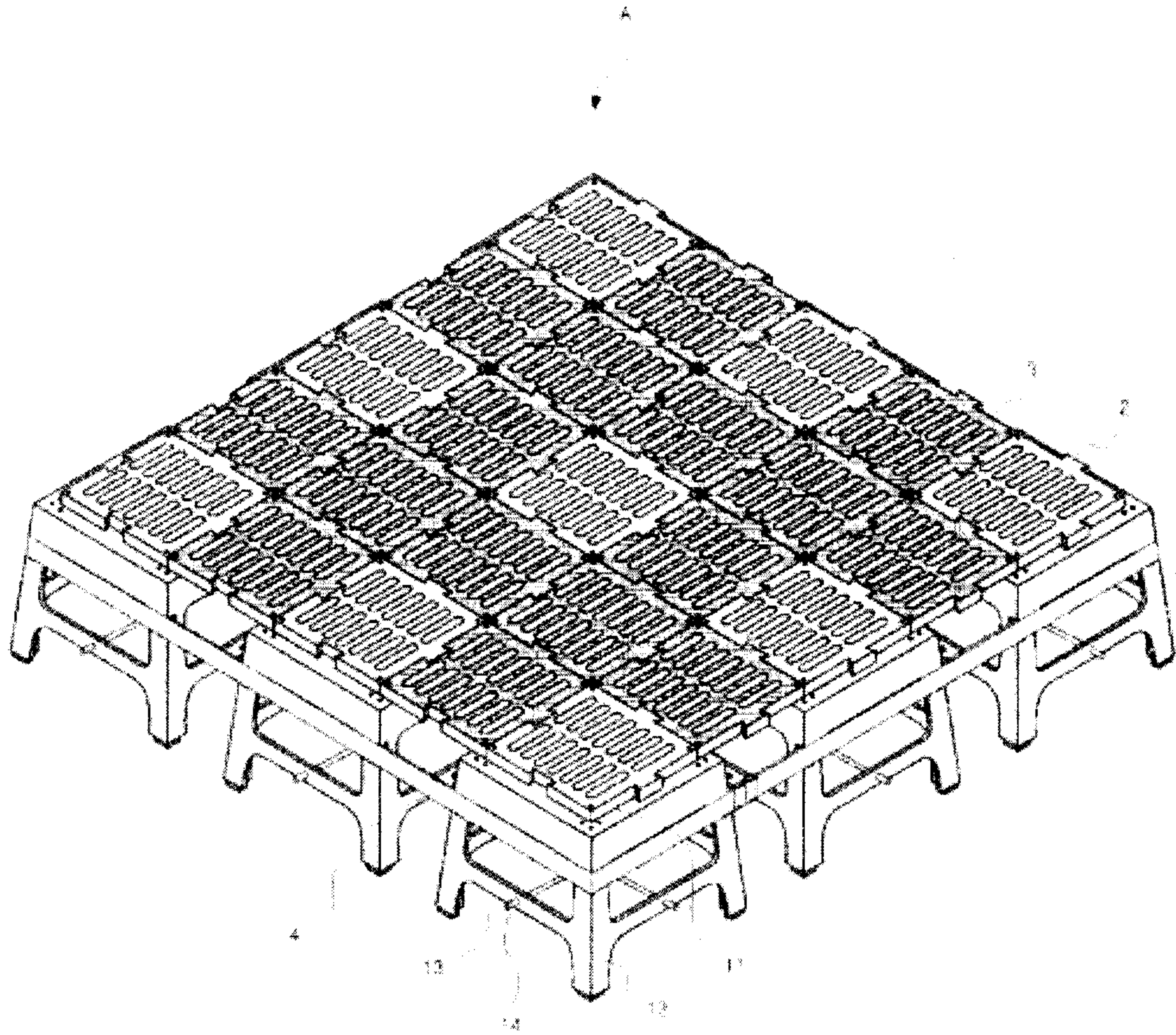
[Fig.3]



[Fig.4]



[Fig.5]

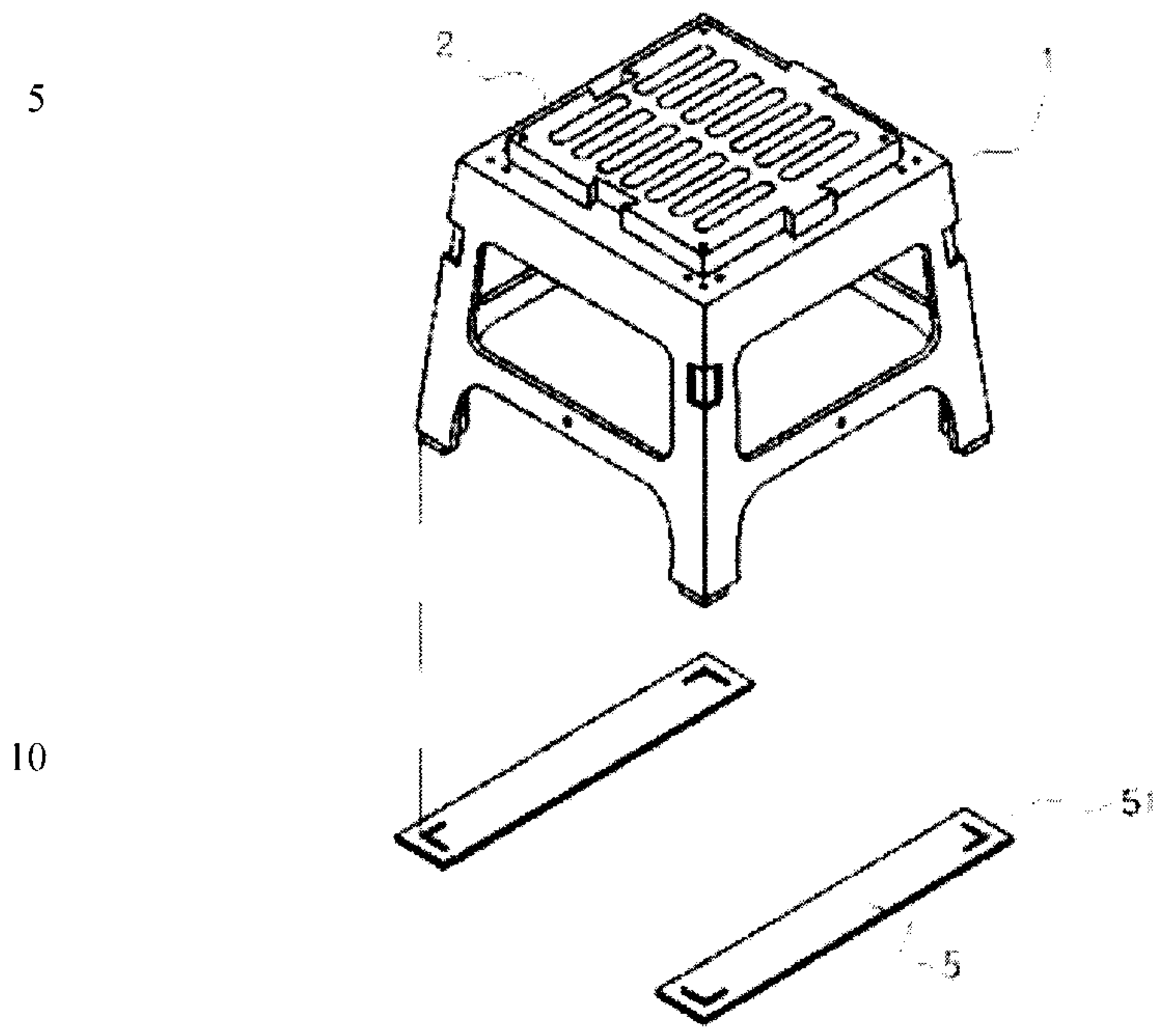


5

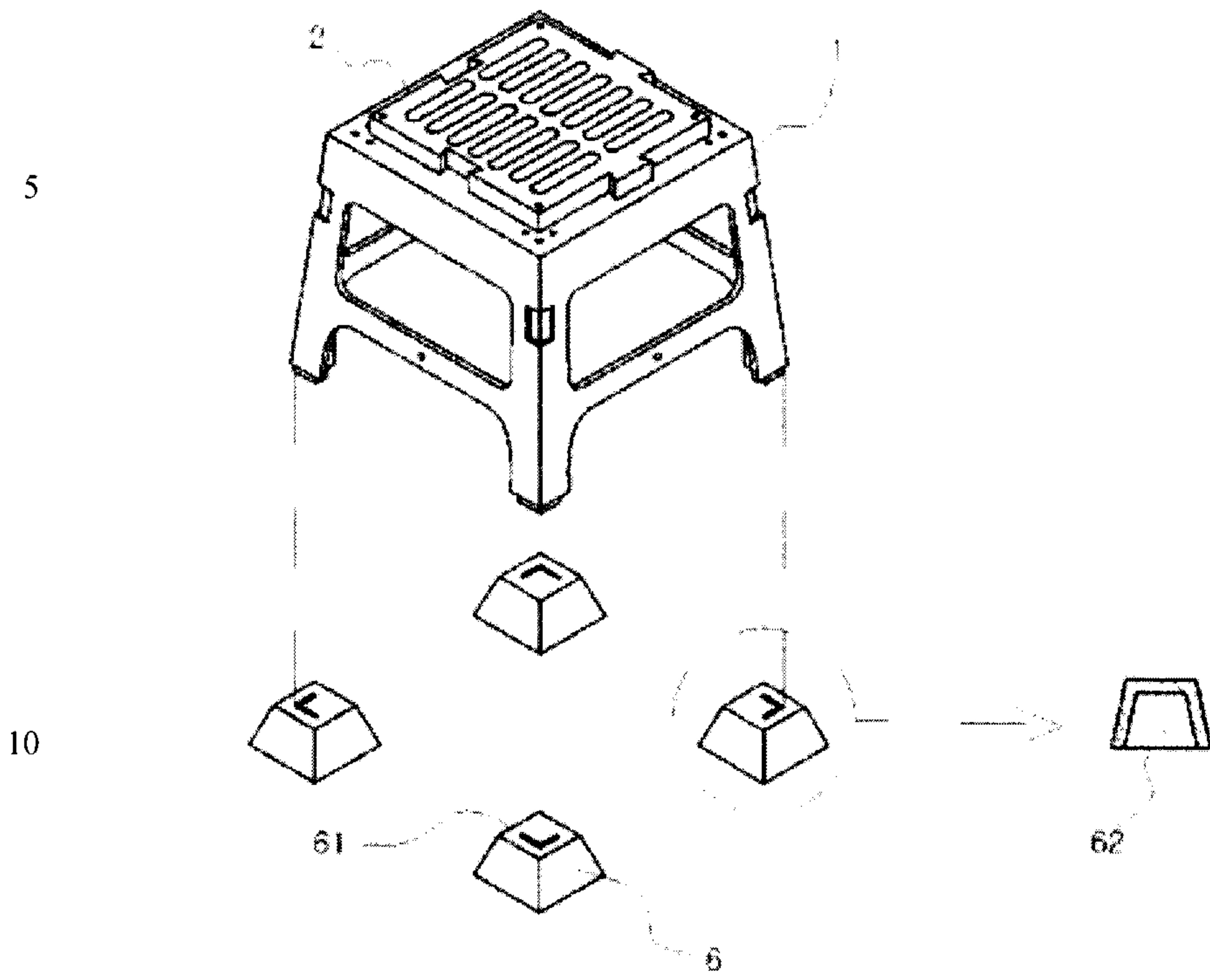
10



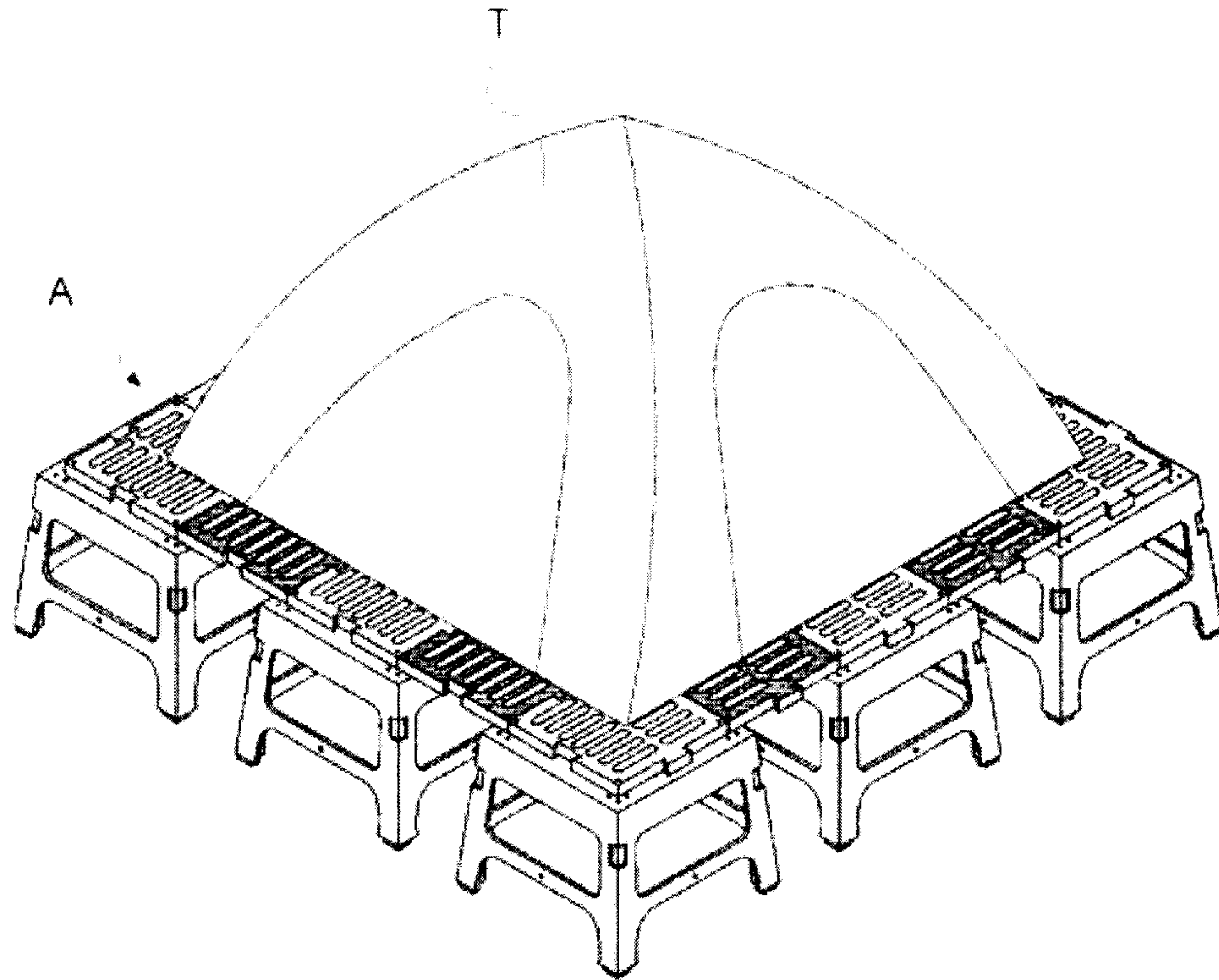
[Fig.7]



[Fig.8]



[Fig.9]



15

20

[Fig. 10]

