



US00D548193S

(12) **United States Design Patent**
Sandgren et al.

(10) **Patent No.:** **US D548,193 S**

(45) **Date of Patent:** **** Aug. 7, 2007**

(54) **ELECTRONICS MODULE ASSEMBLY**

(75) Inventors: **Daniel J. Sandgren**, Naperville, IL
(US); **Joseph R. Clark**, Naperville, IL
(US)

(73) Assignee: **Scientific-Atlanta, Inc.**, Lawrenceville,
GA (US)

(**) Term: **14 Years**

(21) Appl. No.: **29/229,718**

(22) Filed: **May 11, 2005**

(51) **LOC (8) CL.** **13-03**

(52) **U.S. CL.** **D13/162**

(58) **Field of Classification Search** D13/158-168,
D13/118, 122, 123, 179, 171, 184; D14/371,
D14/240, 239; D10/46, 49, 96; D24/215;
361/728, 729, 736, 740, 752, 761; 315/291,
315/294, 295; 362/559, 225; 700/17-32;
345/173, 156; 439/761, 341

See application file for complete search history.

(56) **References Cited**

U.S. PATENT DOCUMENTS

D274,615 S *	7/1984	Bean et al.	D13/162
D281,493 S *	11/1985	Prager et al.	D13/162.1
4,558,914 A *	12/1985	Prager et al.	439/259
4,672,511 A *	6/1987	Meusel et al.	361/802
D305,230 S *	12/1989	Math	D14/358
D309,600 S *	7/1990	Backes	D13/162.1
D338,448 S *	8/1993	Onyszko	D13/162
D345,144 S *	3/1994	Thomas	D13/162.1
D356,996 S *	4/1995	Henderson et al.	D13/110

6,172,875 B1 *	1/2001	Suzuki et al.	361/729
D464,326 S	10/2002	Clark et al.	D13/162
D482,691 S *	11/2003	McClelland et al.	D14/432
D492,292 S *	6/2004	Ogren	D14/240
D501,830 S *	2/2005	Kikuchi et al.	D13/147
6,870,746 B2 *	3/2005	Leeson et al.	361/816
D537,044 S *	2/2007	Weitz et al.	D13/151
2006/0256541 A1 *	11/2006	Sandgren et al.	361/796

* cited by examiner

Primary Examiner—Selina Sikder

Assistant Examiner—Thomas Johannes

(57) **CLAIM**

The ornamental design of an electronics module assembly, as shown and described.

DESCRIPTION

FIG. 1 is a top front left perspective view of an electronics module assembly in accordance with the present invention; FIG. 2 is an exploded view of the electronics module assembly of FIG. 1;

FIG. 3 is a front plan view thereof;

FIG. 4 is a rear plan view thereof;

FIG. 5 is a left side elevational view thereof;

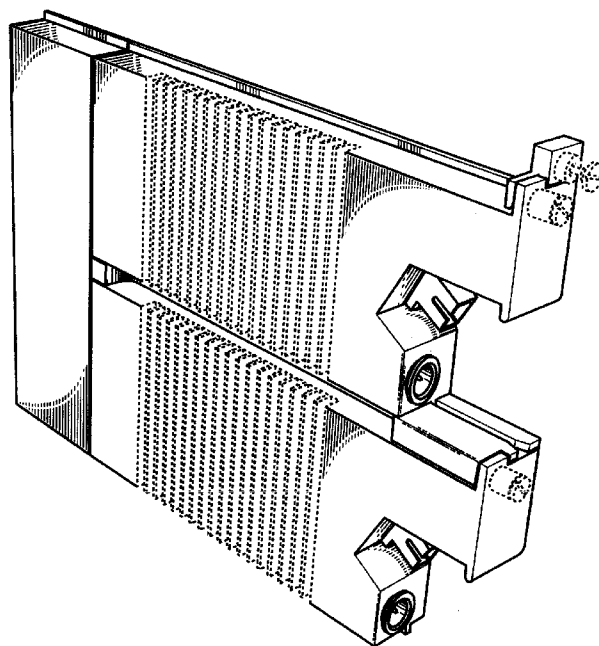
FIG. 6 is a right side elevational view thereof;

FIG. 7 is a top elevational view; and,

FIG. 8 is a bottom elevational view thereof.

The broken line showing is for illustrative purposes only and forms no part of the claimed design.

1 Claim, 6 Drawing Sheets



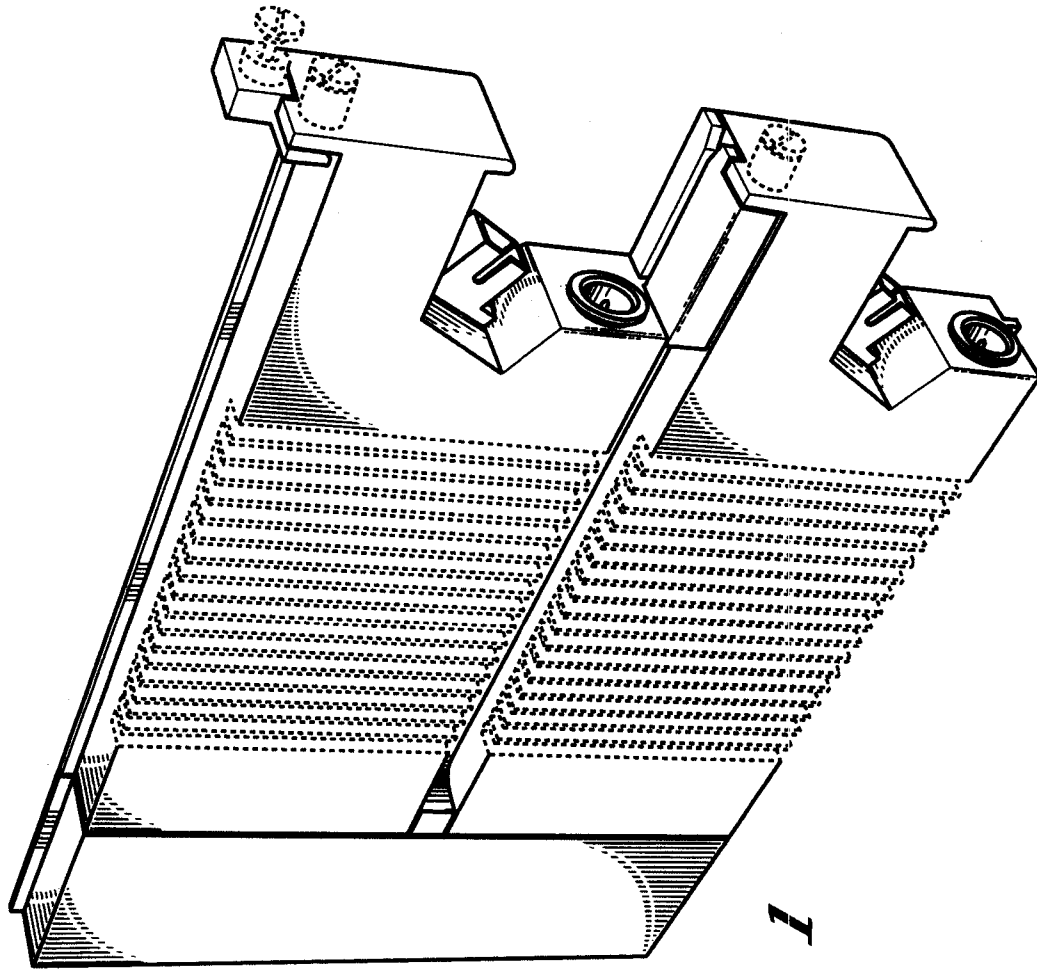


Fig. 1

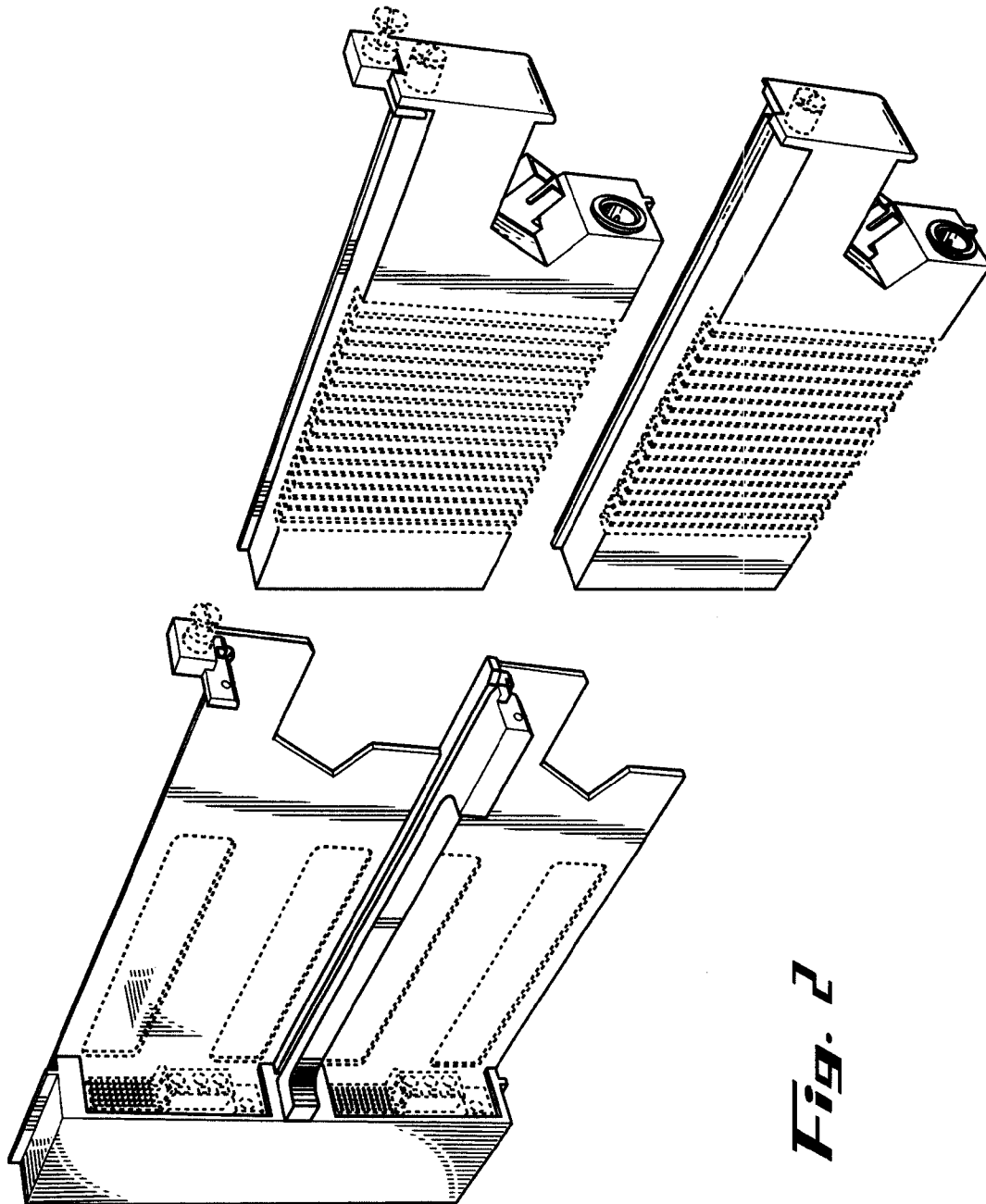


Fig. 2

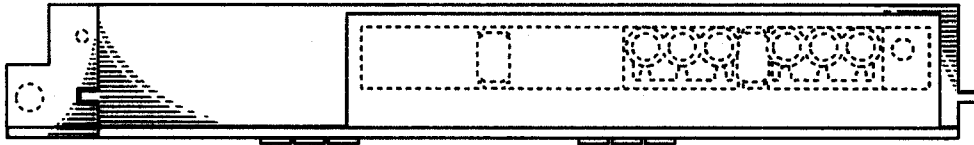


Fig. 4

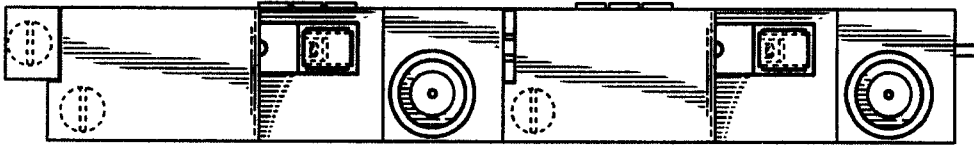


Fig. 3

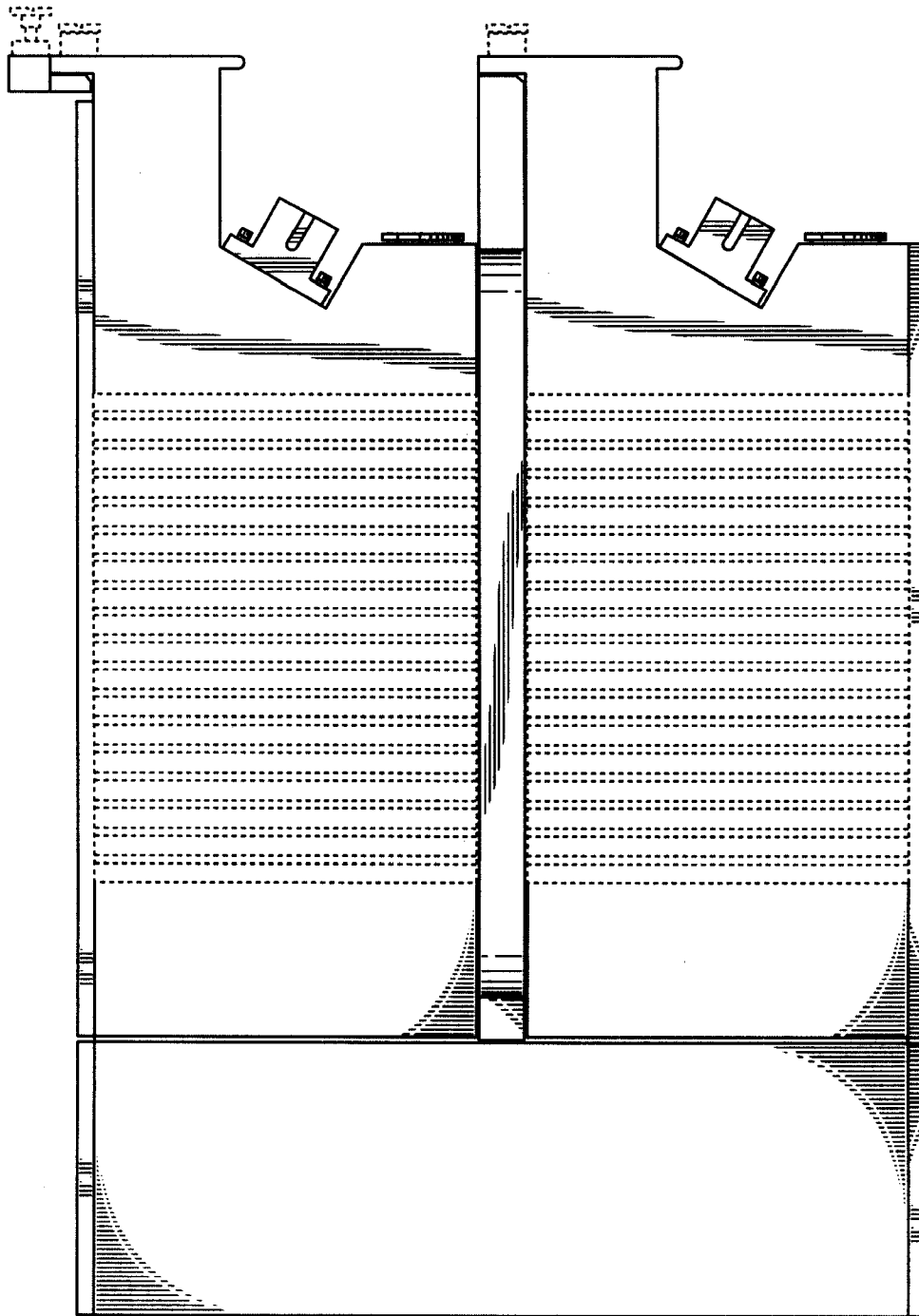


Fig. 5

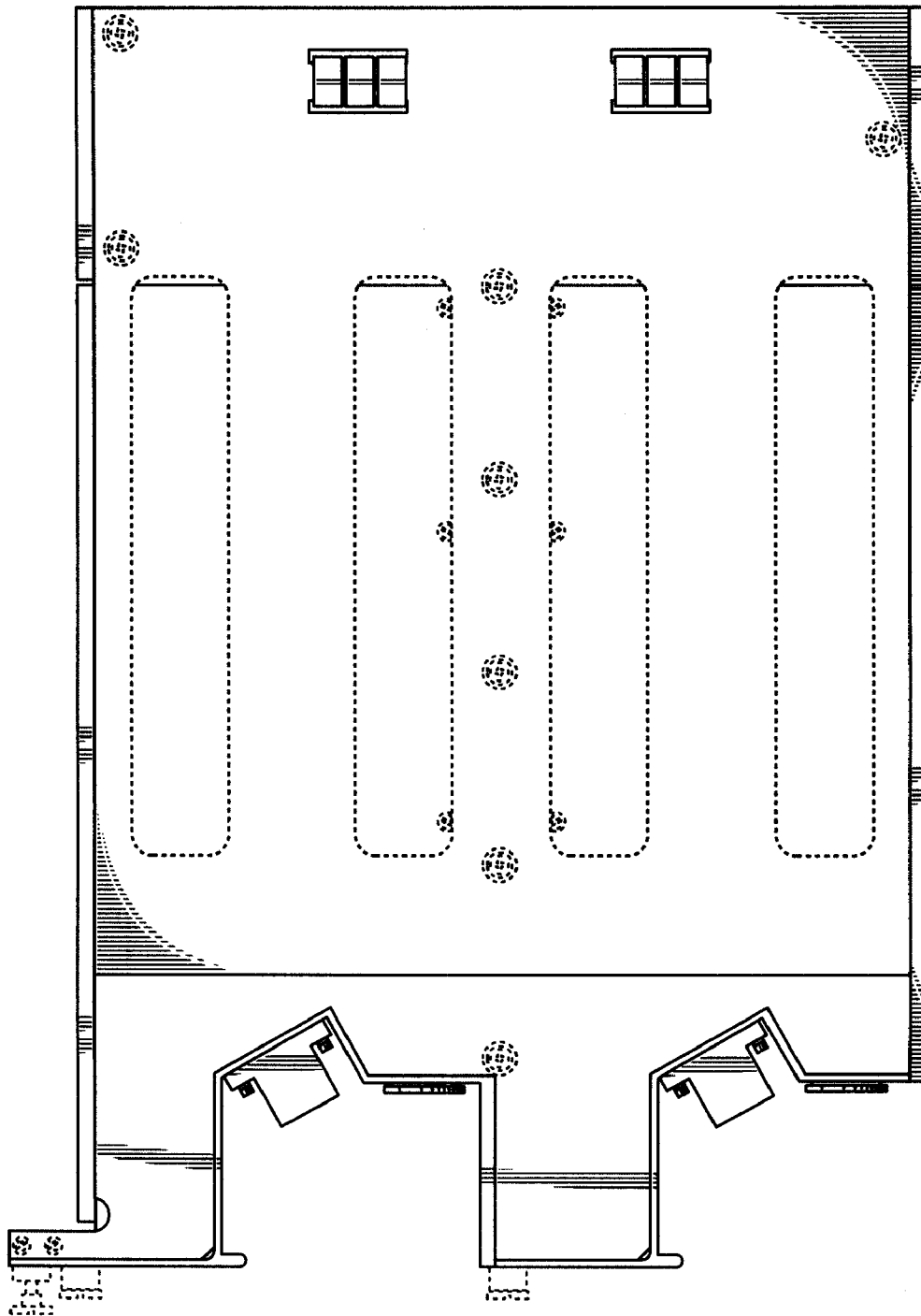


Fig. 6

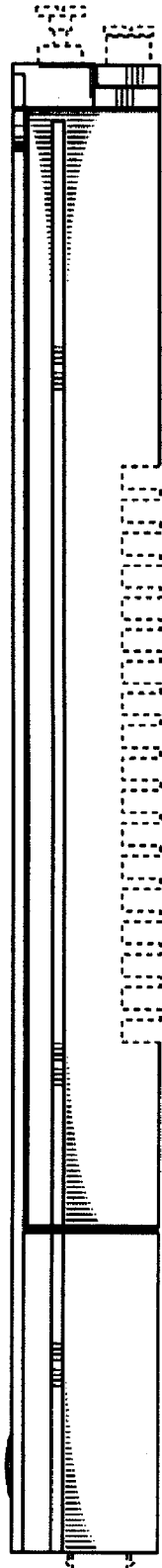


Fig. 7

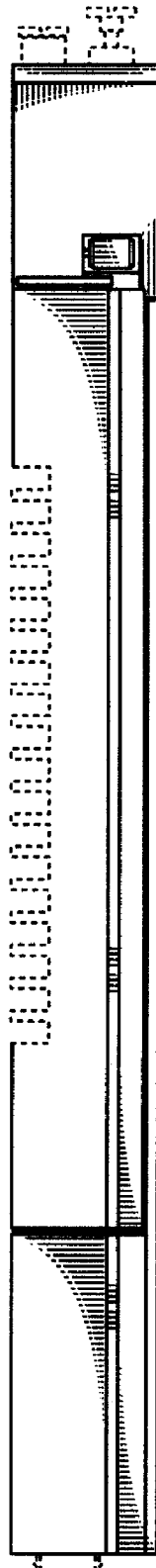


Fig. 8