



US00D855596S

(12) **United States Design Patent**
Harley et al.

(10) **Patent No.:** **US D855,596 S**

(45) **Date of Patent:** **** Aug. 6, 2019**

(54) **ENCLOSURE FOR A NETWORK EXTENDER**

(71) Applicant: **ARRIS Enterprises LLC**, Suwanee, GA (US)

(72) Inventors: **Paul Joseph Harley**, West Yorkshire (GB); **Chien-Cheng Huang**, Poway, CA (US); **Xue-Hong Wu**, New Taipei (TW); **John Hausman**, San Diego (CA); **Lars Kristoffer Roberg**, Linköping (SE)

(73) Assignee: **ARRIS Enterprises LLC**, Suwanee, GA (US)

(**) Term: **15 Years**

(21) Appl. No.: **29/630,207**

(22) Filed: **Dec. 20, 2017**

(51) **LOC (12) Cl.** **14-03**

(52) **U.S. Cl.**
USPC **D14/242**

(58) **Field of Classification Search**
USPC D14/240, 242, 357, 358, 125, 126, D14/140-140.9

CPC H04L 12/00; H03K 17/00; H04W 88/00; H04W 88/005; H04W 88/02; H04W 88/08; H04W 88/085; H04W 88/10; H04W 88/12; H04W 88/14; H04B 1/38
See application file for complete search history.

(56) **References Cited**

U.S. PATENT DOCUMENTS

D491,563 S *	6/2004	Sato	D14/242
D540,793 S *	4/2007	Kim	D14/240
D592,661 S *	5/2009	Woo	D14/242
D636,383 S *	4/2011	Hao	D14/242
D638,003 S *	5/2011	Chen	D14/203.7
D670,277 S *	11/2012	Huang	D14/240
D705,782 S *	5/2014	McParland	D14/435

D707,667 S *	6/2014	Kono	D14/240
D709,507 S *	7/2014	McParland	D14/435
D719,939 S *	12/2014	Liang	D14/240
D735,179 S *	7/2015	Yang	D14/240

(Continued)

Primary Examiner — Bridget L Eland

(74) *Attorney, Agent, or Firm* — Bart A. Perkins

(57) **CLAIM**

The ornamental design for an enclosure for a network extender, as shown and described.

DESCRIPTION

FIG. 1 is a top-front perspective view of an enclosure for a network extender.

FIG. 2 is a top view of the enclosure for a network extender.

FIG. 3 is a front elevation view of the enclosure for a network extender.

FIG. 4 is a rear elevation view of the enclosure for a network extender.

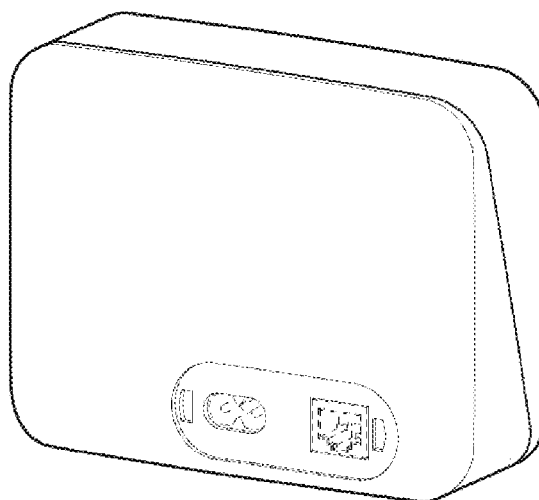
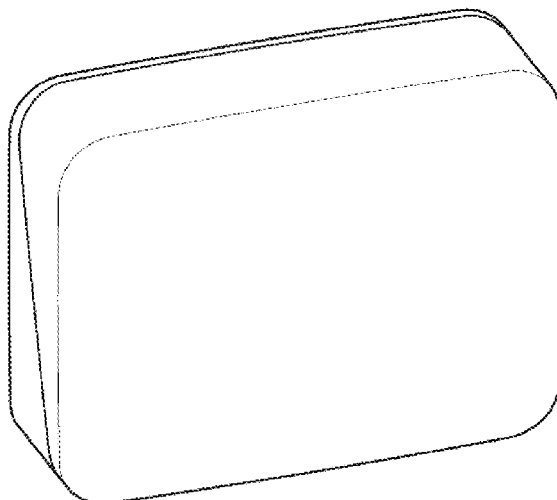
FIG. 5 is a left side elevation view of the enclosure for a network extender. The right side elevation view of the enclosure for a network extender is a mirror image of the left side elevation view of the enclosure for a network extender.

FIG. 6 is a bottom view of the enclosure for a network extender.

FIG. 7 is a top-rear perspective view of the enclosure for a network extender; and, FIG. 8 is an enlarged cross-section view of the enclosure for a network extender, taken in the direction of 8-8 and 8'-8' in FIG. 4.

The outermost broken lines immediately adjacent the claim represent the bounds of the claimed design while all other broken lines are directed to environment and are for illustrative purposes only; the broken lines form no part of the claimed design. The broken line arrows in the FIG. 4 view are included for reference purposes only and form no part of the claimed design.

1 Claim, 8 Drawing Sheets



(56)

References Cited

U.S. PATENT DOCUMENTS

D752,563 S *	3/2016	Hansen	D14/240
D768,607 S *	10/2016	Altonen	D14/240
D791,749 S *	7/2017	Tzeng	D14/242
D815,077 S *	4/2018	Sibley	D14/242

* cited by examiner

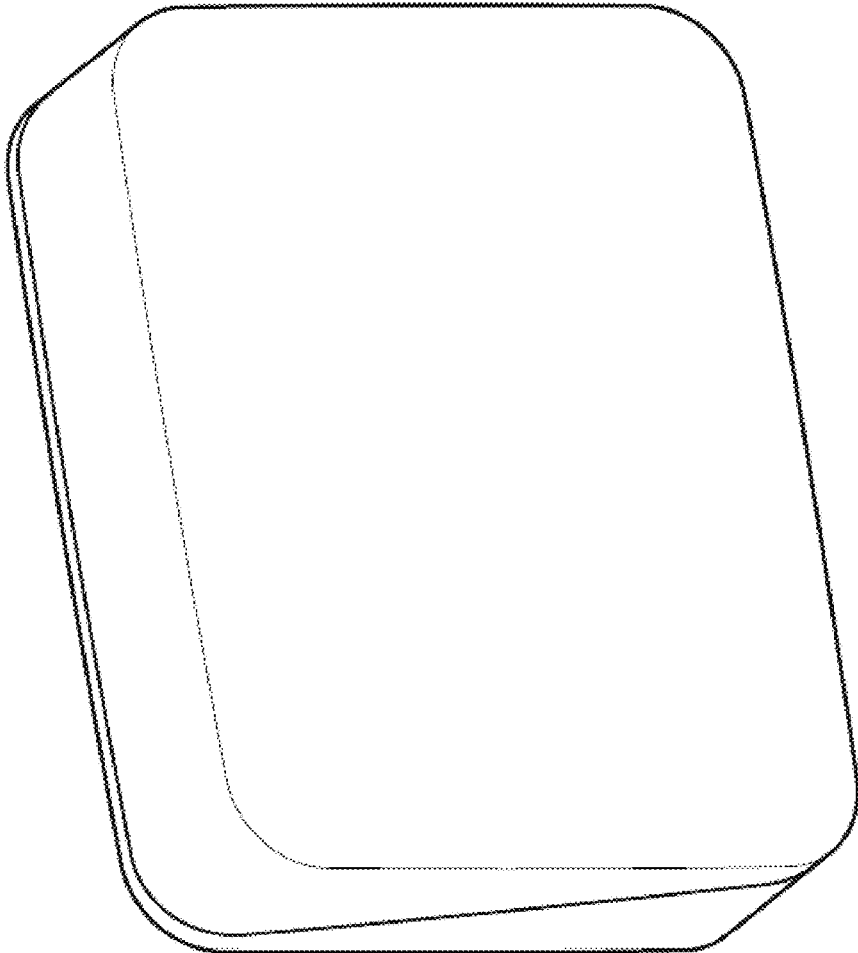


FIG. 1

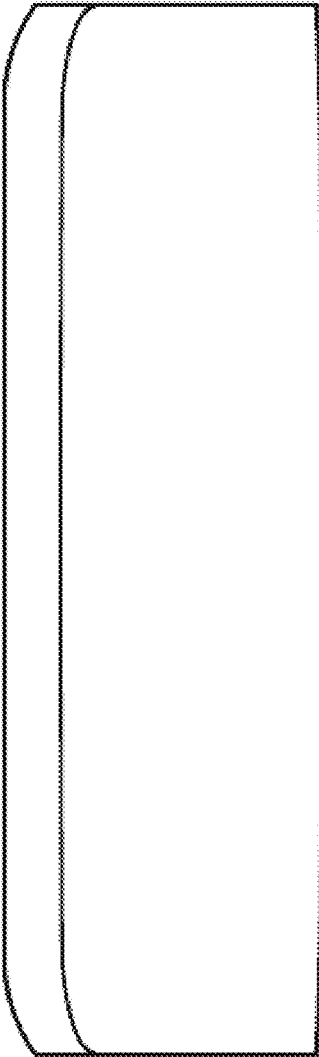


FIG. 2

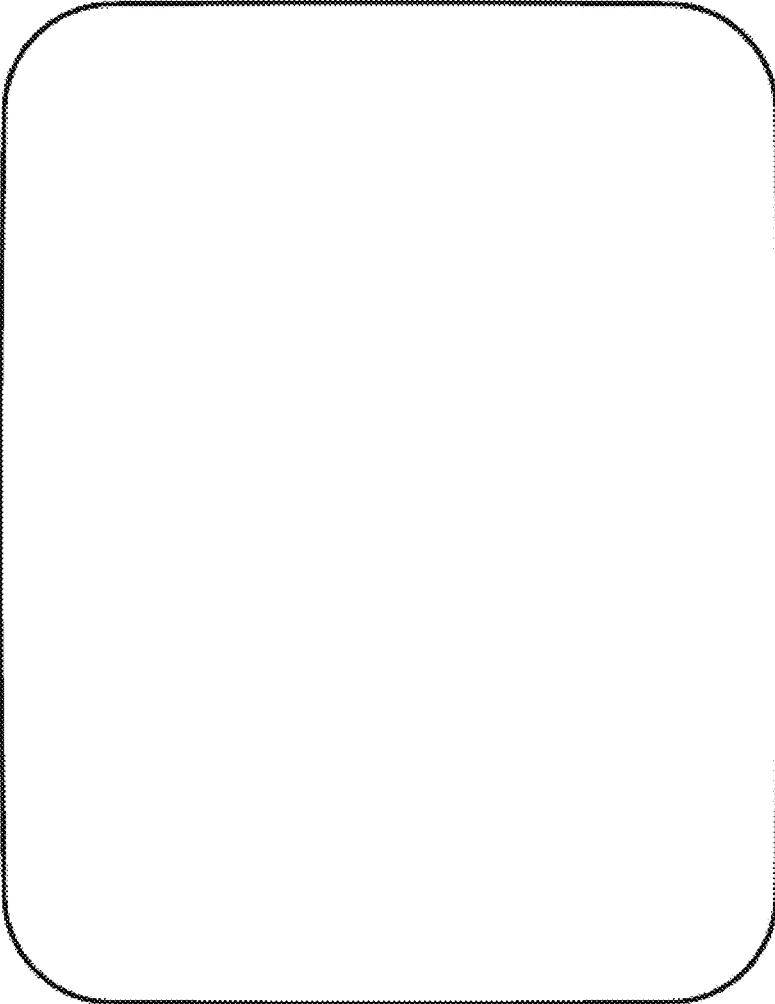


FIG. 3

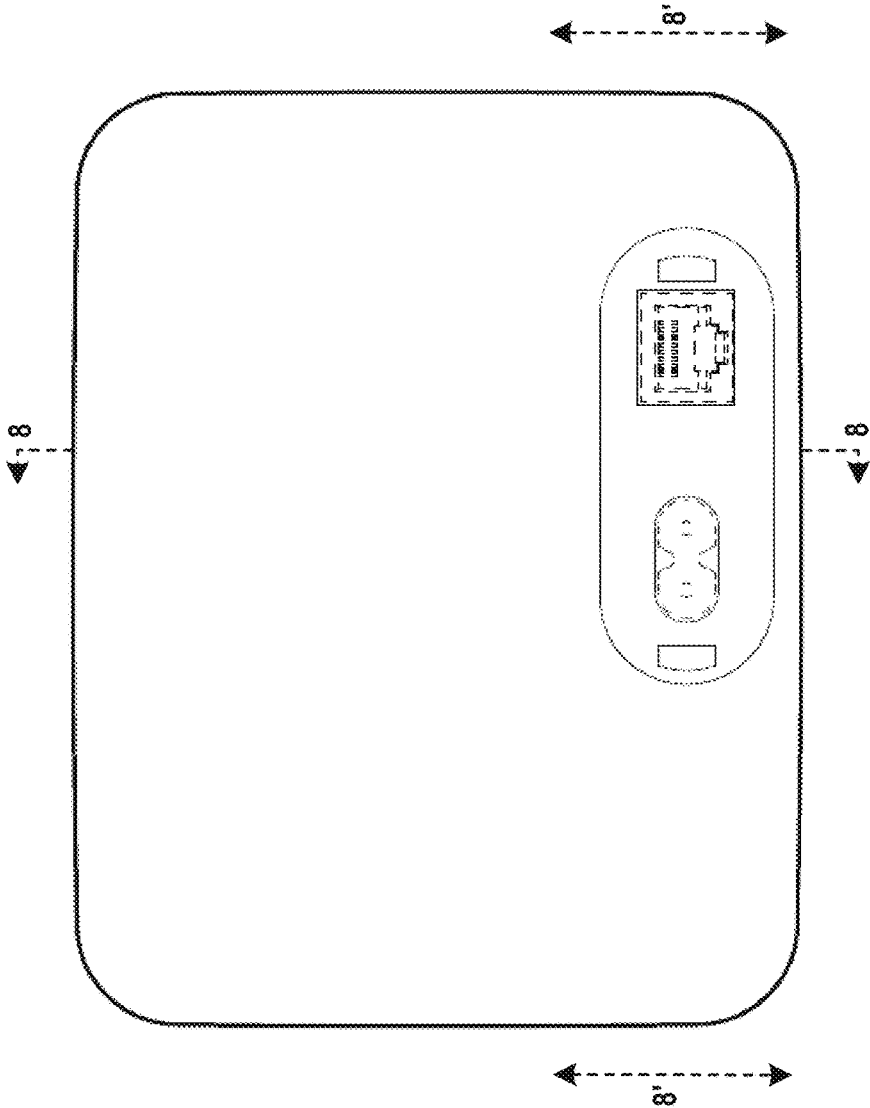


FIG. 4

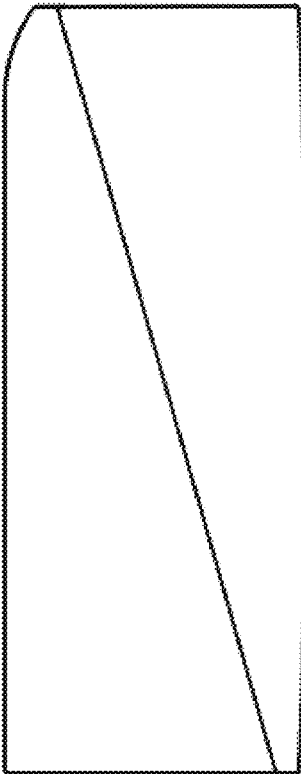


FIG. 5

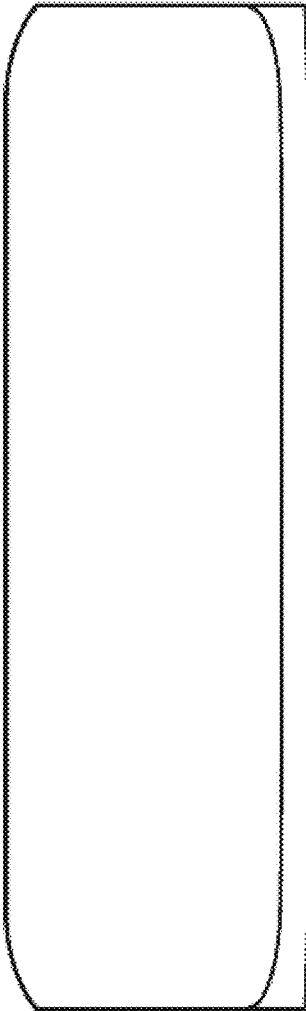


FIG. 6

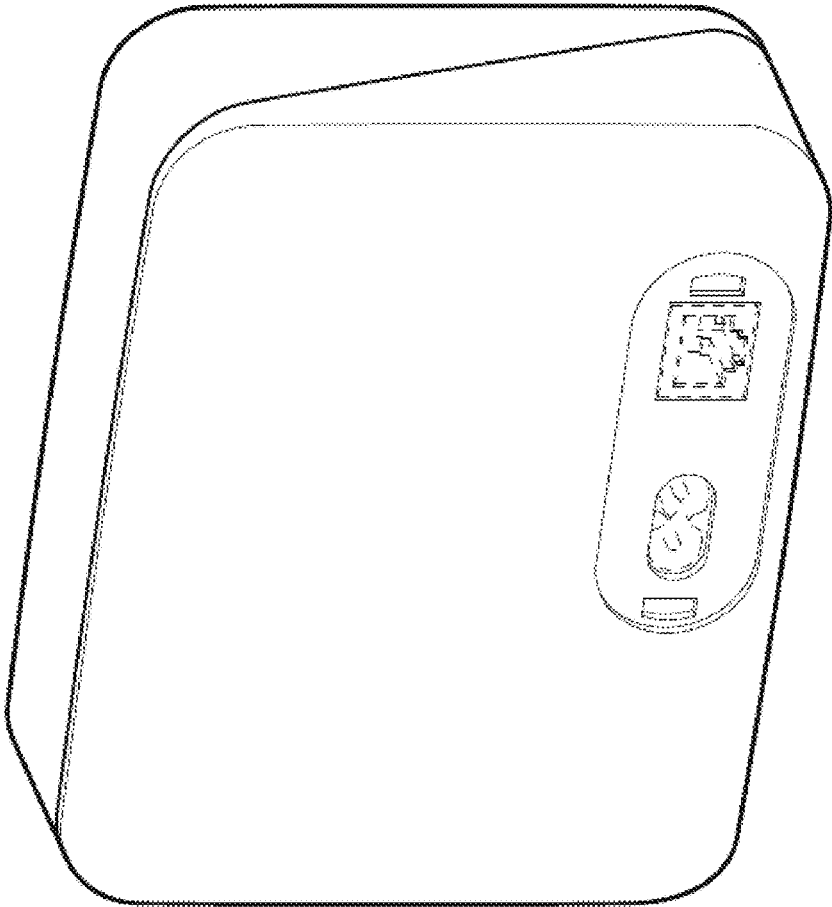


FIG. 7

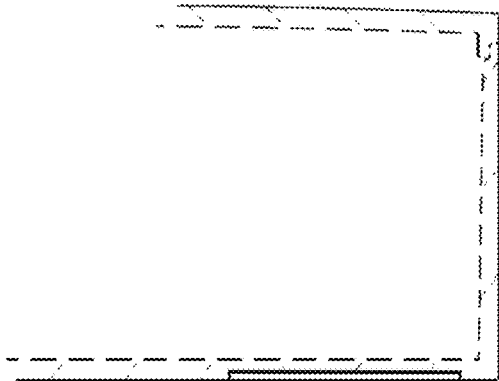


FIG. 8