



US0D1077992S

(12) **United States Design Patent**  
**Erickson**

(10) **Patent No.:** **US D1,077,992 S**

(45) **Date of Patent:** **\*\* Jun. 3, 2025**

(54) **DRAIN STRAINER**

(71) Applicant: **Revel Innovations, LLC**, Boone, IA  
(US)

(72) Inventor: **Nicholas Hans Erickson**, Boone, IA  
(US)

(73) Assignee: **Revel Innovations, LLC**, Boone, IA  
(US)

(\*\*) Term: **15 Years**

(21) Appl. No.: **29/969,915**

(22) Filed: **Oct. 24, 2024**

(51) **LOC (15) Cl.** ..... **23-01**

(52) **U.S. Cl.**

USPC ..... **D23/261**; D23/260; D23/259

(58) **Field of Classification Search**

USPC ..... D23/260-262, 209, 257, 258-259, 264,  
D23/267-268, 303

CPC ..... E03C 1/262; E03C 1/2306; E03C 1/22;  
E03C 1/24; E03C 1/2302; E03C 1/23;  
E03C 1/264; A47K 1/14

See application file for complete search history.

8,171,574 B2 5/2012 Escobar et al.  
D669,969 S 10/2012 Forrest et al.  
D672,438 S 12/2012 Noel  
D673,246 S 12/2012 Lee  
D673,247 S \* 12/2012 Eylon ..... D23/261  
D691,244 S 10/2013 Ho

(Continued)

**FOREIGN PATENT DOCUMENTS**

JP 2007198130 A 8/2007  
JP 4750142 B2 8/2011  
JP 6734507 B2 8/2020

**OTHER PUBLICATIONS**

Ktopmusic1, posted at Youtube.com, posted on Mar. 22, 2023, site visited Oct. 24, 2024. online, available from internet: [https://www.youtube.com/watch?v=6NiF\\_4Qnhrw](https://www.youtube.com/watch?v=6NiF_4Qnhrw).

*Primary Examiner* — Calvin E Vansant

*Assistant Examiner* — Jonathan E Fiencke

(74) *Attorney, Agent, or Firm* — Brett A. Schenck

(57)

**CLAIM**

The ornamental design for a drain strainer, as shown and described.

(56) **References Cited**

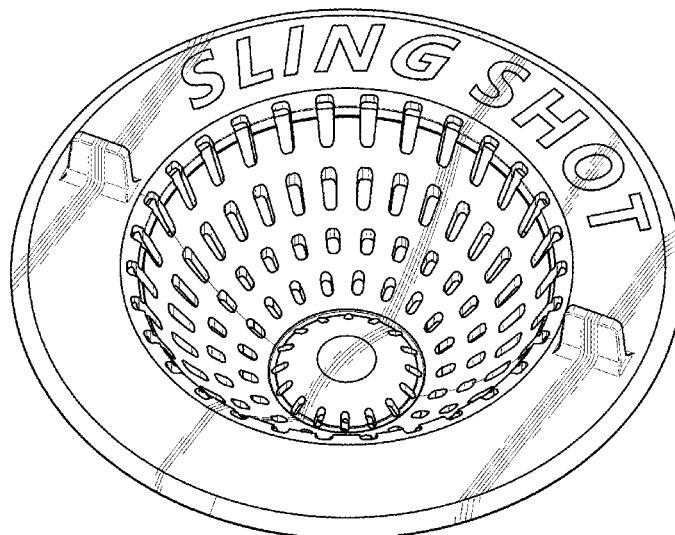
**U.S. PATENT DOCUMENTS**

3,753,496 A 8/1973 Boyd  
6,418,568 B1 7/2002 Briggs et al.  
6,487,729 B2 12/2002 Delanzo  
D517,175 S 3/2006 Holsen  
D517,664 S \* 3/2006 Hill ..... D23/261  
7,013,500 B1 3/2006 Lin  
7,150,576 B1 12/2006 Kambeyanda  
D550,819 S 9/2007 Seehoff  
7,458,108 B2 \* 12/2008 Wolf ..... A47K 1/14  
4/290  
D599,444 S 9/2009 Jones  
D613,829 S \* 4/2010 Griffin ..... D23/260  
7,802,739 B2 9/2010 Scorvo et al.  
7,832,027 B2 11/2010 Escobar et al.

**DESCRIPTION**

FIG. 1 is a top perspective view of a drain strainer, showing my new design;  
FIG. 2 is a bottom perspective view thereof;  
FIG. 3 is a top plan view thereof;  
FIG. 4 is a front elevational view thereof;  
FIG. 5 is a right side elevational view thereof;  
FIG. 6 is a rear elevational view thereof;  
FIG. 7 is a left side elevational view thereof;  
FIG. 8 is a bottom plan view thereof; and,  
FIG. 9 is a sectional view thereof taken along line 9-9 in FIG. 3.

**1 Claim, 9 Drawing Sheets**





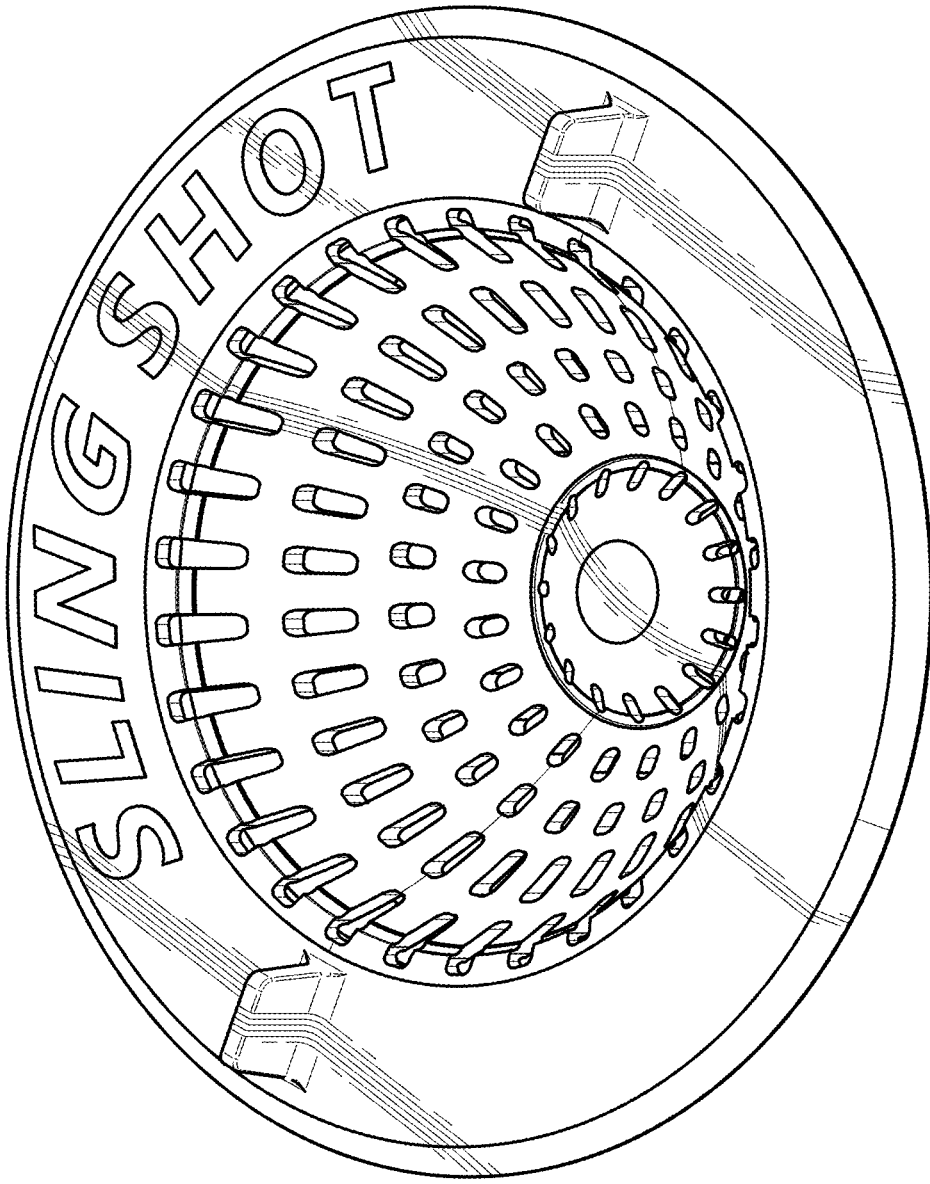


FIG. 1

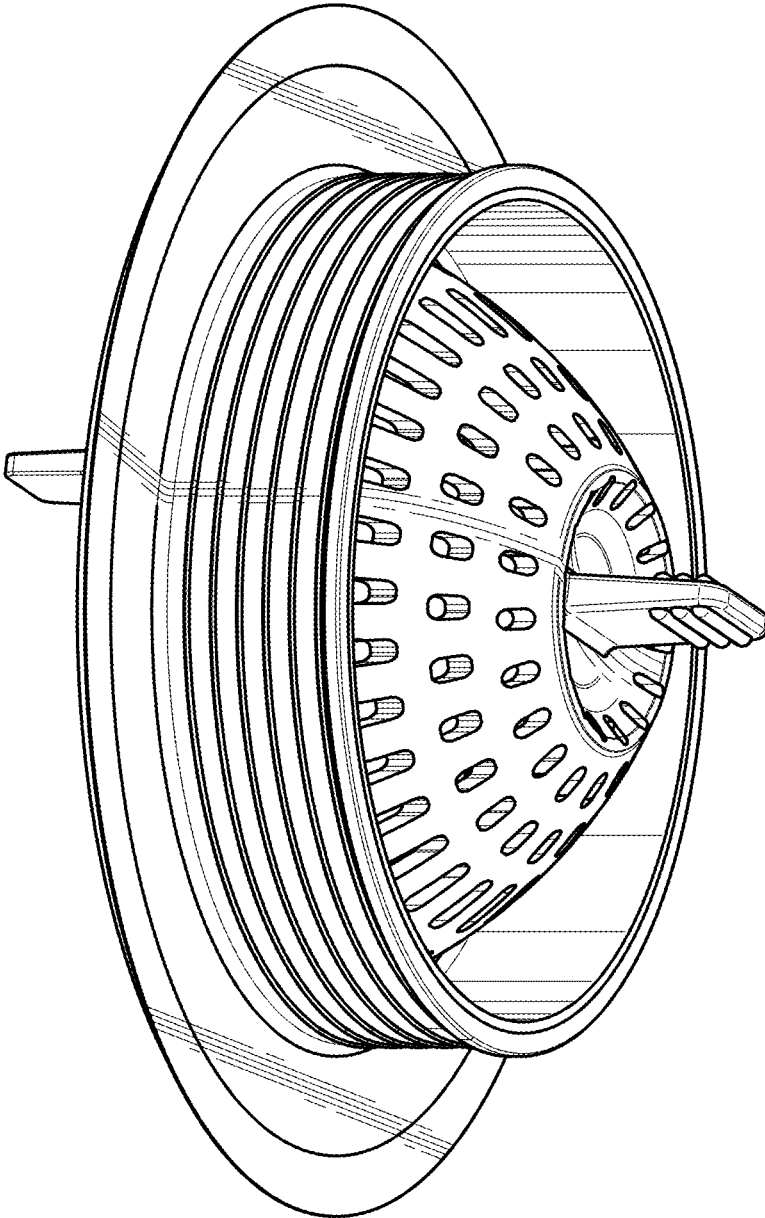


FIG. 2

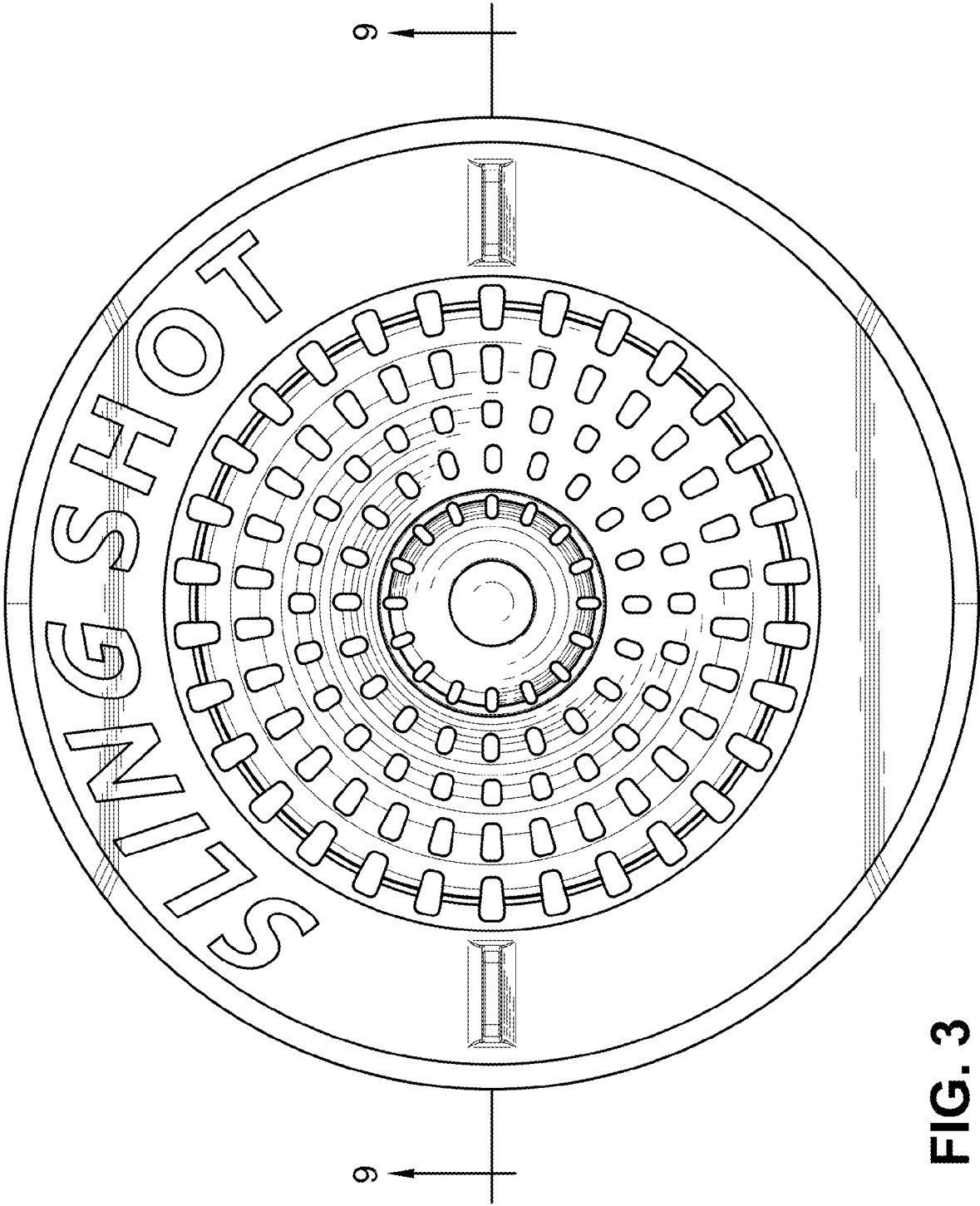


FIG. 3

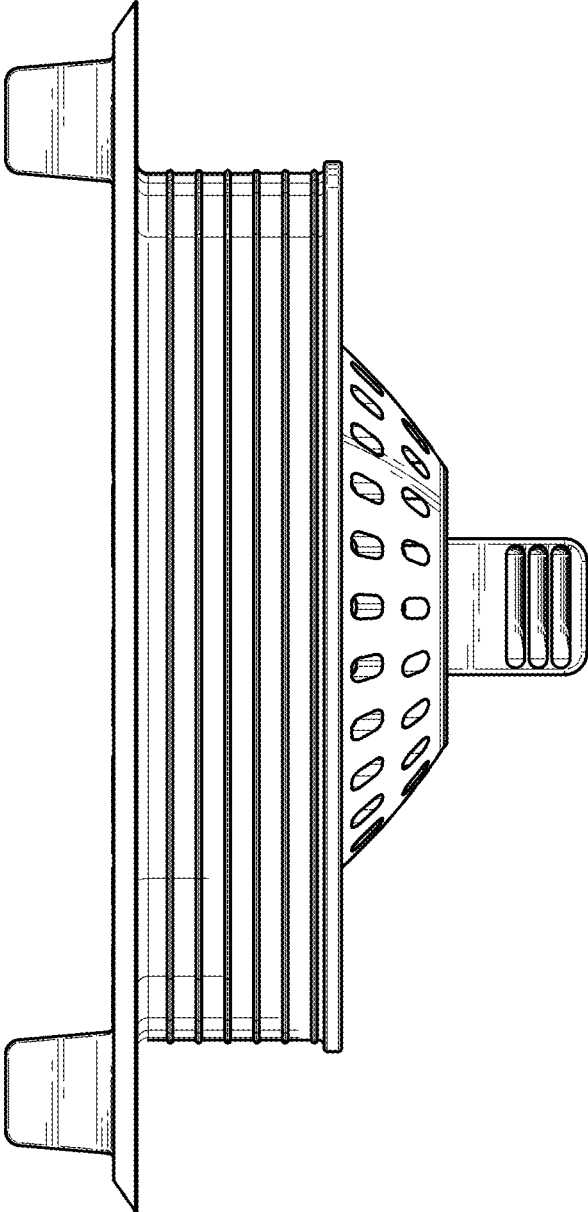


FIG. 4

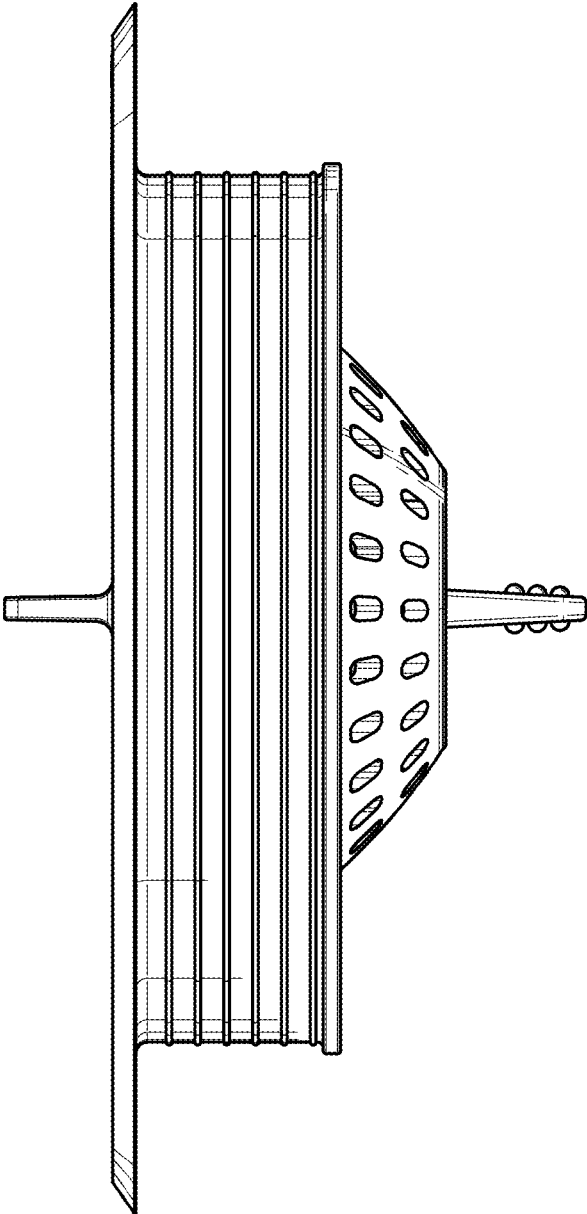


FIG. 5

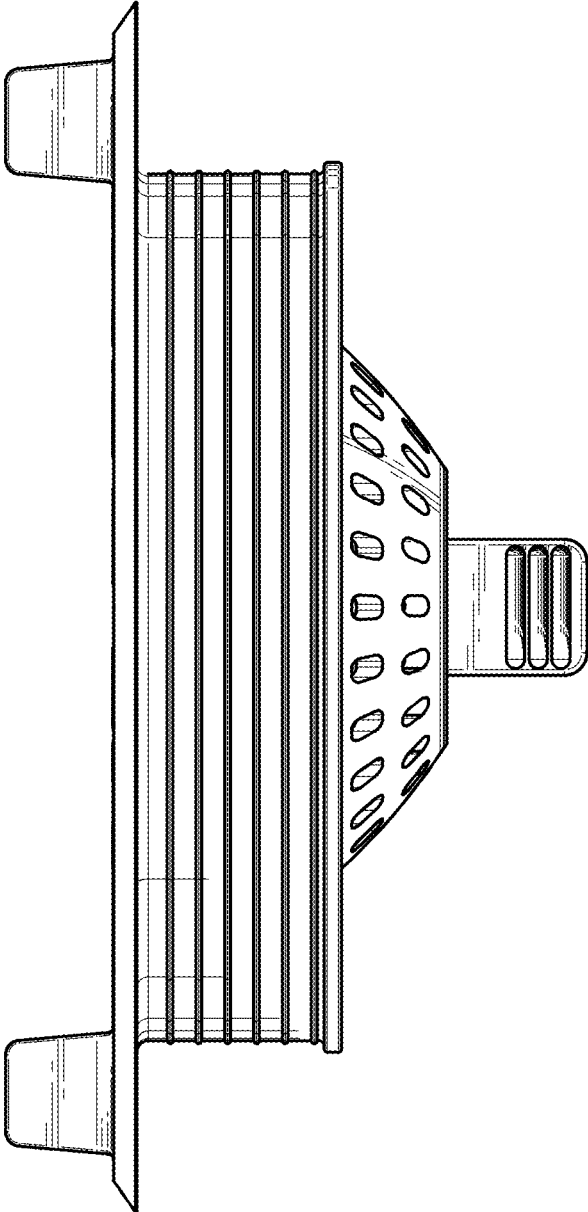


FIG. 6

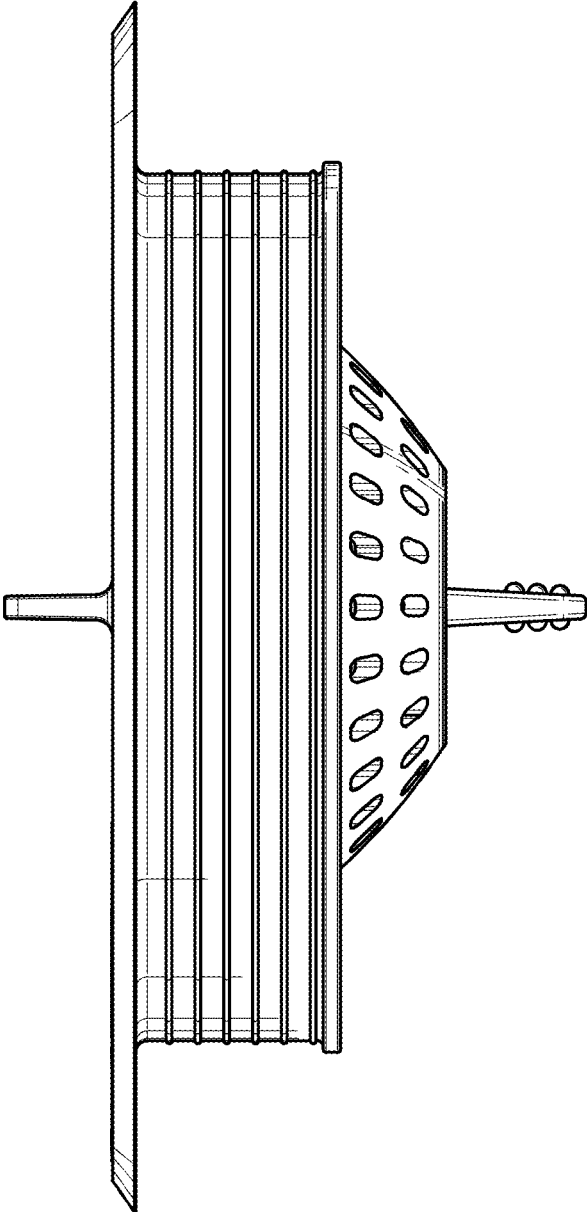


FIG. 7

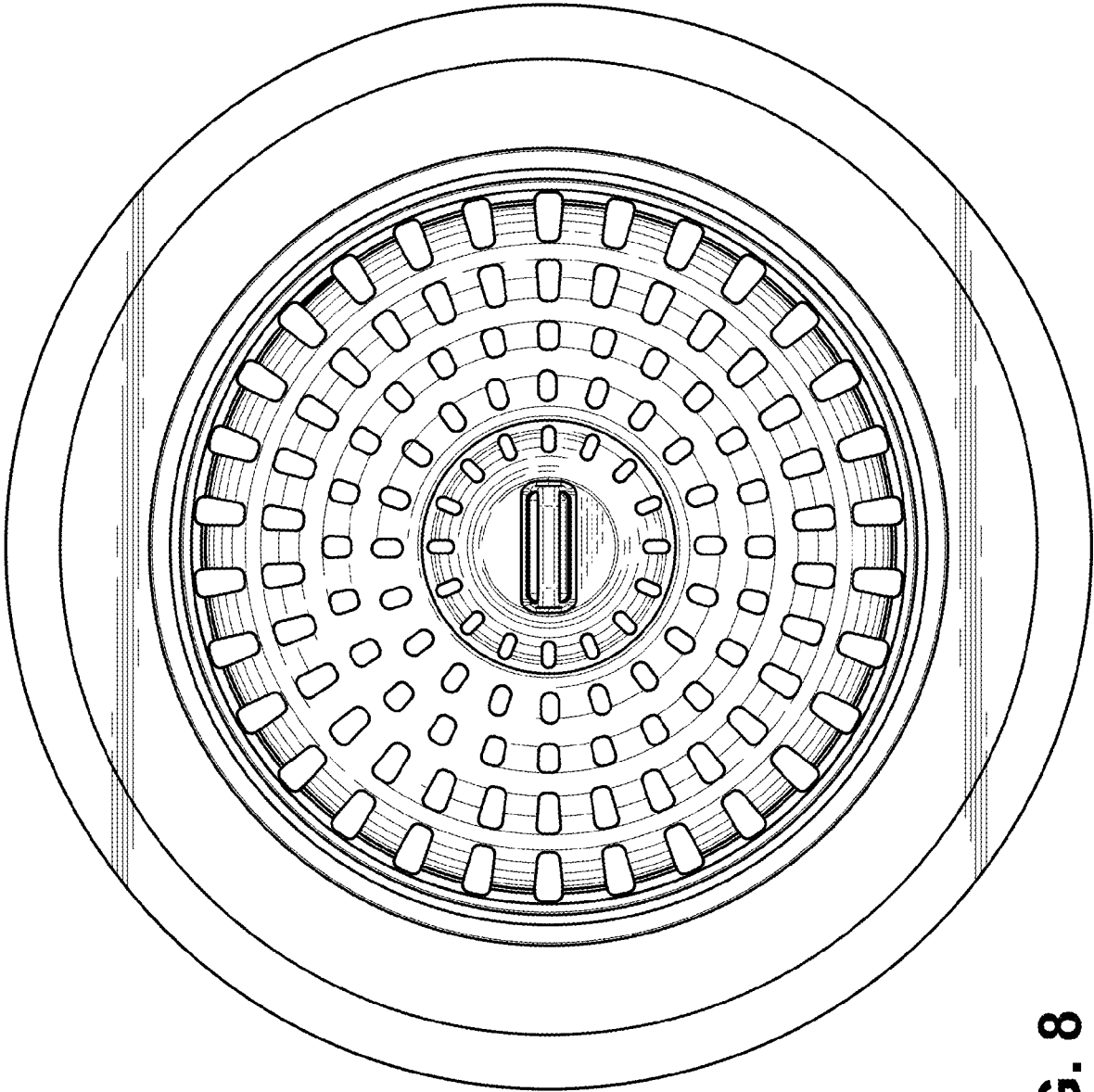


FIG. 8

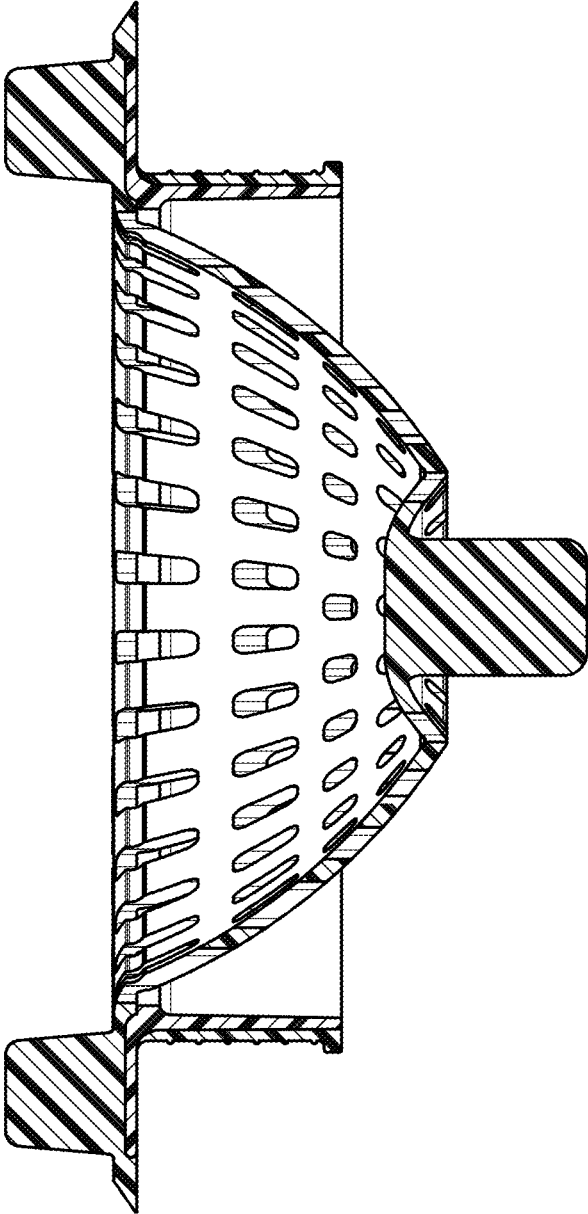


FIG. 9