



US00D844429S

(12) **United States Design Patent**
Chapps et al.

(10) **Patent No.:** **US D844,429 S**

(45) **Date of Patent:** **** Apr. 2, 2019**

(54) **PRODUCT PACKAGING**

(71) Applicant: **BOWERY FARMING INC.**, New York, NY (US)

(72) Inventors: **Scott Chapps**, Brooklyn, NY (US); **Jon Eng**, Brooklyn, NY (US); **Simon Endres**, Brooklyn, NY (US)

(73) Assignee: **BOWERY FARMING INC.**, New York, NY (US)

(**) Term: **15 Years**

(21) Appl. No.: **29/616,110**

(22) Filed: **Sep. 1, 2017**

(51) **LOC (11) Cl.** **09-03**

(52) **U.S. Cl.**
USPC **D9/425**

(58) **Field of Classification Search**
USPC D7/538–542, 602, 608, 629; D9/414, D9/420, 424–426, 429, 432, 761; 206/501–509; 220/781, 791, 793, 220/811–813, 835, 839
CPC B65D 1/24; B65D 25/04; B65D 43/03; B65D 43/16; B65D 43/0212
See application file for complete search history.

(56) **References Cited**

U.S. PATENT DOCUMENTS

D598,740 S * 8/2009 Auer D9/424
7,731,997 B2 * 6/2010 Castellanos B65D 1/34
206/714

D636,258 S * 4/2011 Freeman D9/425
D656,367 S * 3/2012 Segal D7/629
D656,368 S * 3/2012 Segal D7/629
D672,204 S * 12/2012 Stamper D7/602
D719,019 S * 12/2014 Avis D9/424
D760,035 S * 6/2016 Kim D7/629

* cited by examiner

Primary Examiner — Derrick E Holland

Assistant Examiner — Janice Patyk

(74) *Attorney, Agent, or Firm* — Lando & Anastasi, LLP

(57) **CLAIM**

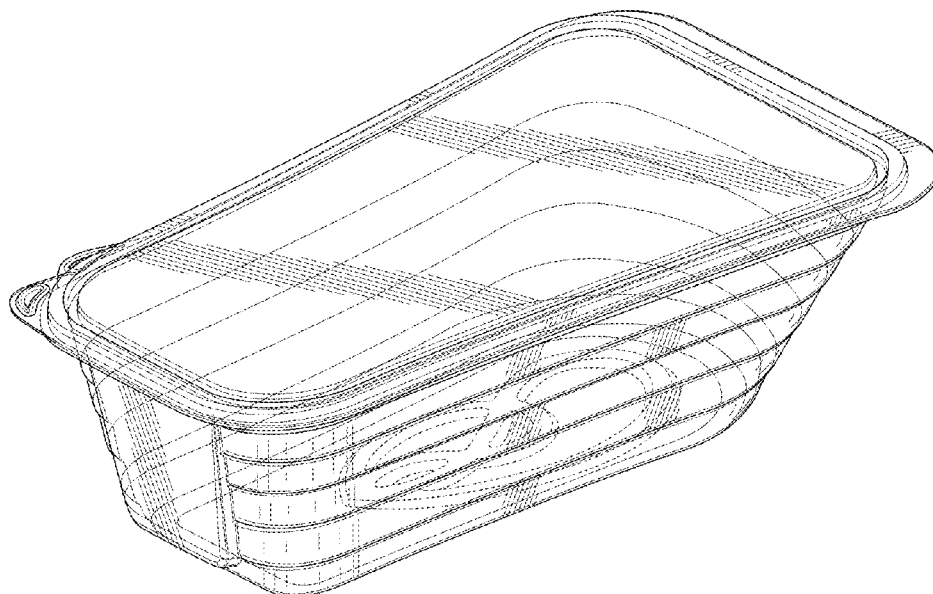
The ornamental design for a product packaging, as shown and described.

DESCRIPTION

FIG. 1 is a front and right side perspective view of a product packaging in accordance with the present disclosure; FIG. 2 is a front view thereof; FIG. 3 is a rear view thereof; FIG. 4 is a left side view thereof; FIG. 5 is a right side view thereof; FIG. 6 is a top view thereof; FIG. 7 is a bottom view thereof; and, FIG. 8 is an exploded front and right side perspective view thereof.

The broken lines in the figures illustrate the portions of the design that form no part of the claimed design.

1 Claim, 6 Drawing Sheets



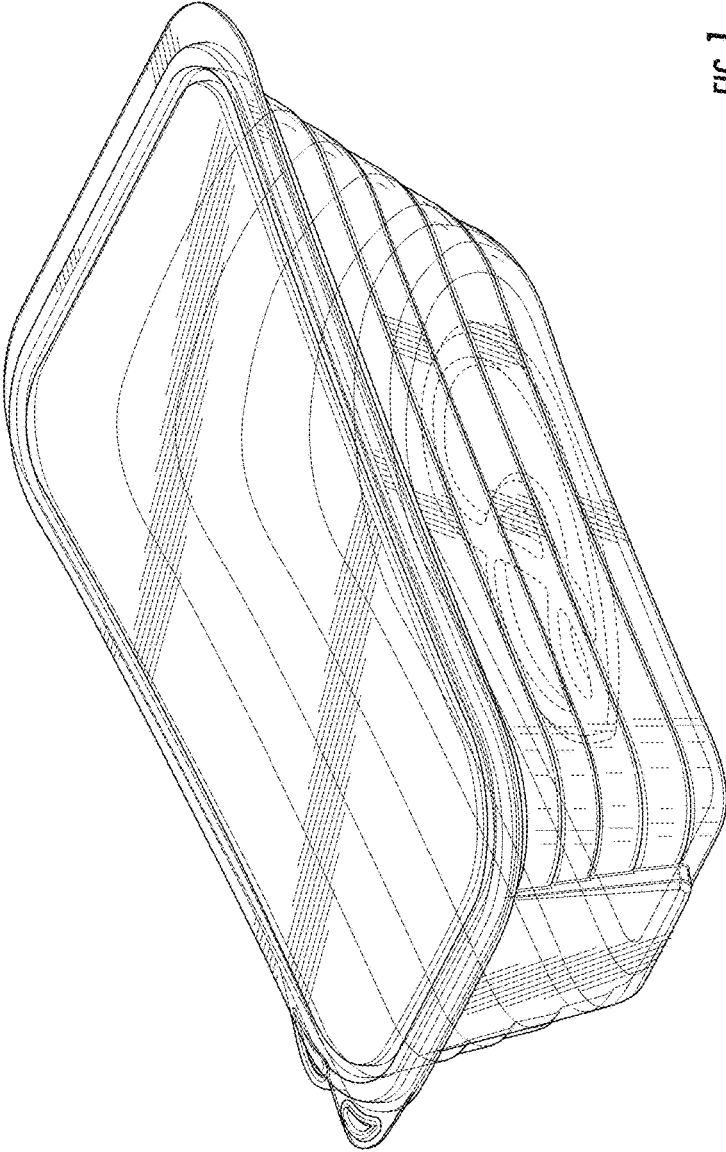


FIG. 1

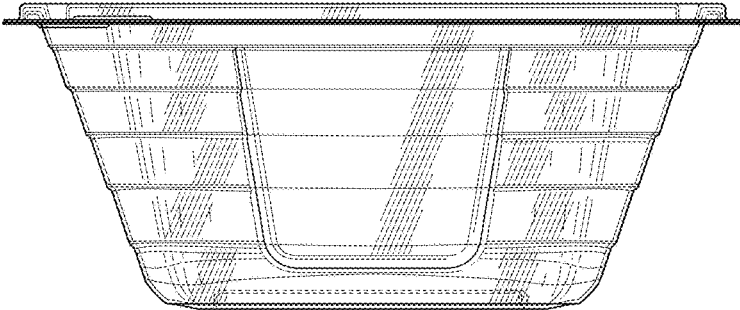


FIG. 2

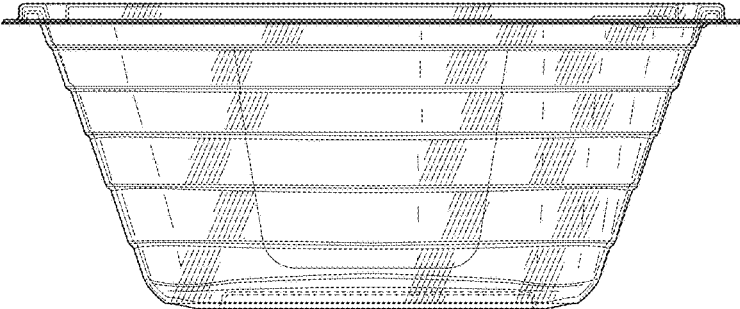


FIG. 3

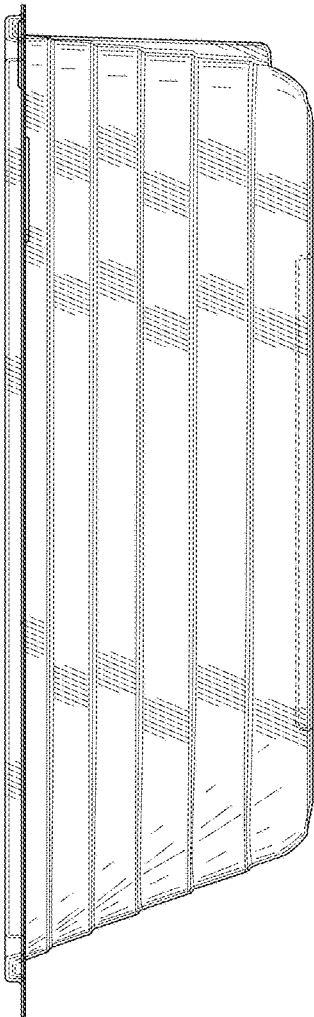


FIG. 4

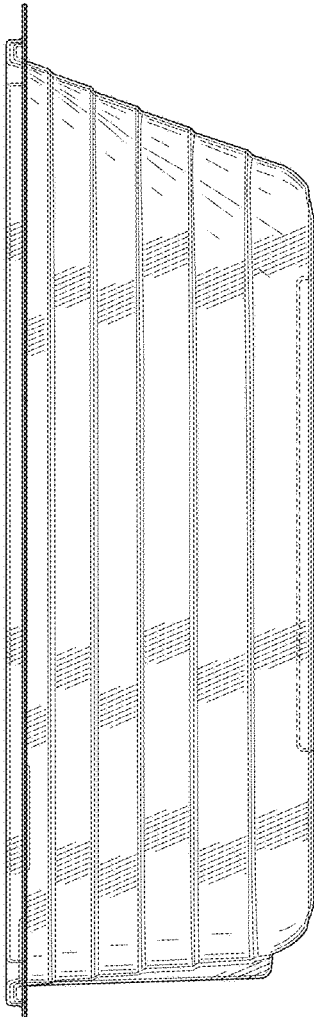


FIG. 5

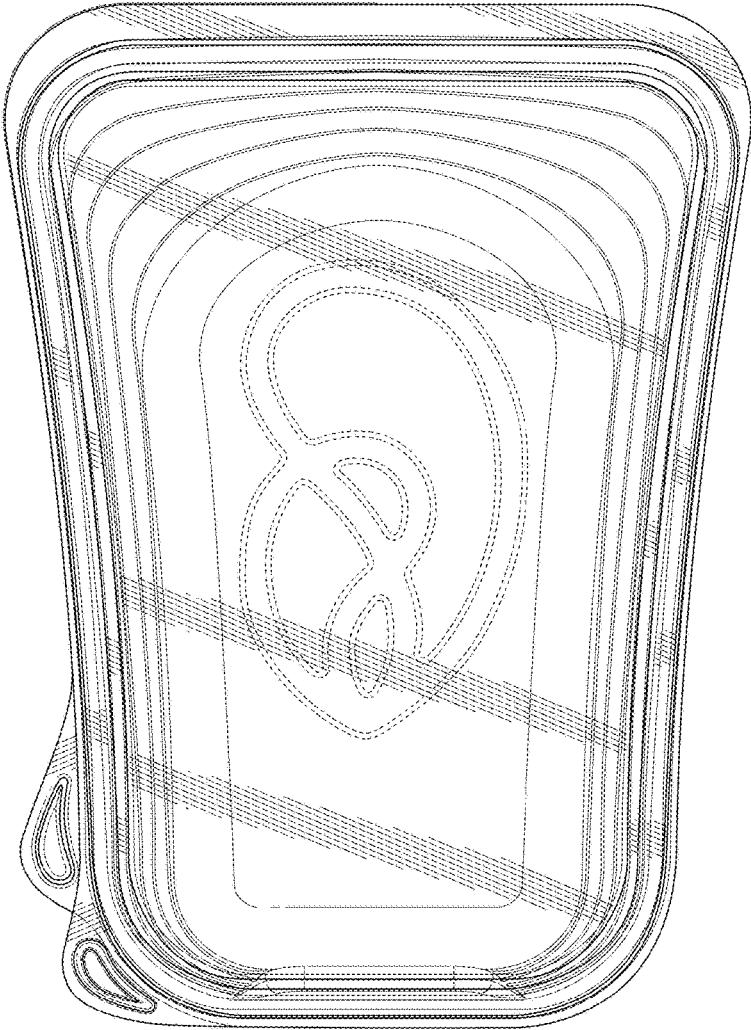


FIG. 6

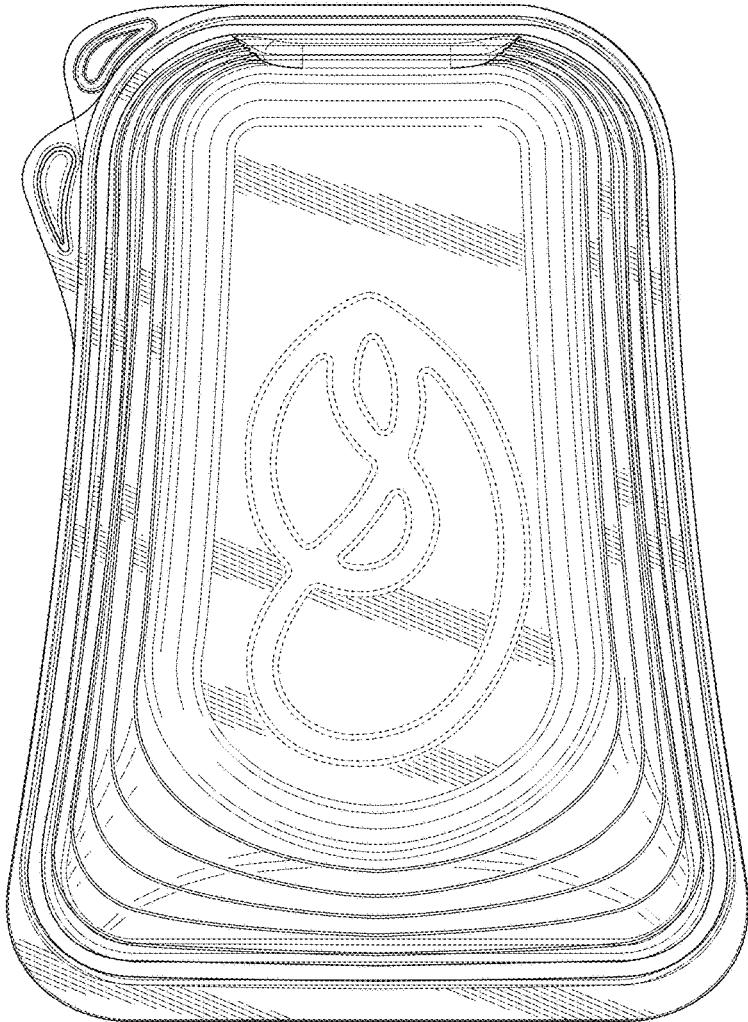


FIG. 7

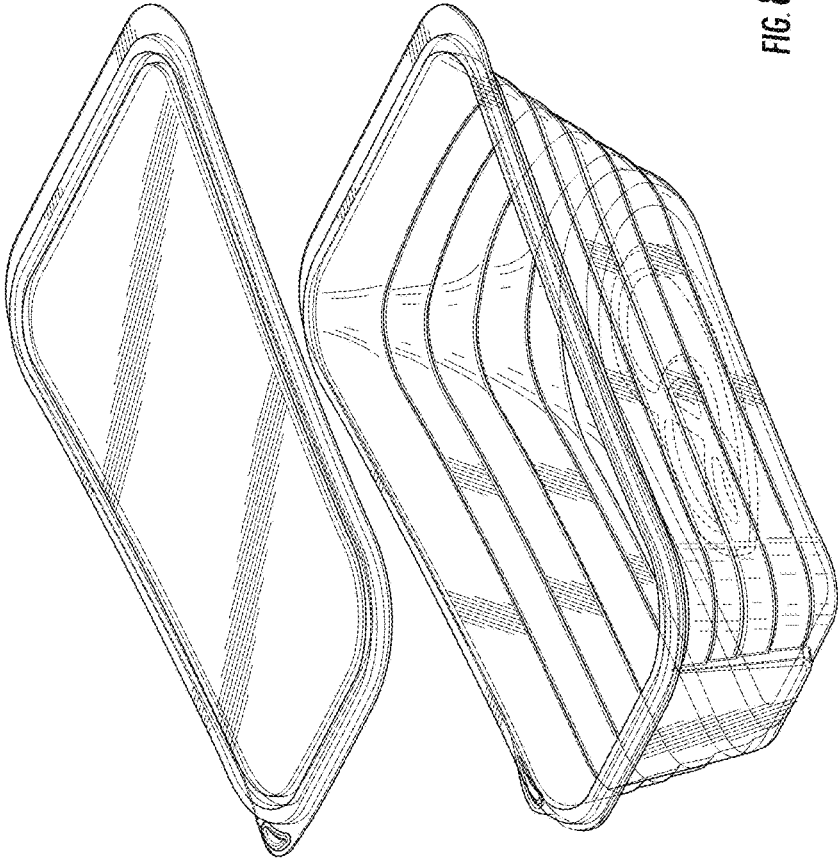


FIG. 8