



US00D479250S

(12) **United States Design Patent** (10) **Patent No.:** **US D479,250 S**
Altendorf (45) **Date of Patent:** **** Sep. 2, 2003**

(54) **COVER FOR A CIRCULAR SAWING MACHINE**

5,893,311 A * 4/1999 Huang 83/397
6,055,734 A * 5/2000 McCurry et al. 83/478 X
6,182,548 B1 * 2/2001 Meredith et al. 83/397

(75) Inventor: **Wilhelm Altendorf**, Minden (DE)

* cited by examiner

(73) Assignee: **Wilhelm Altendorf GmbH & Co KG**, Minden (DE)

Primary Examiner—Antoine Duval Davis
(74) *Attorney, Agent, or Firm*—Altera Law Group LLC

(**) Term: **14 Years**

(57) **CLAIM**

(21) Appl. No.: **29/147,358**

The ornamental design for cover for a circular sawing machine, as shown and described.

(22) Filed: **Aug. 27, 2001**

(30) **Foreign Application Priority Data**

DESCRIPTION

Feb. 28, 2001 (WO) DM/055 743

FIG. 1 is a left perspective view of the cover for a circular sawing machine.

(51) **LOC (7) Cl.** **15-09**

FIG. 2 is a bottom view thereof.

(52) **U.S. Cl.** **D15/133**

FIG. 3 is a right side view thereof.

(58) **Field of Search** D15/133; 83/373, 83/388-391, 397, 397.1, 398, 860, DIG. 1

FIG. 4 is a left side view thereof.

FIG. 5 is a top view thereof; and,

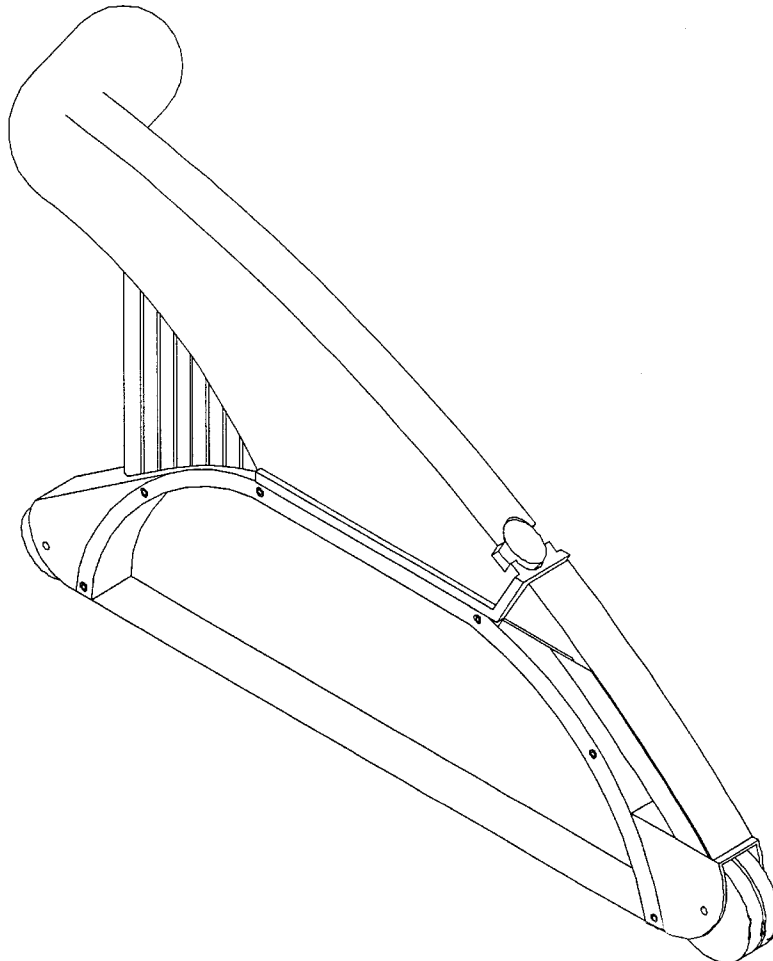
FIG. 6 is a front view thereof.

(56) **References Cited**

U.S. PATENT DOCUMENTS

5,862,594 A * 1/1999 Soderqvist 83/478 X

1 Claim, 3 Drawing Sheets



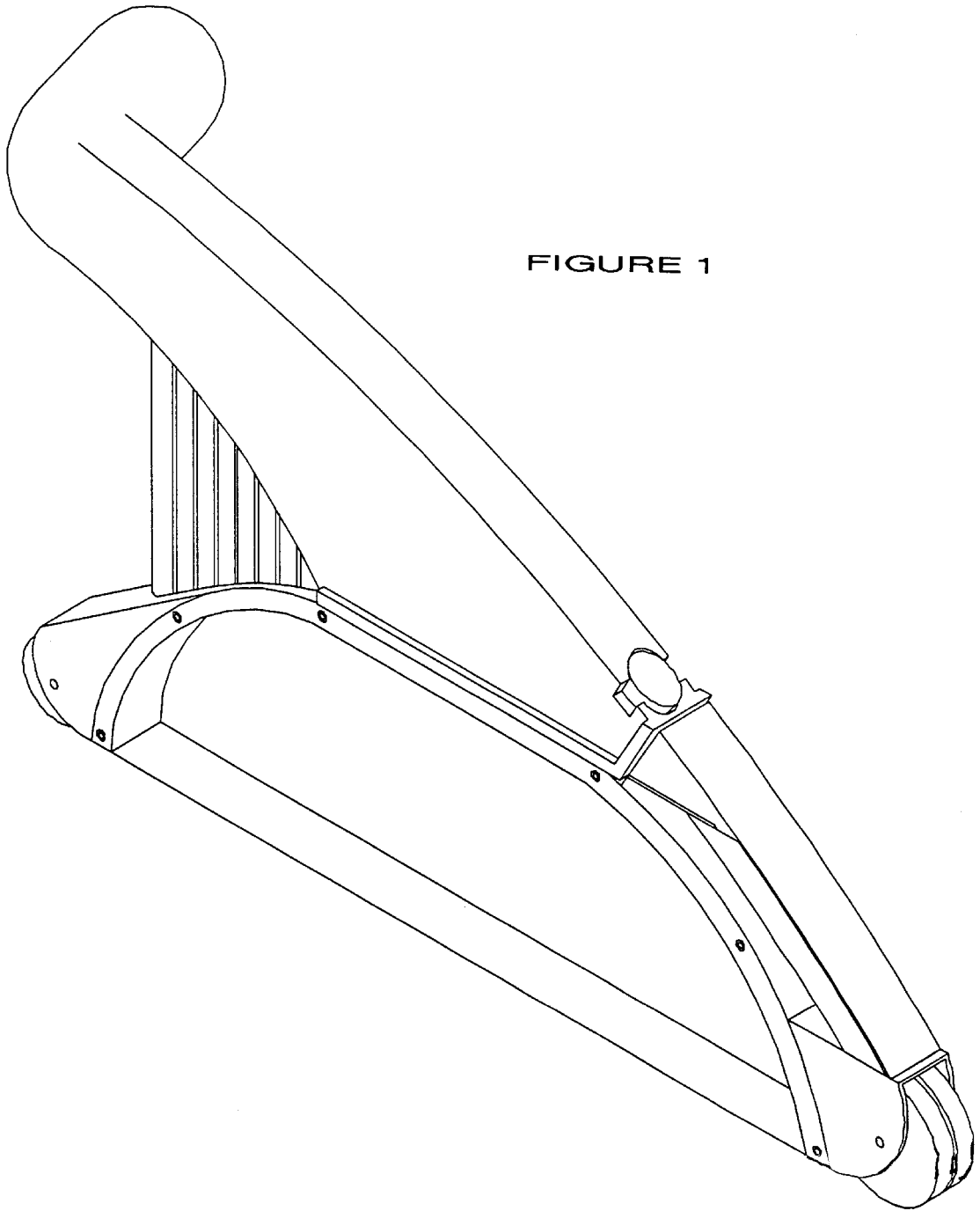


FIGURE 1

FIGURE 3

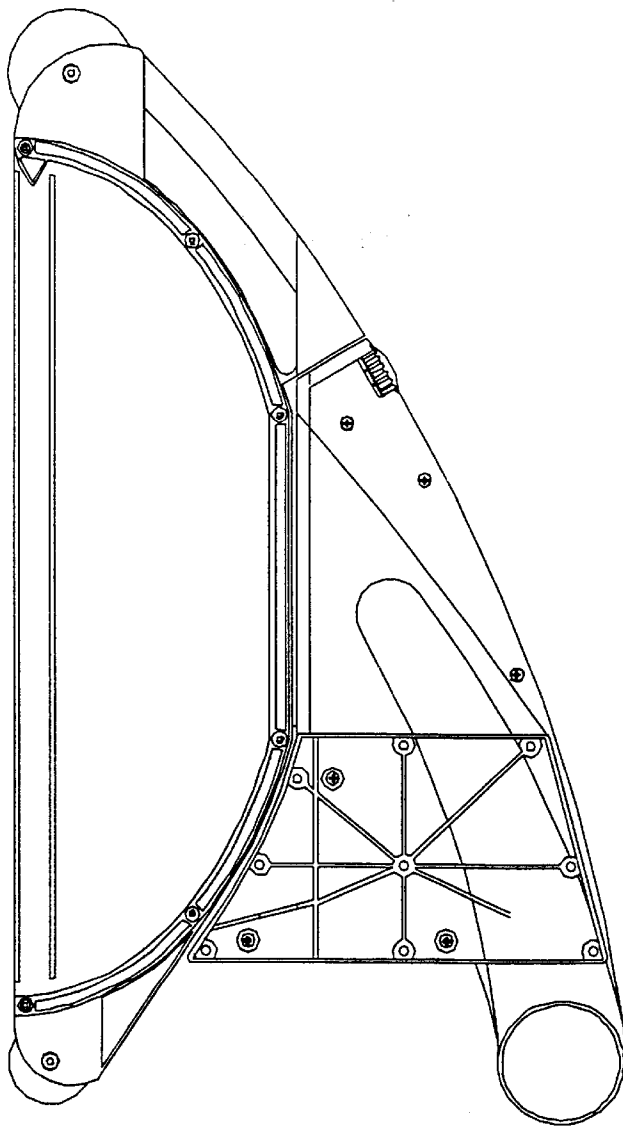


FIGURE 2

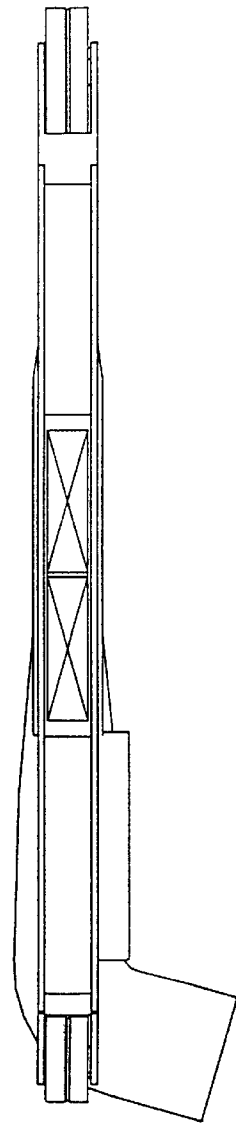


FIGURE 6

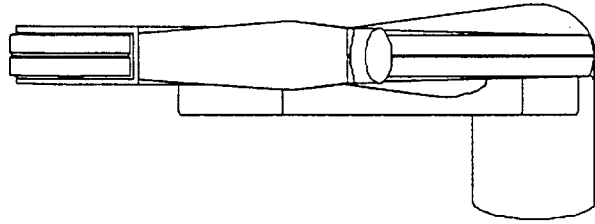


FIGURE 5

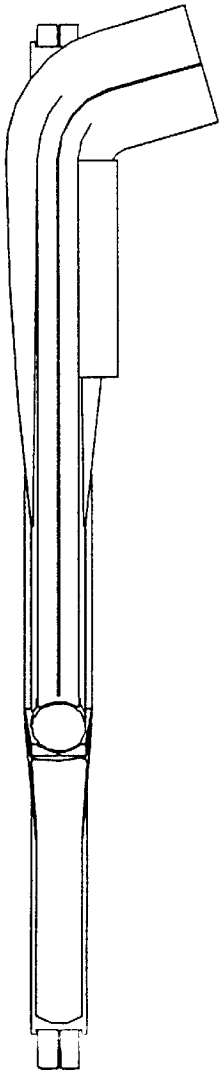


FIGURE 4

