



US00D486602S

(12) **United States Design Patent**
Hines et al.

(10) **Patent No.:** **US D486,602 S**

(45) **Date of Patent:** **** Feb. 10, 2004**

(54) **EXTERIOR TRACK ASSEMBLY HAVING
SLIDABLY ADJUSTABLE MOUNTS FOR
DECORATIVE LIGHTS**

5,388,802 A	2/1995	Dougan et al.	
5,902,148 A	5/1999	O'Rourke	
6,019,494 A *	2/2000	Lee	362/249
6,050,703 A *	4/2000	Herbert	362/250
D452,581 S *	12/2001	Zakrzewski et al.	D26/138
6,485,161 B1 *	11/2002	Whitaker et al.	362/249

(76) Inventors: **Elton Hines**, 2130 W. Crawford St.,
Forrest City, AR (US) 72335; **Alvirgil
Hines**, 2130 W. Crawford St., Forrest
City, AR (US) 72335

* cited by examiner

(**) Term: **14 Years**

Primary Examiner—Jennifer Rivard

(74) *Attorney, Agent, or Firm*—Donald R. Schoonover

(21) Appl. No.: **29/156,068**

(57) **CLAIM**

(22) Filed: **Feb. 25, 2002**

I claim the ornamental design for exterior track assembly
having slidably adjustable mounts for decorative lights, as
shown and described.

(51) **LOC (7) Cl.** **26-99**

(52) **U.S. Cl.** **D26/138; D13/134**

(58) **Field of Search** 362/250, 238,
362/391, 396, 249; 439/110, 119, 121;
D13/134; D26/138

DESCRIPTION

FIG. 1 is a perspective view of an exterior track assembly
having slidably adjustable mounts for decorative lights
embodying the design of the present invention.

FIG. 2 is a front elevational view thereof;

FIG. 3 is a rear elevational view thereof;

FIG. 4 is a left side elevational view thereof, the right side
elevational view being a mirror image thereof; and,

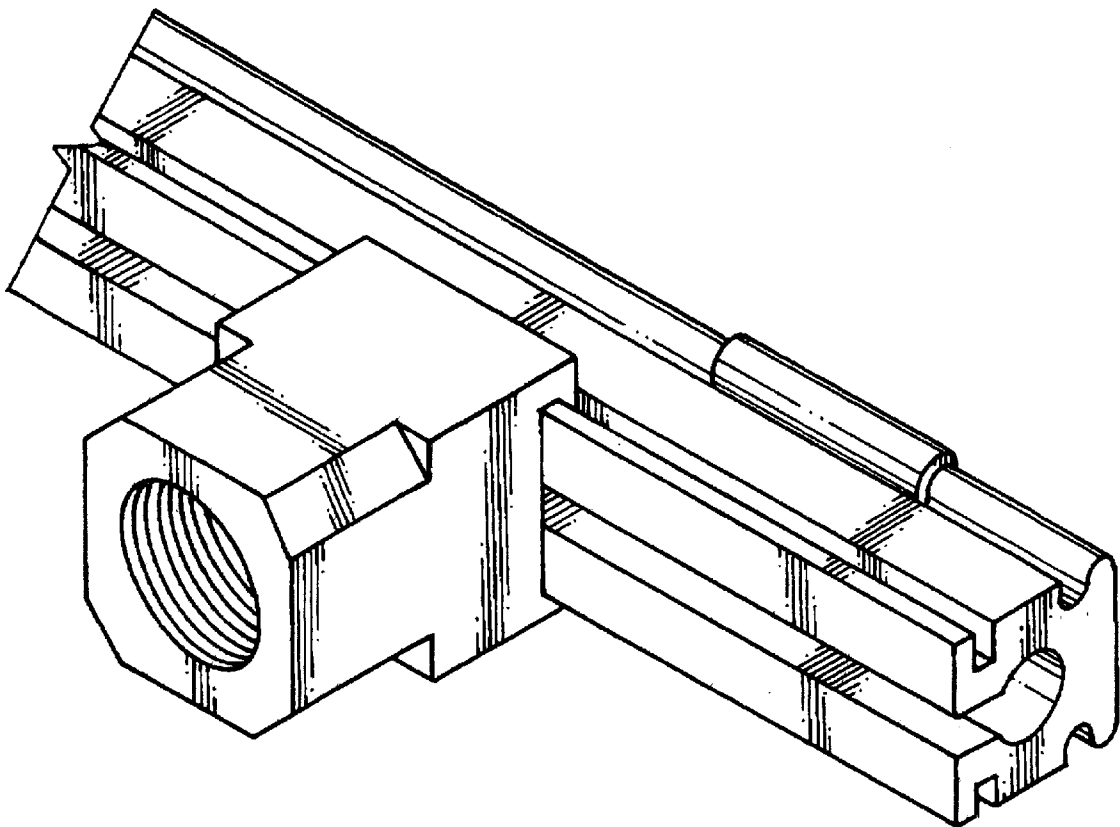
FIG. 5 is a top plan view thereof.

(56) **References Cited**

U.S. PATENT DOCUMENTS

4,678,257 A	7/1987	Ahroni	
4,901,212 A	2/1990	Prickett	
4,999,755 A *	3/1991	Lin	362/250
5,067,061 A	11/1991	Prickett	
D344,262 S *	2/1994	Bray	D13/134

1 Claim, 3 Drawing Sheets



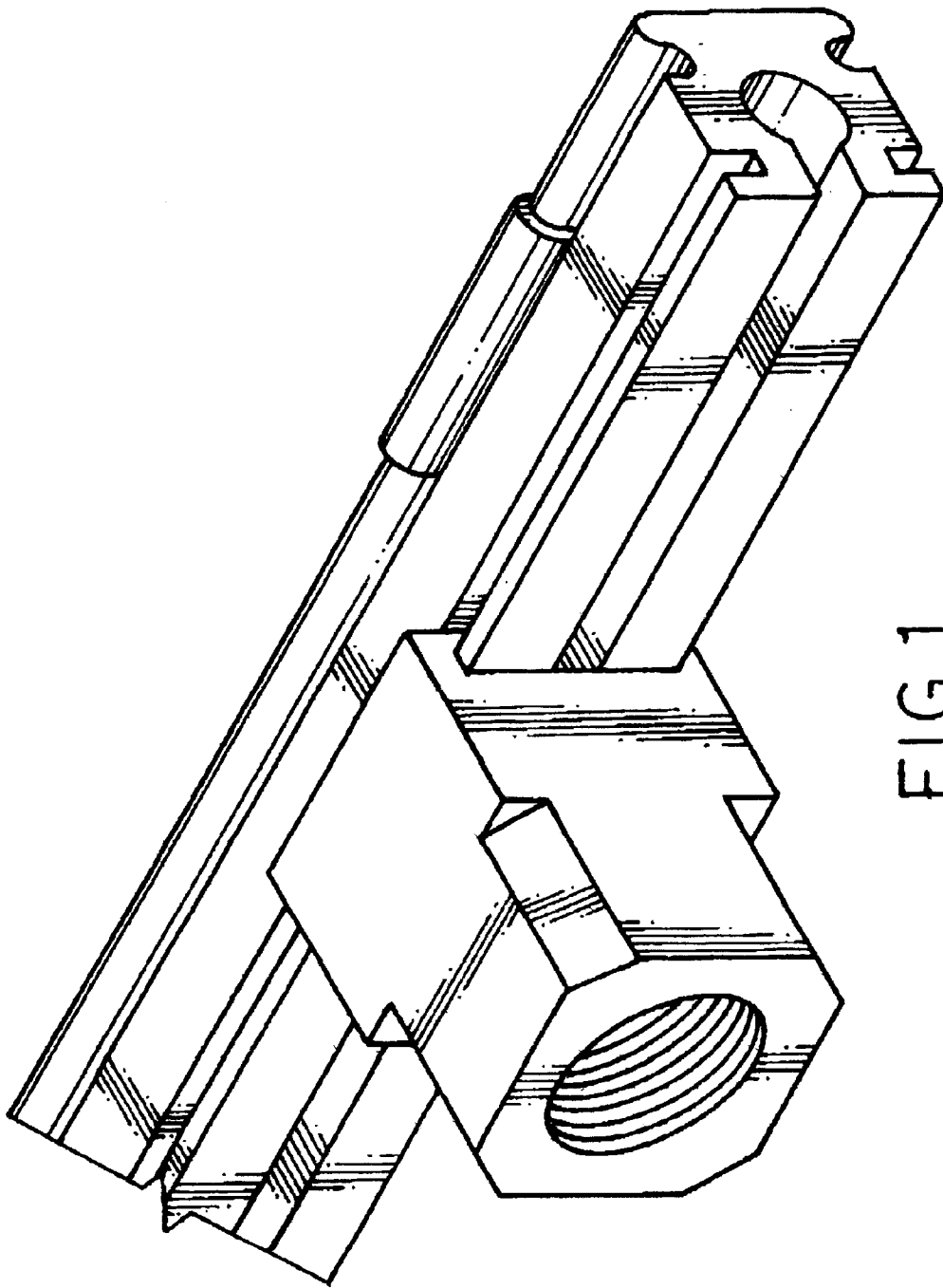


FIG. 1.

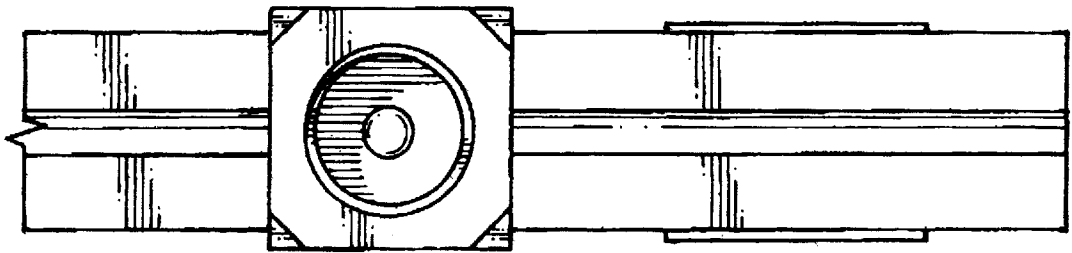


FIG. 2.

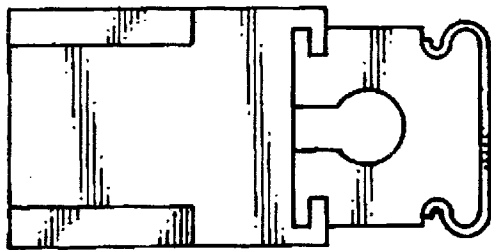


FIG. 4.

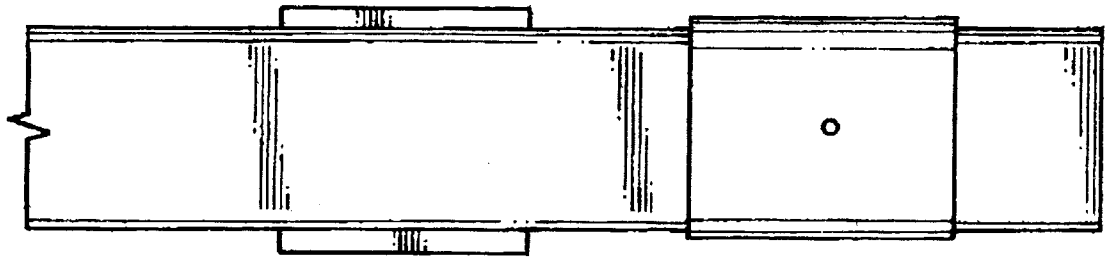


FIG. 3.

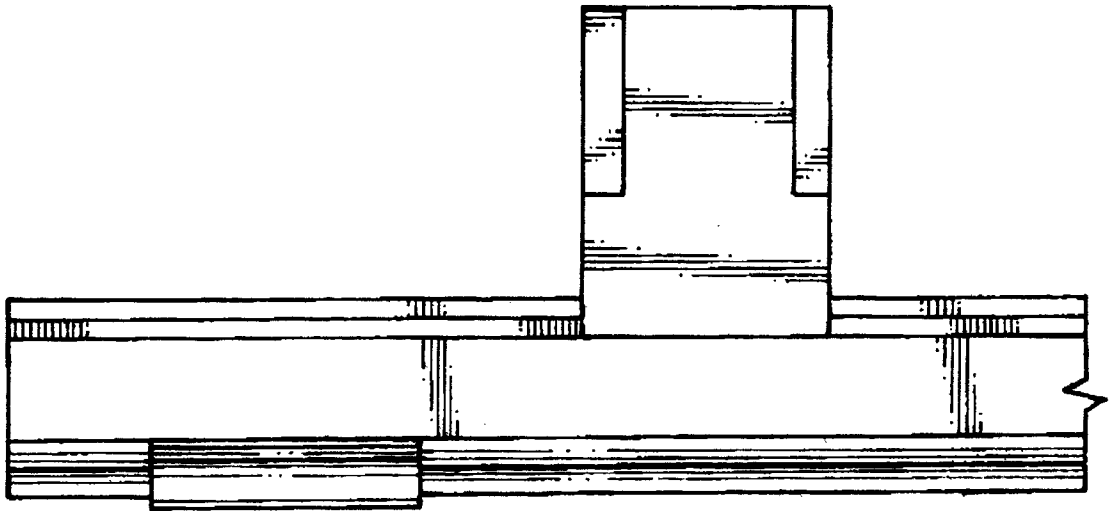


FIG. 5.