

[54] TELEPHONE ENCLOSURE

3,941,951 3/1976 Engstrom et al. 179/179

[75] Inventors: Robert L. Beecher, II, Indianapolis; Francis S. Doyle, Oaklondon, both of Ind.; Donald M. Genaro, Haworth, N.J.; John N. McGarvey, Drexel Hill, Pa.

Primary Examiner—Bernard Ansher
Attorney, Agent, or Firm—Samuel R. Williamson; Harry L. Newman

[73] Assignee: Bell Telephone Laboratories, Inc., Murray Hill, N.J.

[57] CLAIM

The ornamental design for a telephone enclosure, substantially as shown and described.

[**] Term: 14 Years

DESCRIPTION

[21] Appl. No.: 947,941

FIG. 1 is a top front perspective view of a telephone enclosure, showing my new design;

[22] Filed: Oct. 2, 1978

FIG. 2 is a front view thereof with the lid in a closed position;

[51] Int. Cl. D14-03

FIG. 3 is a top plan view thereof;

[52] U.S. Cl. D14/60; D14/53;

FIG. 4 is a rear elevation thereof;

D14/58

FIG. 5 is a side elevation thereof, the undisclosed opposite side is a mirror image of the side shown;

[58] Field of Search D14/53, 60, 57, 58; 179/100 D, 100 R, 178, 179, 100 C

FIG. 6 is a side elevation with the lid in an open position;

[56] References Cited

FIG. 7 is a front view thereof;

U.S. PATENT DOCUMENTS

FIG. 8 is a top plan view thereof;

FIG. 9 is a rear elevation thereof;

FIG. 10 is a front perspective view of a second modified embodiment of the telephone enclosure illustrated in FIG. 1; and

FIG. 11 is a front perspective view of a third modified embodiment of the telephone enclosure illustrated in FIG. 1.

D. 211,645	7/1968	Perkins	D14/53
D. 212,095	8/1968	Dreyfuss	D14/58
D. 231,174	2/1974	Genaro et al.	D14/60
D. 231,836	6/1974	Genaro et al.	D14/60
D. 245,113	7/1977	Genaro et al.	D14/60
D. 250,108	10/1978	Genaro et al.	D14/60

FIG. 10

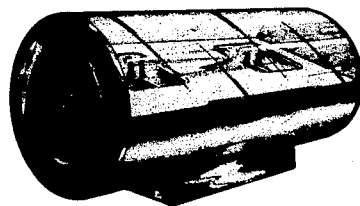


FIG. 1

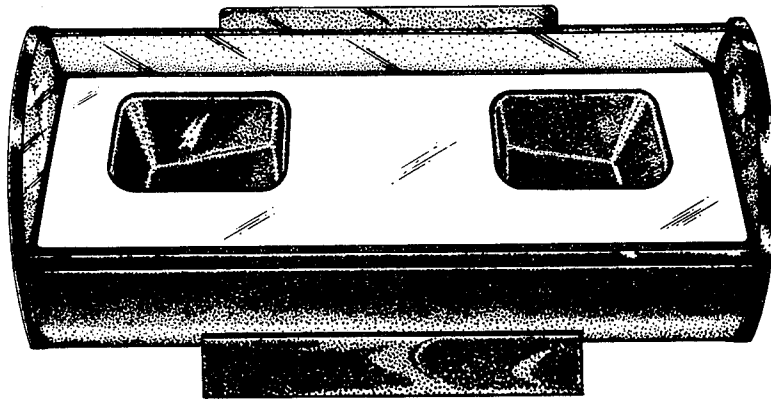


FIG. 2

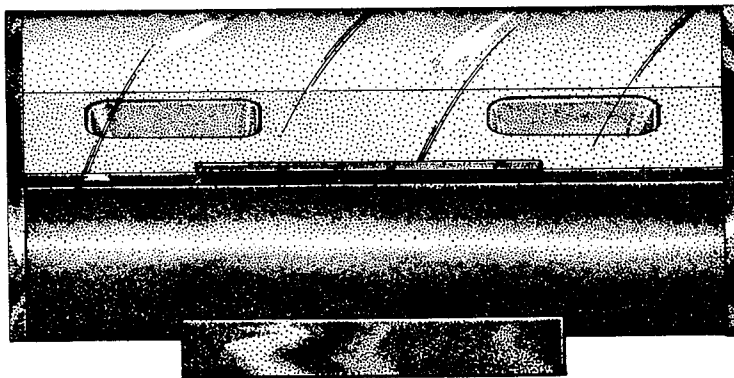


FIG. 3

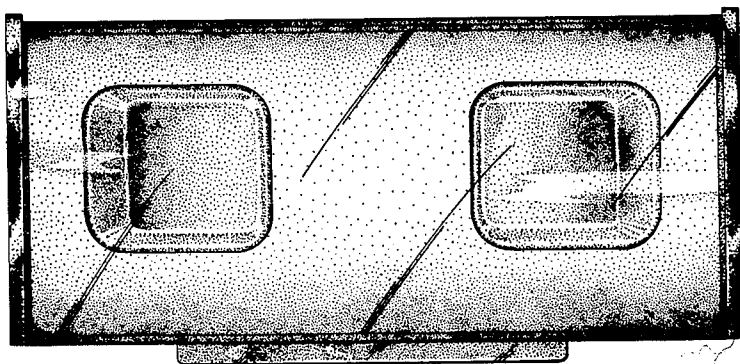


FIG. 4

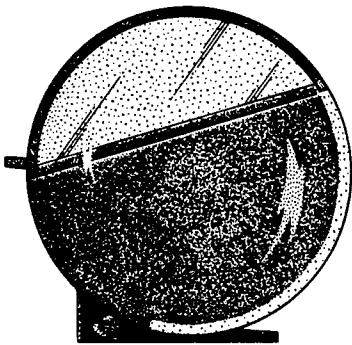
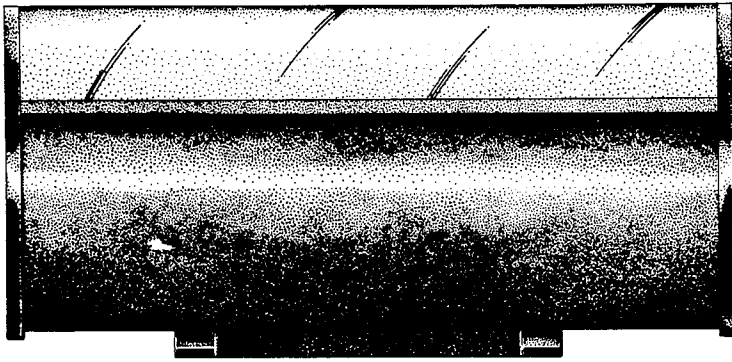


FIG. 5

FIG. 6

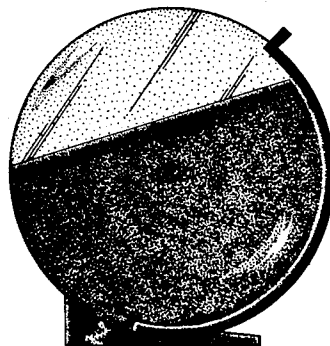


FIG. 7

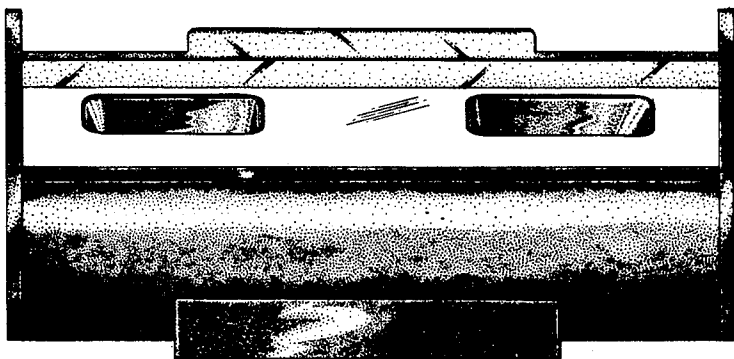


FIG. 8

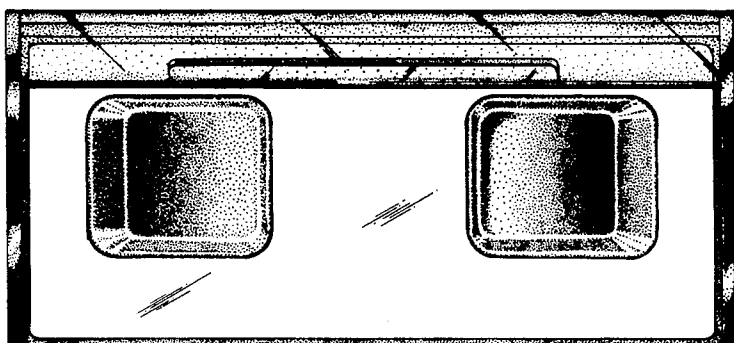


FIG. 9

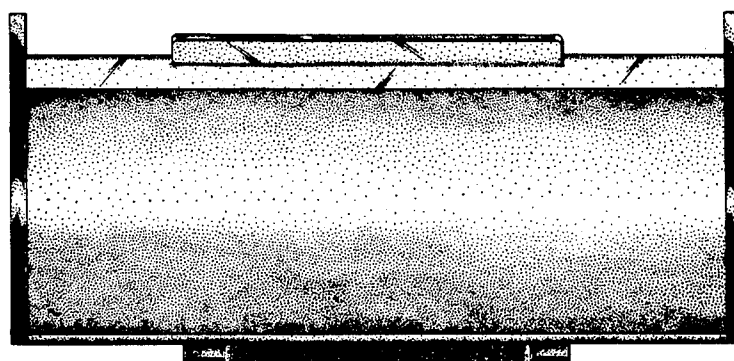


FIG. 10

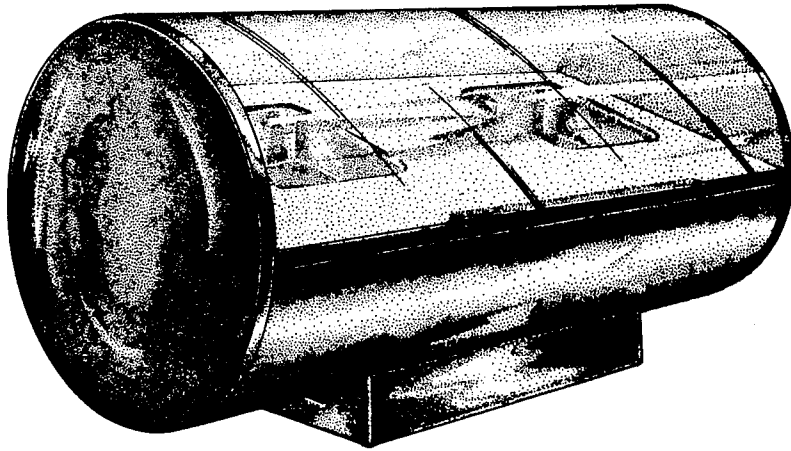


FIG. 11

