



US00D970310S

(12) **United States Design Patent**
Zhang

(10) **Patent No.:** **US D970,310 S**

(45) **Date of Patent:** **** Nov. 22, 2022**

(54) **FOOD MOLD**

(71) Applicant: **THINK GREEN LIMITED**, Auckland (NZ)

(72) Inventor: **Shuting Zhang**, Hubei (CN)

(73) Assignee: **THINK GREEN LIMITED**, Auckland (NZ)

(**) Term: **15 Years**

(21) Appl. No.: **29/820,400**

(22) Filed: **Dec. 21, 2021**

(30) **Foreign Application Priority Data**

Oct. 20, 2021 (CN) 202130688751.8

(51) **LOC (13) CL.** **07-04**

(52) **U.S. CL.**
USPC **D7/676**

(58) **Field of Classification Search**
USPC D7/672-677, 368, 669; D15/89, 90
CPC A47J 43/20; A21C 11/106
See application file for complete search history.

(56) **References Cited**

U.S. PATENT DOCUMENTS

D157,487 S *	2/1950	Goodman et al.	D7/675
D185,873 S *	8/1959	Bergeron	A47G 19/02
				D7/555
D202,529 S *	10/1965	Rosebrook	D15/90
D274,693 S	7/1984	Cruz		
D361,514 S *	8/1995	Krupa	D7/357
D448,977 S *	10/2001	Bleimaier	D7/553.6
D468,589 S *	1/2003	Bulcher	B65D 1/36
				D7/553.1
D507,451 S *	7/2005	Land	D7/357
D682,011 S *	5/2013	Hauser	D7/354
D724,904 S	3/2015	Chinon et al.		
D773,884 S *	12/2016	Waller, Jr.	D7/553.1

D914,067 S 3/2021 Wu
D915,475 S 4/2021 Wu
D954,766 S * 6/2022 Olegovich D15/89

FOREIGN PATENT DOCUMENTS

CN 305534985 S 1/2020
CN 305893334 S 7/2020
CN 305917995 S 7/2020

OTHER PUBLICATIONS

Popblossom, Chocolate Mold Tray, Jan. 10, 2019, Amazon, <https://www.amazon.com/Chocolate-Silicone-perfect-pudding-Pineapple/dp/B07N7T9XRN> (Year: 2019).*

(Continued)

Primary Examiner — Brett Miller
(74) *Attorney, Agent, or Firm* — Dragon Sun Law Firm, PC; Jinggao Li; Nathaniel Perkins

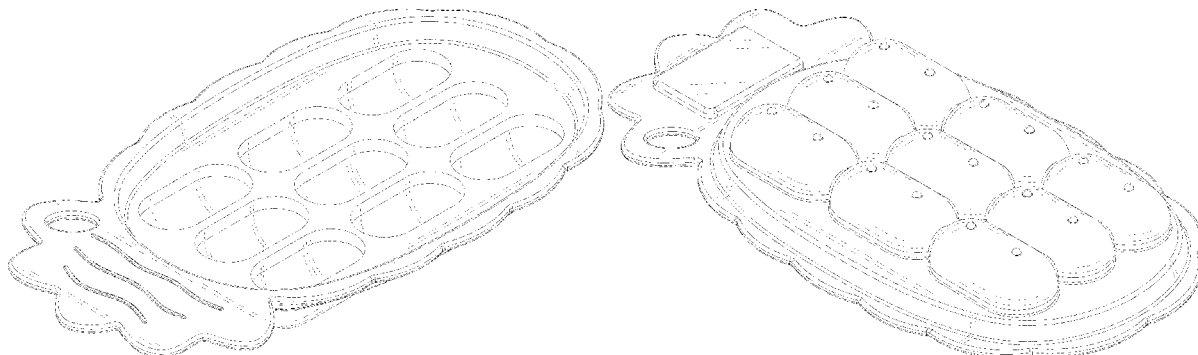
(57) **CLAIM**

The ornamental design for a food mold, as shown and described.

DESCRIPTION

FIG. 1 is a front, right side, top perspective view of a food mold embodying my new design;
FIG. 2 is a rear, right side, top perspective view thereof;
FIG. 3 is a rear, left side, bottom perspective view thereof;
FIG. 4 is a front elevation view thereof;
FIG. 5 is a rear elevation view thereof;
FIG. 6 is an enlarged left side elevation view thereof;
FIG. 7 is an enlarged right side elevation view thereof;
FIG. 8 is a top plan view thereof; and,
FIG. 9 is a bottom plan view thereof.
The broken lines shown in the figures depict portions of the food mold that form no part of the claimed design.

1 Claim, 8 Drawing Sheets



(56)

References Cited

OTHER PUBLICATIONS

WeeSprout, Silicone Baby Food Freezer Tray, 2019, Amazon,
<https://www.amazon.com/Silicone-Baby-Freezer-Clip-WeeSprout/dp/B01LZ6CLZ0> (Year: 2019).*

Lilly's Home Store, Narrow Ice Stick Cube Trays, 2016, Amazon,
<https://www.amazon.com/Lilys-Home-Silicone-Material-Assorted/dp/B01A7G2W5W> (Year: 2016).*

* cited by examiner

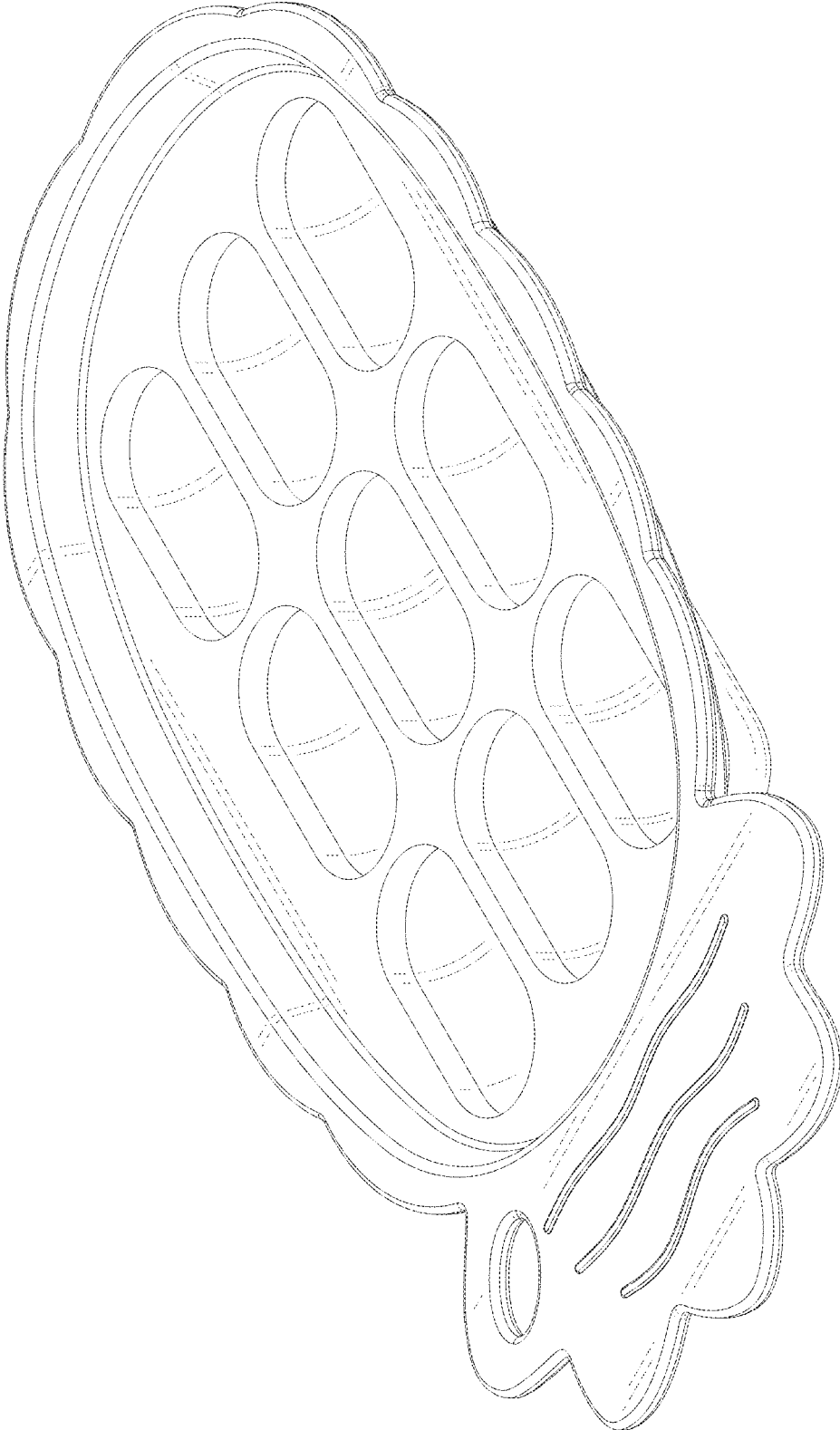


FIG. 1

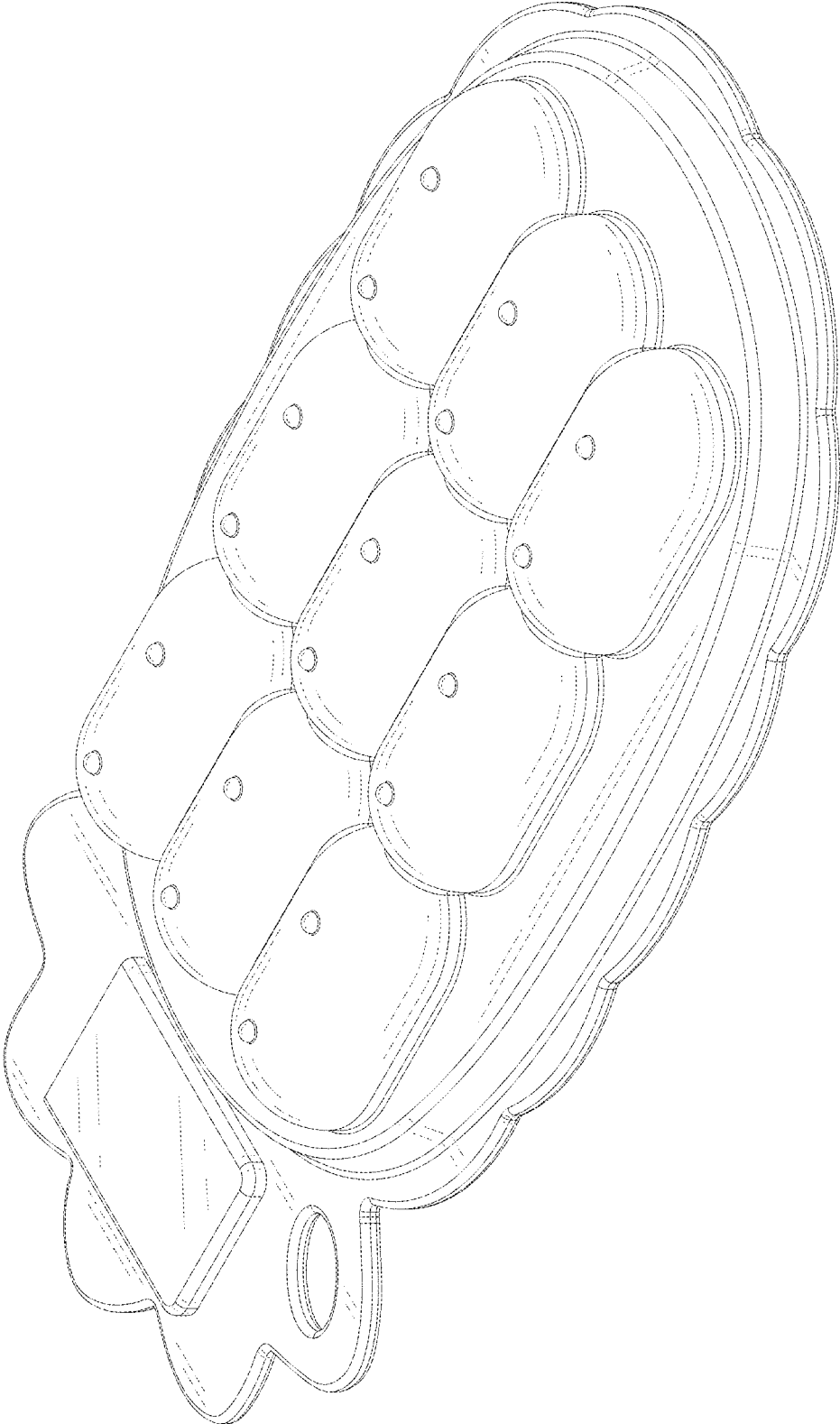


FIG. 2

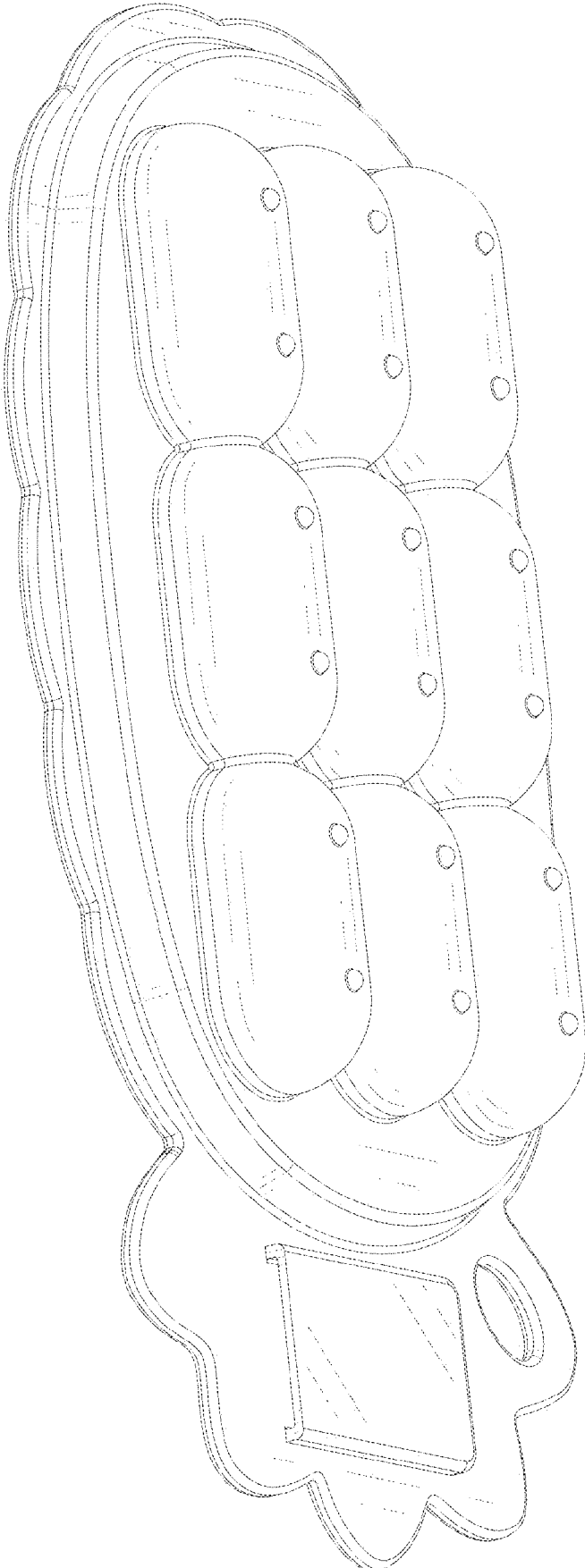


FIG. 3

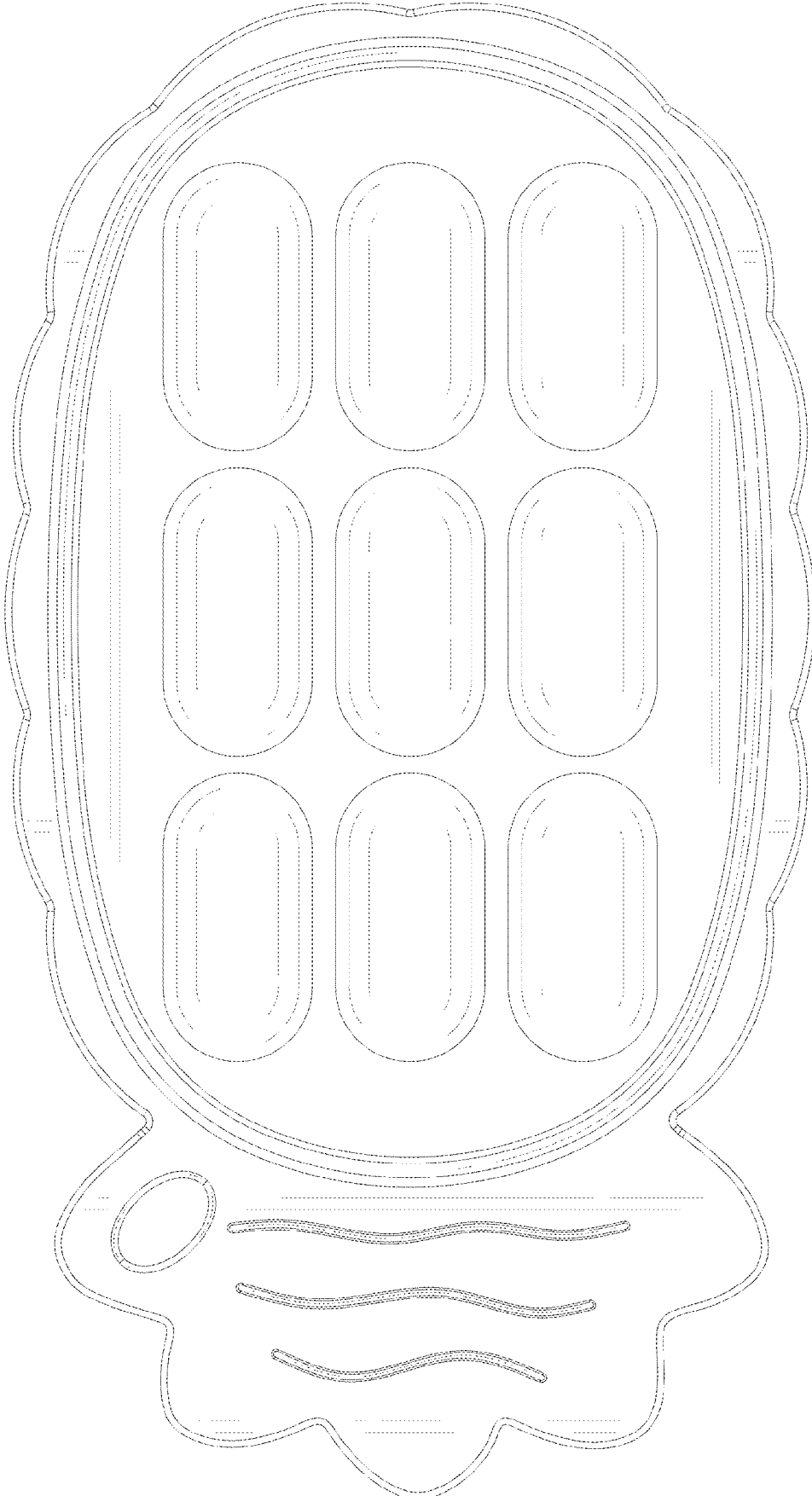


FIG. 4

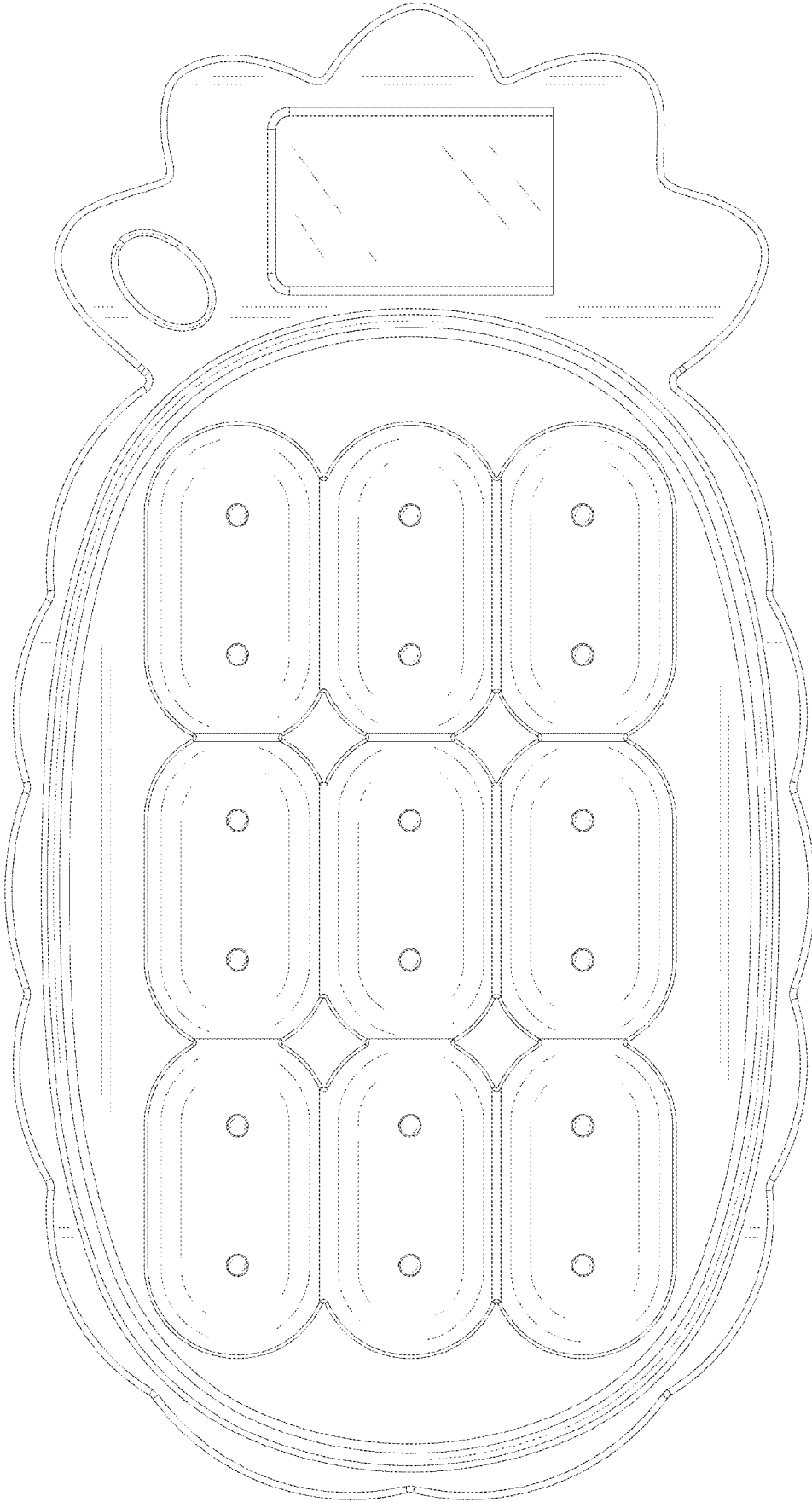


FIG. 5

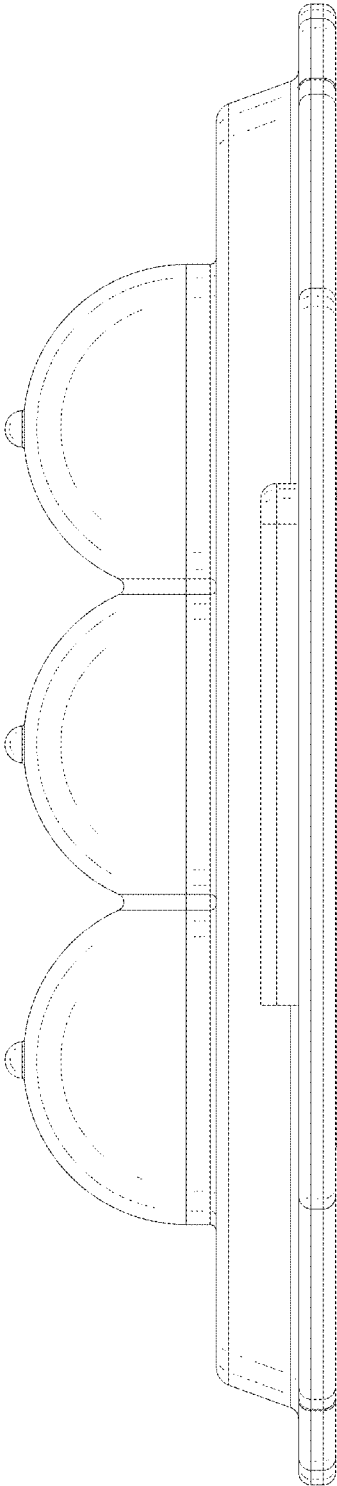


FIG. 6

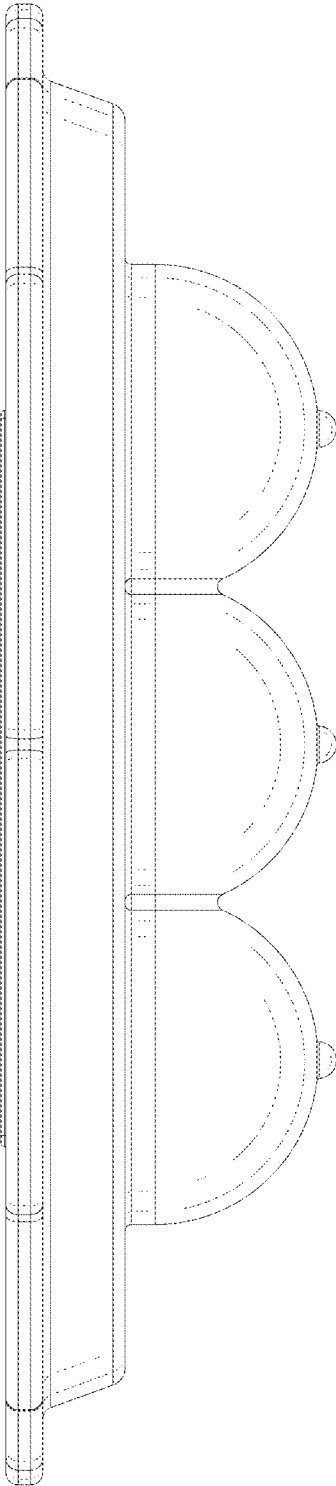


FIG. 7

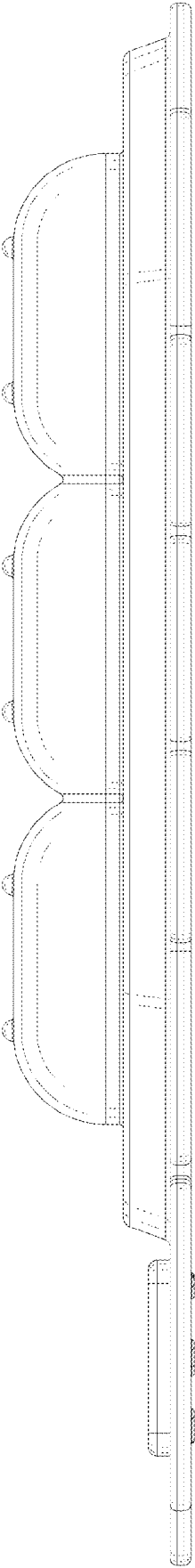


FIG. 8

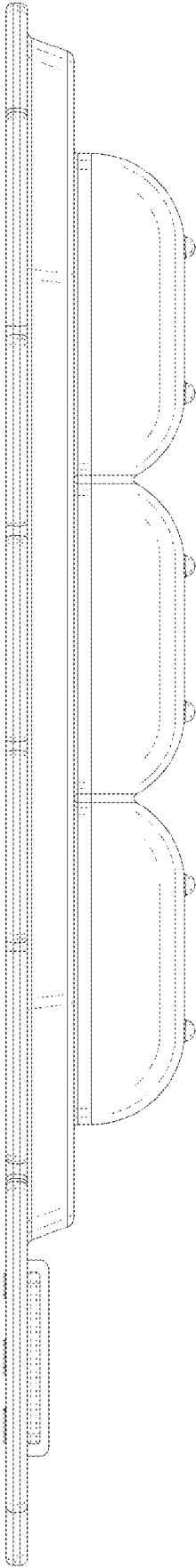


FIG. 9