



US00D700377S

(12) **United States Design Patent**  
**Bucklen et al.**

(10) **Patent No.:** **US D700,377 S**

(45) **Date of Patent:** **\*\* Feb. 25, 2014**

(54) **LED LIGHT BULB**

(71) Applicant: **Rambus Delaware LLC**, Brecksville, OH (US)  
  
(72) Inventors: **Vincent C. Bucklen**, Chagrin Falls, OH (US); **Joseph A. Hornung**, North Royalton, OH (US); **Chia-Jung Chang**, Luzhou (TW)

(73) Assignee: **Rambus Delaware LLC**, Brecksville, OH (US)

(\*\*) Term: **14 Years**

(21) Appl. No.: **29/452,995**

(22) Filed: **Apr. 24, 2013**

(51) **LOC (10) Cl.** ..... **26-04**

(52) **U.S. Cl.**  
USPC ..... **D26/2**

(58) **Field of Classification Search**  
USPC ..... D26/1-4; 313/313, 315, 316, 317, 318, 313/493; 315/52, 53, 56, 57, 58

See application file for complete search history.

(56) **References Cited**

U.S. PATENT DOCUMENTS

D626,257 S	*	10/2010	Pickard	.....	D26/2
D646,809 S	*	10/2011	Shi	.....	D26/2
D647,638 S	*	10/2011	Eckert et al.	.....	D26/2
D647,646 S	*	10/2011	Tsung	.....	D26/2
D648,453 S	*	11/2011	Eckert et al.	.....	D26/2
D670,412 S	*	11/2012	Parker et al.	.....	D26/2

\* cited by examiner

*Primary Examiner* — Marcus Jackson

(74) *Attorney, Agent, or Firm* — Renner, Otto, Boisselle & Sklar, LLP

(57) **CLAIM**

The ornamental design for an LED light bulb, as shown and described.

**DESCRIPTION**

FIG. 1 is a perspective view of an LED light bulb showing our new design.

FIG. 2 is a front view thereof.

FIG. 3 is a rear view thereof.

FIG. 4 is a right side view thereof.

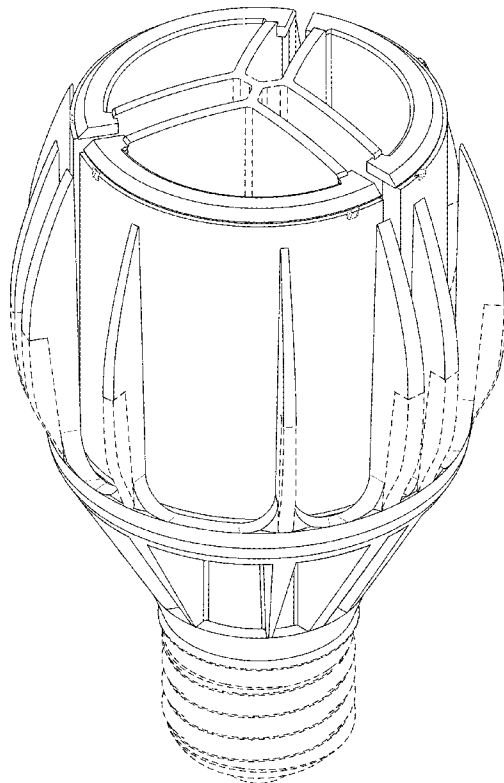
FIG. 5 is a left side view thereof.

FIG. 6 is a top view thereof; and,

FIG. 7 is a bottom view thereof.

The broken lines are for the purpose of illustrating portions of the LED light bulb and form no part of the claimed design.

**1 Claim, 7 Drawing Sheets**



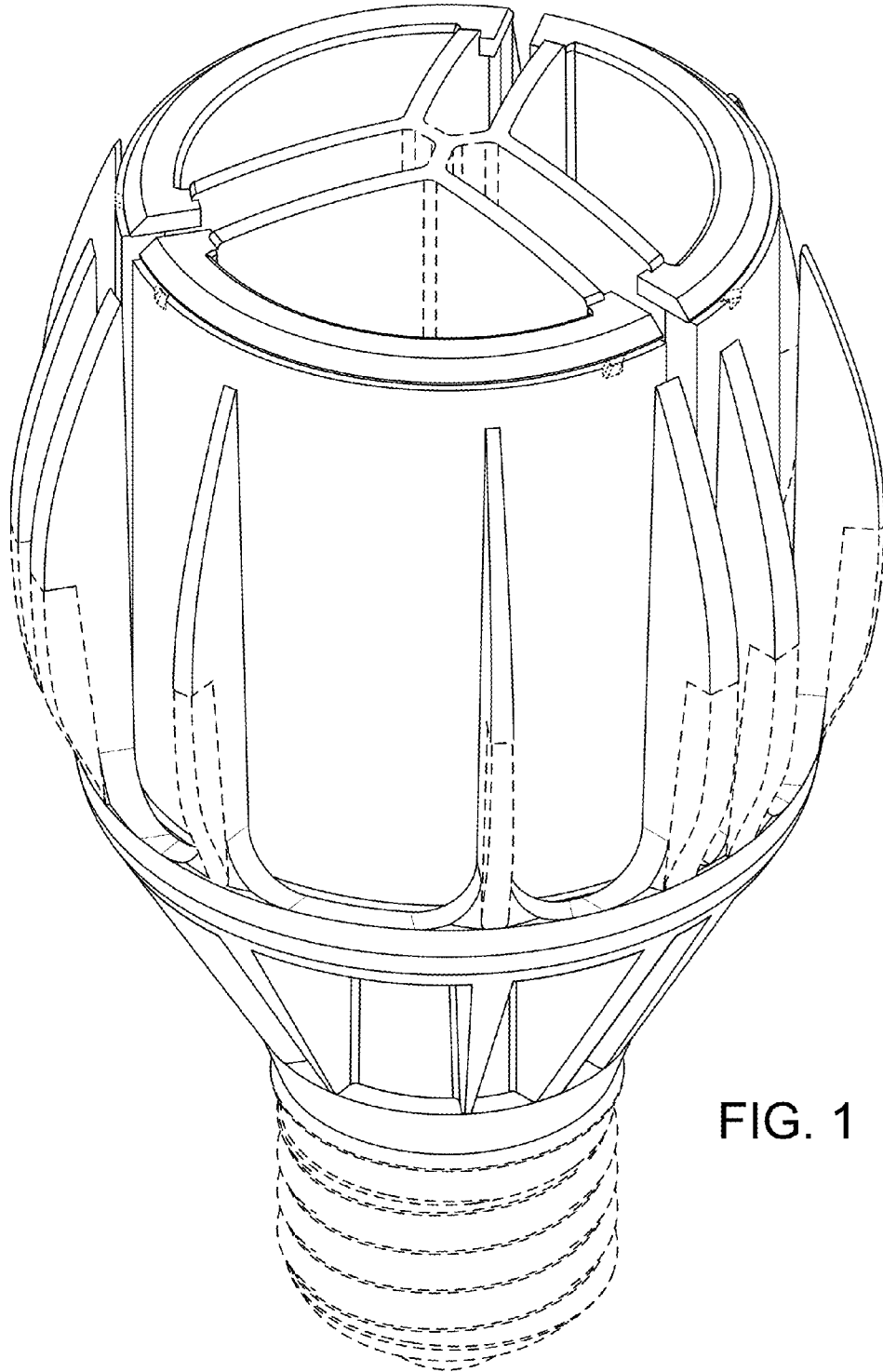


FIG. 1

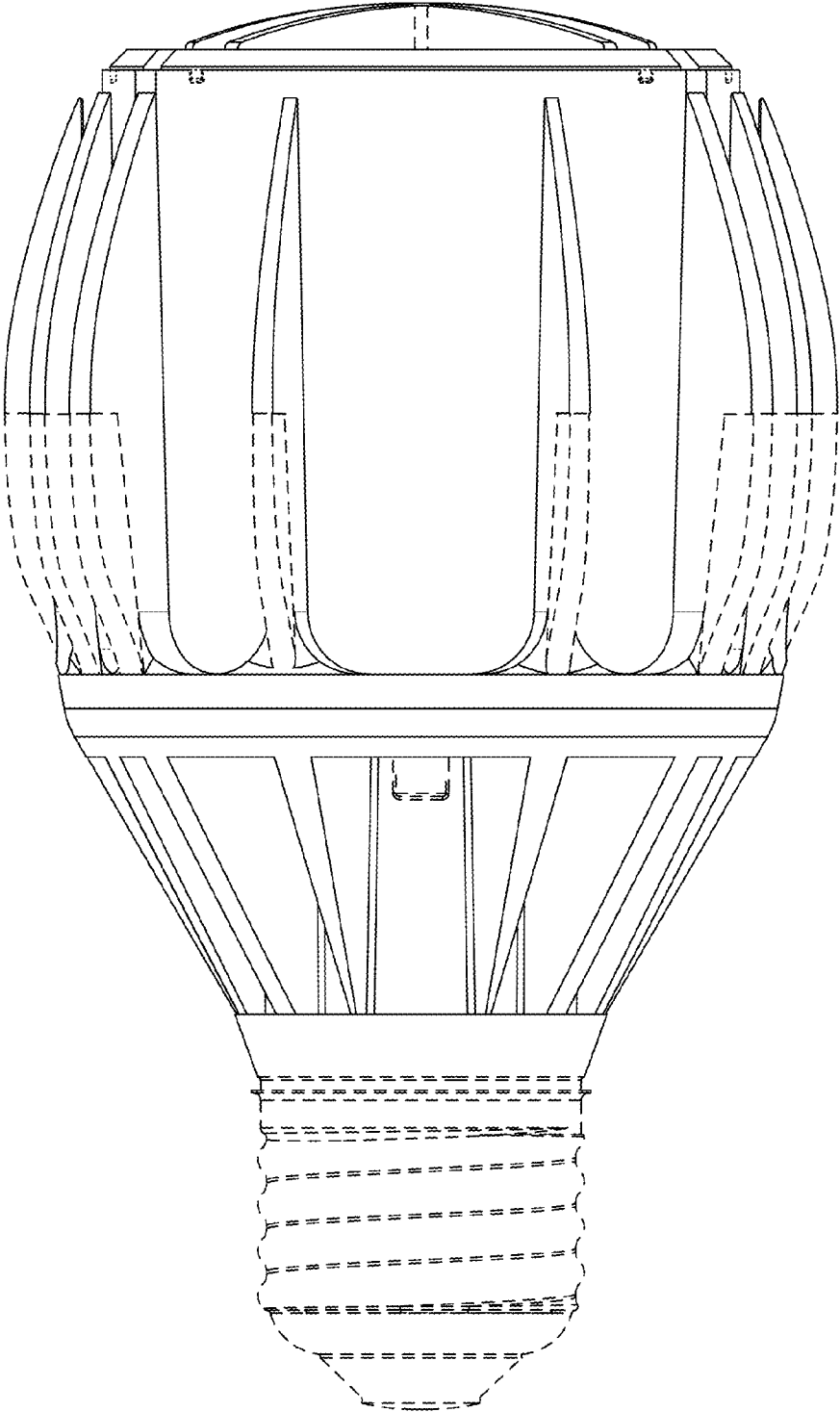


FIG. 2

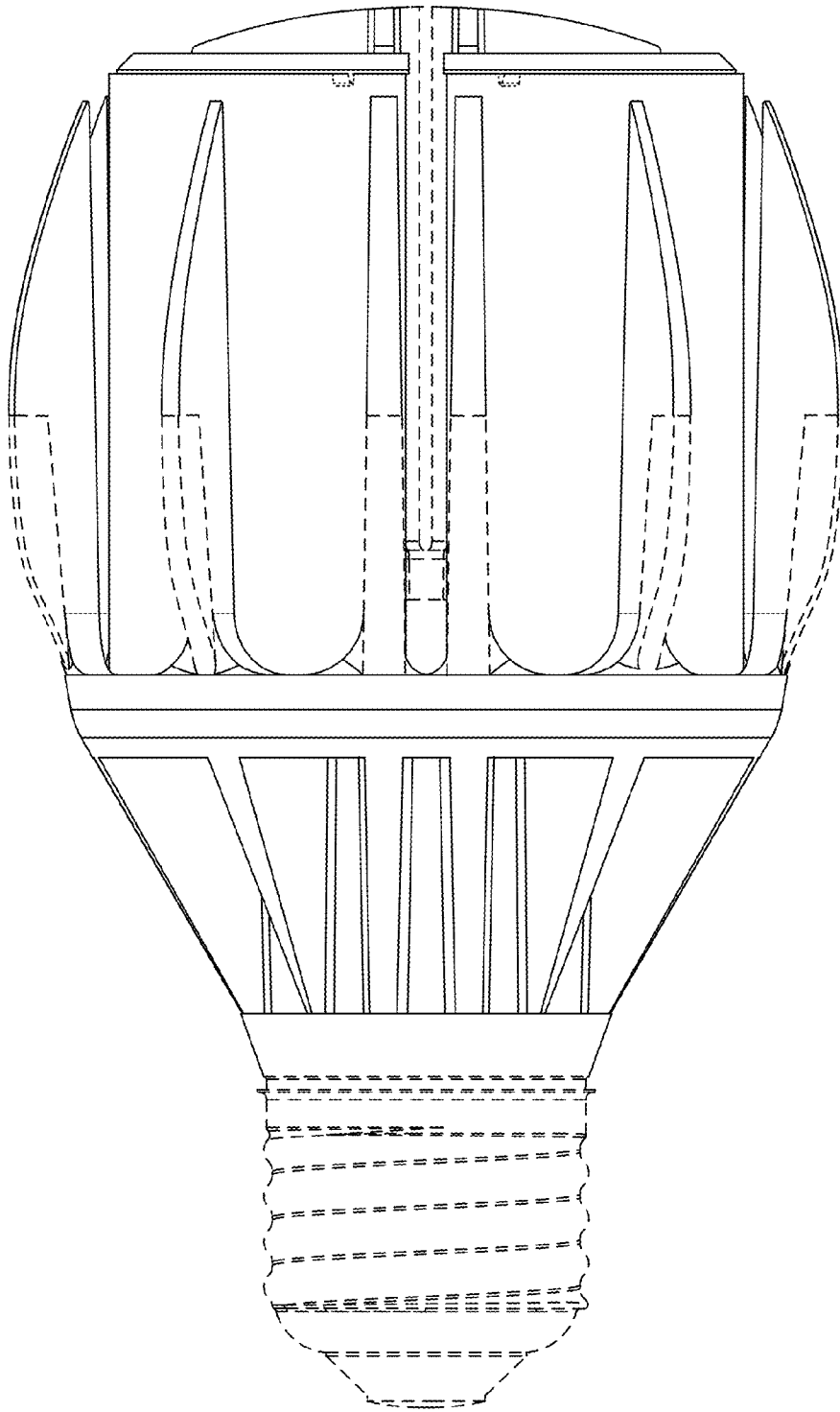


FIG. 3

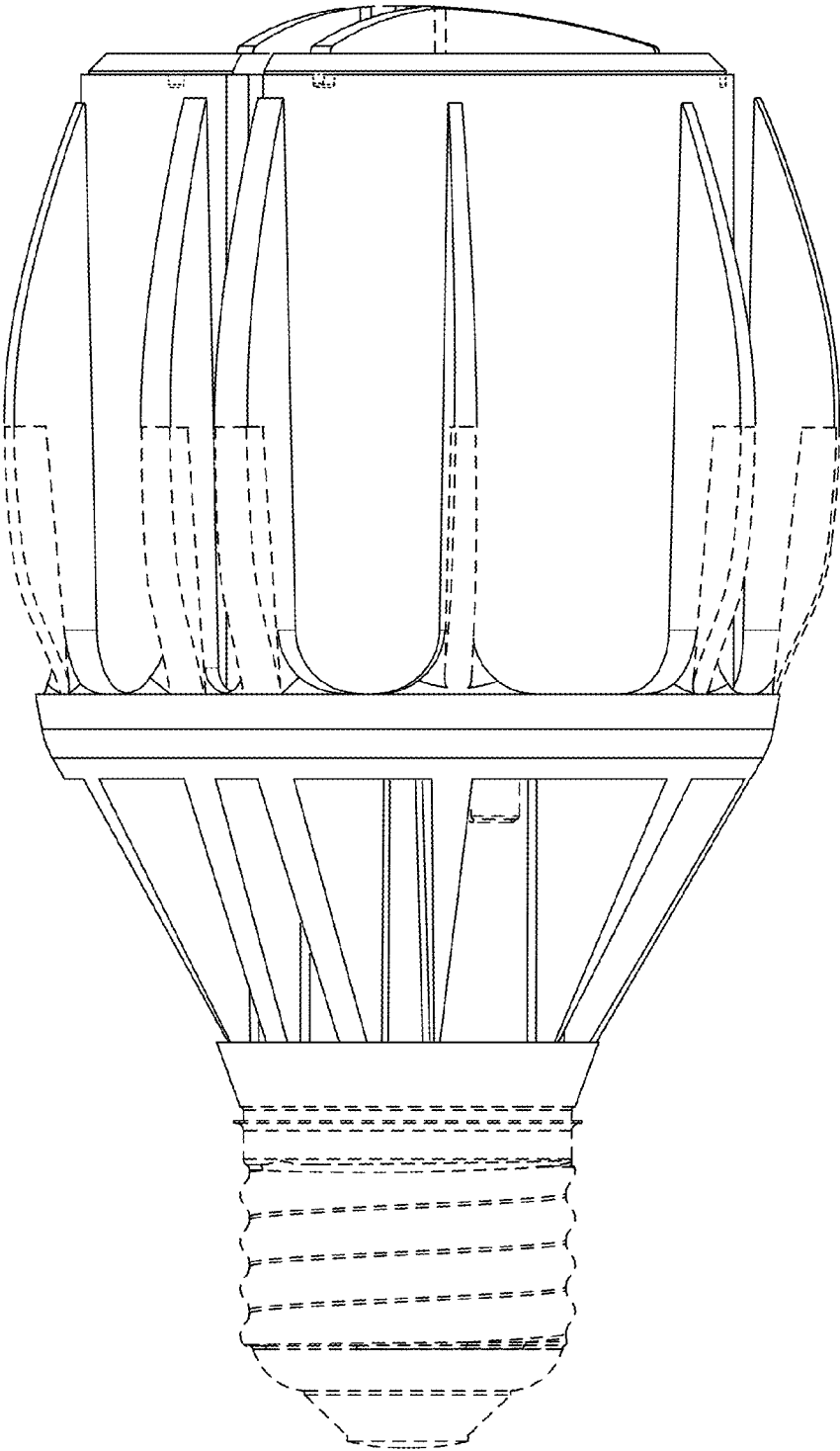


FIG. 4

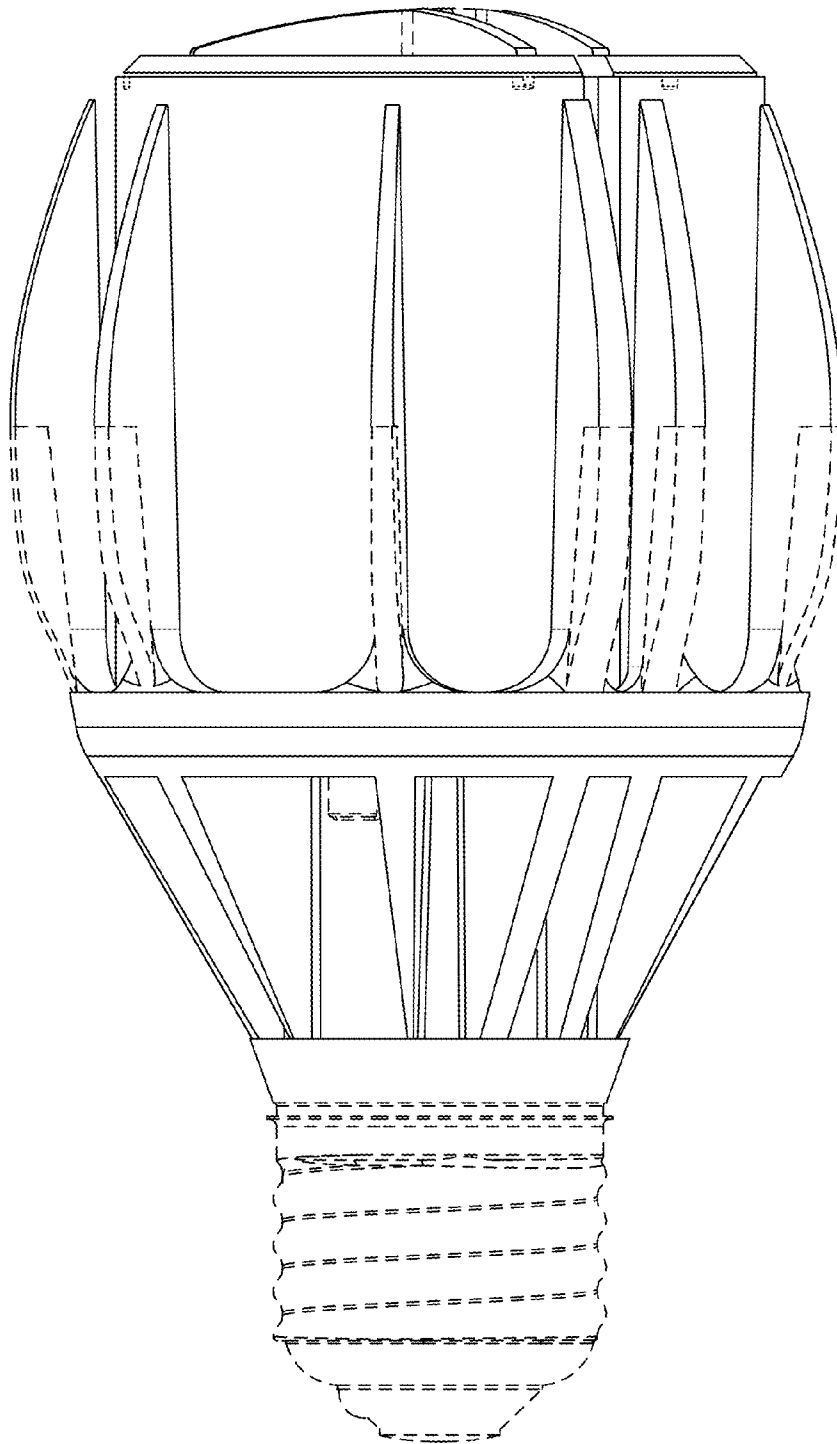


FIG. 5

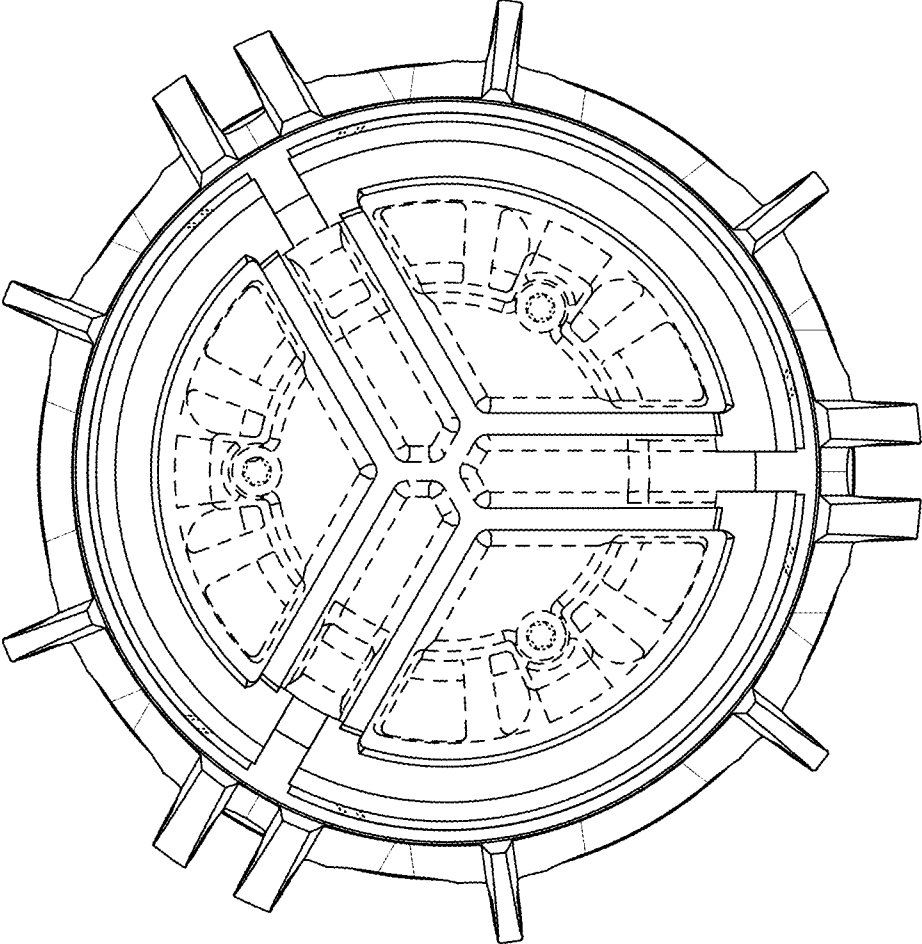


FIG. 6

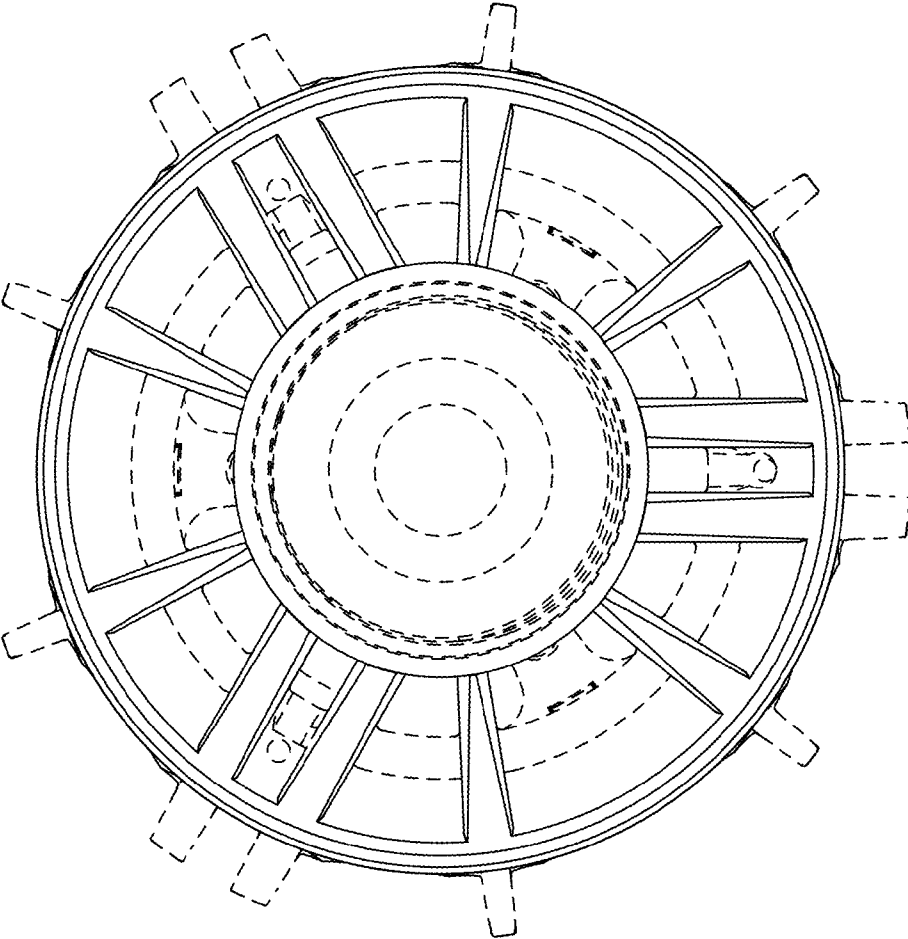


FIG. 7