



US00D548669S

(12) **United States Design Patent**
Mathis

(10) **Patent No.:** **US D548,669 S**

(45) **Date of Patent:** **** Aug. 14, 2007**

(54) **DASHBOARD ORNAMENT**

(76) Inventor: **Marty D. Mathis**, 8440 Smokey Rd.,
Melber, KY (US) 42069

(**) Term: **14 Years**

(21) Appl. No.: **29/209,279**

(22) Filed: **Jul. 14, 2004**

(51) **LOC (8) Cl.** **12-16**

(52) **U.S. Cl.** **D12/400**

(58) **Field of Classification Search** D12/400,
D12/199, 162; D11/157, 138, 163; D19/97;
D21/533, 548, 549-550; 40/409-411; 428/13-15
See application file for complete search history.

(56) **References Cited**

U.S. PATENT DOCUMENTS

D226,110 S	*	1/1973	Mathis	D21/548
5,314,371 A		5/1994	Mason		
D349,632 S	*	8/1994	Nicholson et al.	D21/549
5,549,940 A		8/1996	Noone		
D408,456 S		4/1999	Garner		
D413,362 S	*	8/1999	Linder	D21/549
D415,800 S	*	10/1999	Norton	D21/549
D419,207 S		1/2000	Lieberman		
6,106,362 A		8/2000	Keller et al.		

D437,822 S	*	2/2001	Gray	D12/400
D438,529 S		3/2001	Brennan		
D456,321 S	*	4/2002	Sammons et al.	D12/162
D473,486 S	*	4/2003	Gravois	D11/157
D493,751 S	*	8/2004	Brabant et al.	D12/162

* cited by examiner

Primary Examiner—Stacia Cadmus

(57) **CLAIM**

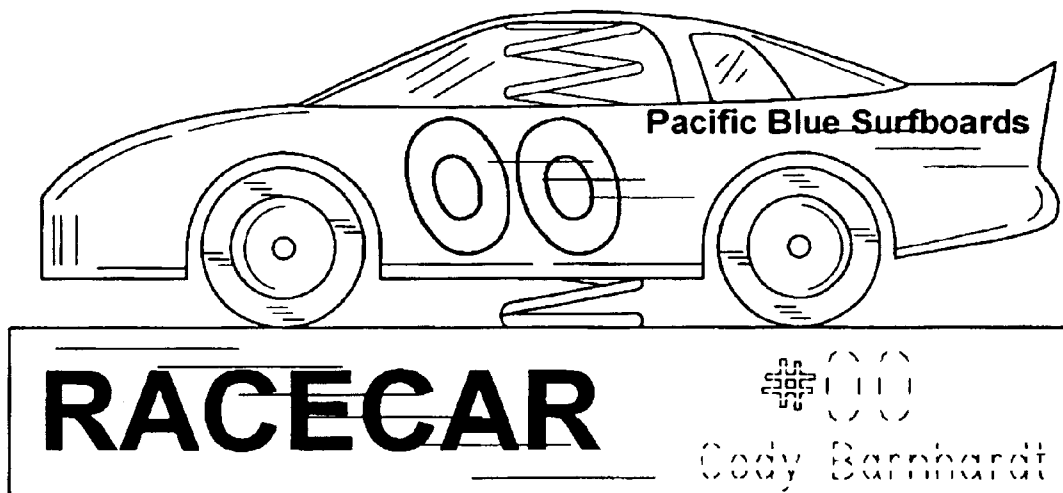
The ornamental design for a dashboard ornament, as shown and described.

DESCRIPTION

FIG. 1 is a front elevational view of a dashboard ornament showing my new design, the rear elevational view being a mirror image thereof;
 FIG. 2 is a side view, taken from the left side of FIG. 1;
 FIG. 3 is a side view, taken from the right side of FIG. 1;
 FIG. 4 is a top plan view thereof; and,
 FIG. 5 is a bottom plan view thereof.

The broken lines showing of environment is for illustrative purposes only and forms no part of the claimed design.
 The dotted lined in FIGS. 1 and 4 are for illustrative purposes only and do not constitute trademarks of the inventor.

1 Claim, 2 Drawing Sheets



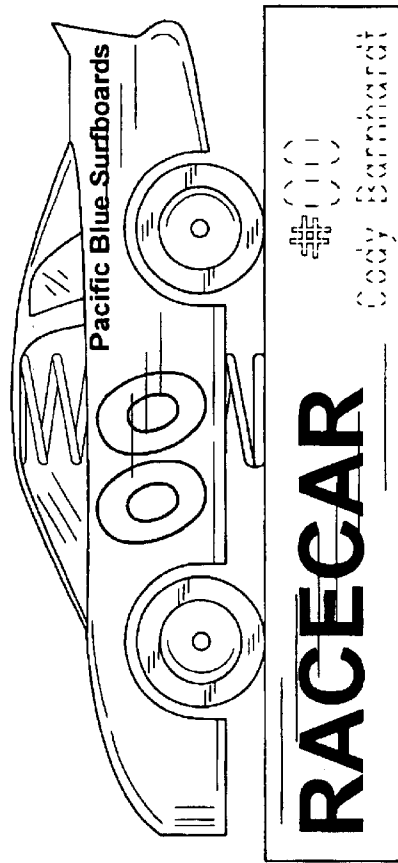


FIG. 1

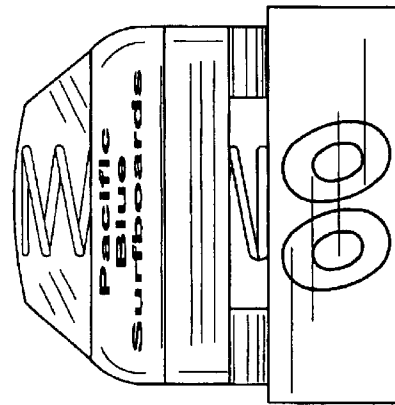


FIG. 2

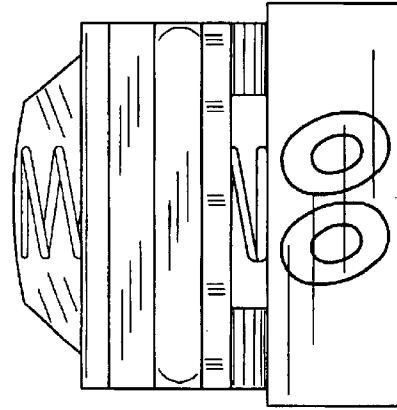


FIG. 3

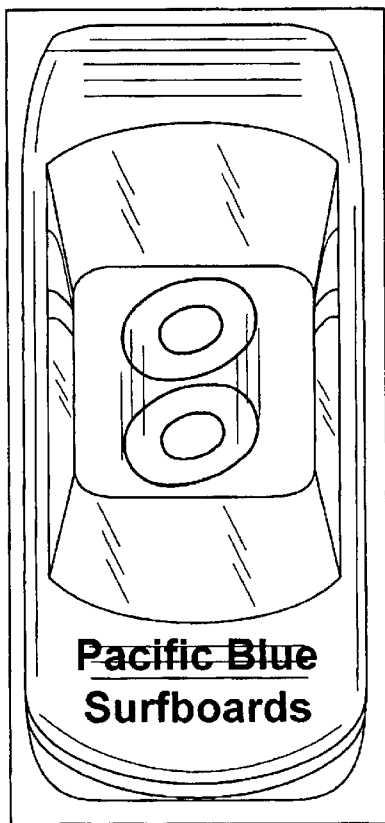


FIG. 4

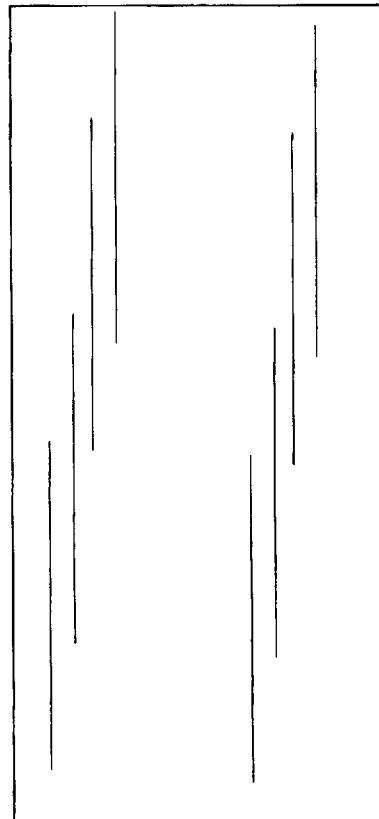


FIG. 5