



US00D409441S

United States Patent [19] Stephenson

[11] Patent Number: **Des. 409,441**

[45] Date of Patent: **** May 11, 1999**

- [54] CONTAINER FOR BEVERAGES
- [75] Inventor: **Karl Stephenson**, Seattle, Wash.
- [73] Assignee: **Bergschrund, Inc.**, Seattle, Wash.
- [**] Term: **14 Years**
- [21] Appl. No.: **29/093,135**
- [22] Filed: **Sep. 3, 1998**
- [51] LOC (6) Cl. **07-01**
- [52] U.S. Cl. **D7/510; D7/511; D7/536; D7/533**
- [58] Field of Search D7/509, 510, 511, D7/533, 535, 536; 220/703, 737, 705, 713, 729; 215/376

- D. 362,156 9/1995 Goto et al. D7/511
- D. 372,839 8/1996 Laib D7/536
- D. 375,655 11/1996 King D7/511
- D. 398,187 9/1998 Parker D7/510
- 5,531,353 7/1996 Ward et al. 220/729

Primary Examiner—M. N. Pandozzi
Attorney, Agent, or Firm—Christensen O'Connor Johnson & Kindness PLLC

[57] CLAIM

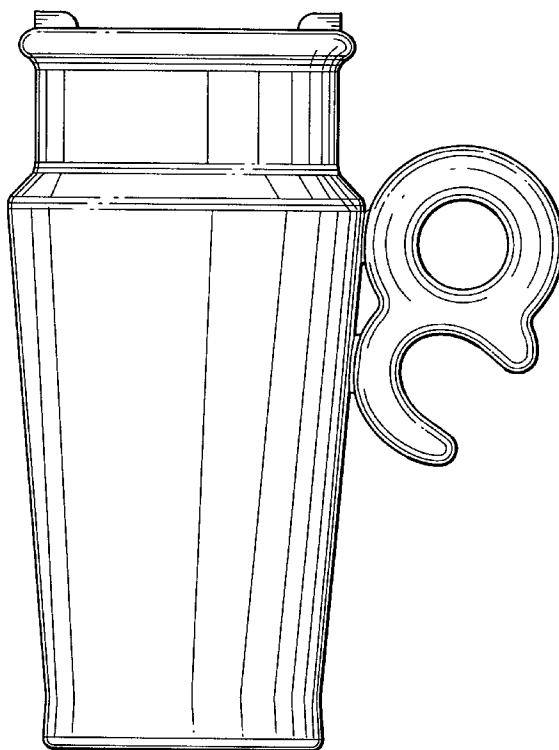
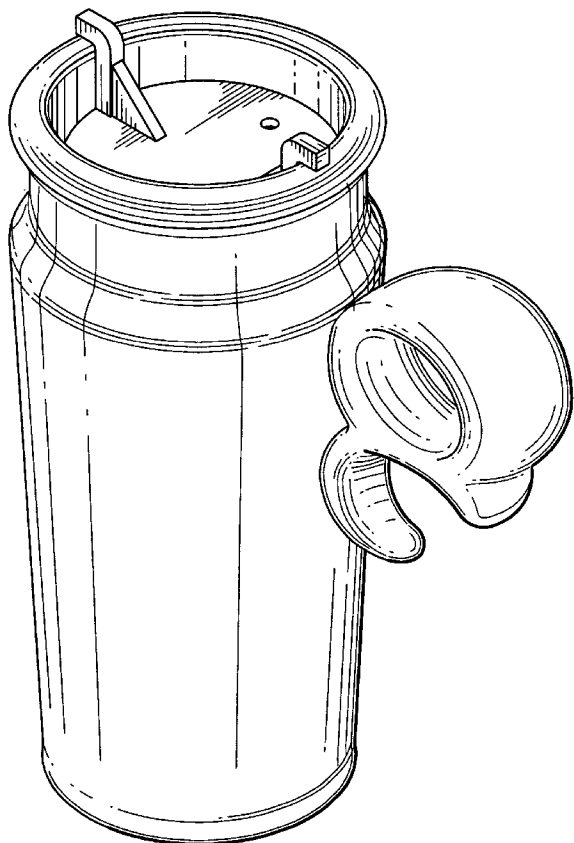
The ornamental design for a container for beverages, as shown and described.

DESCRIPTION

FIG. 1 is a top, front perspective view of a container for beverage showing my new design; FIG. 2 is a front elevational view thereof, the rear elevational view thereof being symmetrical; FIG. 3 is a top plan view thereof; FIG. 4 is a right side elevational view thereof; FIG. 5 is a bottom plan view thereof; and, FIG. 6 is a left side elevational view thereof.

- [56] **References Cited**
- U.S. PATENT DOCUMENTS**
- D. 214,458 6/1969 Riley D7/533
- D. 287,986 1/1987 Meier et al. D7/536
- D. 325,848 5/1992 Embree D7/510
- D. 330,484 10/1992 Ross D7/511

1 Claim, 3 Drawing Sheets



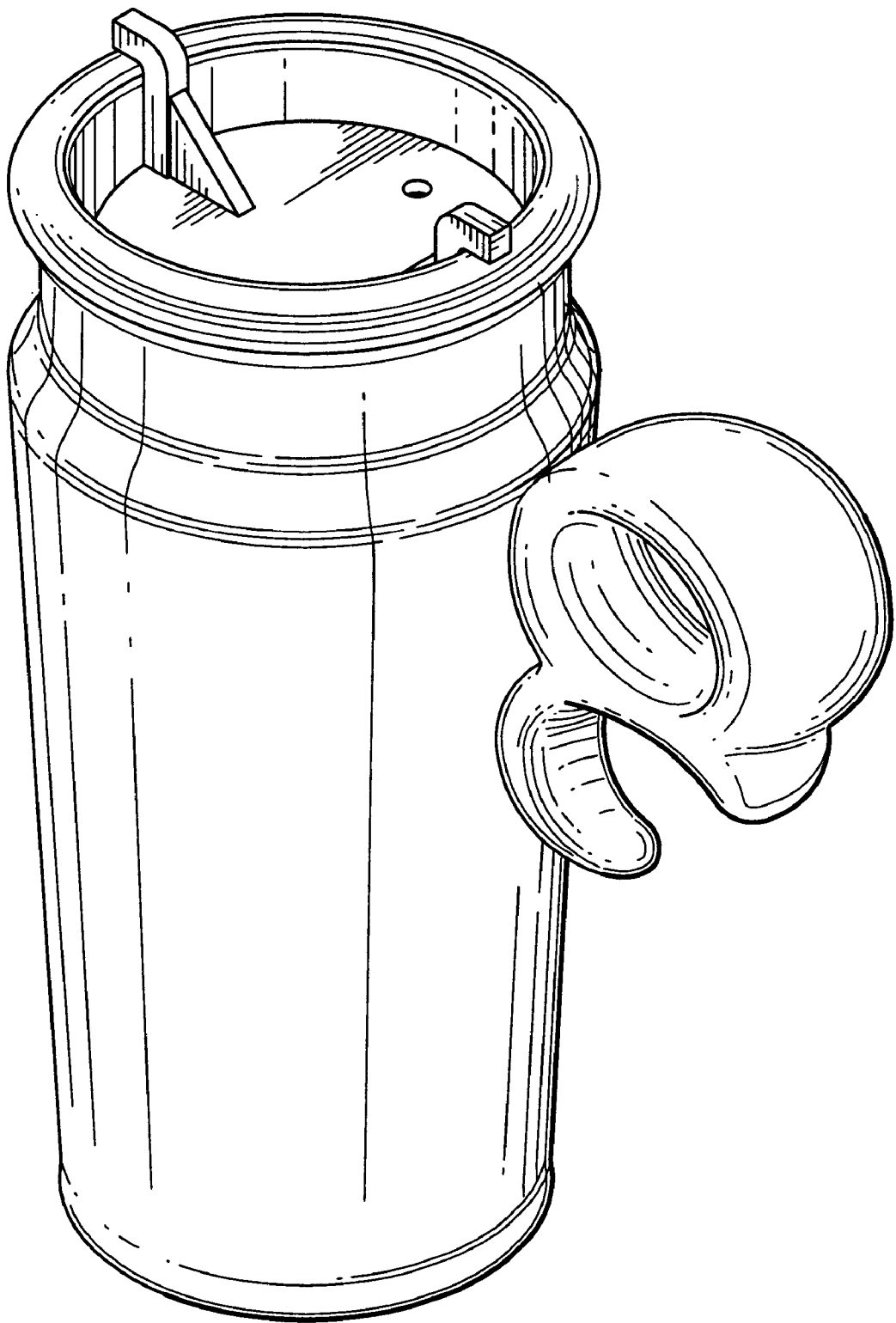


Fig. 1.

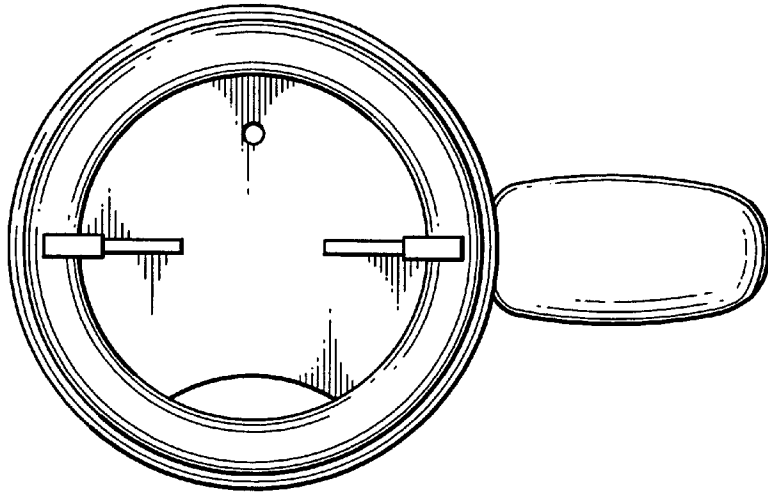


Fig. 3.

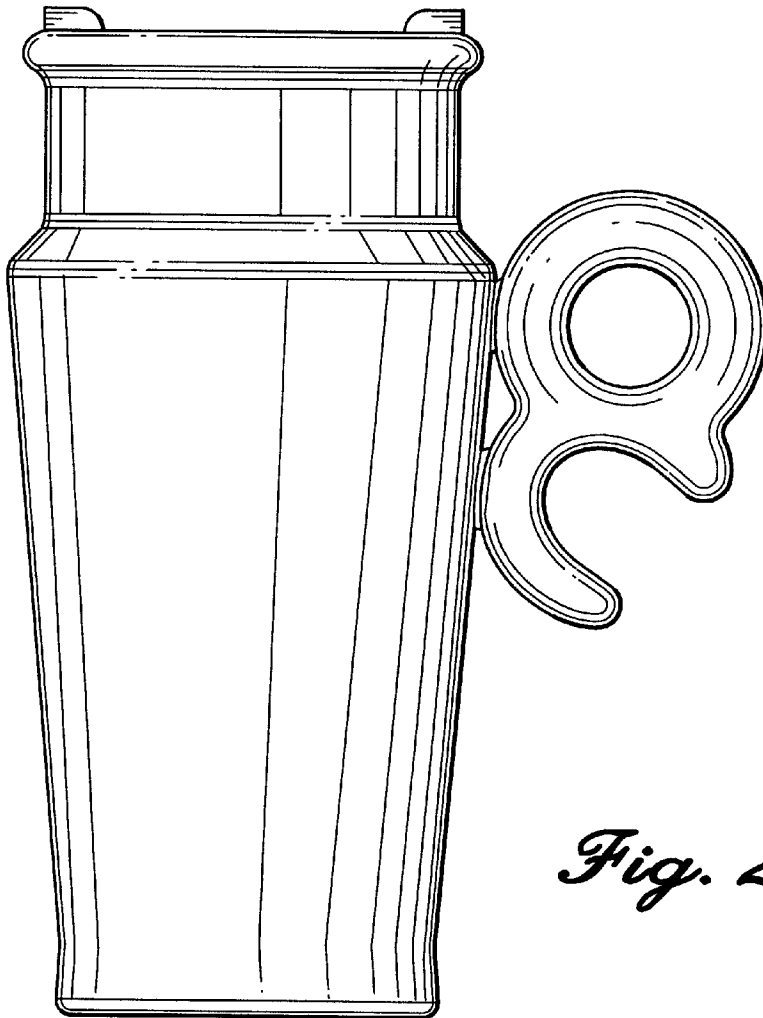


Fig. 2.

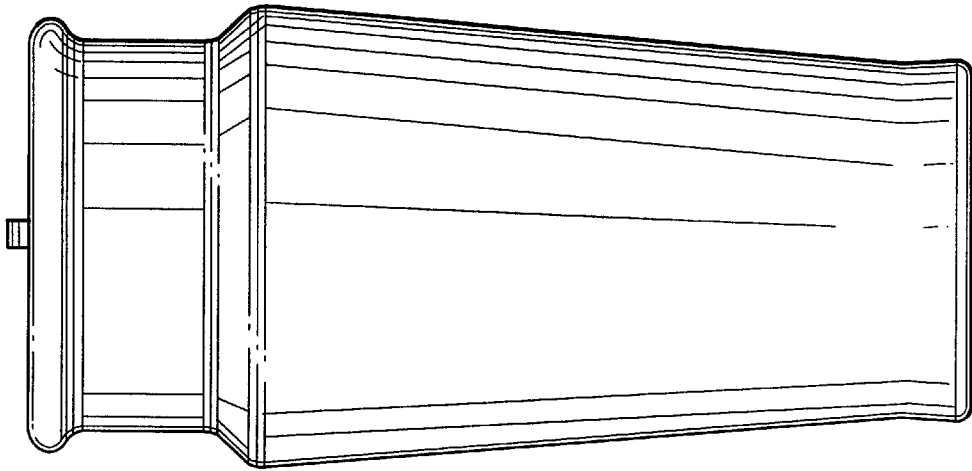


Fig. 6.

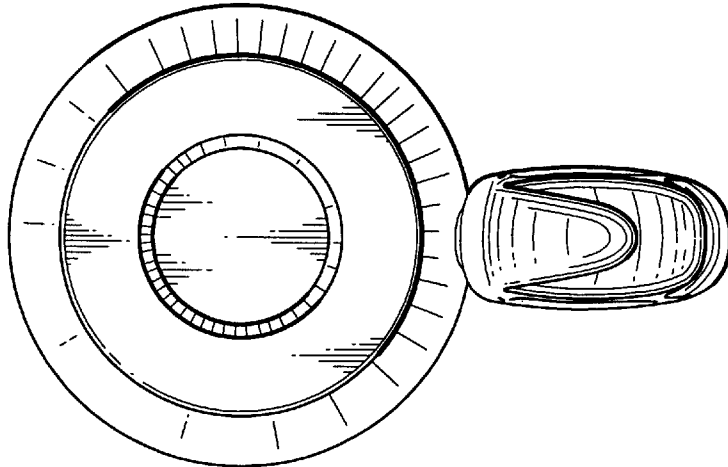


Fig. 5.

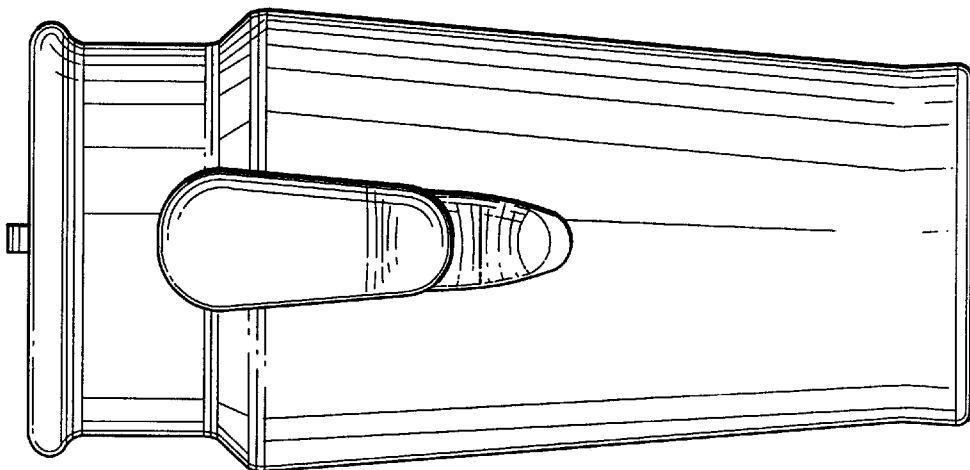


Fig. 4.

