



- (51) International Patent Classification:
G02B 6/38 (2006.01)
- (21) International Application Number:
PCT/US2012/042436
- (22) International Filing Date:
14 June 2012 (14.06.2012)
- (25) Filing Language: English
- (26) Publication Language: English
- (30) Priority Data:
61/496,715 14 June 2011 (14.06.2011) US
- (71) Applicant (for all designated States except US): **MOLEX INCORPORATED** [US/US]; 2222 Wellington Court, Lisle, Illinois 60532 (US).
- (72) Inventors; and
- (75) Inventors/Applicants (for US only): **HODGE, Malcolm H.** [US/US]; c/o Molex Incorporated, 2222 Wellington Court, Lisle, Illinois 60532 (US). **CHEN, WenZong** [US/US]; c/o Molex Incorporated, 2222 Wellington Court, Lisle, Illinois 60532 (US). **RICHARDSON, Dean** [US/US]; c/o Molex Incorporated, 2222 Wellington Court, Lisle, Illinois 60532 (US). **ERNST, Scot A.** [US/US]; c/o Molex Incorporated, 2222 Wellington Court, Lisle, Illinois 60532 (US). **SCHILTZ, Thomas D.** [US/US]; c/o Molex Incorporated, 2222 Wellington Court, Lisle, Illinois 60532 (US). **MARRAPODE, Thomas R.** [US/US]; c/o Molex Incorporated, 2222 Wellington Court, Lisle, Illinois 60532 (US).
- (74) Agent: **MORELLA, Timothy M.**; Molex Incorporated, 2222 Wellington Court, Lisle, Illinois 60532 (US).

- (81) Designated States (unless otherwise indicated, for every kind of national protection available): AE, AG, AL, AM, AO, AT, AU, AZ, BA, BB, BG, BH, BR, BW, BY, BZ, CA, CH, CL, CN, CO, CR, CU, CZ, DE, DK, DM, DO, DZ, EC, EE, EG, ES, FI, GB, GD, GE, GH, GM, GT, HN, HR, HU, ID, IL, IN, IS, JP, KE, KG, KM, KN, KP, KR, KZ, LA, LC, LK, LR, LS, LT, LU, LY, MA, MD, ME, MG, MK, MN, MW, MX, MY, MZ, NA, NG, NI, NO, NZ, OM, PE, PG, PH, PL, PT, QA, RO, RS, RU, RW, SC, SD, SE, SG, SK, SL, SM, ST, SV, SY, TH, TJ, TM, TN, TR, TT, TZ, UA, UG, US, UZ, VC, VN, ZA, ZM, ZW.
- (84) Designated States (unless otherwise indicated, for every kind of regional protection available): ARIPO (BW, GH, GM, KE, LR, LS, MW, MZ, NA, RW, SD, SL, SZ, TZ, UG, ZM, ZW), Eurasian (AM, AZ, BY, KG, KZ, RU, TJ, TM), European (AL, AT, BE, BG, CH, CY, CZ, DE, DK, EE, ES, FI, FR, GB, GR, HR, HU, IE, IS, IT, LT, LU, LV, MC, MK, MT, NL, NO, PL, PT, RO, RS, SE, SI, SK, SM, TR), OAPI (BF, BJ, CF, CG, CI, CM, GA, GN, GQ, GW, ML, MR, NE, SN, TD, TG).

Published:

- with international search report (Art. 21(3))
- before the expiration of the time limit for amending the claims and to be republished in the event of receipt of amendments (Rule 48.2(h))

- (88) Date of publication of the international search report:
11 April 2013

(54) Title: FERRULE ASSEMBLY WITH INTEGRAL LATCH

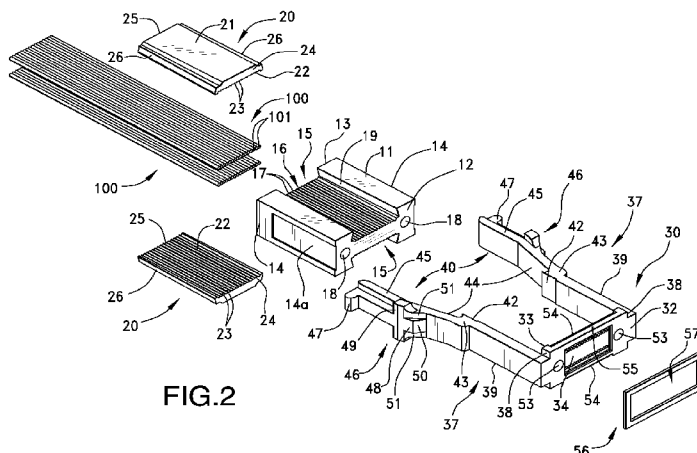


FIG. 2

(57) Abstract: An optical fiber assembly includes a ferrule body with a plurality of optical fibers positioned therein. The assembly may include a beam expanding element adjacent the front face of the ferrule body with a lens array aligned with the optical fibers. A resilient latch is integrally formed with the beam expanding element or the ferrule body.

WO 2012/174227 A3

INTERNATIONAL SEARCH REPORT

International application No.
PCT/US2012/042436**A. CLASSIFICATION OF SUBJECT MATTER****G02B 6/38(2006.01)i**

According to International Patent Classification (IPC) or to both national classification and IPC

B. FIELDS SEARCHED

Minimum documentation searched (classification system followed by classification symbols)

G02B 6/38; G02B 6/36

Documentation searched other than minimum documentation to the extent that such documents are included in the fields searched

Korean utility models and applications for utility models

Japanese utility models and applications for utility models

Electronic data base consulted during the international search (name of data base and, where practicable, search terms used)

eKOMPASS(KIPO internal) & keywords: latch, optical fiber, resilient, ferrule

C. DOCUMENTS CONSIDERED TO BE RELEVANT

Category*	Citation of document, with indication, where appropriate, of the relevant passages	Relevant to claim No.
X	US 2007-0098329 A1 (SHIMOJI et al.) 30 May 2007	13-15
Y	See abstract, paragraphs [0025]-[0030] and figures 1-2.	1-12, 16
Y	US 2011-0103747 A1 (CHANG et al.) 05 May 2011 See abstract, paragraphs [0015]-[0018] and figures 1-4.	1-12, 16
A	US 2005-0281509 A1 (COX et al.) 22 December 2005 See abstract, paragraphs [0017]-[0024] and figures 1-4.	1-16
A	US 6386768 B1 (YOON et al.) 14 May 2002 See abstract, columns 6-7 and figures 4-6.	1-16
A	US 2005-0135753 A1 (EIGENMANN et al.) 23 June 2005 See abstract, paragraphs [0027]-[0034] and figures 3-4.	1-16

 Further documents are listed in the continuation of Box C. See patent family annex.

* Special categories of cited documents:

"A" document defining the general state of the art which is not considered to be of particular relevance

"E" earlier application or patent but published on or after the international filing date

"L" document which may throw doubts on priority claim(s) or which is cited to establish the publication date of citation or other special reason (as specified)

"O" document referring to an oral disclosure, use, exhibition or other means

"P" document published prior to the international filing date but later than the priority date claimed

"T" later document published after the international filing date or priority date and not in conflict with the application but cited to understand the principle or theory underlying the invention

"X" document of particular relevance; the claimed invention cannot be considered novel or cannot be considered to involve an inventive step when the document is taken alone

"Y" document of particular relevance; the claimed invention cannot be considered to involve an inventive step when the document is combined with one or more other such documents, such combination being obvious to a person skilled in the art

"&" document member of the same patent family

Date of the actual completion of the international search

29 JANUARY 2013 (29.01.2013)

Date of mailing of the international search report

30 JANUARY 2013 (30.01.2013)

Name and mailing address of the ISA/KR

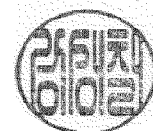


Facsimile No. 82-42-472-7140

Authorized officer

KANG Sung Chul

Telephone No. 82-42-481-8405



INTERNATIONAL SEARCH REPORT

Information on patent family members

International application No.

PCT/US2012/042436

Patent document cited in search report	Publication date	Patent family member(s)	Publication date
US 2007-0098329 A1	03.05.2007	CN 1955772 A	02.05.2007
		CN 1955772 B	12.05.2010
		CN 1955772 C0	02.05.2007
		JP 2007-121599 A	17.05.2007
		KR 10-2007-0045972 A	02.05.2007
		US 7341381 B2	11.03.2008
		US 2011-0103747 A1	05.05.2011
		US 08235601 B2	07.08.2012
US 2005-0281509 A1	22.12.2005	WO 2006-007120 A1	19.01.2006
US 6386768 B1	14.05.2002	CN 1166969 C0	15.09.2004
		CN 1273367 A0	15.11.2000
		DE 60037920 T2	05.02.2009
		EP 1048965 A2	02.11.2000
		EP 1048965 A3	13.12.2000
		EP 1048965 B1	30.01.2008
		JP 03-636634 B2	06.04.2005
		JP 2000-321467 A	24.11.2000
		KR 10-0677065 B1	01.02.2007
		KR 10-2000-0067536 A	25.11.2000
US 2005-0135753 A1	23.06.2005	AU 2003-252823 A1	22.09.2003
		EP 1483610 A1	08.12.2004
		WO 2003-076997 A1	18.09.2003