

(19) World Intellectual Property Organization
International Bureau



(43) International Publication Date
31 January 2008 (31.01.2008)

PCT

(10) International Publication Number
WO 2008/012104 A3

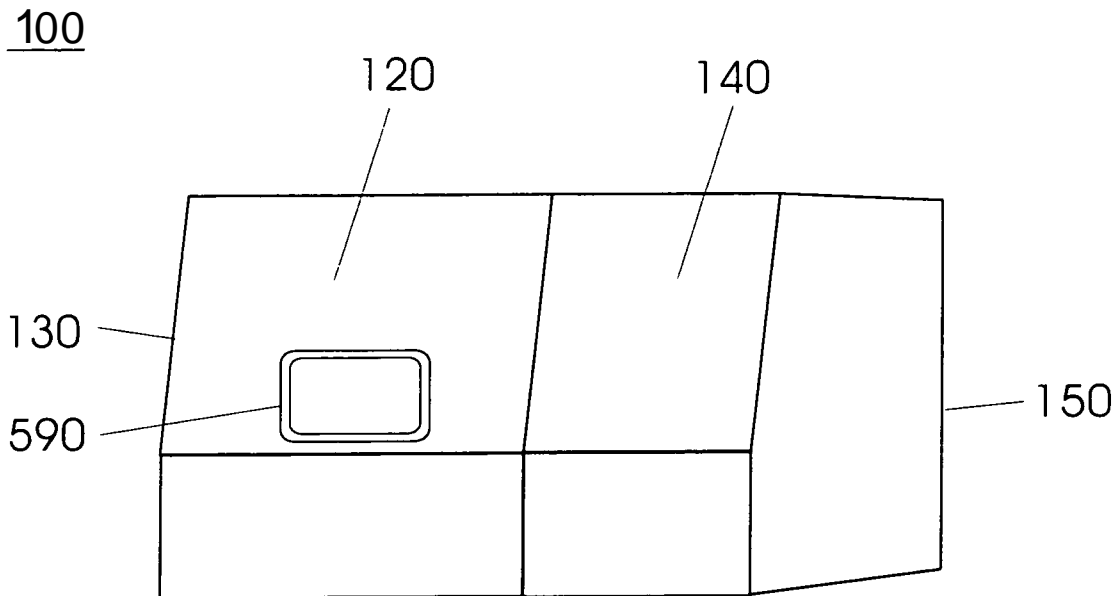
- (51) **International Patent Classification:**
GOIN 35/00 (2006.01)
- (21) **International Application Number:**
PCT/EP2007/006684
- (22) **International Filing Date:** 27 July 2007 (27.07.2007)
- (25) **Filing Language:** English
- (26) **Publication Language:** English
- (30) **Priority Data:**
06015812.8 28 July 2006 (28.07.2006) EP
60/834,195 28 July 2006 (28.07.2006) US
- (71) **Applicant (for all designated States except US):** **QIAGEN GMBH** [DE/DE]; Qiagen Strasse 1, 40724 Hilden (DE).
- (72) **Inventors; and**
- (75) **Inventors/Applicants (for US only):** **ALFREDSSON, Magnus** [SE/CH]; Santisstrasse 4, CH-8570 Weinfelden (CH). **LUTZE, Konstantin** [DE/CH]; Alte Landstrasse 248, CH-8708 Mannedorf (CH). **DEUTSCHMANN, Thomas** [DE/DE]; Lindenallee 20, 42349 Wuppertal (DE). **AESCHBACHER, Jurg** [CWCH]; Eichwisenrain 14, CH-8634 Hombrechtikon (CH). **WALDER, Bruno** [CWCH]; Am Klusbach 14, CH-8616 Riedikon (CH). **WIDLER, Patrick** [CWCH]; Rebhaldenstrasse

8, CH-8807 Freienbach (CH). **FARNER, Samuel** [CWCH]; Hohenstrasse 35, CH-8342 Wernetshausen (CH). **FRIEDERICHS, Ulf** [DE/CH]; Rainstrasse 72, CH-8712 Stafa (CH). **BUTZER, Axel** [DE/CH]; Obere Matt 28, CH-8713 Uerikon (CH).

- (74) **Agents:** **LEIDESCHER, Thomas** et al.; c/o Zimmermann & Partner, Josephspitalstr. 15, 80331 Munich (DE).
- (81) **Designated States (unless otherwise indicated, for every kind of national protection available):** AE, AG, AL, AM, AT, AU, AZ, BA, BB, BG, BH, **BR**, BW, BY, BZ, CA, CH, CN, CO, CR, CU, CZ, DE, DK, DM, DO, DZ, EC, EE, EG, ES, FI, GB, GD, GE, GH, GM, GT, HN, **HR**, HU, **ID**, IL, IN, IS, **JP**, KE, KG, KM, KN, KP, KR, KZ, LA, LC, LK, LR, LS, LT, LU, LY, MA, MD, ME, MG, MK, MN, MW, MX, MY, MZ, NA, NG, NI, NO, NZ, OM, PG, PH, PL, PT, RO, RS, RU, SC, SD, SE, SG, SK, SL, SM, SV, SY, TJ, TM, TN, TR, TT, TZ, UA, UG, US, UZ, VC, VN, ZA, ZM, ZW
- (84) **Designated States (unless otherwise indicated, for every kind of regional protection available):** ARIPO (BW, GH, GM, KE, LS, MW, MZ, NA, SD, SL, SZ, TZ, UG, ZM, ZW), Eurasian (AM, AZ, BY, KG, KZ, MD, RU, TJ, TM), European (AT, BE, BG, CH, CY, CZ, DE, DK, EE, ES, FI, FR, GB, GR, HU, IE, IS, IT, LT, LU, LV, MC, MT, NL, PL, PT, RO, SE, SI, SK, TR), OAPI (BF, **BJ**, CF, CG, CI, CM, GA, GN, GQ, GW, ML, MR, NE, SN, TD, TG).

[Continued on next page]

(54) **Title:** DEVICE FOR PROCESSING SAMPLES



(57) **Abstract:** Device for sample processing, particularly sample conditioning as well as for the preparation and/or optionally for implementing a sequential process for an analyte from a biological sample, said device comprising a module for receiving and/or outputting at least one sample vessel or process vessel, a module for transporting a process vessel, a module for sample conditioning and a module for initiating a sequential process for an analyte. The modules are divided into at least two units that each possesses a control system, and which are connected through a first data bus.

WO 2008/012104 A3



Published:

- *with international search report*
- *before the expiration of the time limit for amending the claims and to be republished in the event of receipt of amendments*

(88) Date of publication of the international search report:
29 May 2008

INTERNATIONAL SEARCH REPORT

International application No PCT/EP2007/006684
--

A. CLASSIFICATION OF SUBJECT MATTER
INV. G01N35/00

According to International Patent Classification (IPC) or to both national classification and IPC

B. REIDS SEARCHED

Minimum documentation searched (classification system followed by classification symbols)
 GO1N B03C C12Q B01J

Documentation searched other than minimum documentation to the extent that such documents are included in the fields searched

Electronic data base consulted during the international search (name of data base and, where practical, search terms used)
 EPO-Internal , WPI Data

C. DOCUMENTS CONSIDERED TO BE RELEVANT

Category*	Citation of document, with indication, where appropriate, of the relevant passages	Relevant to claim No.
X	DE 299 24 635 U1 (GEN PROBE INC SAN DIEGO [US]) 9 June 2004 (2004-06-09)	1, 3-8, 11-14
Y	abstract paragraph [0006] paragraph [0016] - paragraph [0019] paragraph [0093] - paragraph [0095] paragraph [0099] - paragraph [0101] paragraph [0103] - paragraph [0106] paragraph [0118] - paragraph [0123] paragraph [0126] paragraph [0129] paragraph [0139] - paragraph [0140] paragraph [0159] - paragraph [0165] paragraph [0187] paragraph [0202] paragraph [0212] paragraph [0220] paragraph [0223]	2, 9, 10
	- / - -	

<input checked="" type="checkbox"/> Further documents are listed in the continuation of Box C	<input checked="" type="checkbox"/> See patent family annex.
---	--

Special categories of cited documents :

¹ A' document defining the general state of the art which is not considered to be of particular relevance	¹ T* later document published after the international filing date or priority date and not in conflict with the application but cited to understand the principle or theory underlying the invention
¹ E' earlier document but published on or after the International filing date	'X*' document of particular relevance, the claimed invention cannot be considered novel or cannot be considered to involve an inventive step when the document is taken alone
¹ L' document which may throw doubts on priority claim(s) or which is cited to establish the publication date of another citation or other special reason (as specified)	'Y' document of particular relevance, the claimed invention cannot be considered to involve an inventive step when the document is combined with one or more other such documents, such combination being obvious to a person skilled in the art.
¹ O' document referring to an oral disclosure, use, exhibition or other means	'&' document member of the same patent family
¹ P' document published prior to the international filing date but later than the priority date claimed	

Date of the actual completion of the international search 11 February 2008	Date of mailing of the international search report 17/03/2008
--	--

Name and mailing address of the ISA/ European Patent Office, P.B. 5818 Patentlaan 2 NL - 2280 HV Rijswijk Tel. (+31-70) 340-2040, Tx. 31 651 epo nl, Fax (+31-70) 340-3016	Authorized officer Koch, Anette
--	---

INTERNATIONAL SEARCH REPORT

International application No
PCT/EP2007/006684

(^Continuation). DOCUMENTS CONSIDERED TO BE RELEVANT		
Category'	Citation of document, with indication, where appropriate, of the relevant passages	Relevant to claim No.
X	<p>figures 1-60</p> <p>-----</p> <p>wo 03/090897 A (ABBOTT LAB [US] ; SAFAR SCOTT G [US]; GALITZ CHARLES M [US] ; HERCHENBAC) 6 November 2003 (2003-11-06) page 1, paragraph 3 - page 2, paragraph 1 page 9, paragraph 4 - page 15, paragraph 1 figures 1-12 page 28, paragraph 2 - page 28, paragraph 3 page 32, paragraph 3</p> <p>-----</p>	1,3-5,7, 11,13,14
X	<p>wo 00/60362 A1 (YOUNG CHUNG CHANG [US] ; CHAN JOSEPH L [US]) 12 October 2000 (2000-10-12) page 5, line 1 - page 6, paragraph 1 page 11, paragraph 3 - page 14, paragraph 9 page 16, paragraph 3 - page 17, paragraph 2 page 19, paragraph 2 - page 21, paragraph 1 page 22, line 1 - page 23, paragraph 4 figure 1</p> <p>-----</p>	1,5-8, 11,12
X	<p>US 2004/175258 A1 (HAAS HANSJOERG [CA]) 9 September 2004 (2004-09-09) abstract; figure 1 paragraph [0020] paragraph [0024] - paragraph [0026] paragraph [0030] - paragraph [0031] figure 1</p> <p>-----</p>	1,5
A	<p>US 2004/241828 A1 (HUAU MARIE-CHRISTINE [FR] ET AL) 2 December 2004 (2004-12-02) paragraph [0015] - paragraph [0021] paragraph [0028] - paragraph [0029] paragraph [0035] - paragraph [0036] paragraph [0056] - paragraph [0069] paragraph [0075] - paragraph [0080] paragraph [0083] - paragraph [0089] paragraph [0097] - paragraph [0109] figure 1</p> <p>-----</p>	1,4,8
	-/--	

INTERNATIONAL SEARCH REPORT

International application No

PCT/EP2007/006684

C(Continuation). DOCUMENTS CONSIDERED TO BE RELEVANT		
Category'	Citation of document with indication where appropriate, of the relevant passages	Relevant to claim No
Y	US 2003/032191 A1 (HILSON RICHARD O [US] ET AL) 13 February 2003 (2003-02-13)	2,9,10
X	paragraph [0001] - paragraph [0002] paragraph [0005] paragraph [0008] paragraph [0013] - paragraph [0014] paragraph [0042] - paragraph [0046] paragraph [0056] paragraph [0059] paragraph [0078] - paragraph [0079] paragraph [0101] - paragraph [0112] paragraph [0116] paragraph [0142] - paragraph [0165] figures 1,5-7	15-18
X	----- US 5 428 470 A (LABRIOLA II DONALD P [US]) 27 June 1995 (1995-06-27) column 2, line 16 - column 2, line 68 column 3, line 36 - column 4, line 55 column 6, line 22 - column 6, line 36 column 9, line 45 - column 11, line 48 column 15, line 42 - column 15, line 50 column 16, line 29 - column 16, line 43 figures 1,2 -----	15,17,18

INTERNATIONAL SEARCH REPORT

International application No.
PCT/EP2007/006684

Box No. II Observations where certain claims were found unsearchable (Continuation of item 2 of first sheet)

This international search report has not been established in respect of certain claims under Article 17(2)(a) for the following reasons:

1. Claims Nos.:
because they relate to subject matter not required to be searched by this Authority, namely:

2. Claims Nos.:
because they relate to parts of the international application that do not comply with the prescribed requirements to such an extent that no meaningful international search can be carried out, specifically:

3. Claims Nos.:
because they are dependent claims and are not drafted in accordance with the second and third sentences of Rule 6.4(a).

Box No. III Observations where unity of invention is lacking (Continuation of item 3 of first sheet)

This International Searching Authority found multiple inventions in this international application, as follows:

see additional sheet

1. As all required additional search fees were timely paid by the applicant, this international search report covers allsearchable claims.
2. As all searchable claims could be searched without effort justifying an additional fees, this Authority did not invite payment of additional fees.
3. As only some of the required additional search fees were timely paid by the applicant, this international search report covers only those claims for which fees were paid, specifically claims Nos.:
4. No required additional search fees were timely paid by the applicant. Consequently, this international search report is restricted to the invention first mentioned in the claims; it is covered by claims Nos.:

Remark on Protest

- The additional search fees were accompanied by the applicant's protest and, where applicable, the payment of a protest fee.
- The additional search fees were accompanied by the applicant's protest but the applicable protest fee was not paid within the time limit specified in the invitation.
- No protest accompanied the payment of additional search fees.

FURTHER INFORMATION CONTINUED FROM PCT/ASA/ 210

This International Searching Authority found multiple (groups of) inventions in this international application, as follows:

1. claims: 1,3-8,11-14

Device for sample processing

2. claims: 2,9,10,15-18

further device for sample processing, unit for sample
processing, as well as module for use in a unit for
processing biological samples ¹

INTERNATIONAL SEARCH REPORT

Information on patent family members

International application No

PCT/EP2007/006684

Patent document cited in search report	Publication date	Patent family member(s)	Publication date
DE 29924635	U1	09-06-2004	EP 1614470 A2 11-01-2006
			EP 1614471 A1 11-01-2006
			EP 1614472 A2 11-01-2006
			EP 1614473 A2 11-01-2006
			EP 1614474 A2 11-01-2006
			EP 1614475 A2 11-01-2006
			EP 1623764 A2 08-02-2006
<hr/>			
WO 03090897	A	06-11-2003	CA 2483445 A1 06-11-2003
			EP 1499415 A1 26-01-2005
			JP 2005523692 T 11-08-2005
<hr/>			
WO 0060362	A1	12-10-2000	AU 4226900 A 23-10-2000
<hr/>			
us 2004175258	A1	09-09-2004	NONE
<hr/>			
us 2004241828	A1	02-12-2004	NONE
<hr/>			
us 2003032191	A1	13-02-2003	US 2005244972 A1 03-11-2005
<hr/>			
us 5428470	A	27-06-1995	NONE
<hr/>			