



US00D804692S

(12) **United States Design Patent**  
**Lai**

(10) **Patent No.:** **US D804,692 S**

(45) **Date of Patent:** **\*\* Dec. 5, 2017**

(54) **AUTOMOBILE HEADLIGHT**

(71) Applicant: **Ching-Tsung Lai**, Tainan (TW)

(72) Inventor: **Ching-Tsung Lai**, Tainan (TW)

(\*\*) Term: **15 Years**

(21) Appl. No.: **29/584,212**

(22) Filed: **Nov. 11, 2016**

(51) **LOC (10) Cl.** ..... **26-06**

(52) **U.S. Cl.**  
USPC ..... **D26/28**

(58) **Field of Classification Search**  
USPC ..... D26/28-36; 362/80-83, 267-269,  
362/459-468, 475-478, 485-487  
CPC ..... F21S 48/00; F21S 48/10; F21S 48/115;  
F21S 48/1233; F21S 48/1266; F21S  
48/1388; F21S 48/2268; F21V 21/04  
See application file for complete search history.

(56) **References Cited**

**U.S. PATENT DOCUMENTS**

D506,842 S \* 6/2005 Nagura ..... D26/28  
D524,466 S \* 7/2006 Essig ..... D26/28

D529,208 S \* 9/2006 Ikeda ..... D26/28  
D538,954 S \* 3/2007 Pfeiffer ..... D26/28  
D542,442 S \* 5/2007 Matsunami ..... D26/28  
D552,768 S \* 10/2007 Leclercq ..... D26/28  
D570,007 S \* 5/2008 Hsu ..... D26/28

\* cited by examiner

*Primary Examiner* — Marcus Jackson

(74) *Attorney, Agent, or Firm* — Alexander Chen, Esq.

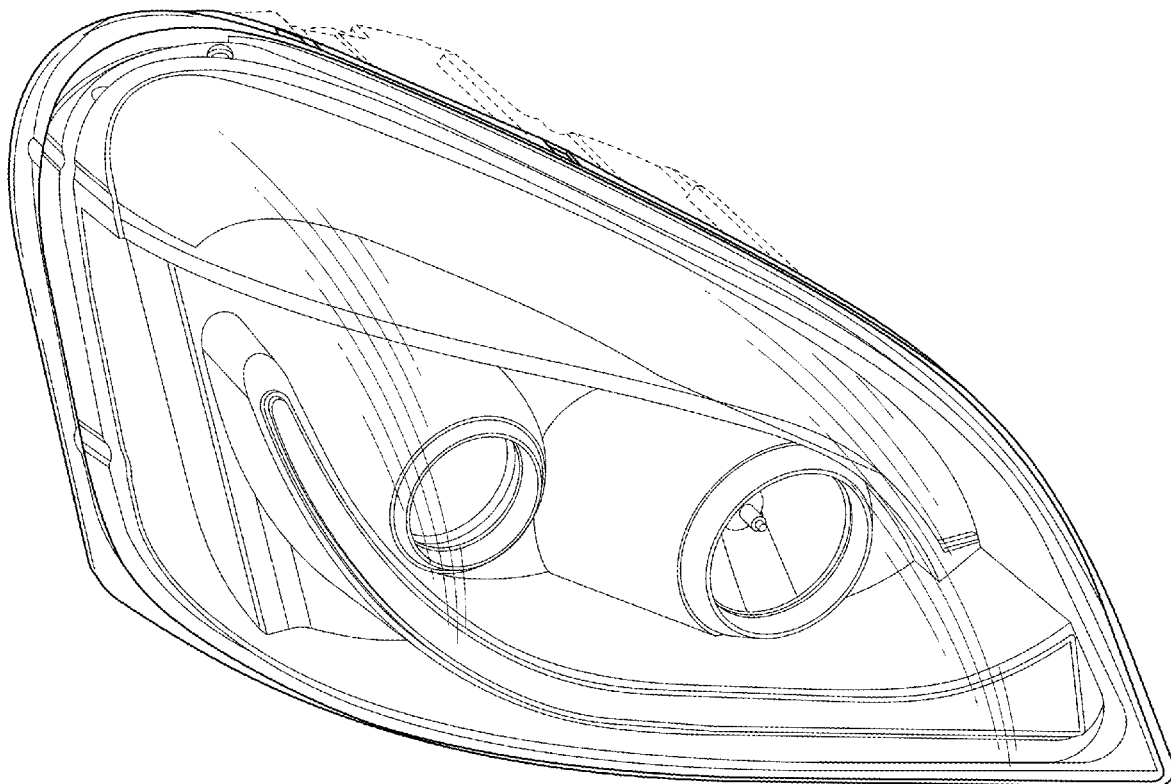
(57) **CLAIM**

The ornamental design for automobile headlight, as shown and described.

**DESCRIPTION**

FIG. 1 is a perspective view of an automobile headlight; FIG. 2 is a front view thereof; FIG. 3 is a right side view thereof; and, FIG. 4 is a side view thereof. The broken lines are included to show environmental structure and form no part of the claimed design. The drawings and descriptions represent the left side embodiment. The claim is also for a mirror image right side embodiment.

**1 Claim, 4 Drawing Sheets**



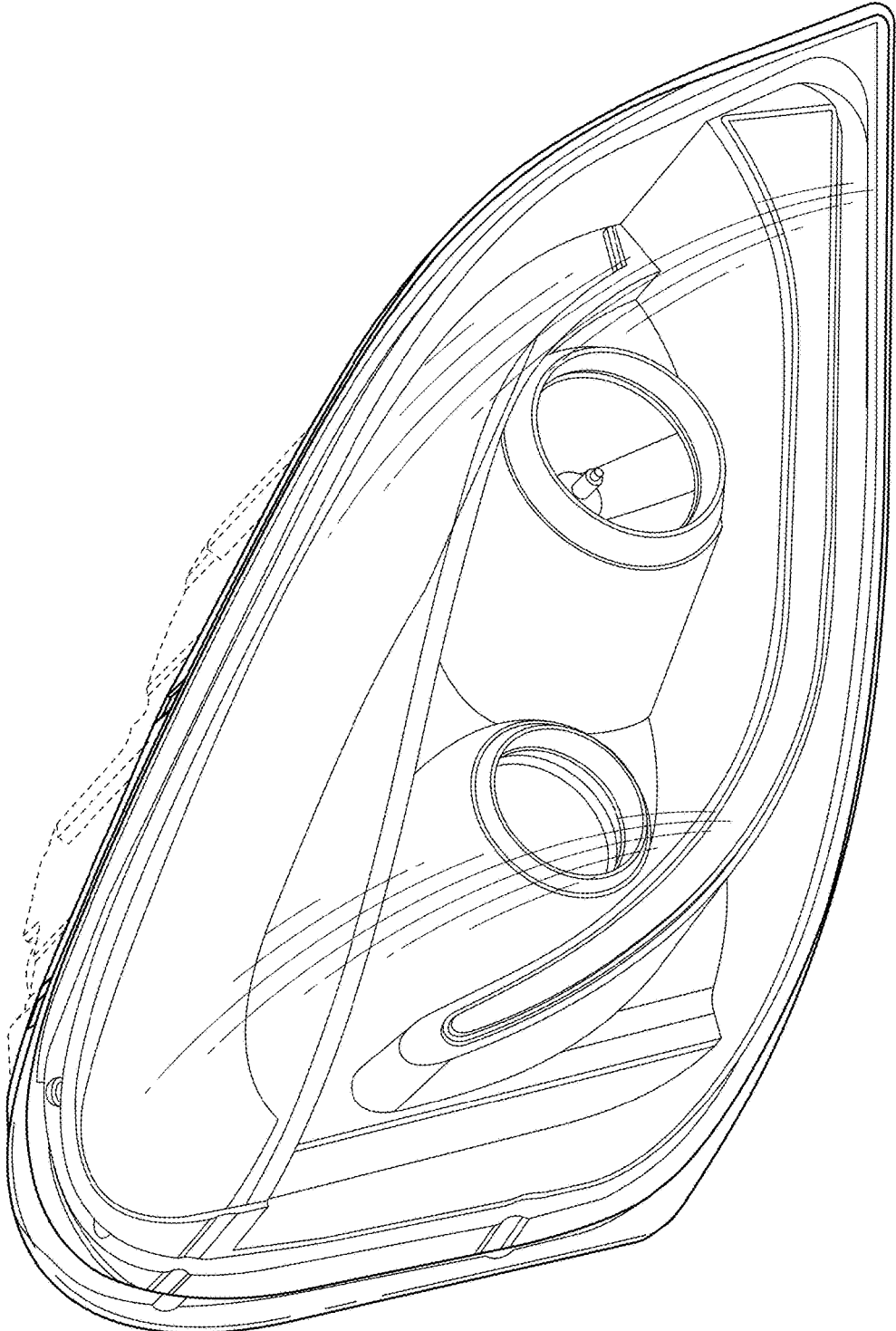


FIG. 1

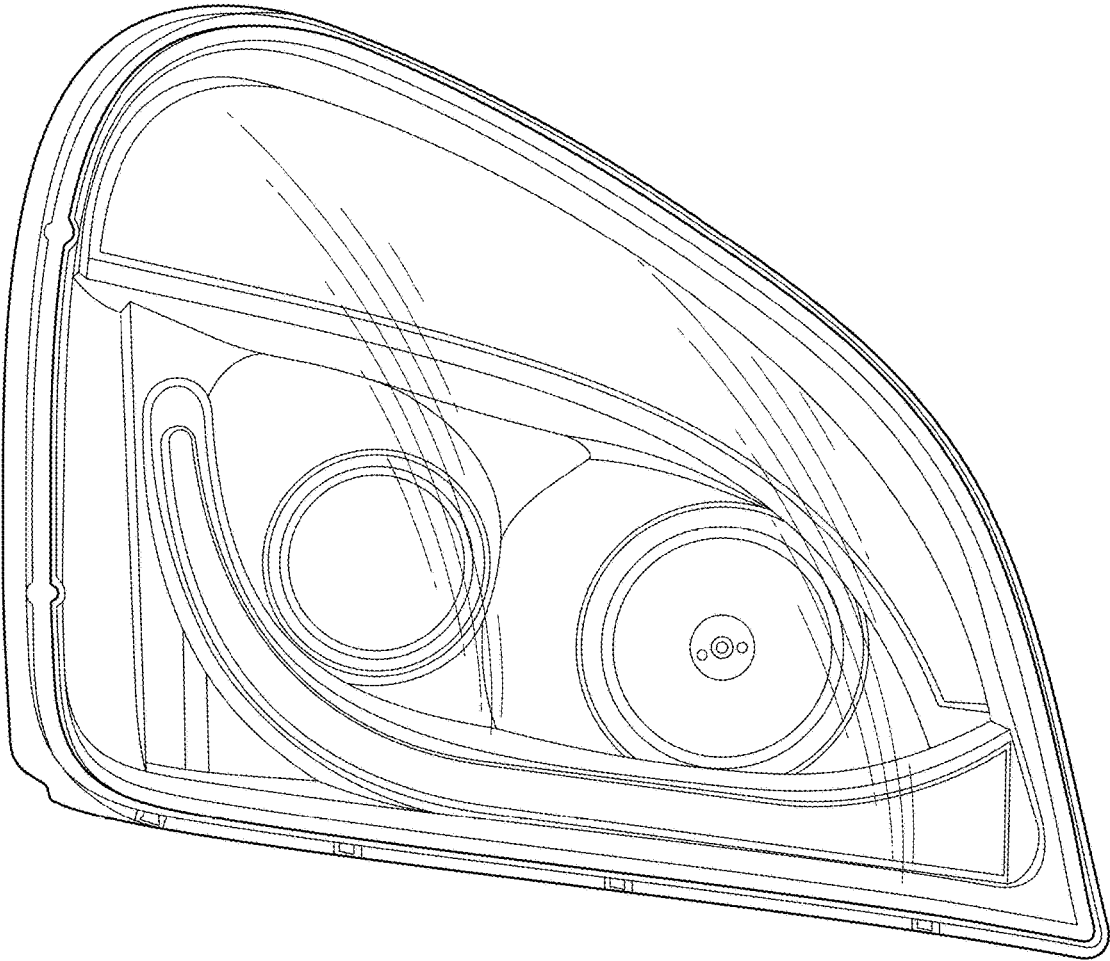


FIG. 2

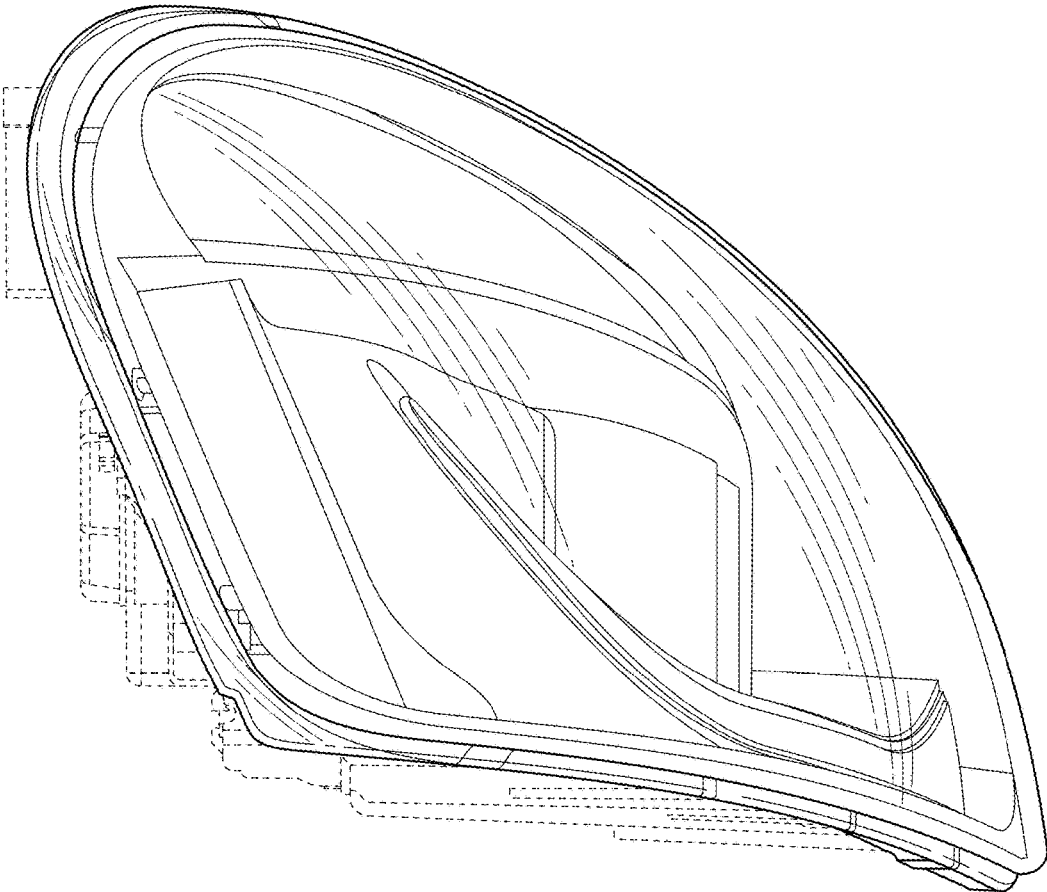


FIG. 3

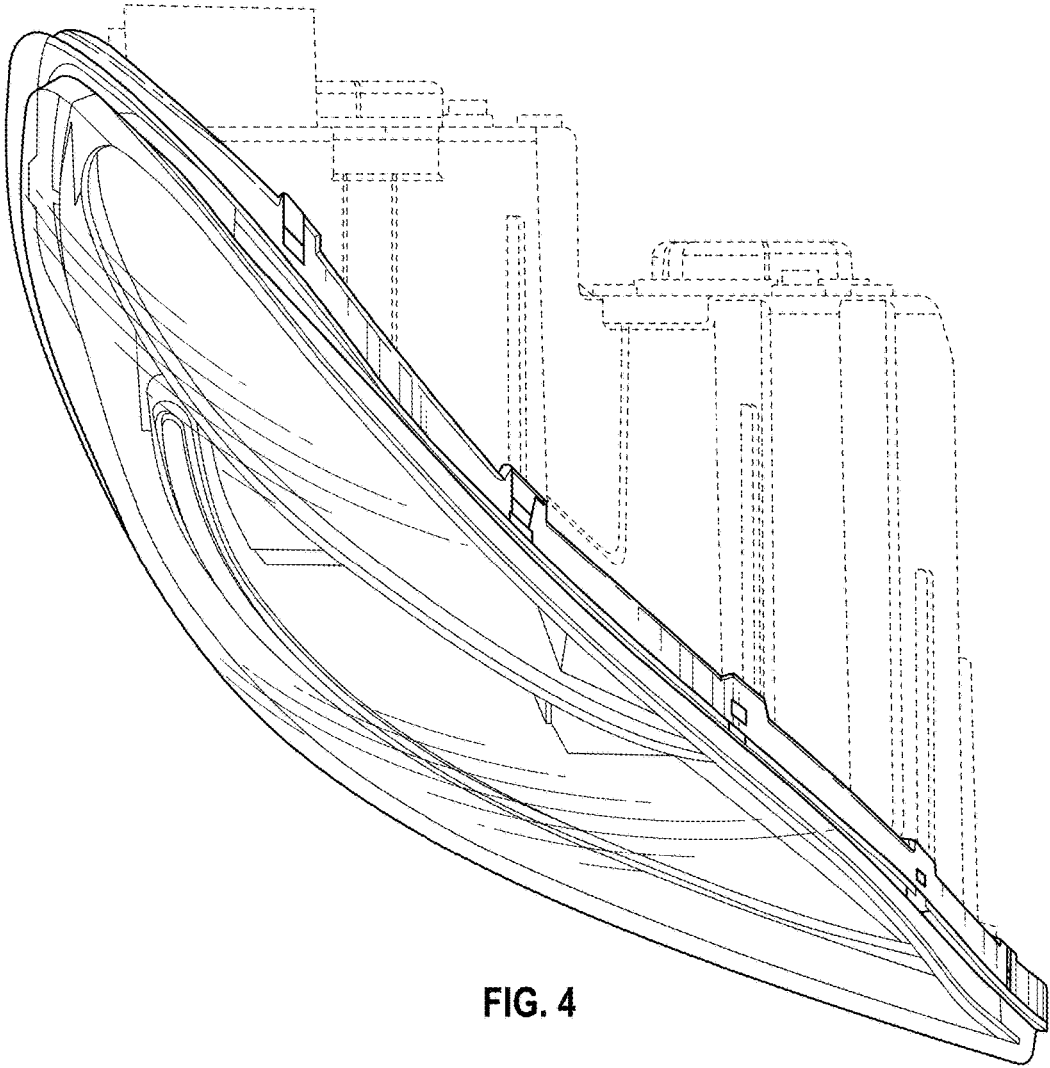


FIG. 4