



US00D366264S

United States Patent [19]

[11] Patent Number: **Des. 366,264**

Eberlin

[45] Date of Patent: ****Jan. 16, 1996**

[54] **LAWN MOWER BAG**

5,125,222 6/1992 Speier 56/202
5,179,824 1/1993 Ridge et al. 56/320.2

[75] Inventor: **Philip C. Eberlin**, Chicago Heights, Ill.

Primary Examiner—Sandra Morris

[73] Assignee: **Woodwork Restoration, Inc.**, Chicago Heights, Ill.

Attorney, Agent, or Firm—Trexler, Bushnell, Giangiorgi & Blackstone, Ltd.

[**] Term: **14 Years**

[57] CLAIM

[21] Appl. No.: **17,207**

The ornamental design for a lawn mower bag, as shown and described.

[22] Filed: **Jan. 7, 1994**

DESCRIPTION

[52] U.S. Cl. **D15/17**

[58] Field of Search D15/14-17; 56/13.4,
56/16.6, 16.7, 202, 320.1, 320.2

FIG. 1 is a perspective view of a lawn mower bag, showing my new design in use, the broken line showing of the handle is for illustrative purposes only, and forms no part of the claimed design;

FIG. 2 is a top plan view thereof;

FIG. 3 is a bottom view thereof;

FIG. 4 is a front view thereof;

FIG. 5 is a rear view thereof; and,

FIG. 6 is a side view thereof, the other side being identical.

[56] References Cited

U.S. PATENT DOCUMENTS

3,492,800	2/1970	Peterson et al.	56/202
3,797,214	3/1974	Erdman et al.	56/202
3,952,484	4/1976	Van Swearingen	56/320.2
4,791,779	12/1988	Hoffman	56/16.6
4,846,588	7/1989	Allen et al.	56/202

1 Claim, 2 Drawing Sheets

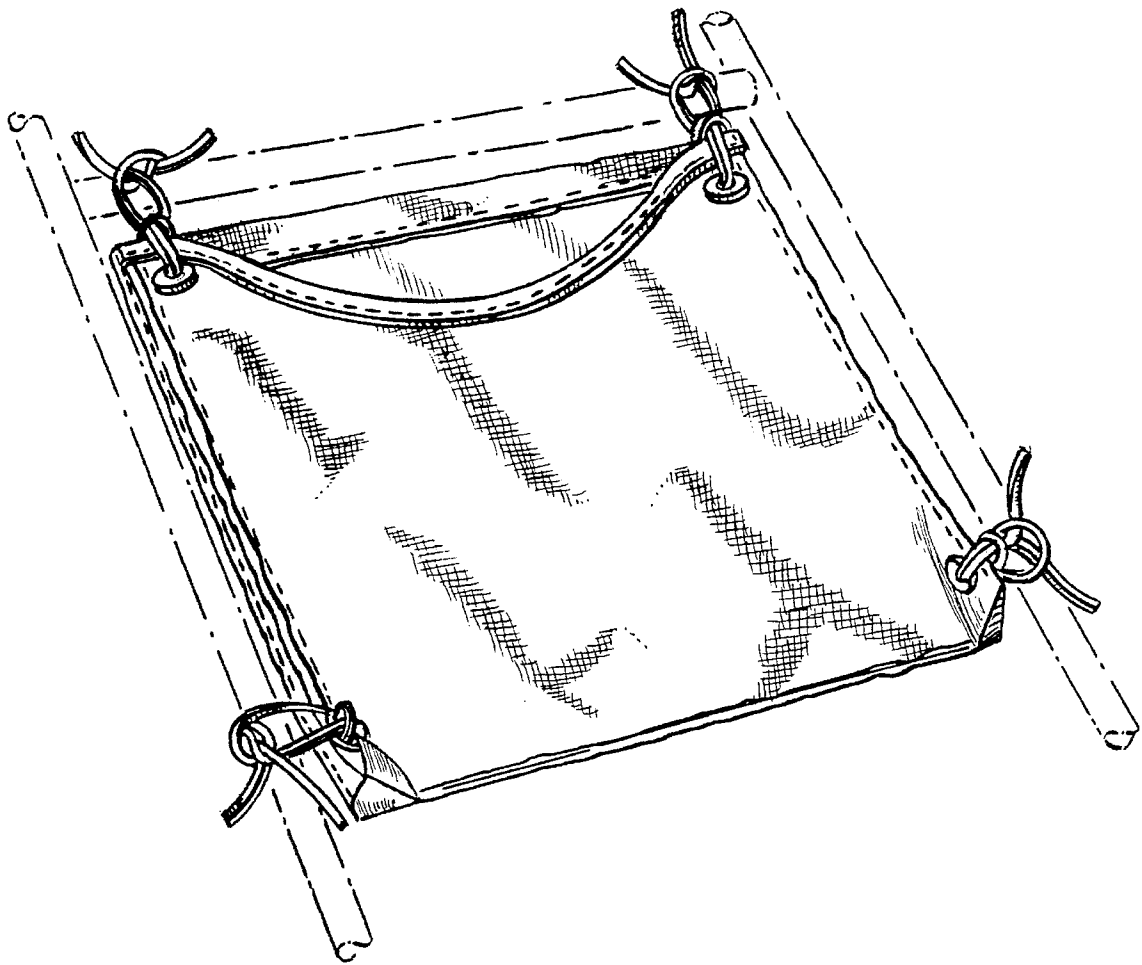


FIG. 1

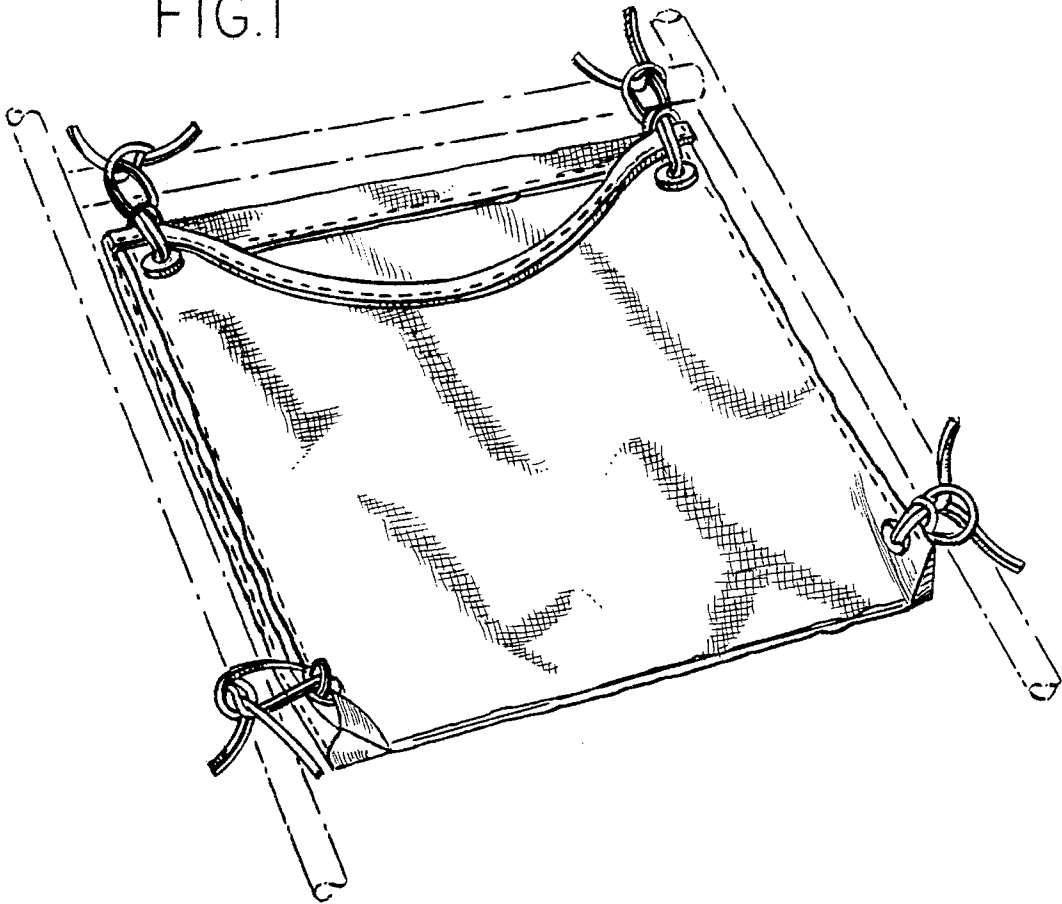
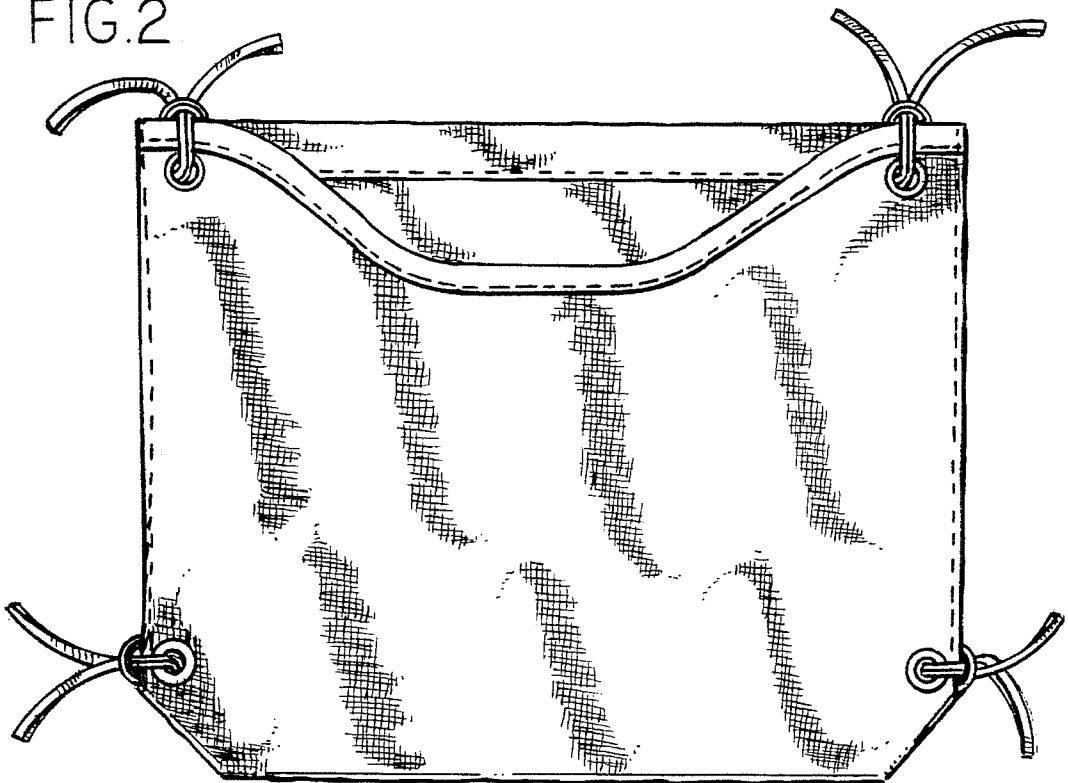


FIG. 2



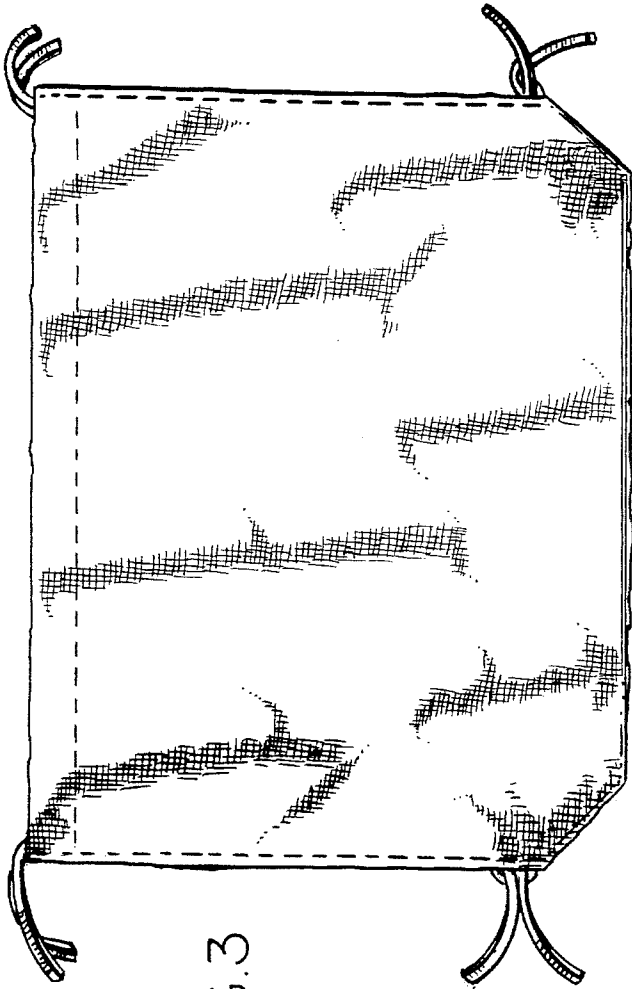


FIG. 3

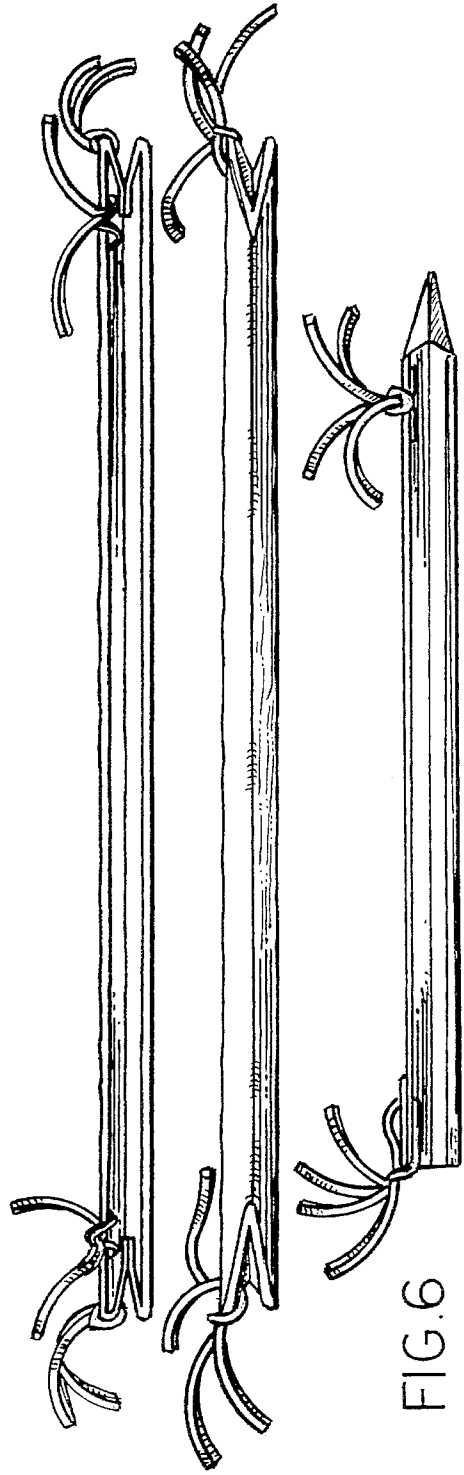


FIG. 4

FIG. 5

FIG. 6