



(12) **United States Design Patent**
Xiong

(10) **Patent No.:** **US D1,056,869 S**
(45) **Date of Patent:** **** Jan. 7, 2025**

(54) **AUDIO INTERFACE**

(56) **References Cited**

(71) Applicant: **FUJIAN EASTWEST LIFEWIT TECHNOLOGY CO., LTD**, Fuzhou (CN)

U.S. PATENT DOCUMENTS

(72) Inventor: **Wenhui Xiong**, Fuzhou (CN)

D259,565 S *	6/1981	Watanabe	D14/197
D271,694 S *	12/1983	Nomura	D14/197
D444,778 S *	7/2001	Ito	D14/188
D906,277 S *	12/2020	Viktorovych	D14/188
D974,332 S *	1/2023	Wakuda	D14/217
D976,226 S *	1/2023	He	D14/197
D988,309 S *	6/2023	Kunishi	D13/184
D1,007,457 S *	12/2023	Taanila	D14/188
D1,012,195 S *	1/2024	Zhang	D21/468
D1,026,848 S *	5/2024	Jenkins	D14/188
D1,026,860 S *	5/2024	Kuramoto	D14/217

(73) Assignee: **FUJIAN EASTWEST LIFEWIT TECHNOLOGY CO., LTD**, Fuzhou (CN)

(**) Term: **15 Years**

* cited by examiner

(21) Appl. No.: **29/879,810**

Primary Examiner — Khawaja Anwar
Assistant Examiner — Megan Tiana Rakos

(22) Filed: **Jul. 13, 2023**

(30) **Foreign Application Priority Data**

(57) **CLAIM**

Jun. 15, 2023 (CN) 202330368405.0

The ornamental design for an audio interface as shown and described.

(51) **LOC (15) Cl.** **14-03**

DESCRIPTION

(52) **U.S. Cl.** **D14/188**

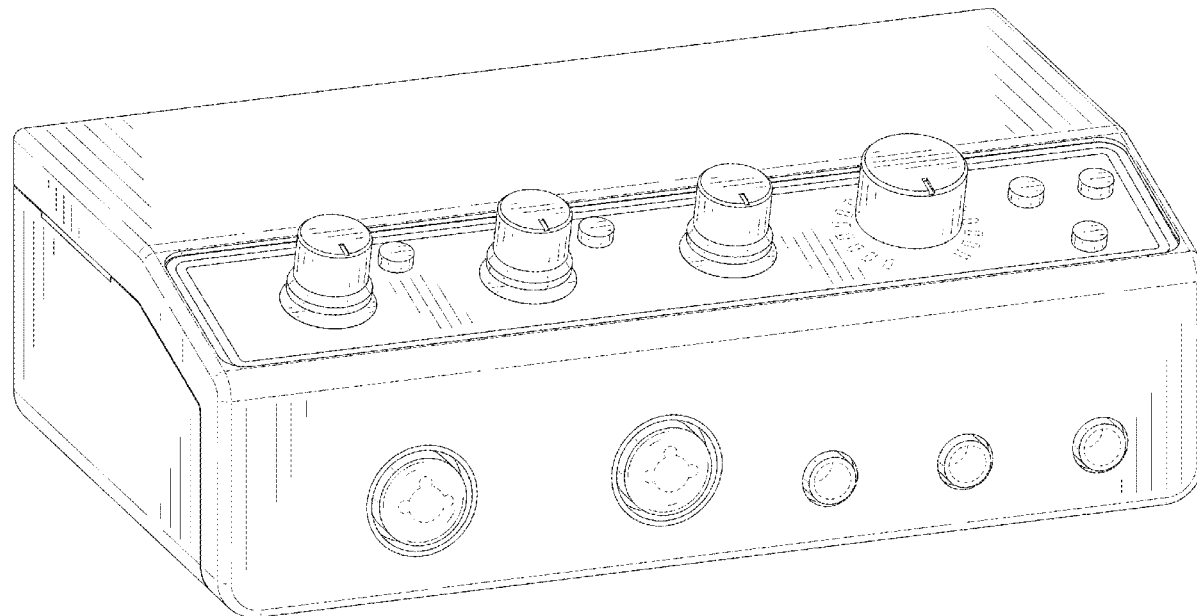
USPC **D14/188**

(58) **Field of Classification Search**

USPC D14/155, 170–172, 167, 168, 175, 188, D14/194–198, 204, 209.1, 210–216, 219, D14/221, 222, 496
CPC . H04R 1/02; H04R 1/06; H04R 1/021; H04R 1/025; H04R 1/026; H04R 1/028; H04R 1/105; H04R 1/323; H04R 1/403; H04R 1/345; H04R 1/2834; H04R 1/2888; H04R 1/2803; H04R 1/288; H04R 1/2819; H04M 1/03; H04M 1/035; B60R 11/0217; G06F 1/1688

See application file for complete search history.

1 Claim, 8 Drawing Sheets



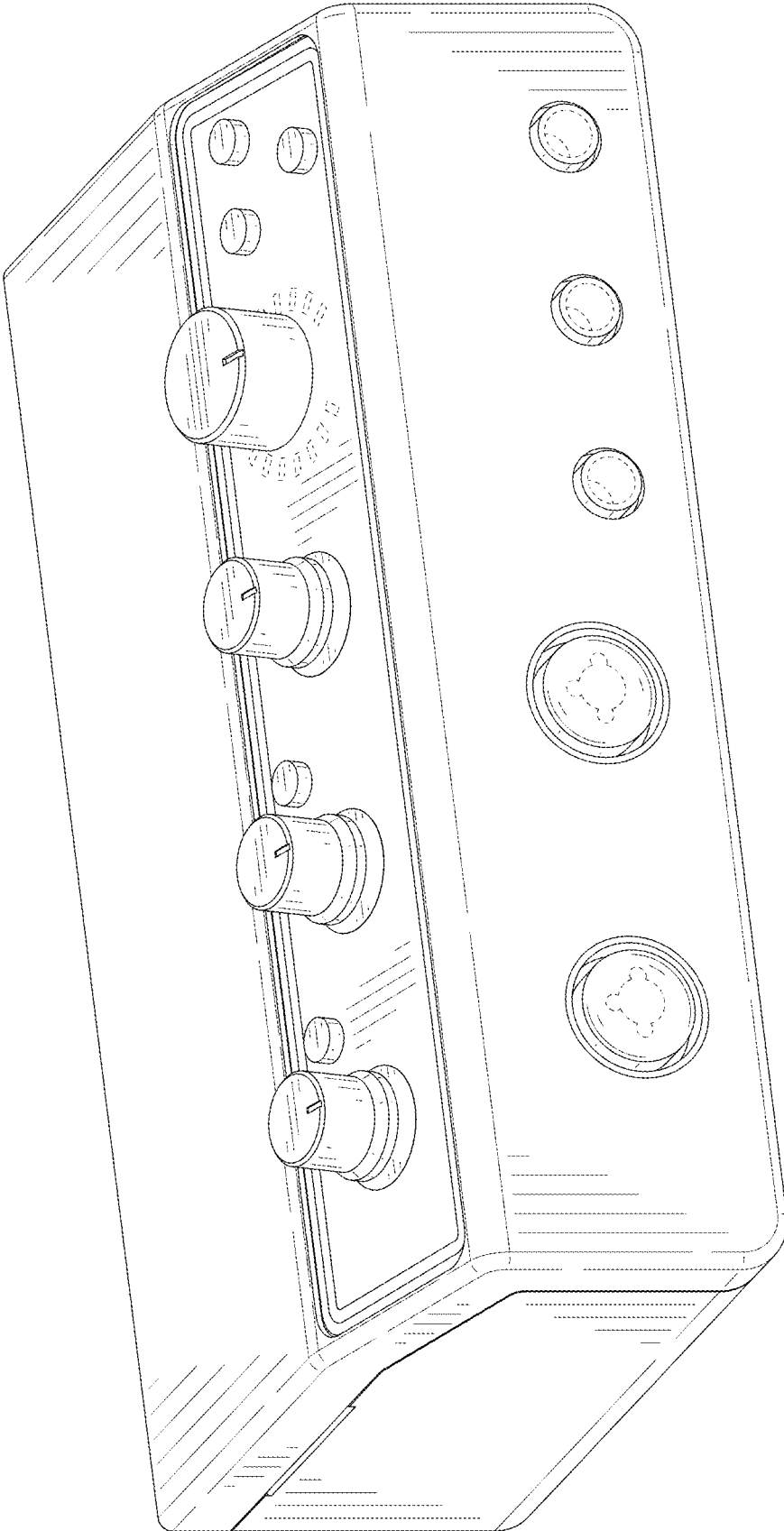


FIG. 1

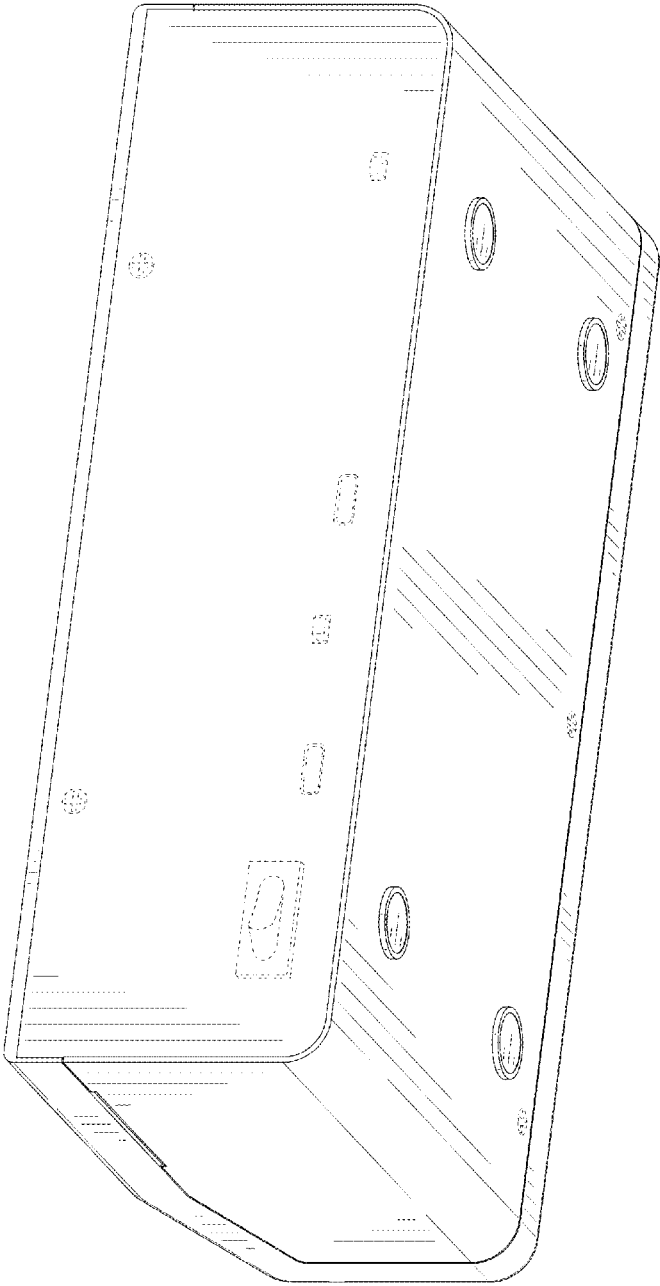


FIG. 2

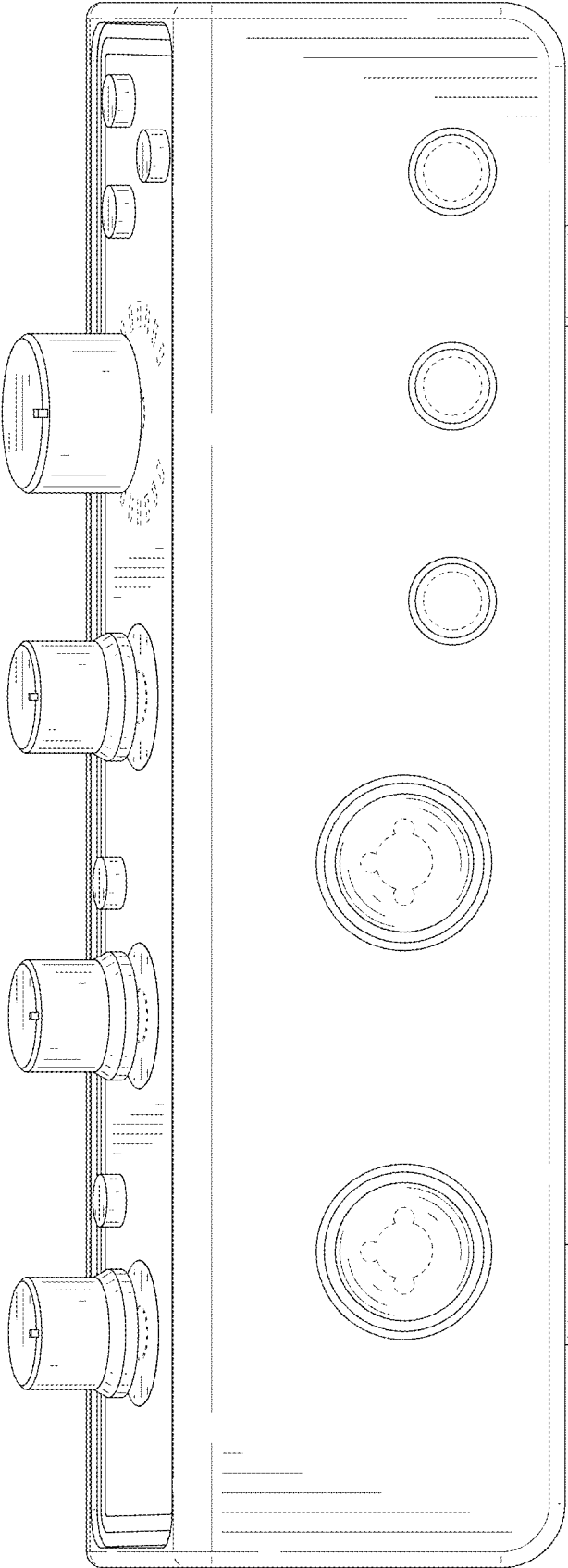


FIG. 3

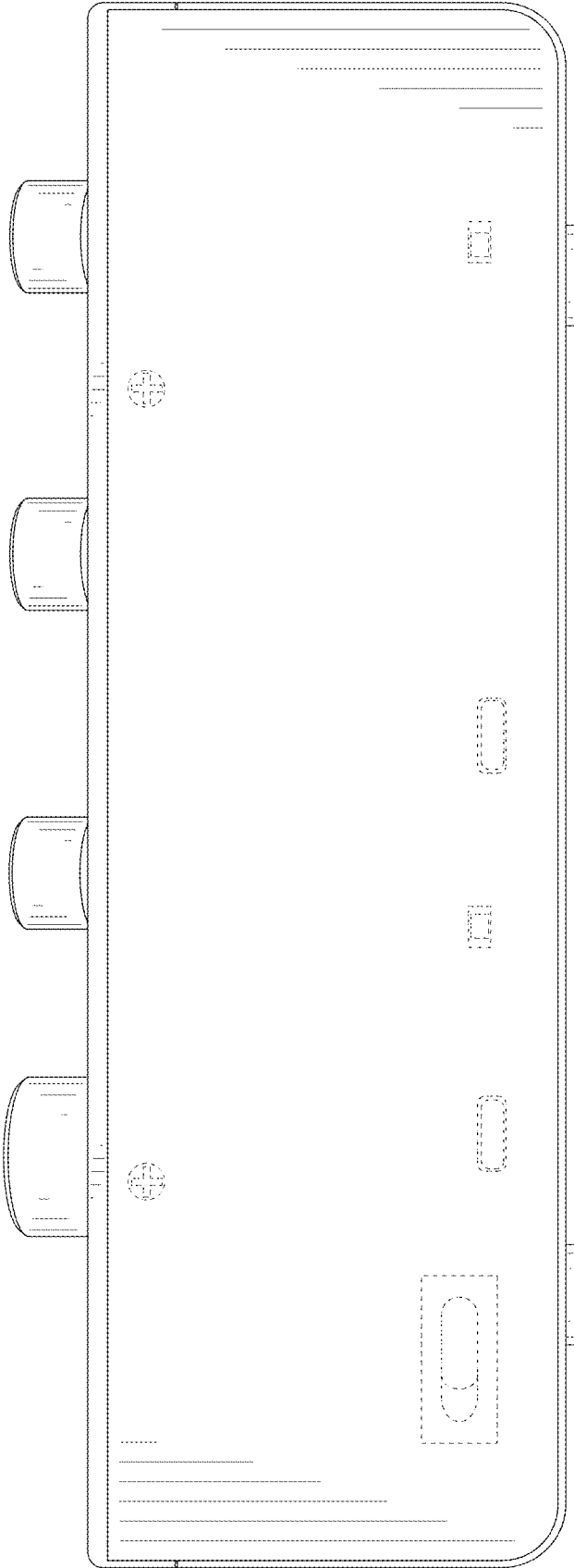


FIG. 4

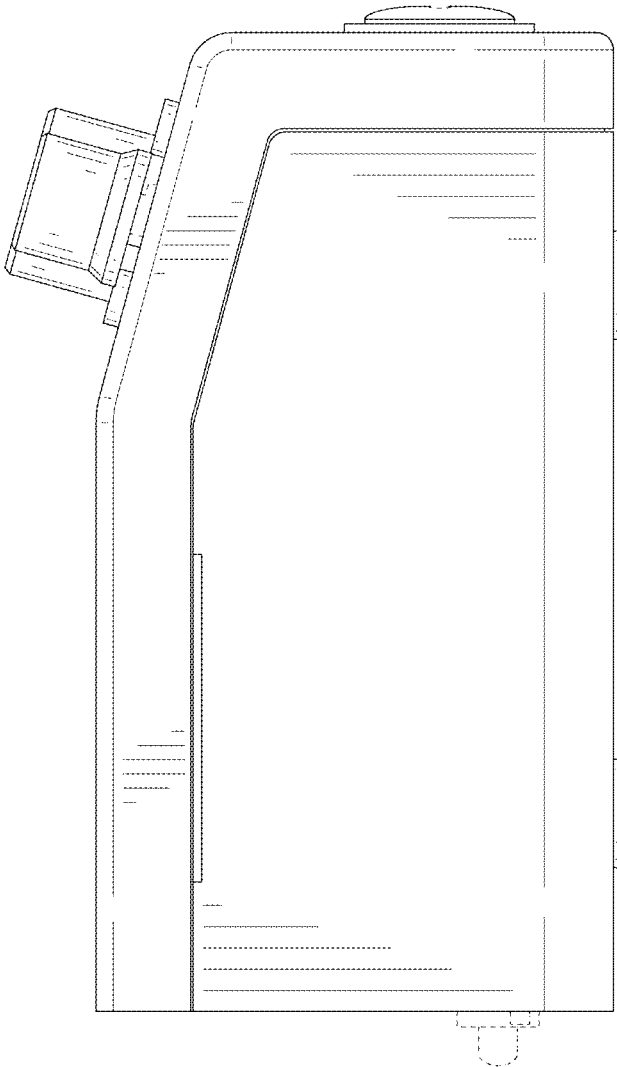


FIG. 5

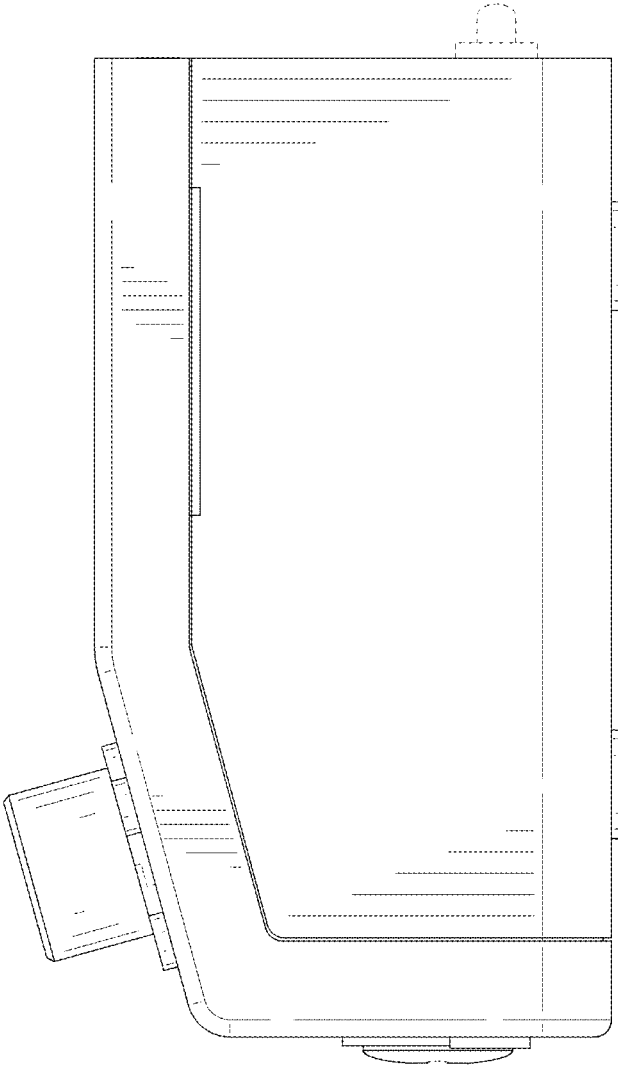


FIG. 6

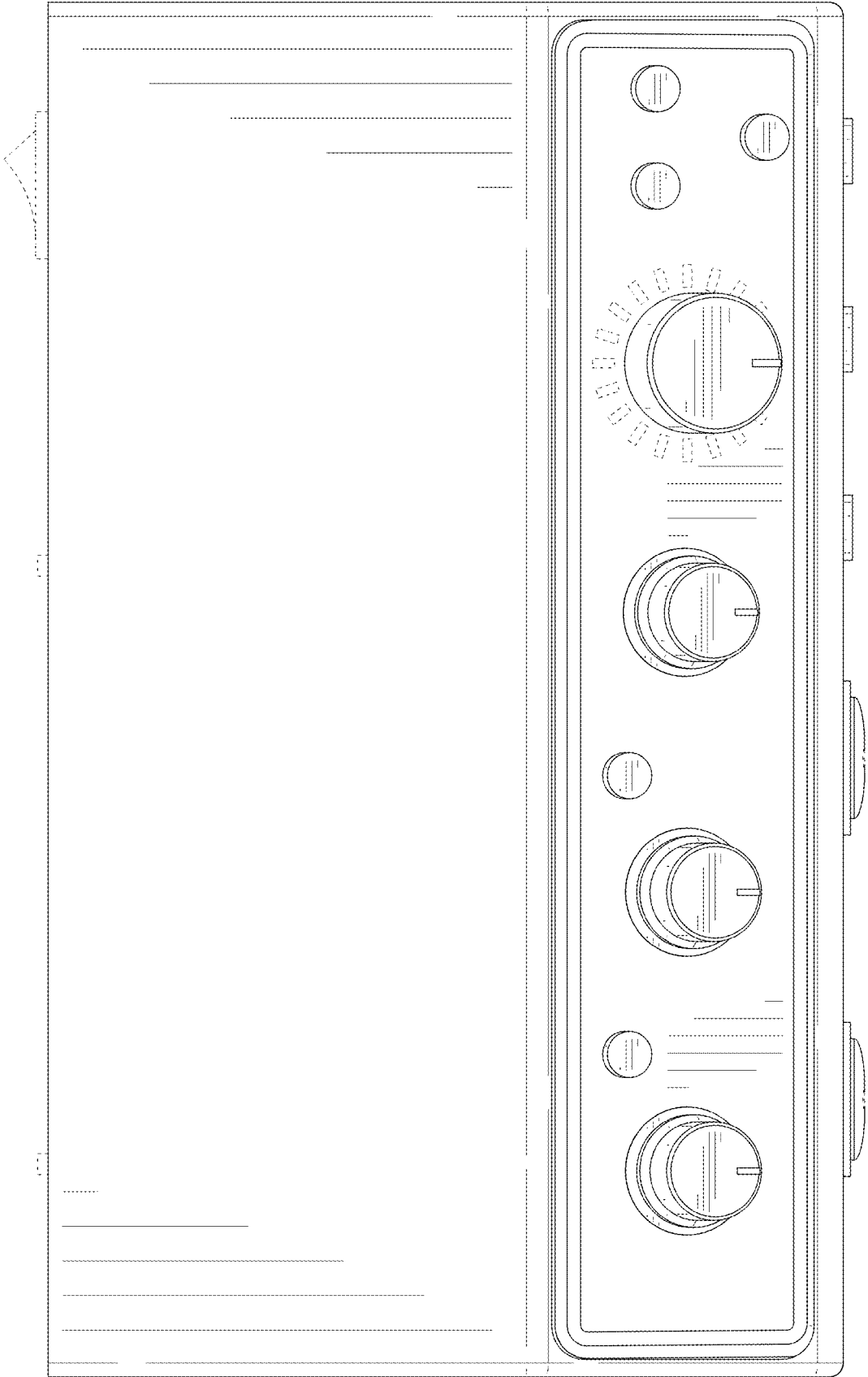


FIG. 7

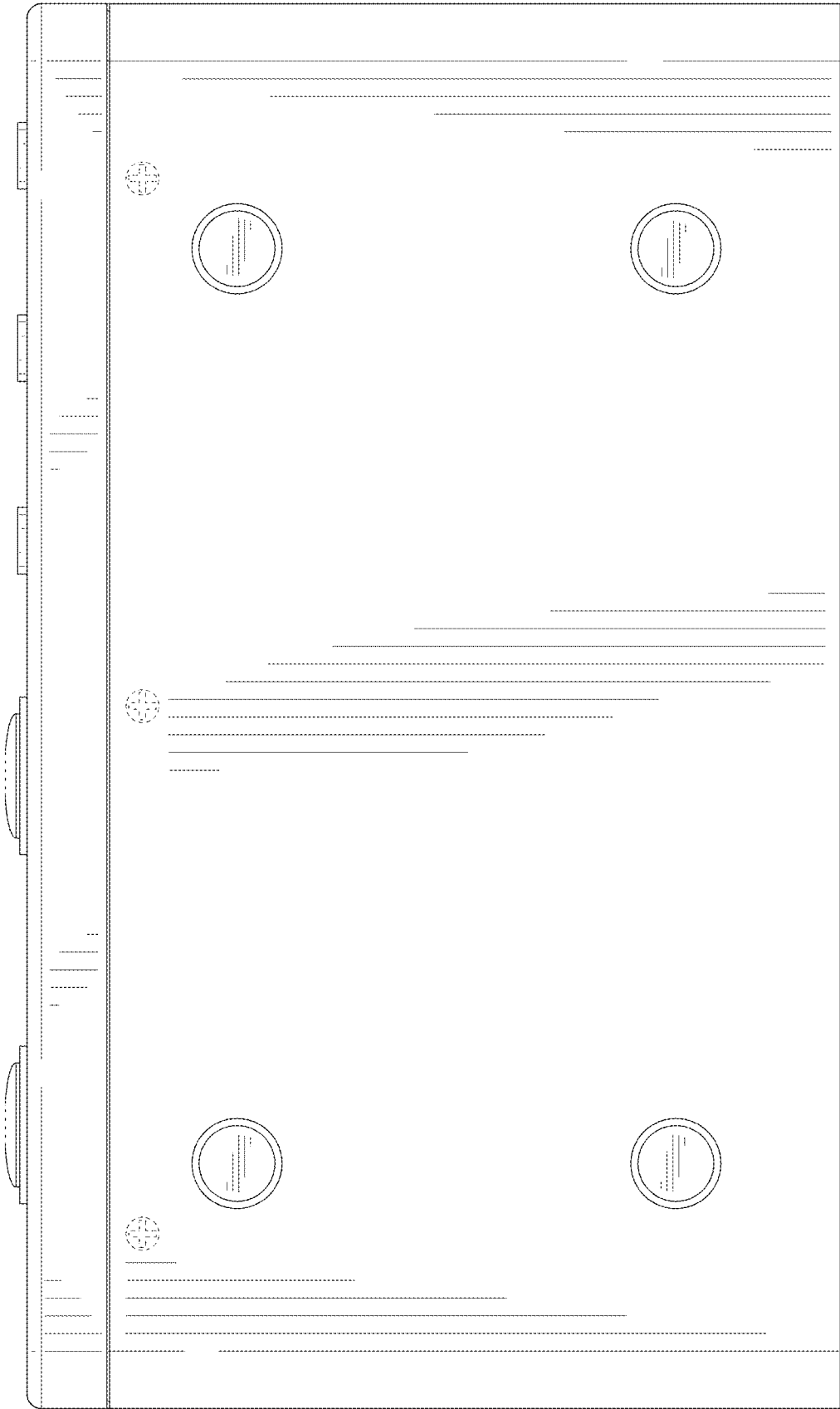


FIG. 8