

(19) World Intellectual Property Organization
International Bureau



(43) International Publication Date
17 December 2009 (17.12.2009)

PCT

(10) International Publication Number
WO 2009/152198 A3

- (51) International Patent Classification:
H01J 49/40 (2006.01) H01J 49/00 (2006.01)
- (21) International Application Number:
PCT/US2009/046820
- (22) International Filing Date:
10 June 2009 (10.06.2009)
- (25) Filing Language: English
- (26) Publication Language: English
- (30) Priority Data:
61/129,246 13 June 2008 (13.06.2008) US
- (71) Applicant (for all designated States except US):
SMITHS DETECTION-TORONTO LTD. [CA/CA];
7030 Century Avenue, Mississauga, ON L5N 2V8 (CA).
- (72) Inventors; and
(75) Inventors/Applicants (for US only): JAMES, Robert, T.
[CA/CA]; C/o Smiths Detection-Toronto LTD., 7030
Century Avenue, Mississauga, ON L5N 2V8 (CA). BON-
DARENKO, Volodmir [CA/CA]; C/o Smiths Detection-
Toronto LTD., 7030 Century Avenue, Mississauga, ON
L5N 2V8 (CA). DEBONO, Reno [CA/CA]; C/o Smiths
Detection-Toronto LTD., 7030 Century Avenue, Missis-
sauga, ON L5N 2V8 (CA). BURTON, Julian [CA/CA];
C/o Smiths Detection-Toronto LTD., 7030 Century Av-
enue, Mississauga, ON L5N 2V8 (CA). CARROLL,
John [US/US]; C/o Smiths Detection-Toronto LTD.,
7030 Century Avenue, Mississauga, ON L5N 2V8 (US).
- (74) Agents: KAMINSKI, Michael, D. et al.; Foley & Lard-
ner LLP, 3000 K Street, NW, Suite 600, Washington, DC
20007 (US).

- (81) Designated States (unless otherwise indicated, for every kind of national protection available): AE, AG, AL, AM, AO, AT, AU, AZ, BA, BB, BG, BH, BR, BW, BY, BZ, CA, CH, CL, CN, CO, CR, CU, CZ, DE, DK, DM, DO, DZ, EC, EE, EG, ES, FI, GB, GD, GE, GH, GM, GT, HN, HR, HU, ID, IL, IN, IS, JP, KE, KG, KM, KN, KP, KR, KZ, LA, LC, LK, LR, LS, LT, LU, LY, MA, MD, ME, MG, MK, MN, MW, MX, MY, MZ, NA, NG, NI, NO, NZ, OM, PE, PG, PH, PL, PT, RO, RS, RU, SC, SD, SE, SG, SK, SL, SM, ST, SV, SY, TJ, TM, TN, TR, TT, TZ, UA, UG, US, UZ, VC, VN, ZA, ZM, ZW.
- (84) Designated States (unless otherwise indicated, for every kind of regional protection available): ARIPO (BW, GH, GM, KE, LS, MW, MZ, NA, SD, SL, SZ, TZ, UG, ZM, ZW), Eurasian (AM, AZ, BY, KG, KZ, MD, RU, TJ, TM), European (AT, BE, BG, CH, CY, CZ, DE, DK, EE, ES, FI, FR, GB, GR, HR, HU, IE, IS, IT, LT, LU, LV, MC, MK, MT, NL, NO, PL, PT, RO, SE, SI, SK, TR), OAPI (BF, BJ, CF, CG, CI, CM, GA, GN, GQ, GW, ML, MR, NE, SN, TD, TG).

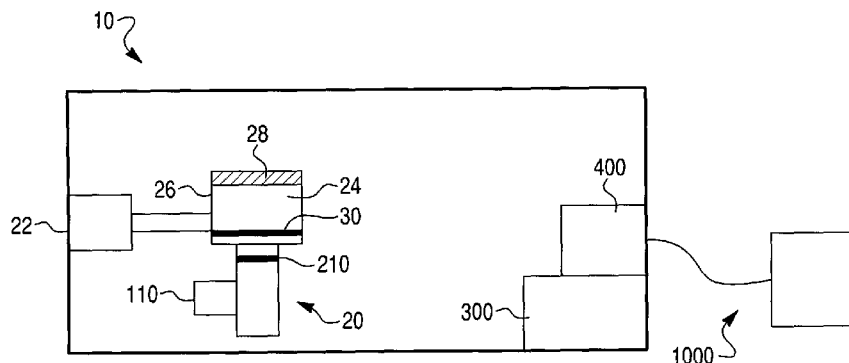
Published:

- with international search report (Art. 21(3))
- before the expiration of the time limit for amending the claims and to be republished in the event of receipt of amendments (Rule 48.2(h))

- (88) Date of publication of the international search report:
15 July 2010

(54) Title: ANALYTICAL INSTRUMENT

Fig. 1



(57) Abstract: An ion mobility spectrometer analytical instrument, including an ion mobility spectrometer, a swab interface, and a desorber assembly. The desorber assembly includes a heat transfer device configured to heat a desorber, as well as a supply configured to direct gas through the desorber. The instrument further includes a drift tube, high voltage device arrayed, at least in part, proximate to the drift tube, wherein the high voltage device is configured to change a polarity of a voltage applied to the drift tube and have an absolute voltage of about 500 to 1500 volts. The instrument further includes a reactant supply unit adapted to supply reactant during a sample substance analysis, and a control unit.



WO 2009/152198 A3

INTERNATIONAL SEARCH REPORT

International application No

PCT/US2009/046820

A. CLASSIFICATION OF SUBJECT MATTER
 INV. H01J49/40 H01J49/00
 ADD.

According to International Patent Classification (IPC) or to both national classification and IPC

B. FIELDS SEARCHED

Minimum documentation searched (classification system followed by classification symbols)
 H01J

Documentation searched other than minimum documentation to the extent that such documents are included in the fields searched

Electronic data base consulted during the international search (name of data base and, where practical, search terms used)

EPO-Internal

C. DOCUMENTS CONSIDERED TO BE RELEVANT

Category*	Citation of document, with indication, where appropriate, of the relevant passages	Relevant to claim No.
X	WO 2008/035138 A2 (SMITHS DETECTION INC [CA]; GABOWICZ TED [CA]; RIDJOSIC DRAGOLJUB [CA];) 27 March 2008 (2008-03-27) figure 17 paragraphs [0006], [0036] paragraph [0077] - paragraph [0086]	1-22
X	WO 2007/079234 A2 (EXCELLIMS CORP [US]; WU CHING [US]) 12 July 2007 (2007-07-12) figure 11 paragraph [0102] - paragraph [0121]	1-22
X	WO 2006/061593 A2 (MICROMASS LTD [GB]; BATEMAN ROBERT HAROLD [GB]; GILES KEVIN [GB]) 15 June 2006 (2006-06-15) the whole document	1-22



Further documents are listed in the continuation of Box C.



See patent family annex.

* Special categories of cited documents :

- *A* document defining the general state of the art which is not considered to be of particular relevance
- *E* earlier document but published on or after the international filing date
- *L* document which may throw doubts on priority claim(s) or which is cited to establish the publication date of another citation or other special reason (as specified)
- *O* document referring to an oral disclosure, use, exhibition or other means
- *P* document published prior to the international filing date but later than the priority date claimed

- *T* later document published after the international filing date or priority date and not in conflict with the application but cited to understand the principle or theory underlying the invention
- *X* document of particular relevance; the claimed invention cannot be considered novel or cannot be considered to involve an inventive step when the document is taken alone
- *Y* document of particular relevance; the claimed invention cannot be considered to involve an inventive step when the document is combined with one or more other such documents, such combination being obvious to a person skilled in the art.
- *&* document member of the same patent family

Date of the actual completion of the international search

25 May 2010

Date of mailing of the international search report

04/06/2010

Name and mailing address of the ISA/

European Patent Office, P.B. 5818 Patentlaan 2
 NL - 2280 HV Rijswijk
 Tel. (+31-70) 340-2040,
 Fax: (+31-70) 340-3016

Authorized officer

Cornelussen, Ronald

INTERNATIONAL SEARCH REPORT

Information on patent family members

International application No

PCT/US2009/046820

Patent document cited in search report	Publication date	Patent family member(s)	Publication date
WO 2008035138 A2	27-03-2008	AU 2006348555 A1	27-03-2008
		CA 2633557 A1	27-03-2008
		CN 101427140 A	06-05-2009
		EP 1960794 A2	27-08-2008
		JP 2009519462 T	14-05-2009
		US 2008101995 A1	01-05-2008
WO 2007079234 A2	12-07-2007	CA 2635781 A1	12-07-2007
		CN 101427130 A	06-05-2009
		EP 1974206 A2	01-10-2008
		JP 2009522552 T	11-06-2009
		US 2009278040 A1	12-11-2009
		US 2008073503 A1	27-03-2008
WO 2006061593 A2	15-06-2006	CA 2587742 A1	15-06-2006
		EP 1820202 A2	22-08-2007
		EP 1884980 A1	06-02-2008
		GB 2421843 A	05-07-2006
		GB 2432043 A	09-05-2007
		JP 2008523553 T	03-07-2008
		US 2010108878 A1	06-05-2010