

(19) World Intellectual Property Organization
International Bureau



(43) International Publication Date
17 October 2002 (17.10.2002)

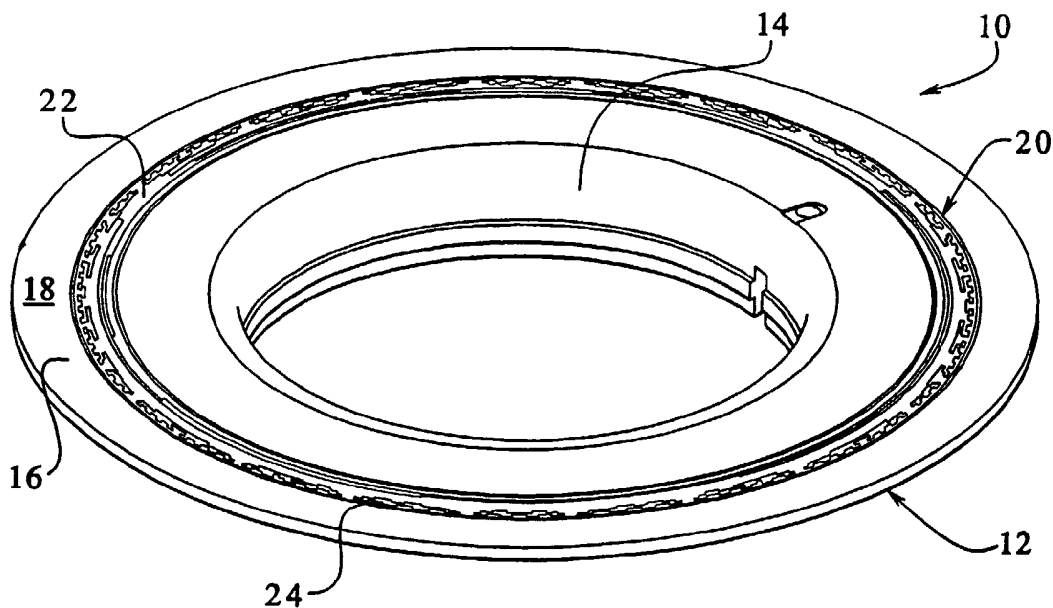
PCT

(10) International Publication Number
WO 02/082012 A3

- (51) International Patent Classification⁷: G01B 11/26
- (21) International Application Number: PCT/US02/10662
- (22) International Filing Date: 5 April 2002 (05.04.2002)
- (25) Filing Language: English
- (26) Publication Language: English
- (30) Priority Data: 09/827,217 5 April 2001 (05.04.2001) US
- (71) Applicant: METHODE ELECTRONICS, INC. [US/US]; 7444 West Wilson Avenue, Chicago, IL 60706 (US).
- (72) Inventor: HOSKINS, Steven, R.; 1986 Greenmeadow, Walled Lake, MI 48390 (US).
- (74) Agent: WOLFE, JR., Charles, R.; Blank Rome Comisky & McCauley LLP, 900 17th Street, NW, Suite 1000, Washington, DC 20006 (US).
- (81) Designated State (national): JP.
- (84) Designated States (regional): European patent (AT, BE, CH, CY, DE, DK, ES, FI, FR, GB, GR, IE, IT, LU, MC, NL, PT, SE, TR).
- Published:
 - with international search report
 - before the expiration of the time limit for amending the claims and to be republished in the event of receipt of amendments
- (88) Date of publication of the international search report: 21 November 2002

For two-letter codes and other abbreviations, refer to the "Guidance Notes on Codes and Abbreviations" appearing at the beginning of each regular issue of the PCT Gazette.

(54) Title: MULTI-BIT OPTICAL SENSOR CODE WHEEL



(57) Abstract: A rotary position sensor that contains multiple bits of positional data is provided. The rotary position sensor (10) includes an overmold (12) and an applique (20) that is applied to the overmold (12). The applique (20) includes a clear film (22) upon which the multiple bits of positional data can be screen printed. The rotary position sensor can be utilized in a variety of different applications to determine a position being sensed, such as, those applications relating to determining the position of an automotive steering wheel during operation.



WO 02/082012 A3

INTERNATIONAL SEARCH REPORT

International application No.

PCT/US02/10662

A. CLASSIFICATION OF SUBJECT MATTER

IPC(7) :G01B 11/26

US CL :33/1PT, 600, 707

According to International Patent Classification (IPC) or to both national classification and IPC

B. FIELDS SEARCHED

Minimum documentation searched (classification system followed by classification symbols)

U.S. : 33/1N, 1PT, 534, 563, 600, 613, 645, 707

Documentation searched other than minimum documentation to the extent that such documents are included in the fields searched
NONE

Electronic data base consulted during the international search (name of data base and, where practicable, search terms used)

NONE

C. DOCUMENTS CONSIDERED TO BE RELEVANT

Category*	Citation of document, with indication, where appropriate, of the relevant passages	Relevant to claim No.
A	US 4,414,754 A (LAPEYRE) 15 November 1983 (15.11.1983), see entire document.	1-25
A	US 5,218,769 A (FRANCON) 15 June 1993 (15.06.1993), see entire document.	1-25
A,P	US 6,237,243 B1 (COOK) 29 May 2001 (29.05.2001), see entire document.	1-25
A,P	US 6,272,912 B1 (SANO) 14 August 2001 (14.08.2001), see entire document.	1-25
A,P	US 6,311,401 B1 (NECKEL et al) 06 November 2001 (06.11.2001), see entire document.	1-25



Further documents are listed in the continuation of Box C.



See patent family annex.

*	Special categories of cited documents:	"T"	later document published after the international filing date or priority date and not in conflict with the application but cited to understand the principle or theory underlying the invention
"A"	document defining the general state of the art which is not considered to be of particular relevance	"X"	document of particular relevance; the claimed invention cannot be considered novel or cannot be considered to involve an inventive step when the document is taken alone
"E"	earlier document published on or after the international filing date	"Y"	document of particular relevance; the claimed invention cannot be considered to involve an inventive step when the document is combined with one or more other such documents, such combination being obvious to a person skilled in the art
"L"	document which may throw doubts on priority claim(s) or which is cited to establish the publication date of another citation or other special reason (as specified)	"&"	document member of the same patent family
"O"	document referring to an oral disclosure, use, exhibition or other means		
"P"	document published prior to the international filing date but later than the priority date claimed		

Date of the actual completion of the international search

05 JULY 2002

Date of mailing of the international search report

23 SEP 2002

Name and mailing address of the ISA/US
Commissioner of Patents and Trademarks
Box PCT
Washington, D.C. 20231

Facsimile No. (703) 305-3230

Authorized officer

G. BRADLEY BENNETT

Telephone No. (703) 308-1284

Gene Parker