



(12) **United States Design Patent**
Feng

(10) **Patent No.:** **US D1,036,628 S**
(45) **Date of Patent:** **** Jul. 23, 2024**

(54) **FAUCET SPOUT**

(71) Applicant: **Wenzhou Guolong Sanitary Ware Co., Ltd.**, Zhejiang (CN)

(72) Inventor: **Yadong Feng**, Anhui (CN)

(73) Assignee: **Wenzhou Guolong Sanitary Ware Co., Ltd.**, Zhejiang (CN)

(**) Term: **15 Years**

(21) Appl. No.: **29/939,193**

(22) Filed: **Apr. 25, 2024**

(51) **LOC (14) Cl.** **23-01**

(52) **U.S. Cl.**
USPC **D23/255**

(58) **Field of Classification Search**
USPC D23/238, 242–243, 249, 252, 255, 257
CPC E03C 1/0404; E03C 1/0407; E03C 1/04;
E03C 2001/026

See application file for complete search history.

Model:3597LF-CZMPU-LHPhttps://www.build.com/product/summary/776565?uid=2003620&jmtest=gg-gbav2_2003620&inv2=1&&source=gg-gba-pla_2003620!c1704086357!a66021778985!dc!ng&gad_source=1&gclid=EAlalQobChMI2fmfha6fhgMVaWRHAR3_HMgEsEAQYCiABEGKRPID_BwE&gclidsrc=aw.ds (Year: 2016).*
Moen Belfield Deck Mounted Roman Tub Filler Trim with Metal Lever Handles Model: T9023BN. https://www.build.com/search?term=t9023bn (Year: 2021).*

* cited by examiner

Primary Examiner — Robert A Delehanty
(74) *Attorney, Agent, or Firm* — Kunzler Bean & Adamson, PC; Michael Bartholomew

(57) **CLAIM**

The ornamental design for a faucet spout, as shown and described.

(56) **References Cited**

U.S. PATENT DOCUMENTS

D117,171 S *	10/1939	Fraser	D23/257
D462,418 S *	9/2002	Smith	D23/238
D582,019 S *	12/2008	Yuan	D23/255
D697,590 S	1/2014	Standefer et al.		
D712,521 S *	9/2014	Smith	D23/257
D810,891 S *	2/2018	Garland	D23/257
D834,148 S	11/2018	Thomas		
10,184,232 B2 *	1/2019	Veros	E03C 1/0404
D842,437 S *	3/2019	McKeone	D23/257
D873,968 S *	1/2020	Bahler	D23/255
D914,163 S *	3/2021	Zhu	D23/257

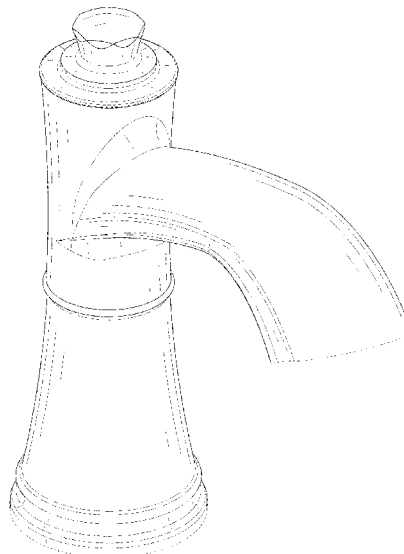
OTHER PUBLICATIONS

Delta Cassidy Widespread Bathroom Faucet with Pop-Up Drain Assembly—Handles Sold Separately—Includes Lifetime Warranty

DESCRIPTION

FIG. 1 is a front, left and top perspective view of a faucet spout, showing my design.
FIG. 2 is a rear, right and bottom perspective view thereof.
FIG. 3 is a front elevation view thereof.
FIG. 4 is a rear elevation view thereof.
FIG. 5 is a left side elevation view thereof.
FIG. 6 is a right side elevation view thereof.
FIG. 7 is a top plan view thereof.
FIG. 8 is a bottom plan view thereof; and,
FIG. 9 is another perspective view of the faucet spout in a usable state.
The dashed broken lines depict portions of the faucet spout that form no part of the claimed design.

1 Claim, 9 Drawing Sheets



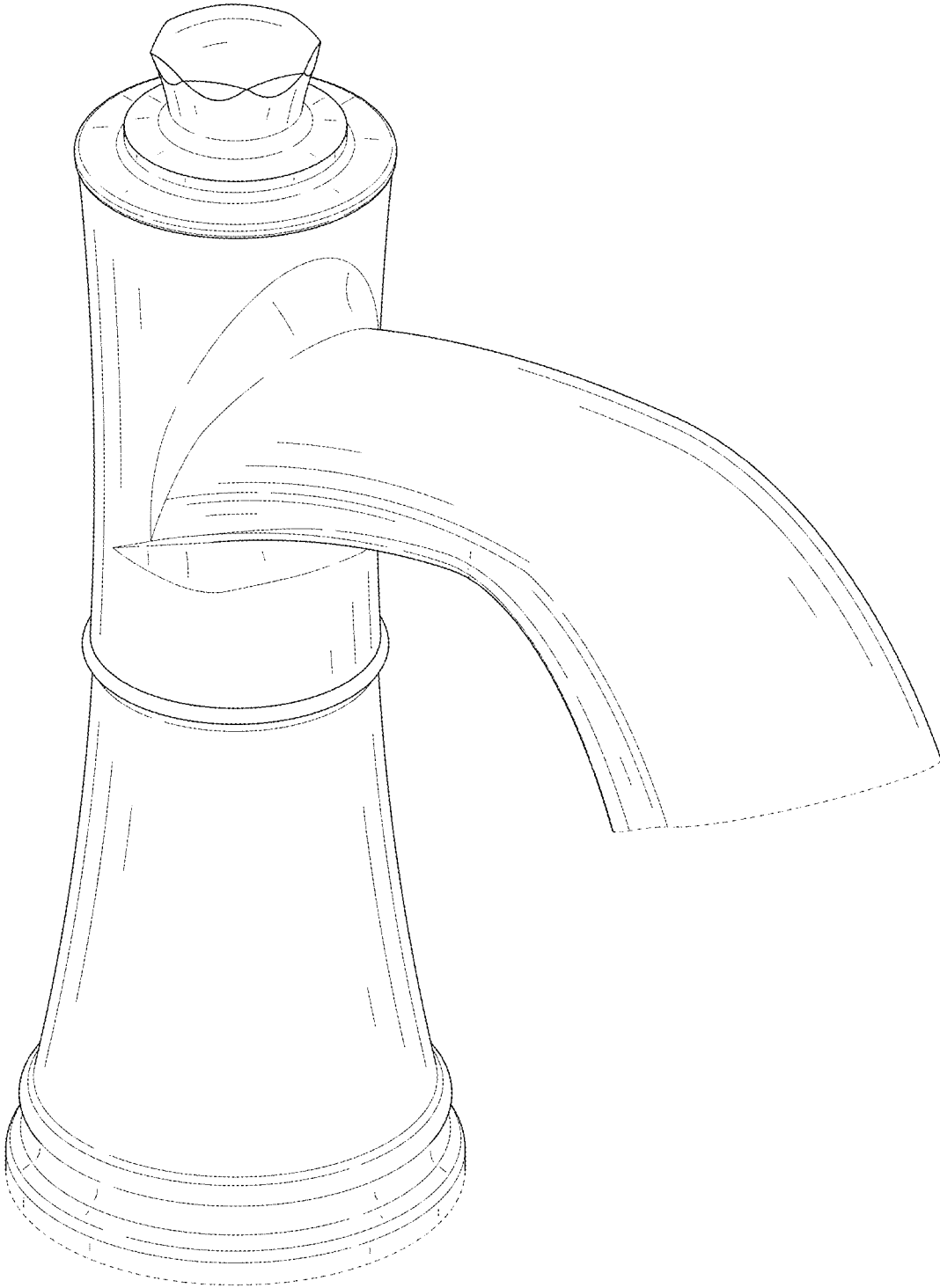


FIG. 1

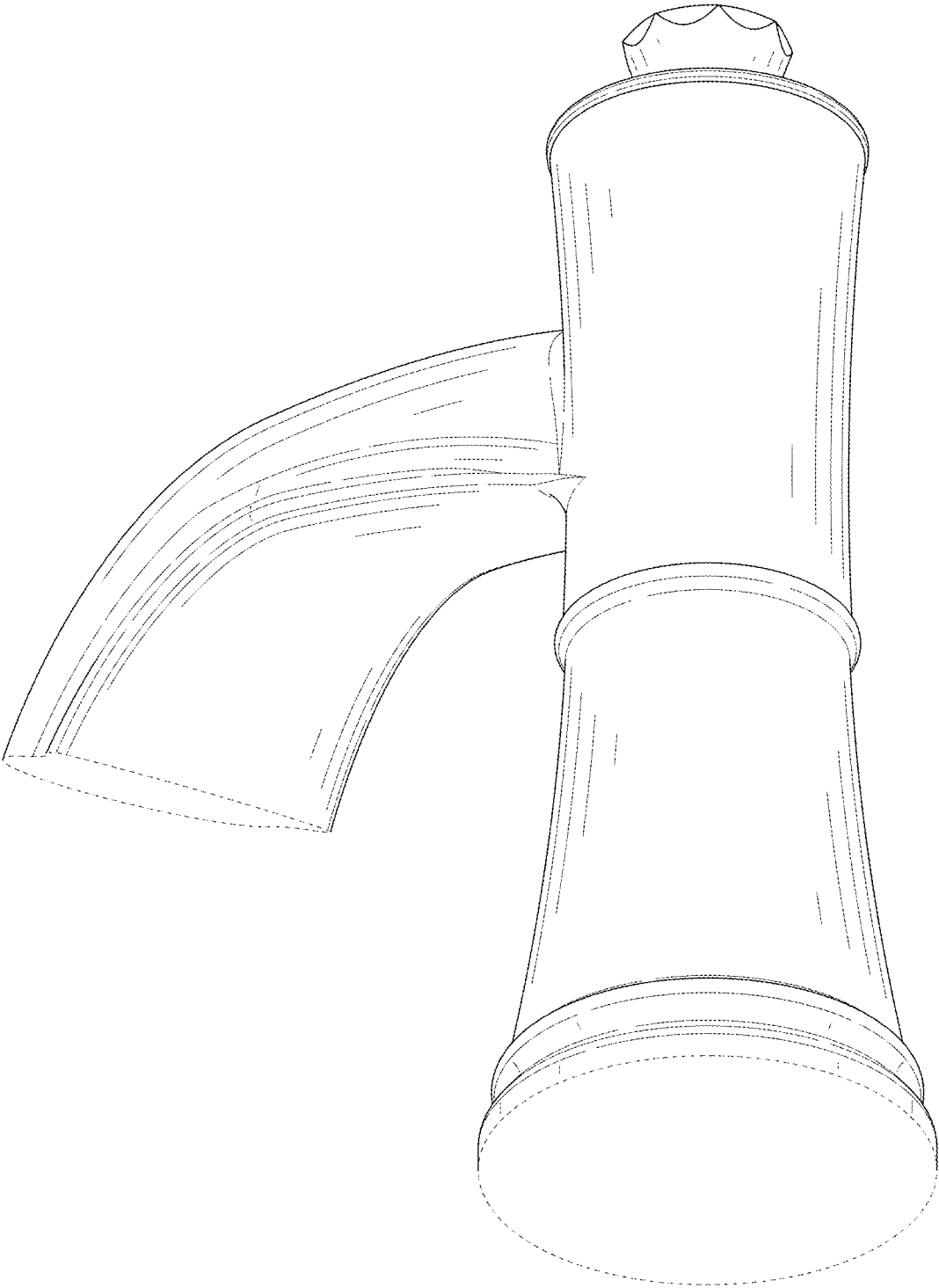


FIG. 2

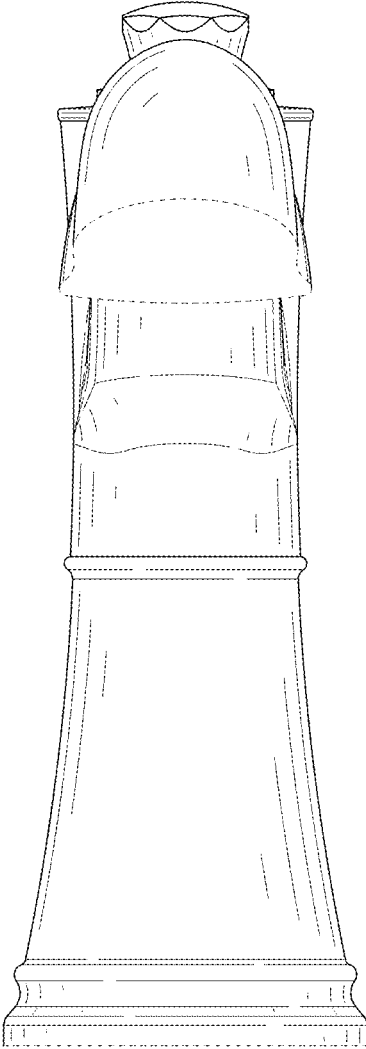


FIG. 3

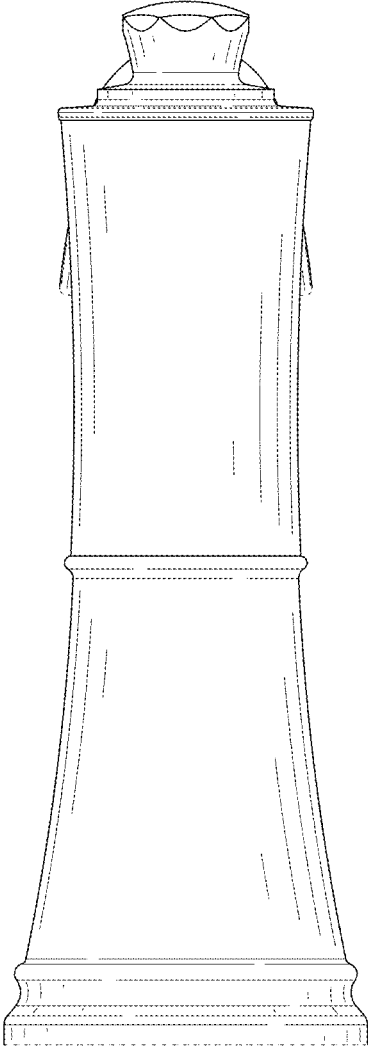


FIG. 4

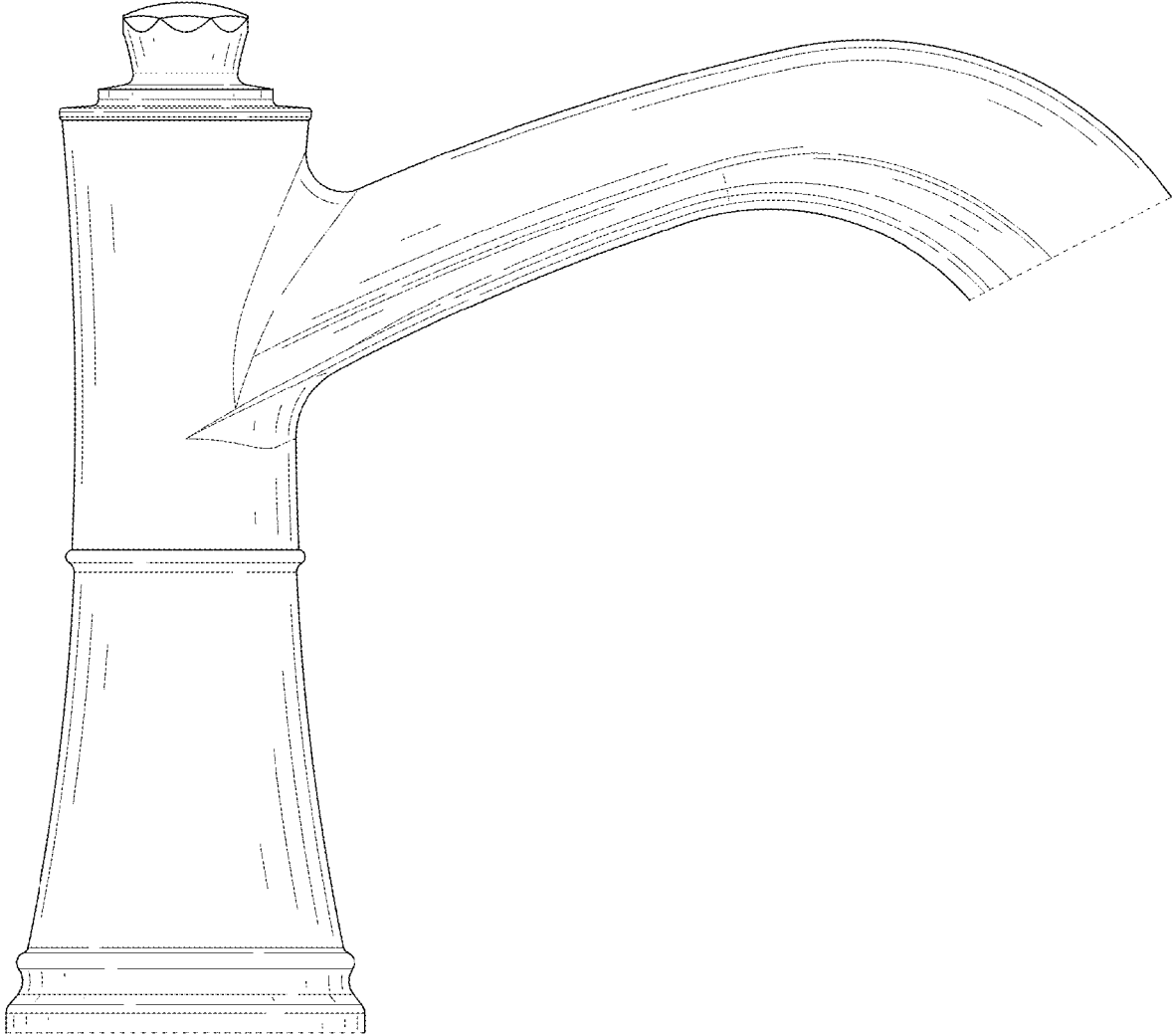


FIG. 5

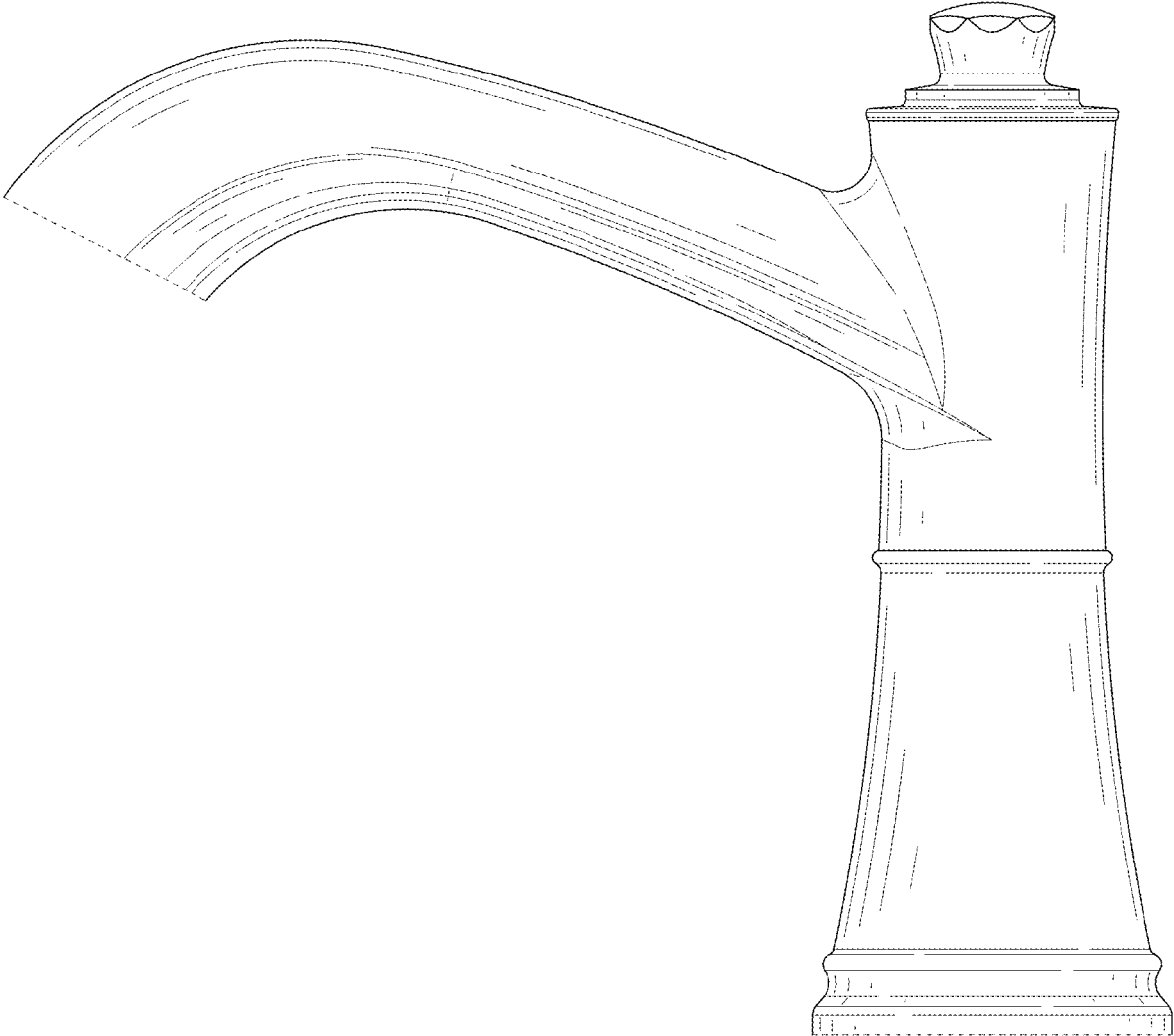


FIG. 6

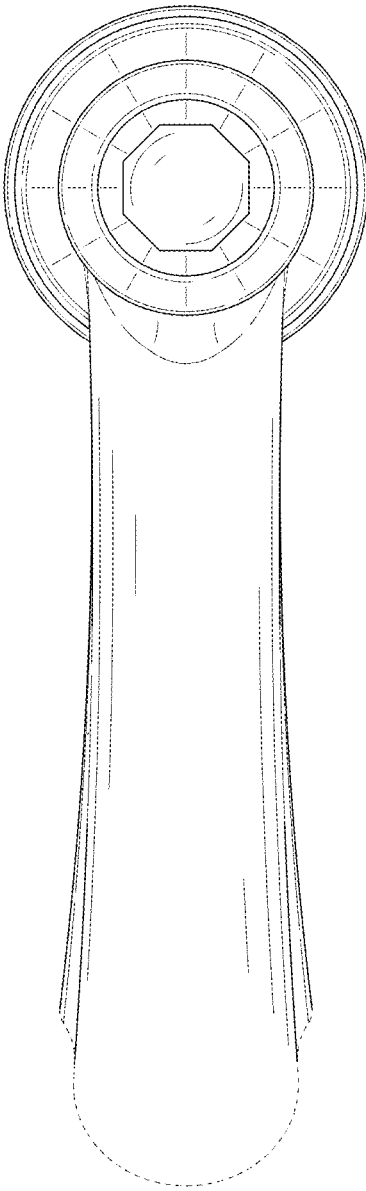


FIG. 7

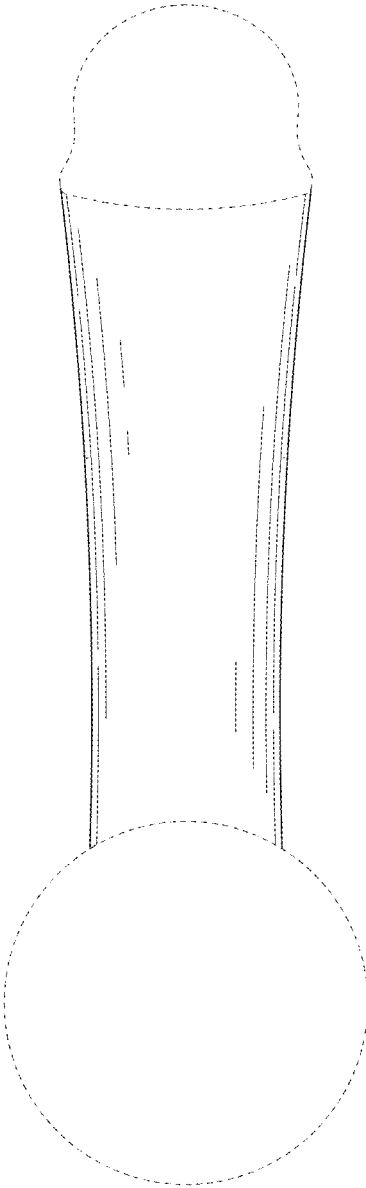


FIG. 8

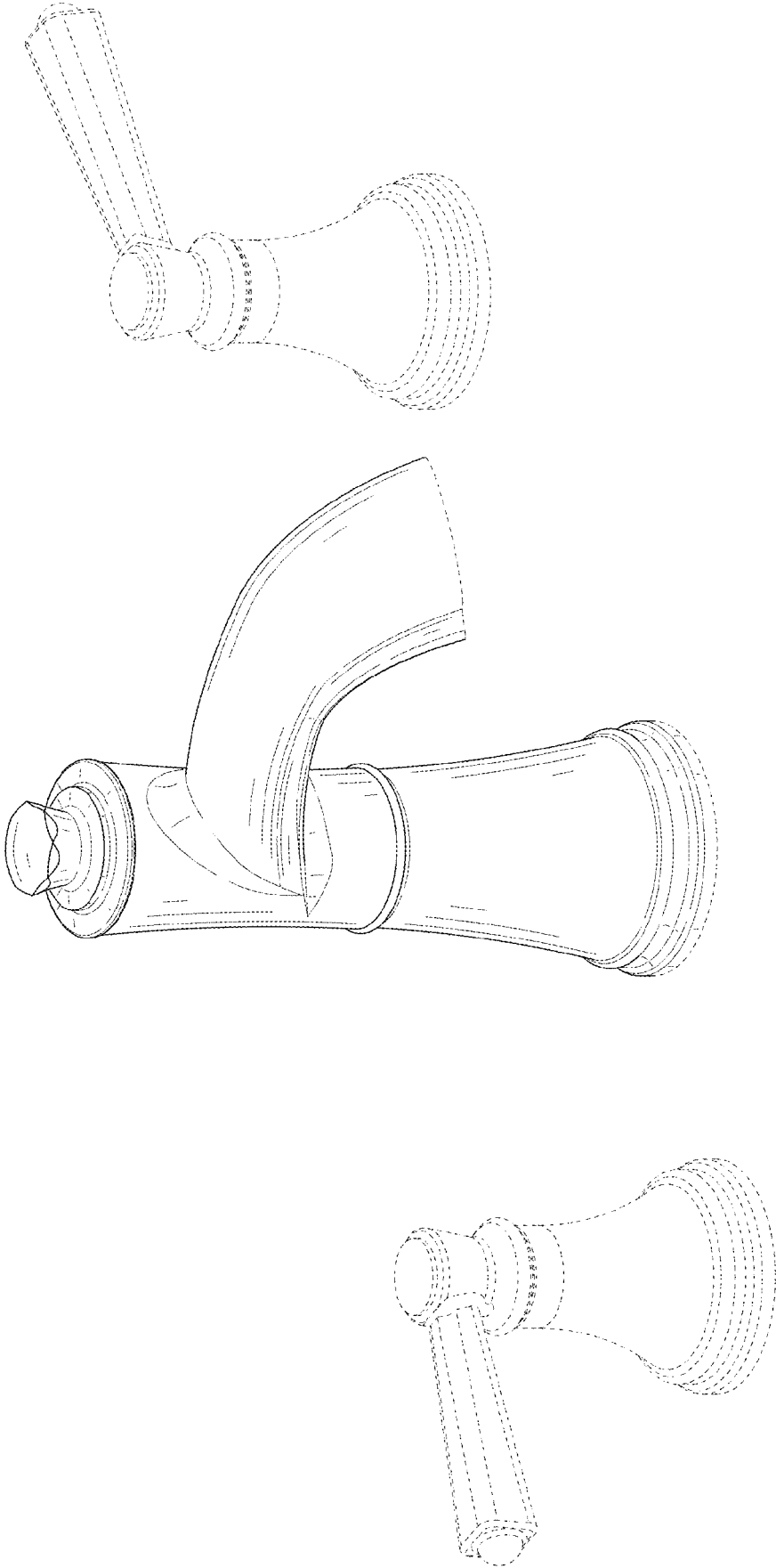


FIG. 9