



US00D572318S

(12) **United States Design Patent**
Broersma

(10) **Patent No.:** **US D572,318 S**

(45) **Date of Patent:** **** Jul. 1, 2008**

(54) **ROUND BACK, FLAT SIDE, TOP NOSE
PAINTBALL HOPPER**

(75) Inventor: **Lester V. Broersma**, San Diego, CA
(US)

(73) Assignee: **JT Sports LLC**, Bentonville, AR (US)

(**) Term: **14 Years**

(21) Appl. No.: **29/259,622**

(22) Filed: **May 11, 2006**

(51) **LOC (8) Cl.** **21-01**

(52) **U.S. Cl.** **D21/573**

(58) **Field of Classification Search** D21/567,
D21/570-575; D22/100, 101, 103, 104,
D22/108, 109; 124/41.1, 45, 49, 51.1, 55,
124/56, 69, 70-74, 79

See application file for complete search history.

(56) **References Cited**

U.S. PATENT DOCUMENTS

1,743,576 A	1/1930	Smith	
5,282,454 A	2/1994	Bell et al.	124/49
5,736,720 A	4/1998	Bell et al.	235/1
5,816,232 A	10/1998	Bell	124/51.1
6,055,975 A	5/2000	Gallagher et al.	124/50
6,142,137 A	11/2000	MacLaughlin	124/72
D459,767 S *	7/2002	Rushton	D21/573
6,725,852 B1 *	4/2004	Yokota et al.	124/49

6,729,497 B2	5/2004	Rice et al.	220/835
D496,556 S	9/2004	Skrocki et al.	7/391
6,802,306 B1	10/2004	Rice	124/74
D544,047 S *	6/2007	Bell et al.	D21/573
2002/0117159 A1 *	8/2002	Kotsiopoulos et al.	124/51.1
2003/0121927 A1	7/2003	Rice et al.	220/833
2004/0074489 A1	4/2004	Neumaster et al.	124/79
2006/0042614 A1	3/2006	Broersma	124/49

* cited by examiner

Primary Examiner—Holly H. Baynham

Assistant Examiner—Cynthia M. Chin

(74) *Attorney, Agent, or Firm*—Keisling Pieper & Scott PLC;
David B. Pieper; Trent C. Keisling

(57) **CLAIM**

The ornamental design for a round back, flat side, top nose paintball hopper, as shown and described.

DESCRIPTION

FIG. 1 is a top back isometric view of a round back, flat side, top nose paintball hopper showing my new design;

FIG. 2 is a top plan view thereof.

FIG. 3 is a front elevational view thereof;

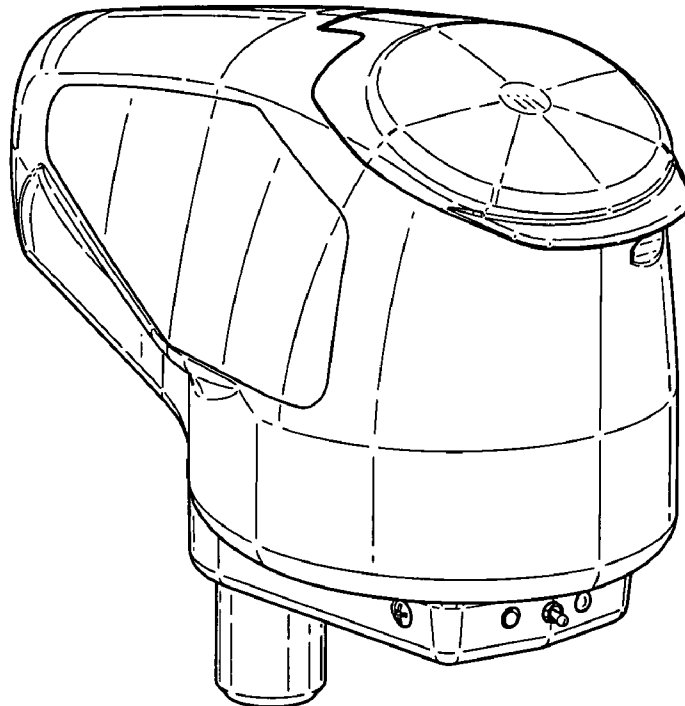
FIG. 4 is a left side elevational view thereof;

FIG. 5 is a back elevational view thereof;

FIG. 6 is right side elevational view thereof; and,

FIG. 7 is a bottom plan view thereof.

1 Claim, 4 Drawing Sheets



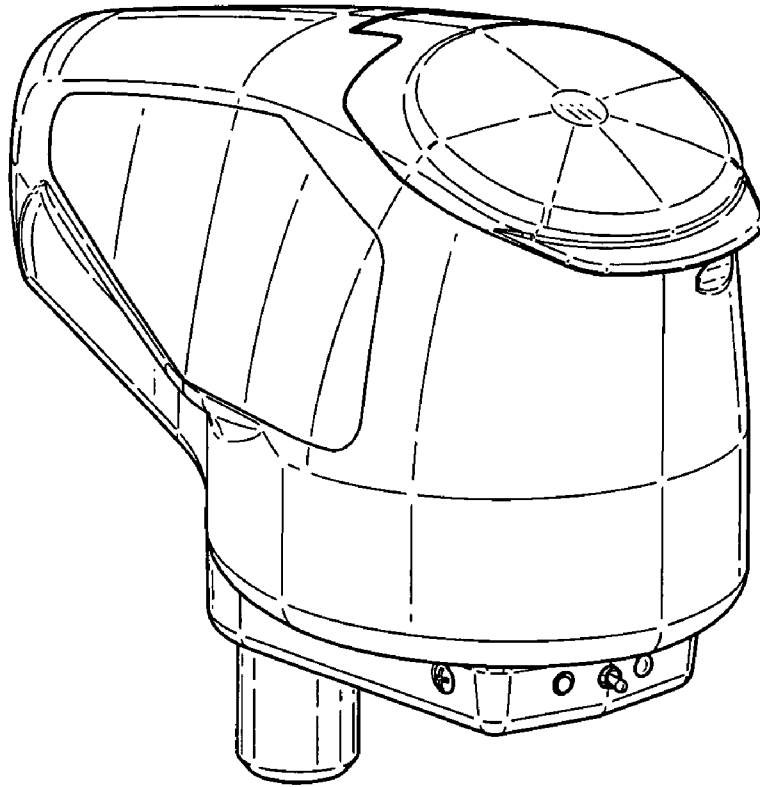


FIG. 1

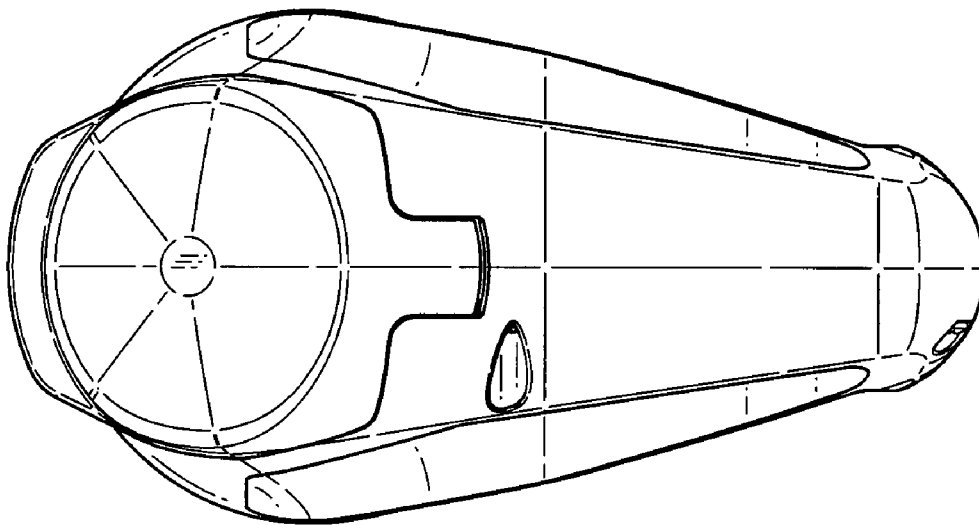


FIG. 2

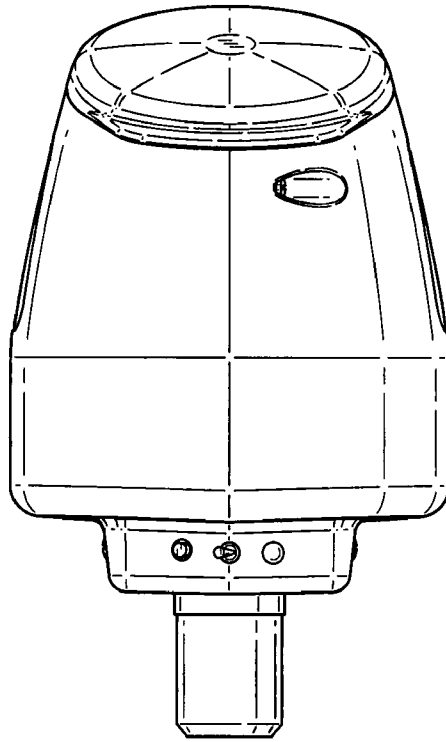


FIG. 3

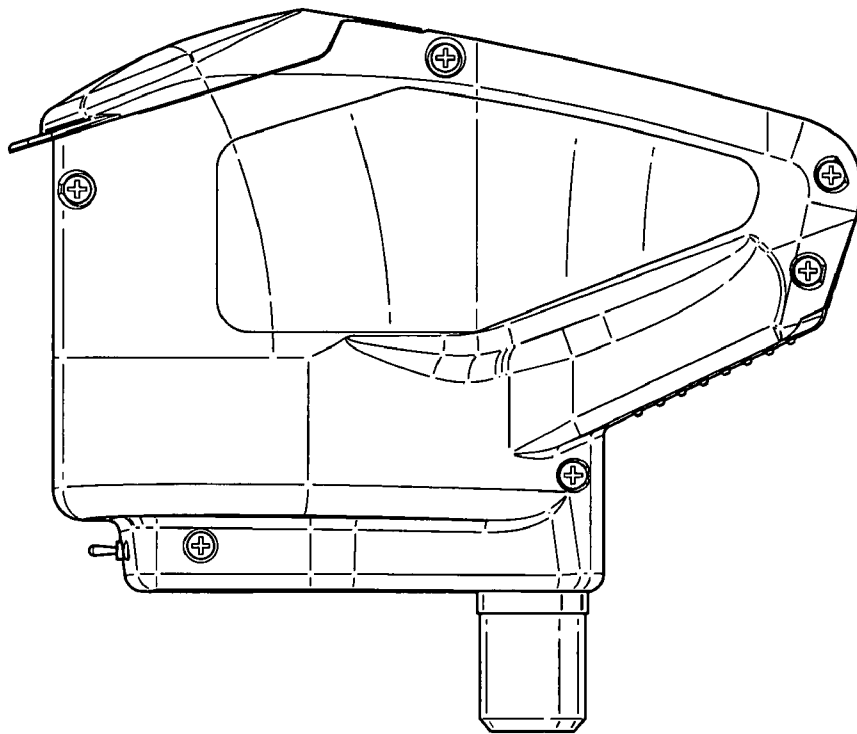


FIG. 4

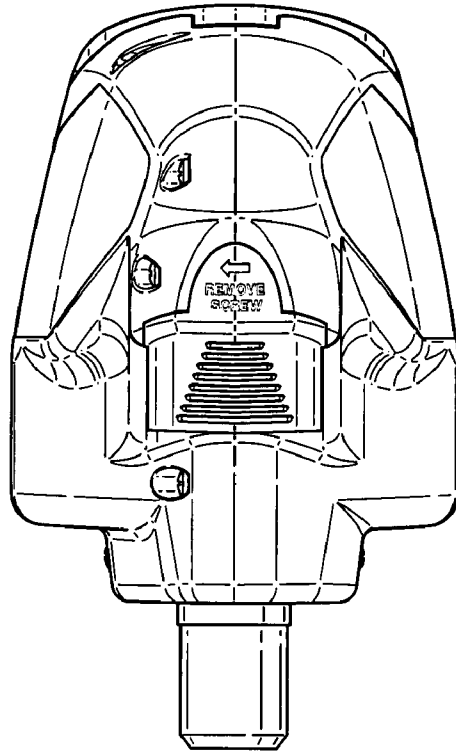


FIG. 5

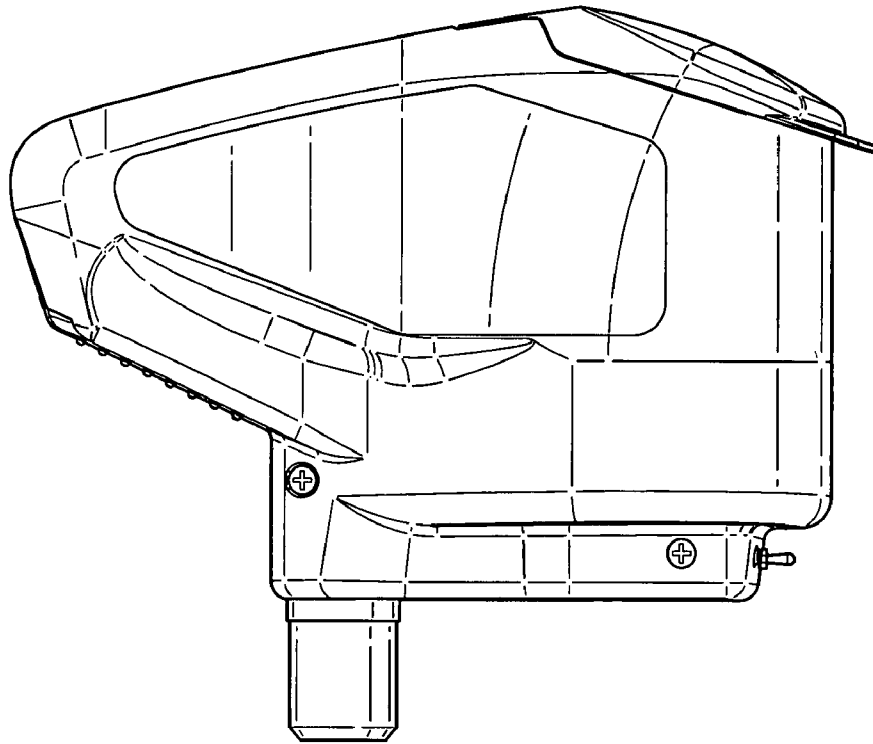


FIG. 6

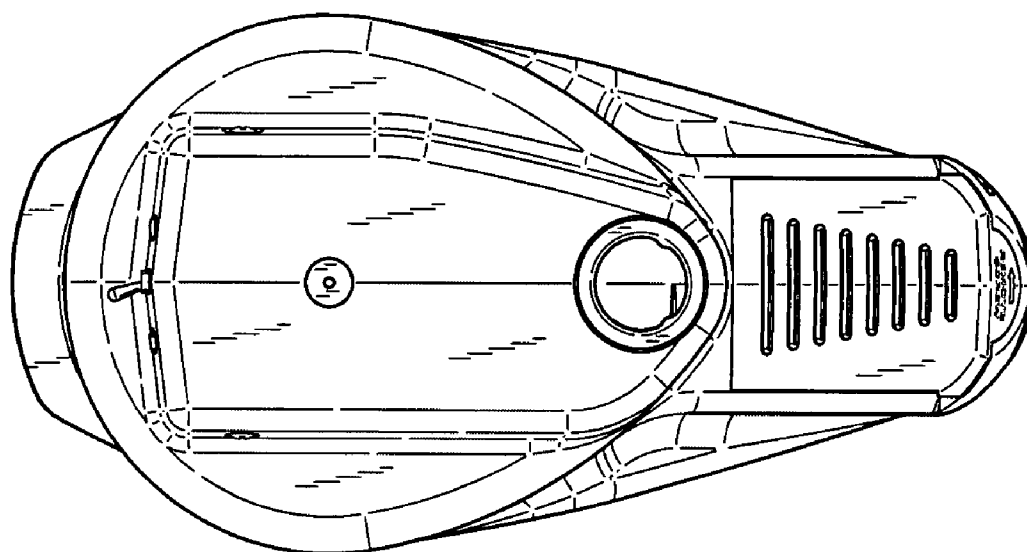


FIG. 7