



INTERNATIONAL APPLICATION PUBLISHED UNDER THE PATENT COOPERATION TREATY (PCT)

<p>(51) International Patent Classification ⁶ : D21G 3/00 // 3/04</p>	A1	<p>(11) International Publication Number: WO 97/41299</p> <p>(43) International Publication Date: 6 November 1997 (06.11.97)</p>
<p>(21) International Application Number: PCT/SE97/00678</p> <p>(22) International Filing Date: 22 April 1997 (22.04.97)</p> <p>(30) Priority Data: 9601679-5 2 May 1996 (02.05.96) SE</p> <p>(71) Applicant (for all designated States except US): BTG ECLEPENS S.A. [CH/CH]; CH-1312 Eclepens (CH).</p> <p>(72) Inventors; and (75) Inventors/Applicants (for US only): ERIKSSON, Tore [SE/SE]; Östra Rud, S-671 95 Klässbol (SE). FRETI, Silvano [CH/CH]; Les Convers C, CH-1195 Bursinel (CH).</p> <p>(74) Agent: AWAPATENT AB; P.O. Box 45086, S-104 30 Stockholm (SE).</p>		<p>(81) Designated States: CA, JP, US, European patent (AT, BE, CH, DE, DK, ES, FI, FR, GB, GR, IE, IT, LU, MC, NL, PT, SE).</p> <p>Published With international search report.</p>
<p>(54) Title: CREPING BLADE</p>		
<p>(57) Abstract</p>		
<p>Creping blade for the detachment of a travelling paper web from a dryer cylinder, said blade having an edge or tip section engaging said cylinder and being constantly hit by the travelling web during its detachment from the cylinder. The invention resides in the improvement of said edge or tip section being provided with a wear-resistant coating on a first part of said edge section hit by the web, the other part of said edge section engaging the cylinder being uncoated or coated with a non-wear-resistant material so that said other part is subjected to sliding wear.</p>		

FOR THE PURPOSES OF INFORMATION ONLY

Codes used to identify States party to the PCT on the front pages of pamphlets publishing international applications under the PCT.

AL	Albania	ES	Spain	LS	Lesotho	SI	Slovenia
AM	Armenia	FI	Finland	LT	Lithuania	SK	Slovakia
AT	Austria	FR	France	LU	Luxembourg	SN	Senegal
AU	Australia	GA	Gabon	LV	Latvia	SZ	Swaziland
AZ	Azerbaijan	GB	United Kingdom	MC	Monaco	TD	Chad
BA	Bosnia and Herzegovina	GE	Georgia	MD	Republic of Moldova	TG	Togo
BB	Barbados	GH	Ghana	MG	Madagascar	TJ	Tajikistan
BE	Belgium	GN	Guinea	MK	The former Yugoslav Republic of Macedonia	TM	Turkmenistan
BF	Burkina Faso	GR	Greece	ML	Mali	TR	Turkey
BG	Bulgaria	HU	Hungary	MN	Mongolia	TT	Trinidad and Tobago
BJ	Benin	IE	Ireland	MR	Mauritania	UA	Ukraine
BR	Brazil	IL	Israel	MW	Malawi	UG	Uganda
BY	Belarus	IS	Iceland	MX	Mexico	US	United States of America
CA	Canada	IT	Italy	NE	Niger	UZ	Uzbekistan
CF	Central African Republic	JP	Japan	NL	Netherlands	VN	Viet Nam
CG	Congo	KE	Kenya	NO	Norway	YU	Yugoslavia
CH	Switzerland	KG	Kyrgyzstan	NZ	New Zealand	ZW	Zimbabwe
CI	Côte d'Ivoire	KP	Democratic People's Republic of Korea	PL	Poland		
CM	Cameroon	KR	Republic of Korea	PT	Portugal		
CN	China	KZ	Kazakstan	RO	Romania		
CU	Cuba	LC	Saint Lucia	RU	Russian Federation		
CZ	Czech Republic	LI	Liechtenstein	SD	Sudan		
DE	Germany	LK	Sri Lanka	SE	Sweden		
DK	Denmark	LR	Liberia	SG	Singapore		
EE	Estonia						

CREPING BLADE

The present invention relates to a creping blade for the detachment of a travelling paper web from a rigid dryer cylinder to form a porous paper product, so called tissue.

5

Background of the invention

Scrapers or doctor blades are extensively used in the paper industry for different purposes but in most of the cases their function is to clean or scrape off material or residues from the surface of a rotating roll. A specific application of blades is constituted by their use as creping blades for the manufacture of tissue. Such blades have for a purpose to detach a paper web from a rigid dryer cylinder, usually a cast iron cylinder, by scraping the surface of the cylinder. At the same time the top or edge surface of the blade exerts a compressive action on the paper thereby creating the typical crepe structure of a tissue product.

Since creping blades are subjected to extensive wear different techniques to increase their life time are being used, such as adding wear resistant material onto the section of the blade engaging the cylinder. As an example of such reinforcement of the top or edge surface of the blade ceramic hardfacings are currently used as a practical solution to reduce the blade wear. Such ceramic coatings are usually applied to blades made of hardened and tempered carbon steel and can be applied by thermal spraying, such as plasma spraying or plating.

Examples of techniques for the provision of such wear-resistant coatings onto doctor blade or scrapers are found in UK patents 978,988, 1 289 609, and 2 130 924. All this prior art is directed to the provision of a wear-resistant coating on the part of the blade engaging the surface of a rotating cylinder.

35

Summary of the invention

The present invention is based on an entirely different concept relating to the creping blade design, said concept allowing the blade to be used for a longer period of time while maintaining a substantially constant tissue quality.

Accordingly, one object of the invention is to provide a new creping blade having a substantially extended lifetime yet allowing the provision of a high tissue quality.

Another object of the invention is to provide a creping blade provided with a wear-resistant coating at the location of the blade hit by the travelling paper web.

Yet another object of the invention is to leave those parts of the blade engaging the moving cylinder substantially uncovered by such wear-resistant coating to provide for a certain amount of wear of said uncoated part.

Still another object of the invention is to provide a creping blade designed in such a manner that inspite of the blade wear a substantially constant engagement specific pressure of the blade against the cylinder can be maintained.

For these and other objects which will be clear from the following description the invention provides for a creping blade for the detachment of a travelling paper web from a dryer cylinder, wherein said blade has an edge or tip section engaging said cylinder and also is constantly hit by the travelling web during its detachment from the cylinder. The improvement according to the present invention is constituted by the fact that said edge or tip section is provided with a wear resistant coating on a first part of said section hit by the web, whereas the other part of said section engaging the cylinder is uncoated or coated with a non-wear-resistant material so that said other part is subjected to sliding wear.

In a preferred embodiment of the invention the cre-

ping clade has a thickness of at least about 0.5 mm. The upper extreme of the thickness of the blade is not particularly critical but usually does not exceed 2 to 3 mm. A particularly practical range is from about 0.8 to about
5 1.2 mm.

The wear-resistant coating used to reduce the wear on the part of the blade which is hit by the travelling paper web during detachment can suitably be comprised by a ceramic material, but also other wear-resistant materi-
10 als, such as metallic or composite materials, can be used. It is particularly preferred to use a ceramic material applied by thermal spraying, such as plasma spraying or by a PVD (physical vapour deposition) or CVD (chemical vapour deposition) process.

15 The wear-resistant coating is preferably comprised of a thermally sprayed material and is suitably selected from metal oxides, silicates, carbides, borides, nitrides and mixtures thereof.

Particularly preferred ceramic materials are selected from alumina, chromia, zirconia, tungsten carbide,
20 chromium carbide, zirconium carbide, tantalum carbide, titanium carbide and borides.

The wear-resistant coating applied in accordance with the present invention has preferably a thickness
25 varying within the range of about 1 to 100 μm . However, the coating can have a thickness even exceeding that upper limit.

The material used in the creping blade according to the present invention is preferably a metal in the form
30 of a strip of metal, polymeric material or composite material, and it is particularly preferred that such metal strip is comprised of hot or cold rolled steel. It is suitable to use hardened and tempered carbon steel as a material for the blade.

35 In another preferred embodiment of the invention the creping blade is comprised of a substantially flat strip having a top or edge surface, a side surface facing the

cylinder, a junction section between said surfaces engaging said cylinder and a recess in said side surface extending along said junction section and forming a narrow wear land on the junction section, said land being subject to conformation to the moving cylinder surface.

In such embodiment it is preferred that said recess is designed in such a manner that the wear land surface engaging the cylinder surface remains essentially constant throughout the operative cycle of the blade.

Further, in relation to such embodiment the surface of the blade opposite to the wear land is provided with wear-resistant coating to broaden said top or edge surface of the blade. This will increase the depth of wear, yet maintaining the creping efficiency and a constant tissue quality.

Said recess may be filled with a non-wear-resistant material. In the alternative said other section is uncoated.

The present invention will now be described more in detail with reference to the appended drawing, wherein

Figure 1 is a diagrammatical side section showing the area adjacent to the site of engagement of the blade against a moving cylinder surface;

Figures 2 and 3 illustrate the sliding wear of the blade throughout the life of the blade;

Figure 4 is a diagrammatic side view showing the erosion of the tip of the blade that takes place during operation;

Figure 5 shows in a side view the edge section of a blade provided with a wear-resistant coating;

Figure 6 shows a corresponding side view in section after some wear of the blade tip engaging the cylinder;

Figure 7 shows in a diagrammatic section an embodiment of the blade with a modified wear section design;

and

Figure 8 shows another embodiment of a blade tip design based on the same principle.

Figure 1 illustrates the area of engagement between the surface of a moving cylinder 1 and the edge or tip portion of a creping blade 5. Cylinder 1 moves in direction of arrow a) and transports a paper web 3 up to the edge surface 11 of the blade 5. In figure 1 the blade 5 engages the surface of cylinder 1 at the edge 9 joining top surface 11 and a side surface 13 facing the cylinder. When the paper web 3 hits surface 11 of the blade 5 it is detached from the cylinder and by the compressive action on the paper a typical crepe structure of a tissue product 7 will be created.

In the practice of producing tissue products two types of wear take place on the edge section of the blade 5. First, a sliding wear arises at the point of engagement of the blade 5 with the moving cylinder surface. Second, the top or edge surface 11 of the blade 5 which is constantly hit by the paper web 3 will be subjected to extensive wear or erosion as illustrated diagrammatically in figure 4.

Figures 2 and 3 illustrate the situation concerning the first type of wear, namely the sliding wear against the moving cylinder surface. Figure 2 illustrates in the form of a diagram the specific pressure exerted by the blade 5 onto the cylinder surface as a function of time on a logarithmic scale, and by the progression of wear as illustrated in figure 3 the specific pressure decreases at a constant linear load of the blade. The specific pressure applied at the beginning of the operation is thus very high but decreases with time due to the increased contact area. At point c) the specific pressure against the cylinder is insufficient to insure a proper detachment of the web making a change of blade necessary.

Reverting to the second wear, namely the abrasive action of the web when hitting the edge or top surface 11 of the blade 15, the action of the paper web produces local wear of the blade as shown in figure 4. The geome-

trical configuration of the area where the blade 5 is contacted by the web 3 is of high importance for obtaining a constant crepe structure. Therefore, the abrasive action of the web when hitting the blade will cause a varying crepe characteristic unless proper measures are taken.

The solution offered by the present invention is illustrated by the embodiments shown in figures 5 to 8. The solution to the problem resides in the provision of a blade design, where the section or part of the blade engaging the cylinder is not provided with a wear-resistant coating or only provided with a non-wear-resistant coating, whereas the part of the blade edge contacted by the travelling paper web during detachment of said web is coated with a wear-resistant coating. In the embodiment of figure 5 such wear-resistant coating 19, for example a ceramic coating, is provided on the top or edge surface 11 of the blade 5, whereas the side surface 13 of the blade facing the cylinder remains uncoated. Therefore, during operation the outermost part of surface 13 engaging the cylinder 1 will be subjected to wear as illustrated in figure 6 by the wear section of land 7. In this manner by the intentional wear of the blade at the point of engagement with the cylinder 1 the point of abrasive action or erosion where the paper web 3 hits the blade, as illustrated in figure 4, will be moved to the right as the wear progresses, which results in a given crepe characteristic being maintained throughout the operation.

Figure 7 shows an alternative embodiment in regard to the design of the blade tip. In this embodiment the surface 13 facing the cylinder has been provided with a recess extending along the blade to form a narrow wear land or wear surface 17 which will in operation conform to the moving cylinder surface. In this embodiment as can be seen from figure 7 a constant surface 17 of engagement to the cylinder will be formed throughout the wear period all the way down to the bottom of the recess 15 resulting

in maintained specific engagement pressure at a constant linear load of the blade.

To increase the surface of engagement with the travelling paper web 3 the blade is provided with a wear-resistant coating not only on the top or edge surface 11 of the blade but is also provided with wear resistant coating 21 on the side surface of the blade 5 opposite to the wear land 17 and to the inner most part of the recess 15.

Figure 8 shows an embodiment operating according to the same principle as according to figure 7 but with a modified shape of the recess 15. Furthermore, increased blade thickness makes it possible to obtain a long life of the blade without using an exterior wear-resistant coating 21 as in the embodiment shown in figure 7.

EXAMPLE 1

A steel blade having a thickness of 1.2 mm and without wear-resistant coating was used in a creping machine. The blade had the configuration shown in figure 5 but was not provided with a ceramic coating. The blade was run for about 26 h and was then analyzed from a wear standpoint. The wear land 7 had the shape as shown in figure 6 and a width of about 1 mm. The original 10° negative bevel of the blade edge had, however, changed by erosion creating a varying crepe structure.

EXAMPLE 2

A second trial was made using the same blade but in this case the blade was provided with a ceramic coating as shown in figures 5 and 6 having a thickness of about 50 µm. After the creping operation the blade was analyzed after a period of 26 h of creping operation. The wear land 7 was of the same order of magnitude, about 1 mm, but due to the presence of the wear-resistant coating on the surface 11 engaged by the travelling paper web 3 no change in the geometry of the site of impact was observed

thereby creating a constant crepe structure of the tissue product produced.

The inventive concept as illustrated by the non-limiting examples described above enables the manufacture of a tissue product of constant structure and properties throughout the operation cycle. This is made possible by the use of a blade design where sliding wear against the cylinder surface is allowed, thereby creating a moving site of contact between the edge surface 11 of the blade 5 and the travelling paper web 3. The wear-resistant layer applied to the blade shall have a thickness which does not interfere with the sliding behaviour. Furthermore, it is preferred to use a relatively thick blade, at least at the tip section thereof, such as 1 mm or more, to allow for a considerable degree of sliding wear.

It is important to note that the present invention is not restricted to the embodiments described with regard to blade configuration, blade material, type and character of wear-resistant coating, and it is obvious that various modifications of designs, materials etc. are obvious to the skilled artisan.

CLAIMS

1. Creping blade for the detachment of a travelling paper web from a dryer cylinder, said blade having an edge or tip section engaging said cylinder and being constantly hit by the travelling web during its detachment from the cylinder, characterized by said edge or tip section being provided with a wear-resistant coating on a first part of said section hit by the web, the other part of said section engaging the cylinder being uncoated or coated with a non-wear-resistant material so that said other part is subjected to sliding wear.
2. Creping blade according to claim 1, wherein the blade has a thickness of at least about 0.5 mm.
3. Creping blade according to claim 1 or 2, wherein the wear-resistant coating is comprised of a ceramic or metallic material or mixtures thereof.
4. Creping blade according to claim 3, wherein the wear-resistant coating is comprised of a thermally sprayed material.
5. Creping blade according to claim 3, wherein the wear-resistant coating is comprised of a material applied by PVD or CVD.
6. Creping blade according to claim 3 or 4, wherein the ceramic material is selected from metal oxides, silicides, carbides, borides, nitrides, and mixtures thereof.
7. Creping blade according to claim 6, wherein the ceramic material is selected from alumina, chromia, zirconia, tungsten carbide, chromium carbide, zirconium carbide, tantalum carbide, titanium carbide and borides.
8. Creping blade according to any one of the preceding claims, wherein said first part of the edge is provided with a coated end surface which forms an angle to said other part of the edge within the range about 45° to 120°.
9. Creping blade according to any one of the preceding claims, wherein the wear-resistant coating has a

thickness within the range about 1 to 100 μm .

10. Creping blade according to any one of the preceding claims, comprising a strip of metal, polymeric material, composite material.

5 11. Creping blade according to claim 10, wherein said metal strip is comprised of hot or cold rolled steel.

12. Creping blade according to any one of claims 1 to 7, comprising a substantially flat strip having a tip or edge surface (11), a side surface (13) facing the cylinder, a junction section (9) between said surfaces engaging said cylinder, and a recess (15) in said side surface (13) extending along said junction section and forming a narrow wear land (17) on said junction section
15 conforming to the moving cylinder surface.

13. Creping blade according to claim 12, wherein said recess (15) is designed in such a manner that the wear land surface engaging the cylinder surface remains essentially constant throughout the operative cycle of
20 the blade.

14. Creping blade according to claim 12 or 13, wherein the side surface of the blade opposite to the wear land is provided with wear-resistant coating to broaden said top or edge surface thereby increasing the depth of
25 wear with maintained creping efficiency.

15. Creping blade according to any one of claims 12 to 14, wherein said recess (15) is filled with a non-wear-resistant material.

16. Creping blade according to any one of claims 1
30 to 14, wherein said other section is uncoated.

1/3

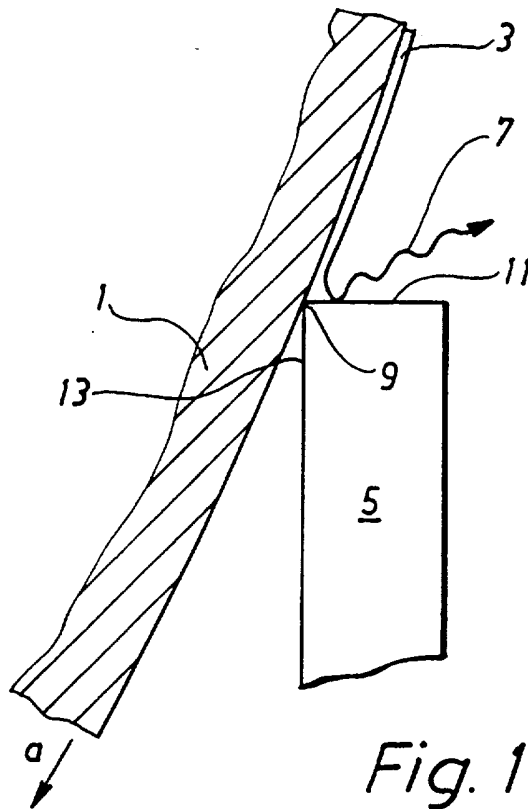


Fig. 1

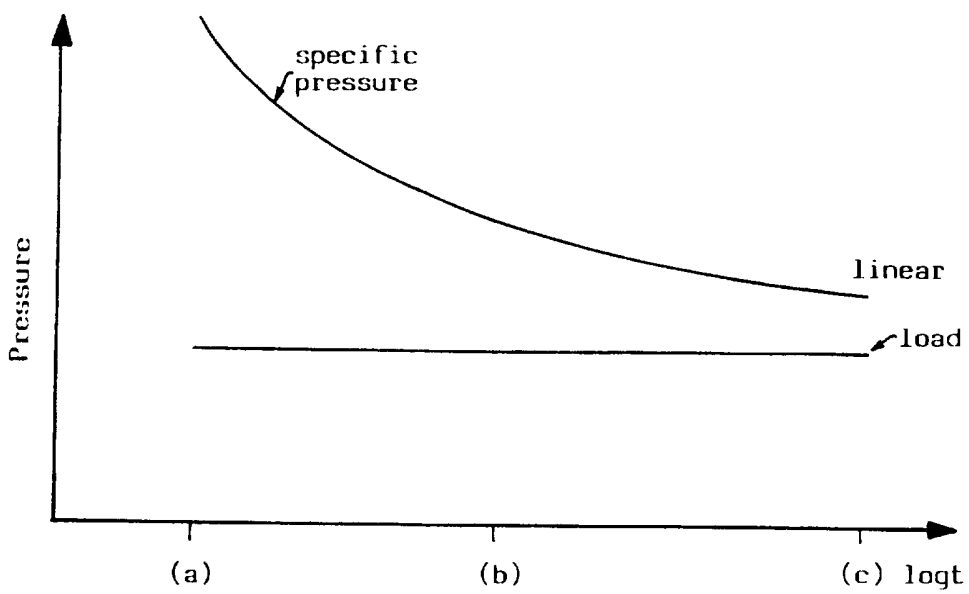


Fig. 2

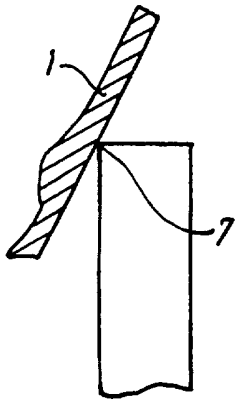


Fig. 3a

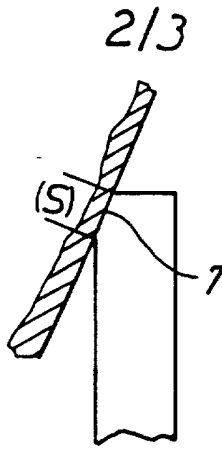


Fig. 3b

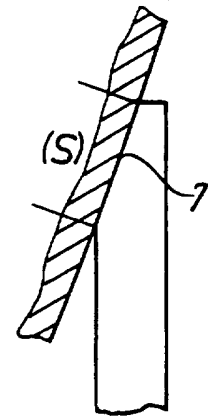


Fig. 3c

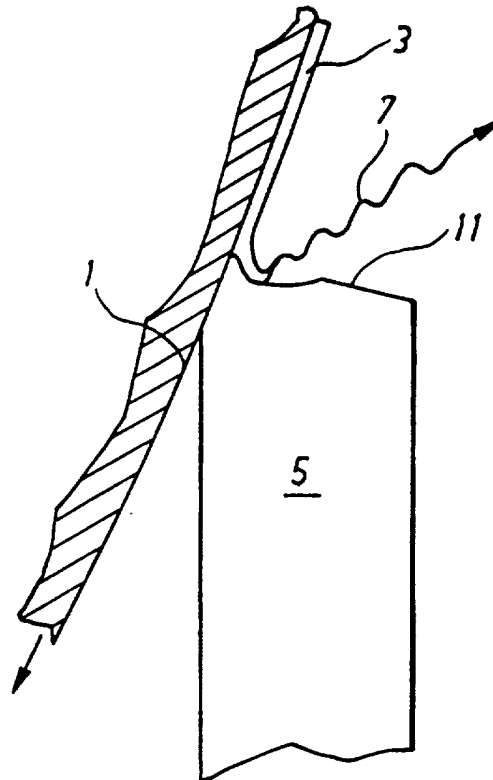
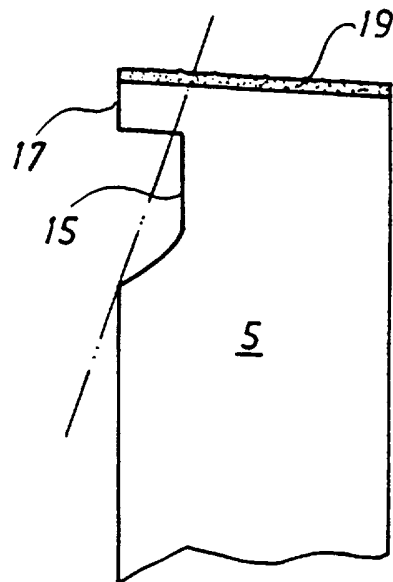
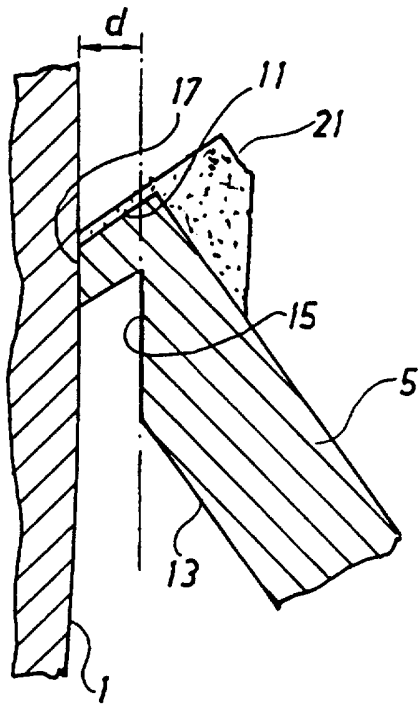
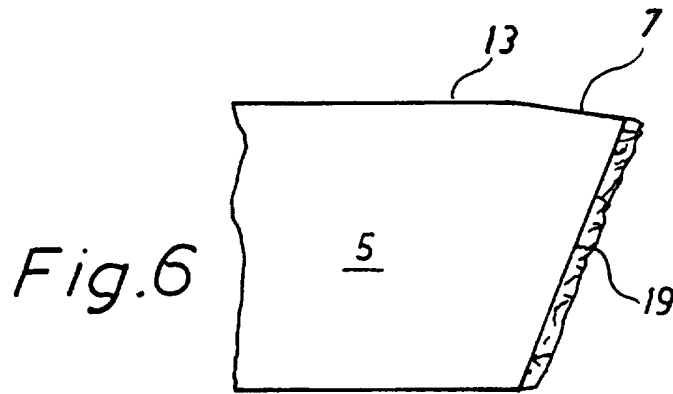
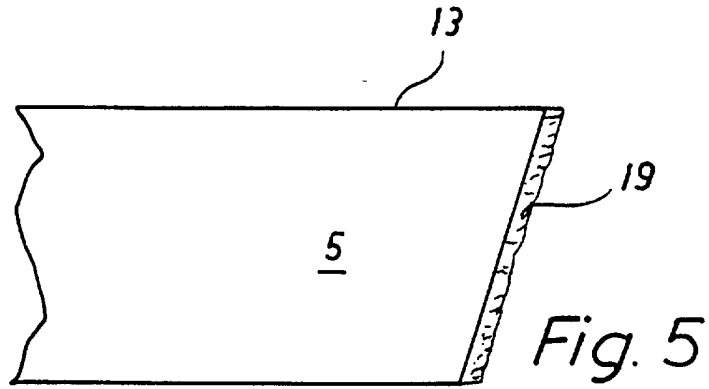


Fig. 4

3/3



INTERNATIONAL SEARCH REPORT

International application No.

PCT/SE 97/00678

A. CLASSIFICATION OF SUBJECT MATTER

IPC6: D21G 3/00 // D21G 3/04

According to International Patent Classification (IPC) or to both national classification and IPC

B. FIELDS SEARCHED

Minimum documentation searched (classification system followed by classification symbols)

IPC6: D21G

Documentation searched other than minimum documentation to the extent that such documents are included in the fields searched

SE,DK,FI,NO classes as above

Electronic data base consulted during the international search (name of data base and, where practicable, search terms used)

DIALOG: ALLSCIENCE

C. DOCUMENTS CONSIDERED TO BE RELEVANT

Category*	Citation of document, with indication, where appropriate, of the relevant passages	Relevant to claim No.
A	GB 978988 A (LODDING ENGINEERING CORPORATION), 1 January 1965 (01.01.65) --	1
A	GB 1289609 A (NORTON COMPANY), 20 Sept 1972 (20.09.72) --	1
A	GB 2130924 A (INVENTING SA), 13 June 1984 (13.06.84) --	1
A	WO 8607309 A1 (UDDEHOLM STRIP STEEL AKTIEBOLAG ET AL), 18 December 1986 (18.12.86) -- -----	1

 Further documents are listed in the continuation of Box C. See patent family annex.

* Special categories of cited documents:

"A" document defining the general state of the art which is not considered to be of particular relevance

"E" earlier document but published on or after the international filing date

"L" document which may throw doubts on priority claim(s) or which is cited to establish the publication date of another citation or other special reason (as specified)

"O" document referring to an oral disclosure, use, exhibition or other means

"P" document published prior to the international filing date but later than the priority date claimed

"T" later document published after the international filing date or priority date and not in conflict with the application but cited to understand the principle or theory underlying the invention

"X" document of particular relevance: the claimed invention cannot be considered novel or cannot be considered to involve an inventive step when the document is taken alone

"Y" document of particular relevance: the claimed invention cannot be considered to involve an inventive step when the document is combined with one or more other such documents, such combination being obvious to a person skilled in the art

"&" document member of the same patent family

Date of the actual completion of the international search

30 July 1997

Date of mailing of the international search report

06-08-1997

Name and mailing address of the ISA/
Swedish Patent Office
Box 5055, S-102 42 STOCKHOLM
Facsimile No. +46 8 666 02 86

Authorized officer

Olav Jensen
Telephone No. +46 8 782 25 00

INTERNATIONAL SEARCH REPORT
Information on patent family members

01/07/97

International application No.
PCT/SE 97/00678

Patent document cited in search report	Publication date	Patent family member(s)	Publication date
GB 978988 A	01/01/65	NONE	
GB 1289609 A	20/09/72	CA 925335 A DE 2030882 A FR 2052664 A SE 368047 B ZA 7003701 A	01/05/73 23/12/70 09/04/71 17/06/74 27/01/71
GB 2130924 A	13/06/84	CH 661951 A,B DE 3336704 A,C FR 2534609 A,B JP 8011877 B JP 59088995 A SE 437681 B SE 8205805 A	31/08/87 19/04/84 20/04/84 07/02/96 23/05/84 11/03/85 14/04/84
WO 8607309 A1	18/12/86	AU 5966386 A BR 8607112 A EP 0262137 A,B JP 62503085 T SE 447362 B,C SE 8502954 D	07/01/87 23/02/88 06/04/88 10/12/87 10/11/86 00/00/00