



INTERNATIONAL APPLICATION PUBLISHED UNDER THE PATENT COOPERATION TREATY (PCT)

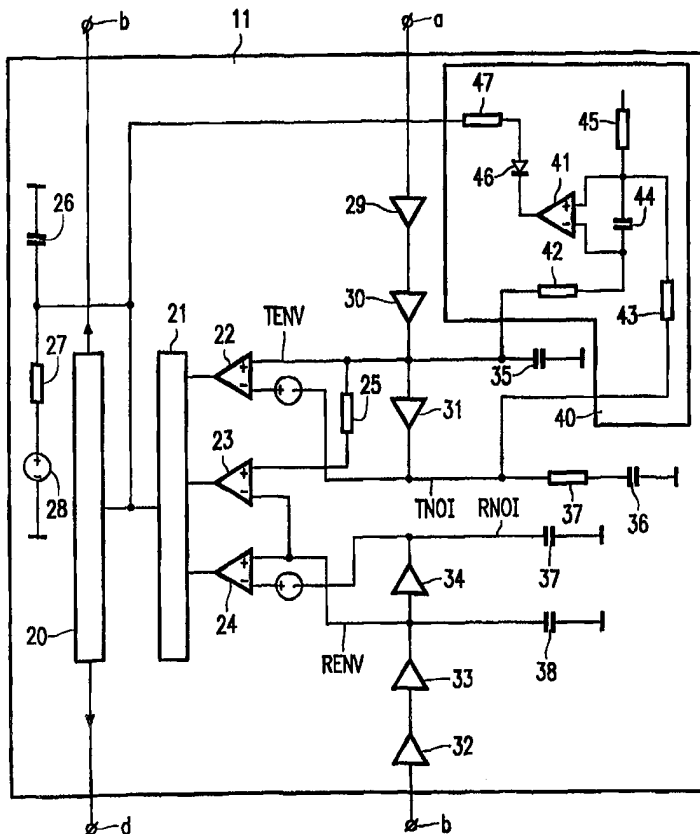
| | | |
|---|------------------|--|
| <p>(51) International Patent Classification ⁶ : H04M 1/60</p> | <p>A3</p> | <p>(11) International Publication Number: WO 98/16050 (43) International Publication Date: 16 April 1998 (16.04.98)</p> |
|---|------------------|--|

| | |
|--|---|
| <p>(21) International Application Number: PCT/IB97/01075 (22) International Filing Date: 8 September 1997 (08.09.97) (30) Priority Data: 96202777.7 4 October 1996 (04.10.96) EP (34) Countries for which the regional or international application was filed: NL et al. (71) Applicant: PHILIPS ELECTRONICS N.V. [NL/NL]; Groenewoudseweg 1, NL-5621 BA Eindhoven (NL). (71) Applicant (for SE only): PHILIPS NORDEN AB [SE/SE]; Kottbygatan 7, Kista, S-164 85 Stockholm (SE). (72) Inventors: RIJNBERG, Adriaan, Johannes; Prof. Holstlaan 6, NL-5656 AA Eindhoven (NL). BEIJER, Paul, Arnold, Christiaan; Prof. Holstlaan 6, NL-5656 AA Eindhoven (NL). (74) Agent: CUPPENS, Hubertus, M., M.; Internationaal Octrooibureau B.V., P.O. Box 220, NL-5600 AE Eindhoven (NL).</p> | <p>(81) Designated States: JP, European patent (AT, BE, CH, DE, DK, ES, FI, FR, GB, GR, IE, IT, LU, MC, NL, PT, SE). Published <i>With international search report.</i> (88) Date of publication of the international search report: 18 June 1998 (18.06.98)</p> |
|--|---|

(54) Title: A TELECOMMUNICATIONS SYSTEM, A SUBSCRIBER UNIT, AND A TELEVISION SET COMPRISING A SUBSCRIBER UNIT

(57) Abstract

Known is a telecommunications system comprising a near end and a far end subscriber unit communicating with each other via a transmission channel, at least the near end subscriber being arranged for handsfree communication. In the known system, the near end subscriber unit comprises a duplex controller controlling the near end subscriber unit to three stable modes, a transmit mode, a receive mode, and an idle mode. The known subscriber unit operates in half-duplex mode and has speech and noise detectors for the transmit and receive paths, and a speech level comparator controlling the mode switching. At mode switching, suitable gain adaptation is done in the transmit and receive path so as to prevent howling in handsfree mode. The known duplex controller does not operate satisfactorily if the near end speaker is at a relatively large distance from the microphone. A telecommunications system is provided that satisfactorily operates when the near end speaker is a relatively large distance from the microphone. Time constants of the system are influenced when the far end speaker stops talking and the near end speaker takes over such that no speech loss occurs at the far end.



FOR THE PURPOSES OF INFORMATION ONLY

Codes used to identify States party to the PCT on the front pages of pamphlets publishing international applications under the PCT.

| | | | | | | | |
|----|--------------------------|----|--|----|--|----|--------------------------|
| AL | Albania | ES | Spain | LS | Lesotho | SI | Slovenia |
| AM | Armenia | FI | Finland | LT | Lithuania | SK | Slovakia |
| AT | Austria | FR | France | LU | Luxembourg | SN | Senegal |
| AU | Australia | GA | Gabon | LV | Latvia | SZ | Swaziland |
| AZ | Azerbaijan | GB | United Kingdom | MC | Monaco | TD | Chad |
| BA | Bosnia and Herzegovina | GE | Georgia | MD | Republic of Moldova | TG | Togo |
| BB | Barbados | GH | Ghana | MG | Madagascar | TJ | Tajikistan |
| BE | Belgium | GN | Guinea | MK | The former Yugoslav Republic of Macedonia | TM | Turkmenistan |
| BF | Burkina Faso | GR | Greece | ML | Mali | TR | Turkey |
| BG | Bulgaria | HU | Hungary | MN | Mongolia | TT | Trinidad and Tobago |
| BJ | Benin | IE | Ireland | MR | Mauritania | UA | Ukraine |
| BR | Brazil | IL | Israel | MW | Malawi | UG | Uganda |
| BY | Belarus | IS | Iceland | MX | Mexico | US | United States of America |
| CA | Canada | IT | Italy | NE | Niger | UZ | Uzbekistan |
| CF | Central African Republic | JP | Japan | NL | Netherlands | VN | Viet Nam |
| CG | Congo | KE | Kenya | NO | Norway | YU | Yugoslavia |
| CH | Switzerland | KG | Kyrgyzstan | NZ | New Zealand | ZW | Zimbabwe |
| CI | Côte d'Ivoire | KP | Democratic People's Republic of Korea | PL | Poland | | |
| CM | Cameroon | KR | Republic of Korea | PT | Portugal | | |
| CN | China | KZ | Kazakstan | RO | Romania | | |
| CU | Cuba | LC | Saint Lucia | RU | Russian Federation | | |
| CZ | Czech Republic | LI | Liechtenstein | SD | Sudan | | |
| DE | Germany | LK | Sri Lanka | SE | Sweden | | |
| DK | Denmark | LR | Liberia | SG | Singapore | | |
| EE | Estonia | | | | | | |

INTERNATIONAL SEARCH REPORT

International application No.

PCT/IB 97/01075

| A. CLASSIFICATION OF SUBJECT MATTER | | |
|--|---|--|
| IPC6: H04M 1/60 According to International Patent Classification (IPC) or to both national classification and IPC | | |
| B. FIELDS SEARCHED | | |
| Minimum documentation searched (classification system followed by classification symbols) | | |
| IPC6: H04M | | |
| Documentation searched other than minimum documentation to the extent that such documents are included in the fields searched | | |
| SE,DK,FI,NO classes as above | | |
| Electronic data base consulted during the international search (name of data base and, where practicable, search terms used) | | |
| WPI | | |
| C. DOCUMENTS CONSIDERED TO BE RELEVANT | | |
| Category* | Citation of document, with indication, where appropriate, of the relevant passages | Relevant to claim No. |
| A | US 4724540 A (W. DAVID PACE ET AL), 9 February 1988 (09.02.88), figure 1, abstract -- | 1-5 |
| A | US 5430796 A (MOTOYOSHI KOMODA ET AL), 4 July 1995 (04.07.95), column 4, line 13 - line 59, figure 3 -- | 1-5 |
| A | US 5544242 A (NEIL E. ROBINSON), 6 August 1996 (06.08.96), figure 1, abstract -- ----- | 1-5 |
| <input type="checkbox"/> Further documents are listed in the continuation of Box C. | | |
| <input checked="" type="checkbox"/> See patent family annex. | | |
| * Special categories of cited documents: | | |
| "A" | document defining the general state of the art which is not considered to be of particular relevance | "T" later document published after the international filing date or priority date and not in conflict with the application but cited to understand the principle or theory underlying the invention |
| "E" | earlier document but published on or after the international filing date | "X" document of particular relevance: the claimed invention cannot be considered novel or cannot be considered to involve an inventive step when the document is taken alone |
| "L" | document which may throw doubts on priority claim(s) or which is cited to establish the publication date of another citation or other special reason (as specified) | "Y" document of particular relevance: the claimed invention cannot be considered to involve an inventive step when the document is combined with one or more other such documents, such combination being obvious to a person skilled in the art |
| "O" | document referring to an oral disclosure, use, exhibition or other means | "&" document member of the same patent family |
| "P" | document published prior to the international filing date but later than the priority date claimed | |
| Date of the actual completion of the international search | | Date of mailing of the international search report |
| 9 April 1998 | | 15.04.98 |
| Name and mailing address of the ISA/ Swedish Patent Office Box 5055, S-102 42 STOCKHOLM Facsimile No. +46 8 666 02 86 | | Authorized officer Roland Landström Telephone No. +46 8 782 25 00 |

INTERNATIONAL SEARCH REPORT
Information on patent family members

02/03/98

International application No.

PCT/IB 97/01075

| Patent document cited in search report | Publication date | Patent family member(s) | Publication date |
|--|------------------|---|--|
| US 4724540 A | 09/02/88 | GB 2194868 A,B HK 37793 A JP 1763737 C JP 4050786 B JP 63063249 A KR 9609909 B | 16/03/88 30/04/93 28/05/93 17/08/92 19/03/88 24/07/96 |
| US 5430796 A | 04/07/95 | AU 654156 B AU 8800491 A CA 2055794 A,C EP 0486990 A JP 2634946 B JP 4183153 A KR 9601993 B | 27/10/94 21/05/92 20/05/92 27/05/92 30/07/97 30/06/92 08/02/96 |
| US 5544242 A | 06/08/96 | EP 0627839 A JP 6338934 A | 07/12/94 06/12/94 |