



US0D1032579S

(12) **United States Design Patent**
Hu

(10) **Patent No.:** **US D1,032,579 S**

(45) **Date of Patent:** **** Jun. 25, 2024**

(54) **TV STAND**

(71) Applicant: **Ningbo Jiesheng Technology Co., Ltd.**, Ningbo (CN)

(72) Inventor: **Yingying Hu**, Ningbo (CN)

(73) Assignee: **Ningbo Jiesheng Technology Co., Ltd.**

(**) Term: **15 Years**

(21) Appl. No.: **29/852,378**

(22) Filed: **Sep. 7, 2022**

(51) **LOC (14) Cl.** **14-03**

(52) **U.S. Cl.** **D14/239**
USPC

(58) **Field of Classification Search**
USPC D14/125, 126, 238, 239, 336, 371, 374, D14/375, 376, 377, 448, 451; D19/113, D19/114; D6/668.2, 676, 675
CPC H04N 7/00; H04N 9/3141; H04N 17/04; H04N 17/004; H04N 21/43637; G06F 1/1601; G06F 1/1605; G06F 1/162
See application file for complete search history.

(56) **References Cited**

U.S. PATENT DOCUMENTS

D567,545 S *	4/2008	Liu	D6/678.1
D593,776 S *	6/2009	Sexton	D6/678.2
D719,384 S *	12/2014	Sowers	D6/678.2
D789,916 S *	6/2017	Choi	D14/239
D914,656 S *	3/2021	Pei	D14/239
D915,363 S *	4/2021	Pei	D14/239
D928,128 S *	8/2021	Chen	D14/239
D935,247 S *	11/2021	Jin	D6/678.1
D948,489 S *	4/2022	van Til	D14/239
D955,350 S *	6/2022	Hwang	G06F 1/1601 D14/126
D985,575 S *	5/2023	You	D14/451

D1,011,808 S *	1/2024	You	D6/678
D1,016,053 S *	2/2024	Chong	D14/239
2009/0294605 A1 *	12/2009	Smith	A47B 81/06 248/176.1
2019/0168374 A1 *	6/2019	Hanlon	B25H 1/04

FOREIGN PATENT DOCUMENTS

KR	301162228.0000	*	5/2022
KR	301174873.0000	*	7/2022

OTHER PUBLICATIONS

“Fydeamer Easel TV Stand, Modern Easel TV Floor Stand, Artistic Corner TV Stand” May 24, 2023, Amazon, site visited Mar. 21, 2024: <https://www.amazon.ca/Fydeamer-Artistic-55-86inch-Screens-Adjustable/dp/B0C64PH6V8> (Year: 2023).*

(Continued)

Primary Examiner — Jack Reickel
Assistant Examiner — Russell Carnell Smith, Jr.
(74) *Attorney, Agent, or Firm* — Jose Cherson Weissbrot

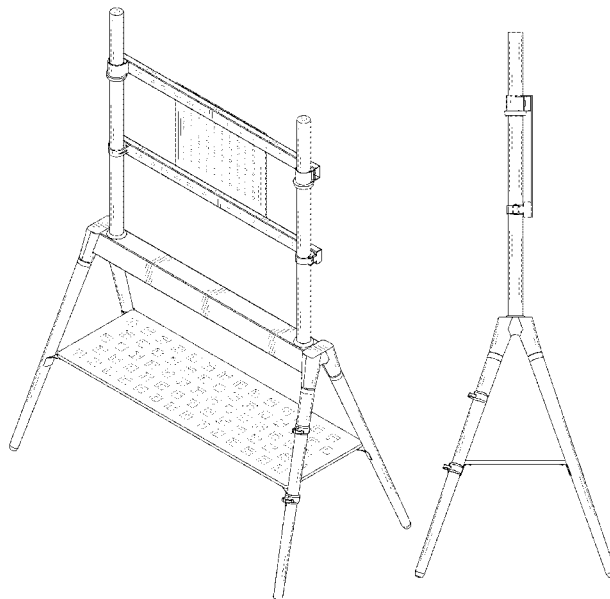
(57) **CLAIM**

The ornamental design for a TV stand, as shown and described.

DESCRIPTION

FIG. 1 is a first perspective view of a TV stand showing my new design;
FIG. 2 is a second perspective view thereof;
FIG. 3 is a front view thereof;
FIG. 4 is a back view thereof;
FIG. 5 is a left side view thereof;
FIG. 6 is a right side view thereof;
FIG. 7 is a top view thereof; and,
FIG. 8 is a bottom view thereof.
The broken lines shown in the drawings depict portions of the TV stand that form no part of the claimed design.

1 Claim, 8 Drawing Sheets



(56)

References Cited

OTHER PUBLICATIONS

“Vivo Steel Easel 65 to 86 inch LED LCD Screen Modern Studio TV Display Stand” Nov. 15, 2022, Amazon, site visited Mar. 21, 2024: <https://www.amazon.ca/dp/B0BMD4P6Y5> (Year: 2022).*

“Tripp Lite Portable 49 to 70 inch Universal TV Monitor Stand” Aug. 2, 2021, Amazon, site visited Mar. 21, 2024: <https://www.amazon.com/Tripp-Lite-Portable-Universal-DMPDS4970/dp/B09BP4H36X> (Year: 2021).*

“Mygift Modern TV Stand with Shelf for Flat Screens, Minimalist Metal and Beech Wood Television Mount Stand” Mar. 2, 2023, Amazon, site visited Mar. 21, 2024: <https://www.amazon.com/dp/B0BXBB8W81> (Year: 2023).*

* cited by examiner

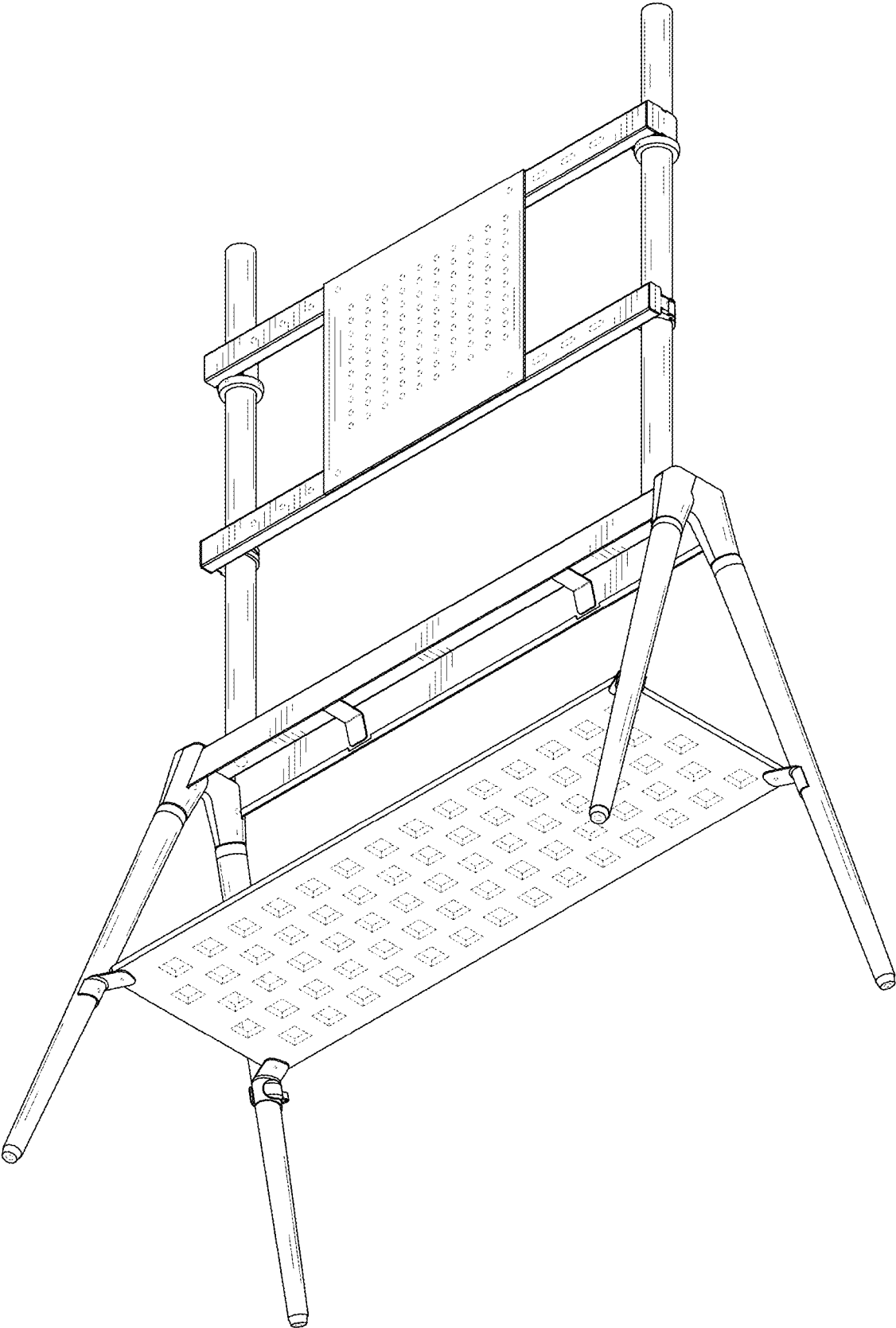


FIG. 1

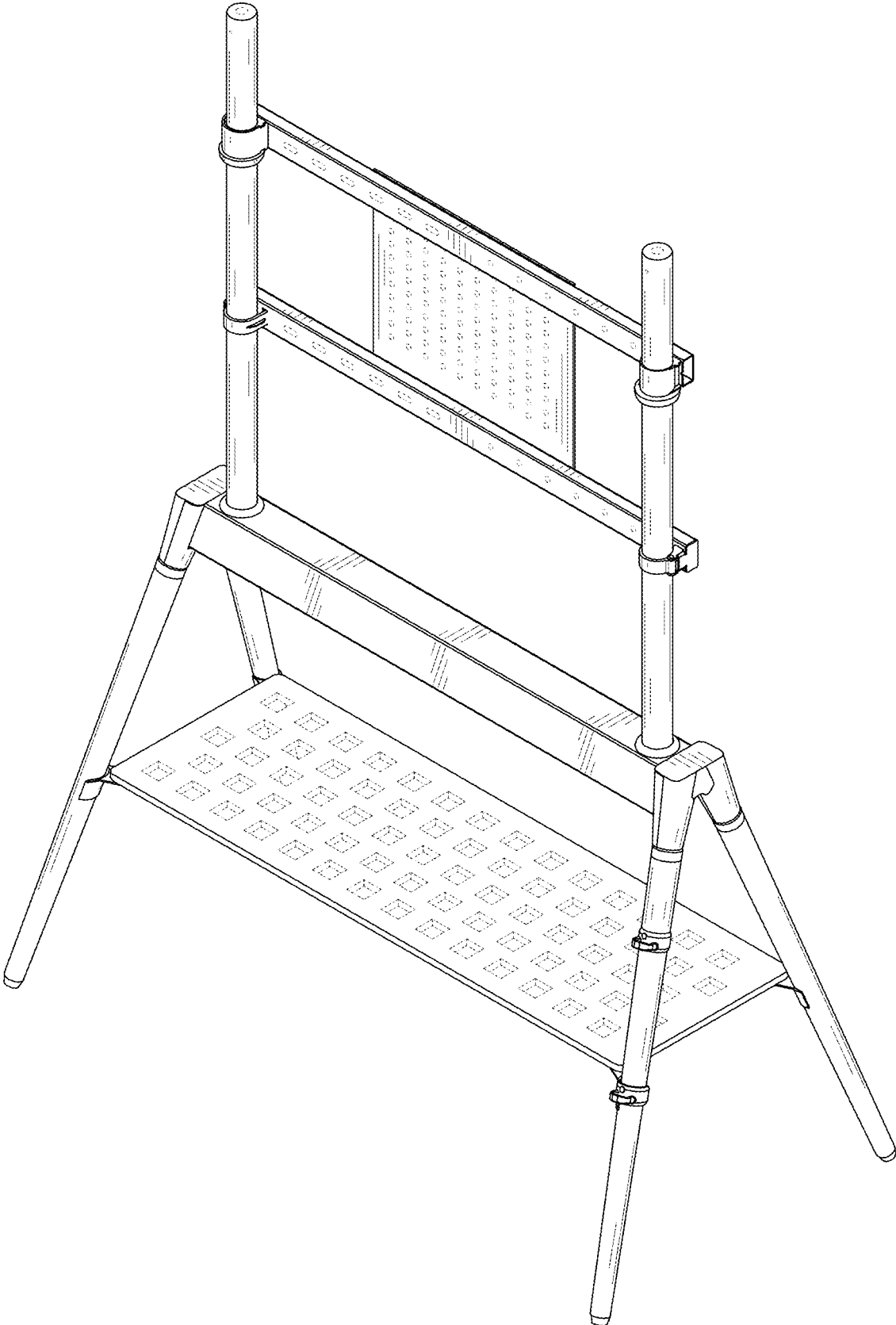


FIG. 2

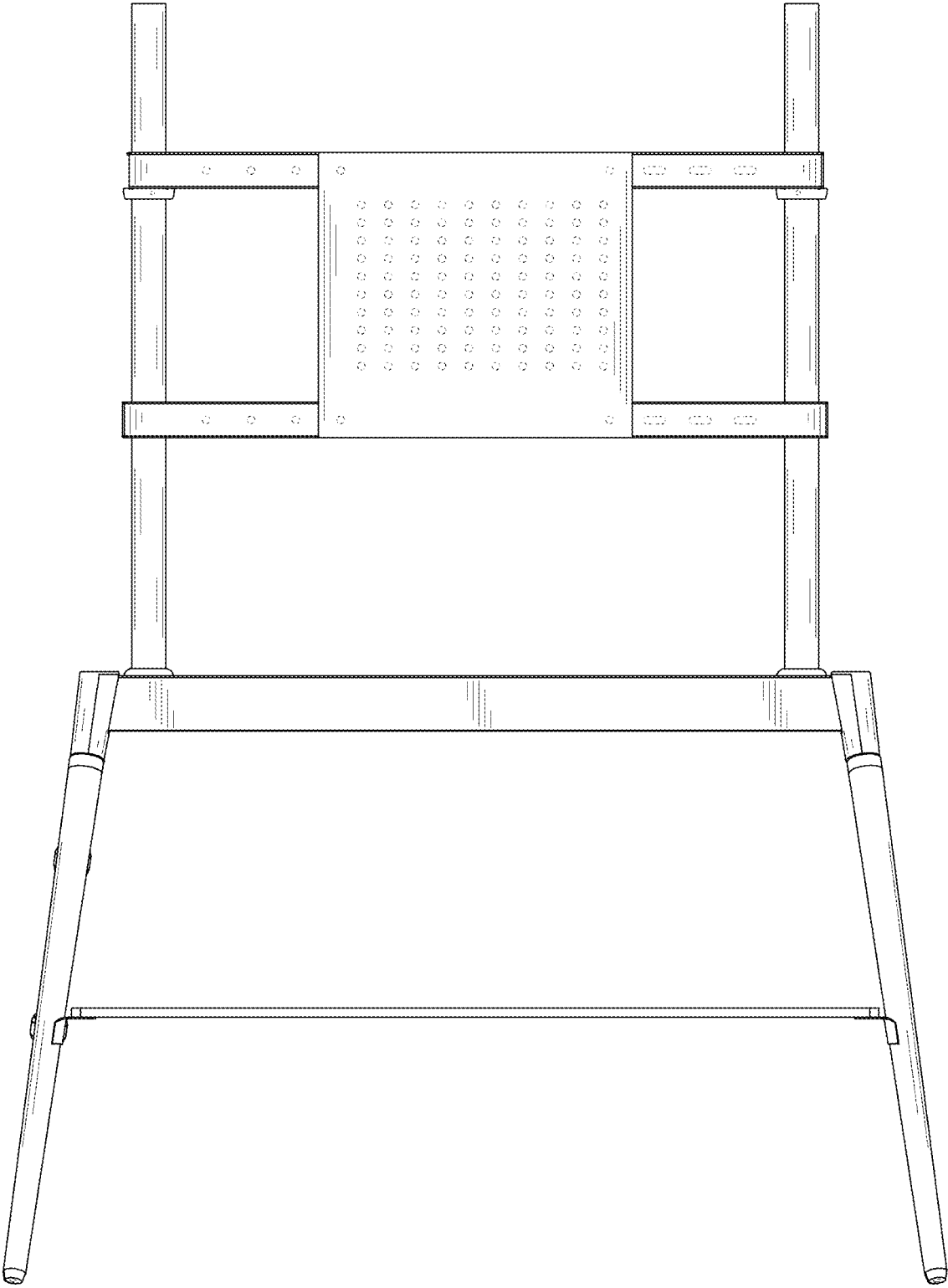


FIG. 3

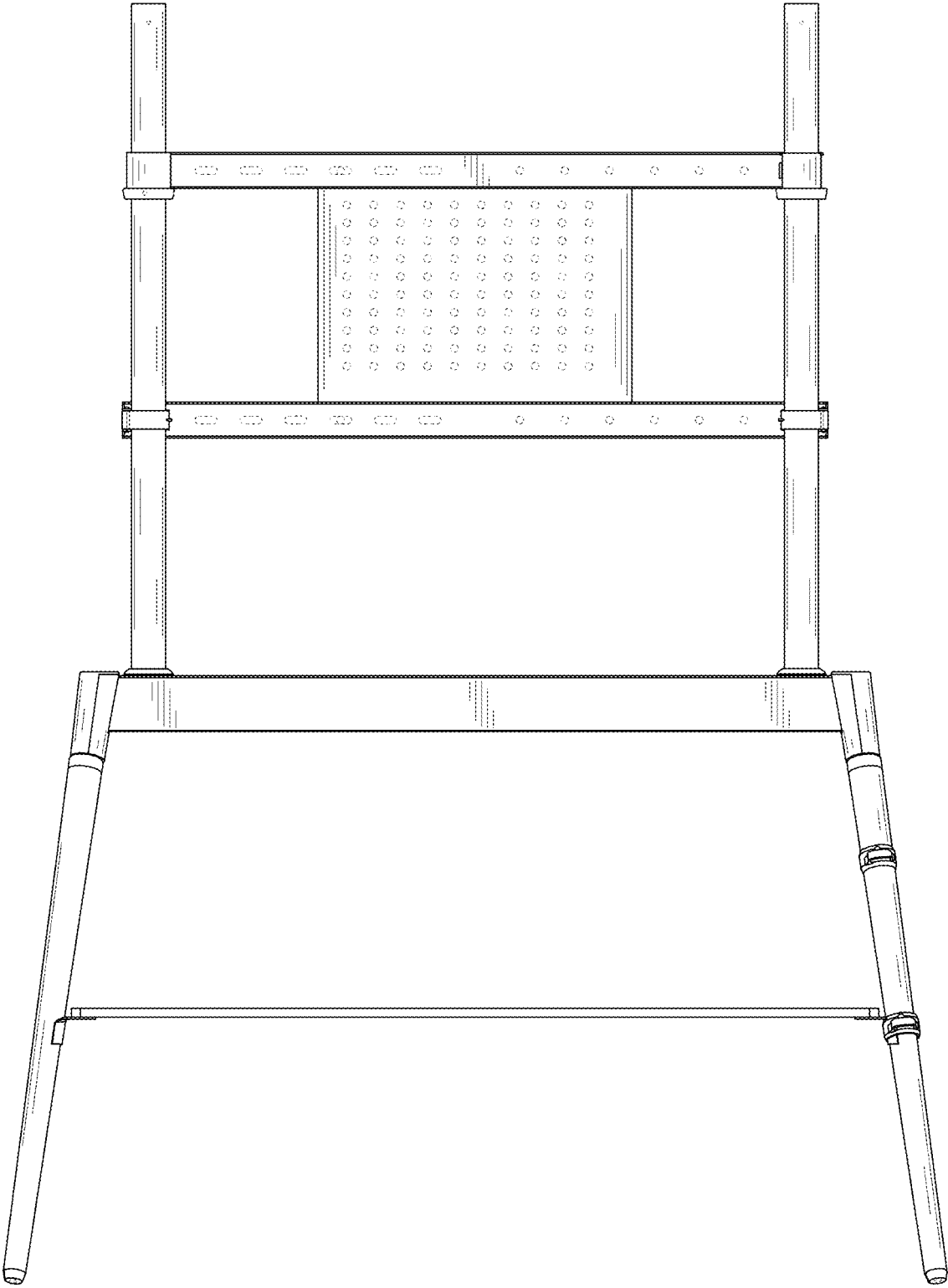


FIG. 4

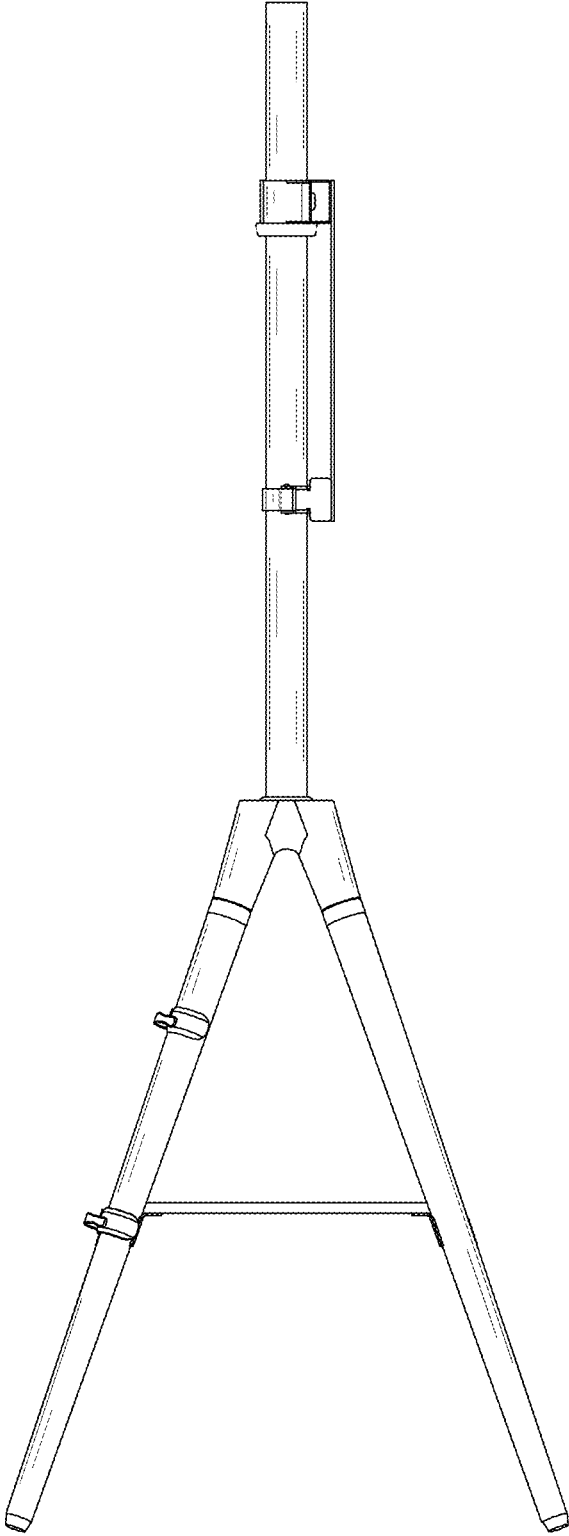


FIG. 5

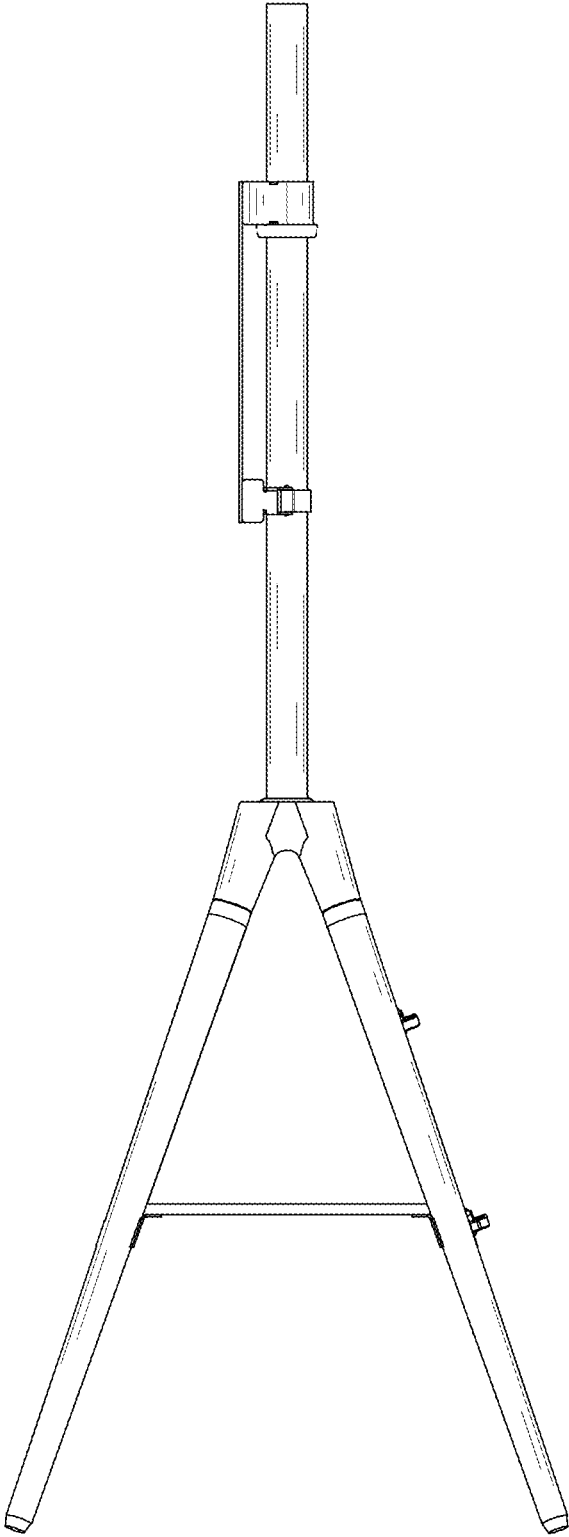


FIG. 6

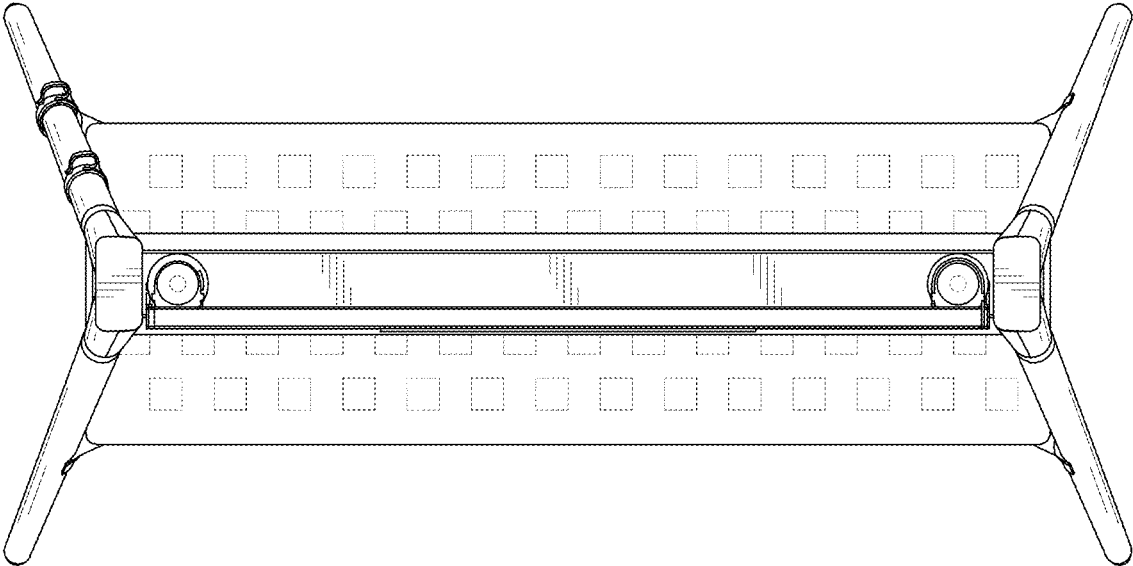


FIG. 7

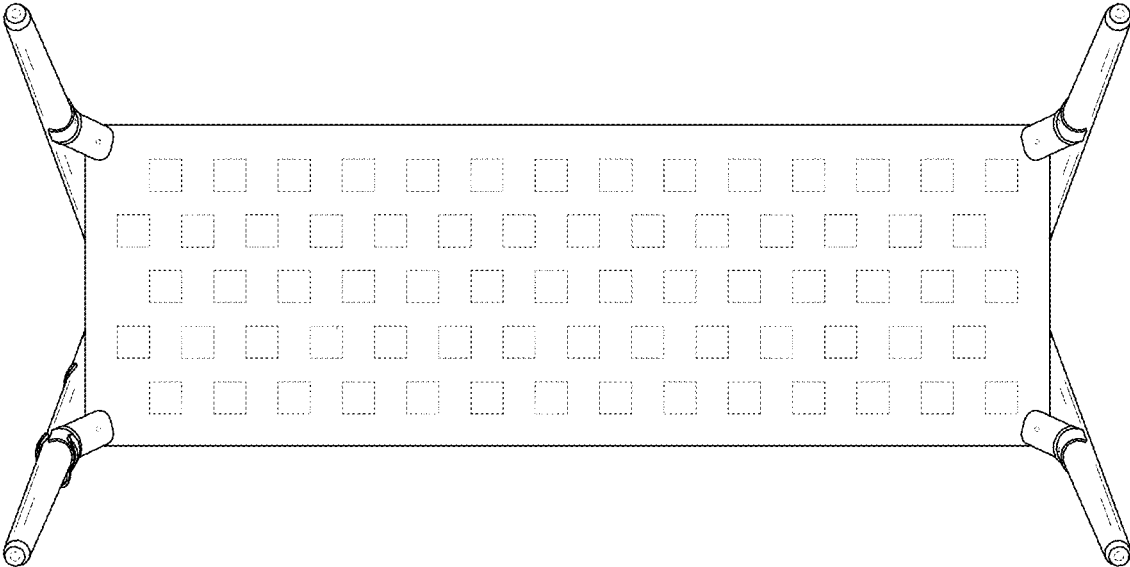


FIG. 8