



US00D790339S

(12) **United States Design Patent**  
**Samartgis**

(10) **Patent No.:** **US D790,339 S**

(45) **Date of Patent:** **\*\* \*Jun. 27, 2017**

- (54) **INTEGRAL LID AND SEAL FOR CONTAINER**
- (71) Applicant: **The Decor Corporation Pty Ltd., Scoresby (AU)**
- (72) Inventor: **Jim Samartgis, Scoresby (AU)**
- (73) Assignee: **The Decor Corporation Pty Ltd., Scoresby, Victoria (AU)**
- (\* ) Notice: This patent is subject to a terminal disclaimer.
- (\*\*) Term: **14 Years**
- (21) Appl. No.: **29/512,902**
- (22) Filed: **Dec. 23, 2014**
- (51) **LOC (10) Cl.** ..... **09-07**
- (52) **U.S. Cl.**  
USPC ..... **D9/443**
- (58) **Field of Classification Search**  
USPC ..... D3/201, 202, 203.1; D24/121, 199; D7/300, 300.1, 302, 303, 305, 308, 321, D7/601, 602, 615, 703, 708.1, 619.1, 633, D7/387, 396.1, 396.2, 500, 509, 510, 511, D7/533, 536; D9/434, 435, 436, 440, D9/442, 444, 445, 447, 449, 453, 454, D9/446, 443, 723, 725, 728  
CPC ..... A45D 34/00; B65D 41/00; B65D 83/00; B65D 51/005; B65D 47/14; B65D 47/12; B65D 41/04; B65D 25/42; B65D 51/20  
See application file for complete search history.

- D220,448 S 4/1971 Swett et al.
- D224,553 S 8/1972 Swett et al.
- D224,554 S 8/1972 Swett
- D229,916 S 1/1974 Schneider
- D232,703 S 9/1974 Konzi
- D234,568 S 3/1975 Swett
- D240,114 S 6/1976 Martinelli

(Continued)

*Primary Examiner* — Robert M Spear  
*Assistant Examiner* — Marissa J Cash  
(74) *Attorney, Agent, or Firm* — Cook Alex Ltd.

(57) **CLAIM**

The ornamental design for an integral lid and seal for a container, as shown and described.

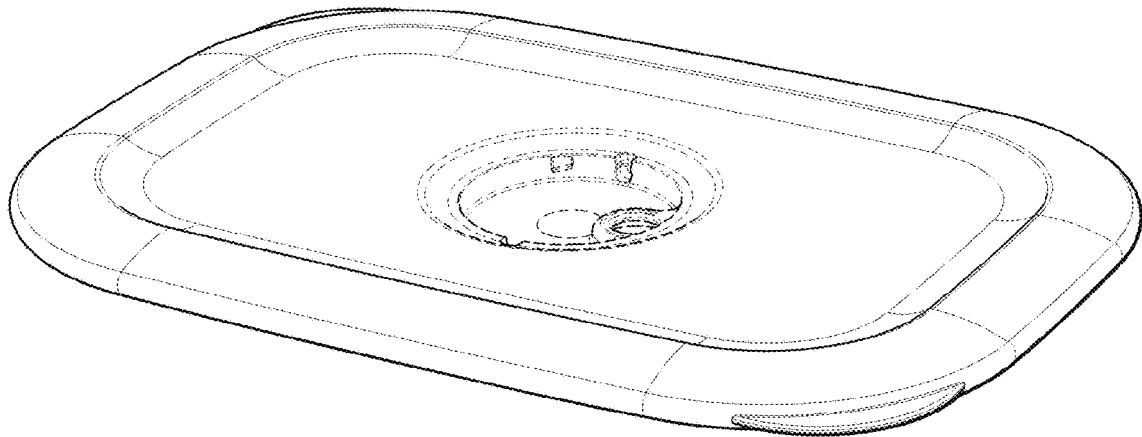
**DESCRIPTION**

FIG. 1 is a front perspective view, from above, of the claimed design;  
 FIG. 2 is a rear perspective view, from below, of the claimed design;  
 FIG. 3 is a top plan view of the claimed design;  
 FIG. 4 is a bottom plan view of the claimed design;  
 FIG. 5 is a front elevational view of the claimed design, the rear elevational view being a mirror image;  
 FIG. 6 is a left side elevational view of the claimed design, the right side elevational view being a mirror image;  
 FIG. 7 is a sectional view of the claimed design taken along the line 7-7 of FIG. 3;  
 FIG. 8 is an enlarged fragmentary view of the portion of the design designated by the discontinuous circle and the number 8 in FIG. 7;  
 FIG. 9 is a sectional view of the claimed design taken along the line 9-9 of FIG. 3; and,  
 FIG. 10 is an enlarged fragmentary view of the portion of the design designated by discontinuous circle and the number 10 in FIG. 9.

The purpose of broken lines in the drawing is to illustrate an optional vent that forms no part of the design to be patented.

**1 Claim, 8 Drawing Sheets**

- (56) **References Cited**  
**U.S. PATENT DOCUMENTS**  
  
3,357 A 2/1869 Pratt  
D117,714 S 11/1939 Guttman  
D170,104 S 7/1953 Zabel et al.  
3,384,263 A 5/1968 Bernstein



(56)

References Cited

U.S. PATENT DOCUMENTS

D241,599 S	9/1976	Croyle et al.	D571,200 S	6/2008	Bouveret et al.	
D241,703 S	10/1976	Ashton	D584,145 S	1/2009	Young	
D267,703 S	1/1983	Chase et al.	D588,914 S	3/2009	Laurieu-Tedeschi	
D285,906 S	9/1986	Tyler	D593,855 S	6/2009	Scheve	
D287,573 S	1/1987	Tyler	D612,723 S *	3/2010	Bougoulas .....	D9/435
D289,719 S	5/1987	Daenen et al.	D642,049 S	7/2011	Samartgis	
D330,660 S	11/1992	Newton et al.	D642,050 S	7/2011	Samartgis	
D351,791 S	10/1994	Morris, Sr.	D642,051 S	7/2011	Samartgis	
D354,655 S	1/1995	Daenen et al.	D642,052 S	7/2011	Samartgis	
D358,328 S	5/1995	Huerto et al.	D642,053 S	7/2011	Samartgis	
D365,273 S	12/1995	Indekeu	D642,054 S	7/2011	Samartgis	
D375,654 S	11/1996	Ferris	D642,457 S	8/2011	Samartgis	
D403,582 S	1/1999	Nask et al.	D642,458 S	8/2011	Samartgis	
D403,583 S	1/1999	Nask et al.	D642,459 S	8/2011	Samartgis	
D446,117 S	8/2001	Conti	D642,460 S	8/2011	Samartgis	
D521,380 S *	5/2006	Jackson .....	D642,461 S	8/2011	Samartgis	
D536,248 S	2/2007	Lesquir	D642,462 S	8/2011	Samartgis	
D540,669 S	4/2007	George et al.	D642,861 S	8/2011	Samartgis	
			D652,297 S *	1/2012	Dunwoody .....	D9/435
			D656,021 S *	3/2012	Dunn .....	D9/435
			D738,208 S *	9/2015	Diehl .....	D9/435

\* cited by examiner

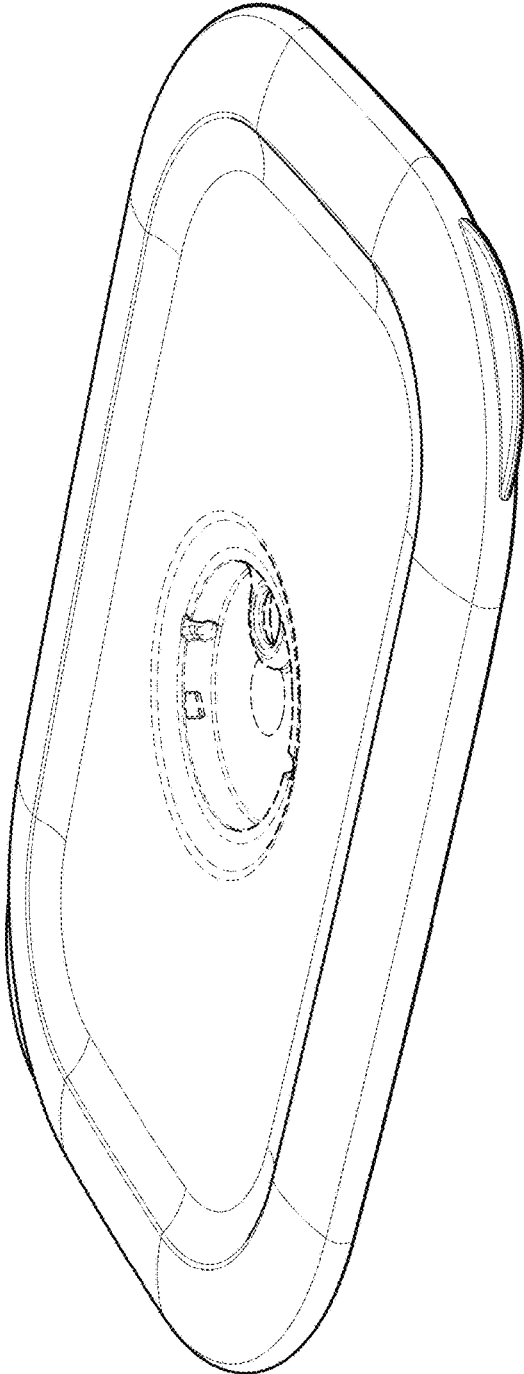


FIG. 1

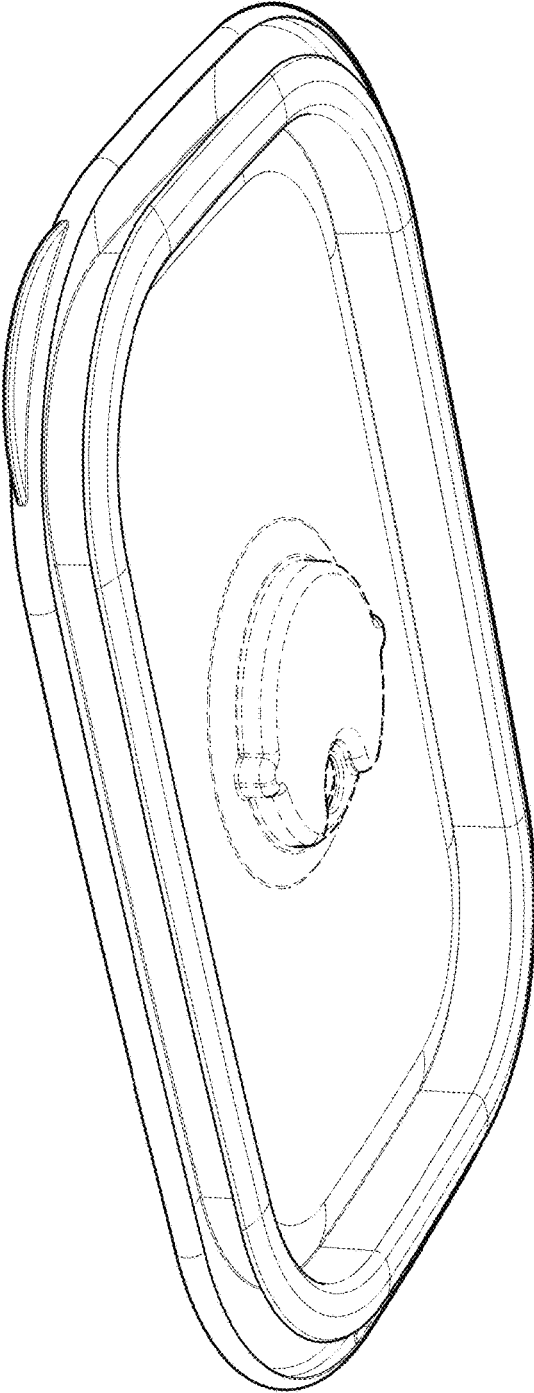


FIG. 2

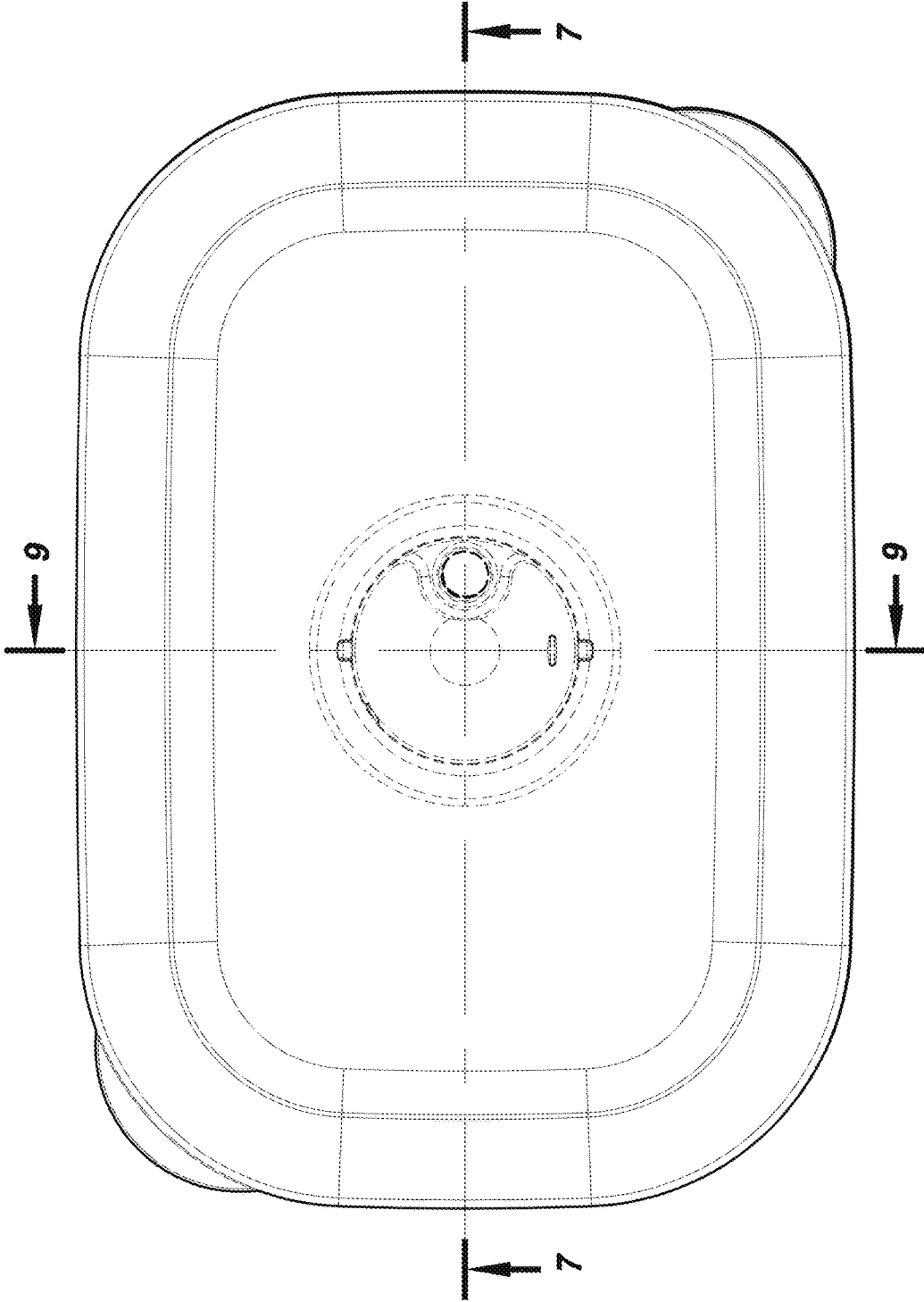


FIG. 3

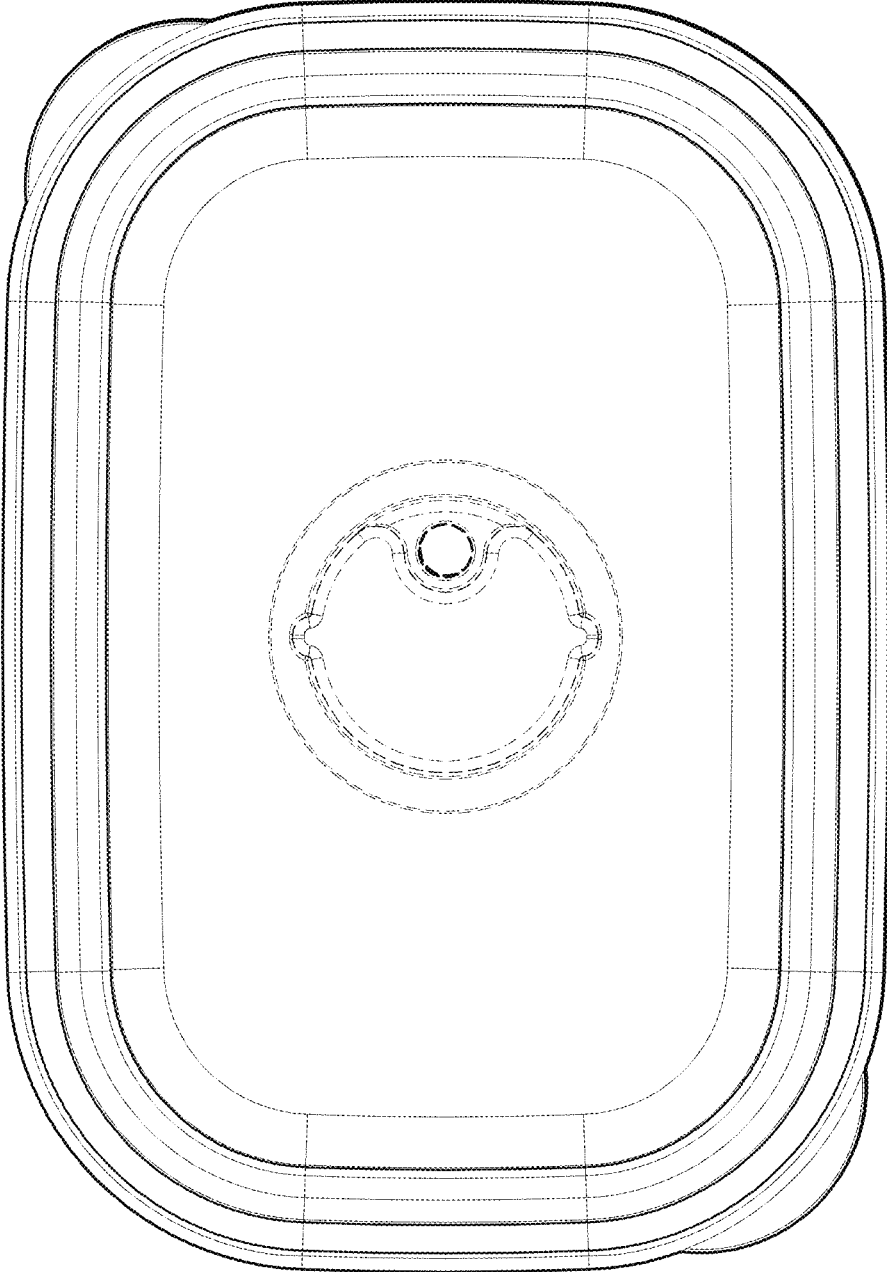
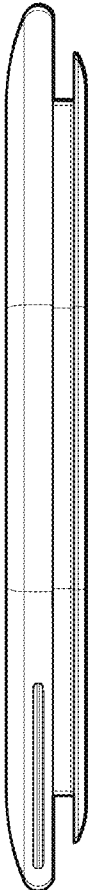


FIG. 4



FIG. 5



**FIG. 6**



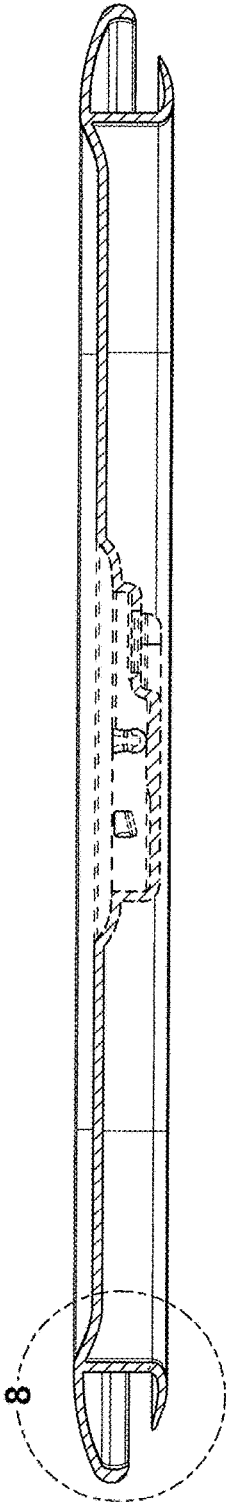


FIG. 7

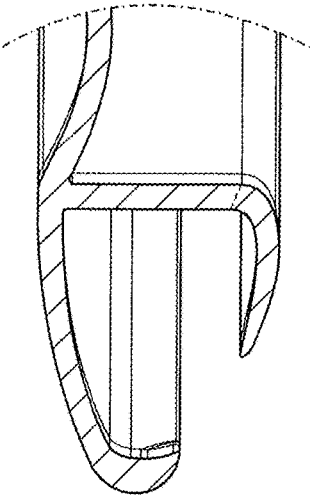


FIG. 8

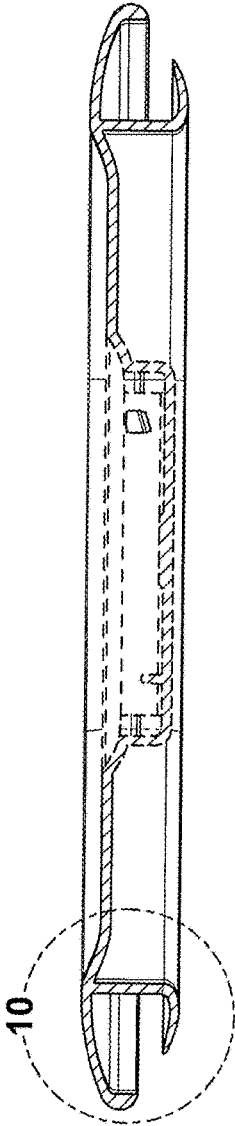


FIG. 9

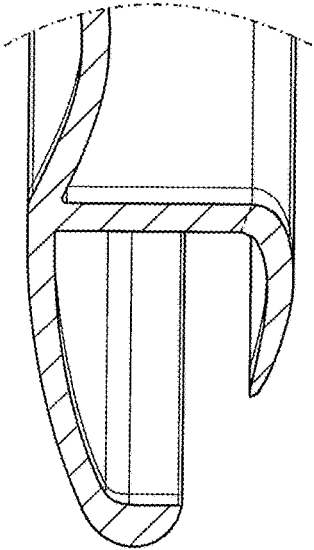


FIG. 10