



US00D714853S

(12) **United States Design Patent**  
**Imafuji et al.**

(10) **Patent No.:** **US D714,853 S**

(45) **Date of Patent:** **\*\* Oct. 7, 2014**

(54) **ELECTRONIC FLASH DEVICE**

(75) Inventors: **Kazuharu Imafuji**, Tokyo (JP); **Akihiro Ozone**, Yokohama (JP); **Yasuyuki Motoki**, Yokohama (JP); **Akihiro Sugiyama**, Kawasaki (JP)

(73) Assignee: **Nikon Corporation**, Tokyo (JP)

(\*\*) Term: **14 Years**

(21) Appl. No.: **29/432,095**

(22) Filed: **Sep. 13, 2012**

(30) **Foreign Application Priority Data**

Mar. 15, 2012 (JP) ..... 2012-005912

(51) **LOC (10) Cl.** ..... **16-05**

(52) **U.S. Cl.**

USPC ..... **D16/239**

(58) **Field of Classification Search**

USPC ..... D10/67, 102, 103; D13/180, 182;  
D14/217, 257, 432, 471; D16/134,  
D16/200, 208, 218, 219, 237, 239, 240, 242,  
D16/243, 244, 245, 250; D26/37, 38;  
348/370, 373-375; 362/1-18, 255,  
362/277, 280-283, 287, 322, 323, 612;  
396/155, 171, 180, 182, 200, 540, 541,  
396/544

See application file for complete search history.

(56) **References Cited**

**U.S. PATENT DOCUMENTS**

D250,475 S \* 12/1978 Kando ..... D16/240  
D263,720 S \* 4/1982 Takematsu ..... D16/240  
D264,221 S \* 5/1982 Schlagheck et al. .... D16/240  
D271,306 S \* 11/1983 Shull ..... D16/240

D273,013 S \* 3/1984 Takematsu ..... D16/240  
D453,351 S \* 2/2002 Kitera ..... D16/240  
D577,053 S \* 9/2008 Watanabe ..... D16/240  
D651,231 S \* 12/2011 Izumi et al. .... D16/237

**FOREIGN PATENT DOCUMENTS**

JP D1463361 \* 8/2012

\* cited by examiner

*Primary Examiner* — Susan Bennett Hattan

*Assistant Examiner* — Leanne Was

(74) *Attorney, Agent, or Firm* — Wolf, Greenfield & Sacks, P.C.; Randy J. Pritzker

(57) **CLAIM**

The ornamental design for an electronic flash device, as shown and described.

**DESCRIPTION**

FIG. 1 is a front perspective view of an electronic flash device showing our new design;

FIG. 2 is a front view thereof;

FIG. 3 is a bottom plan view thereof;

FIG. 4 is an enlarged view of FIG. 1;

FIG. 5 is an enlarged view of FIG. 2;

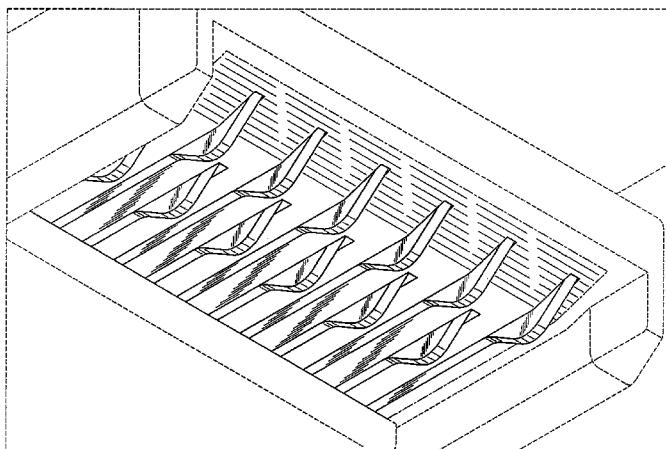
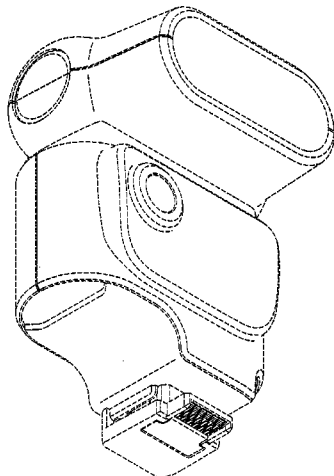
FIG. 6 is an enlarged view of FIG. 3;

FIG. 7 is a cross-sectional view taken along line 7-7 in FIG. 5 with the internal structure simplified; and,

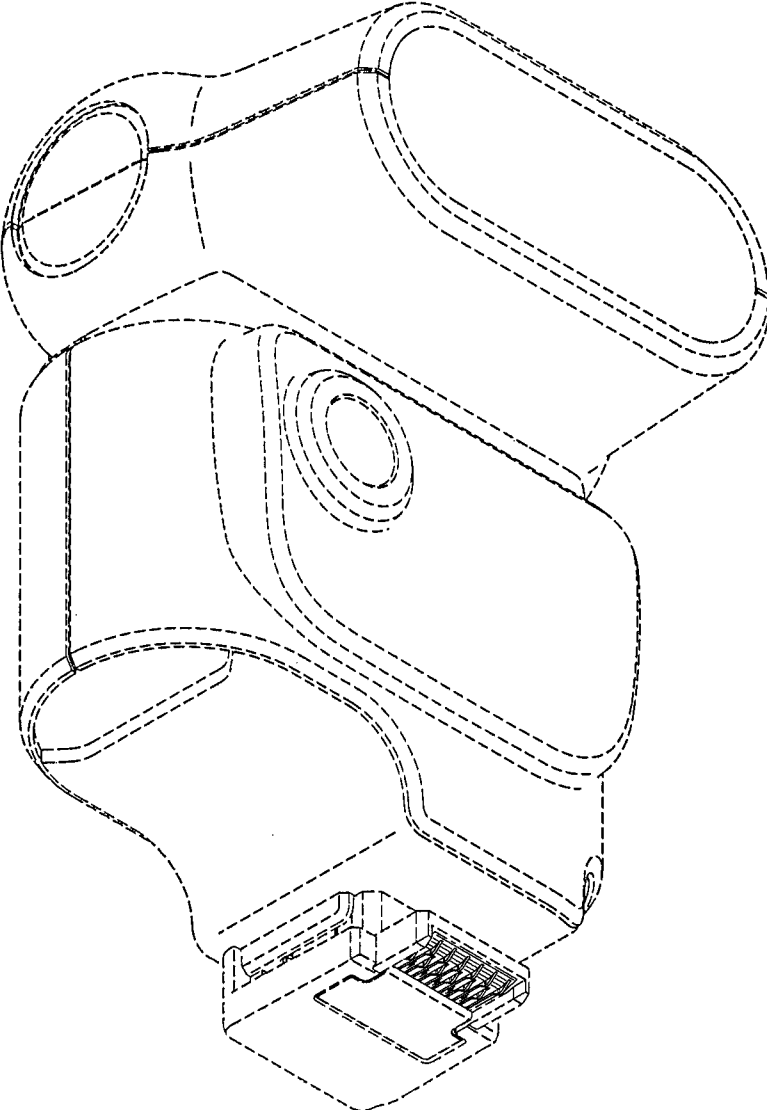
FIG. 8 is a cross-sectional view taken along line 8-8 in FIG. 5 with the internal structure simplified.

The features shown in broken lines in the drawings depict environmental subject matter only and form no part of the claimed design. The dot-dashed lines define the boundaries of the claimed design and form no part thereof.

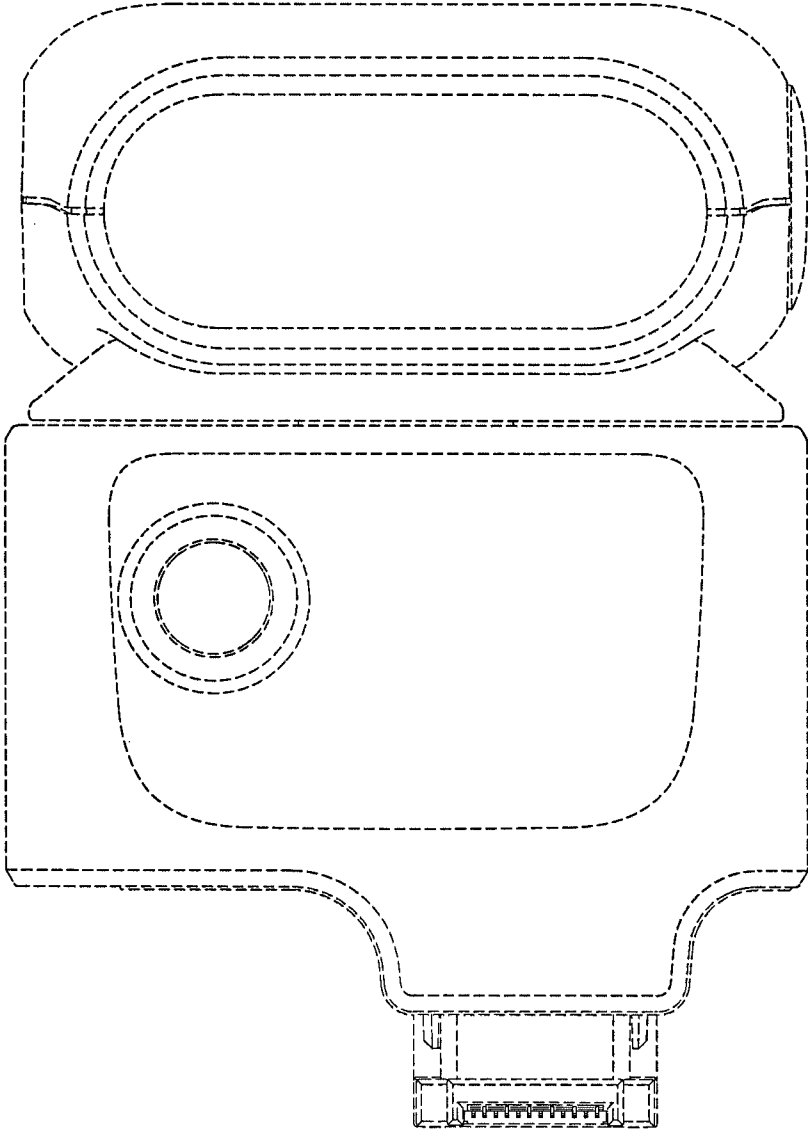
**1 Claim, 8 Drawing Sheets**



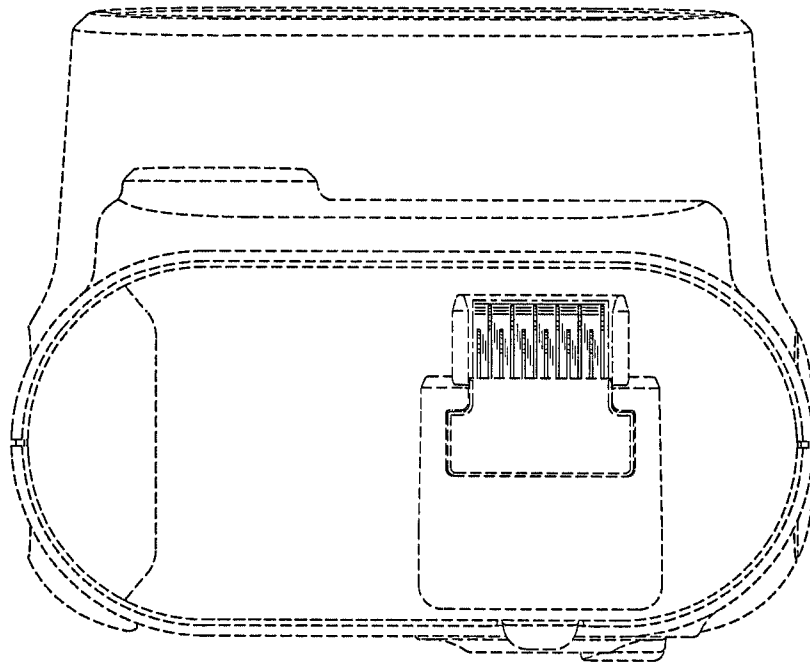
**FIG. 1**



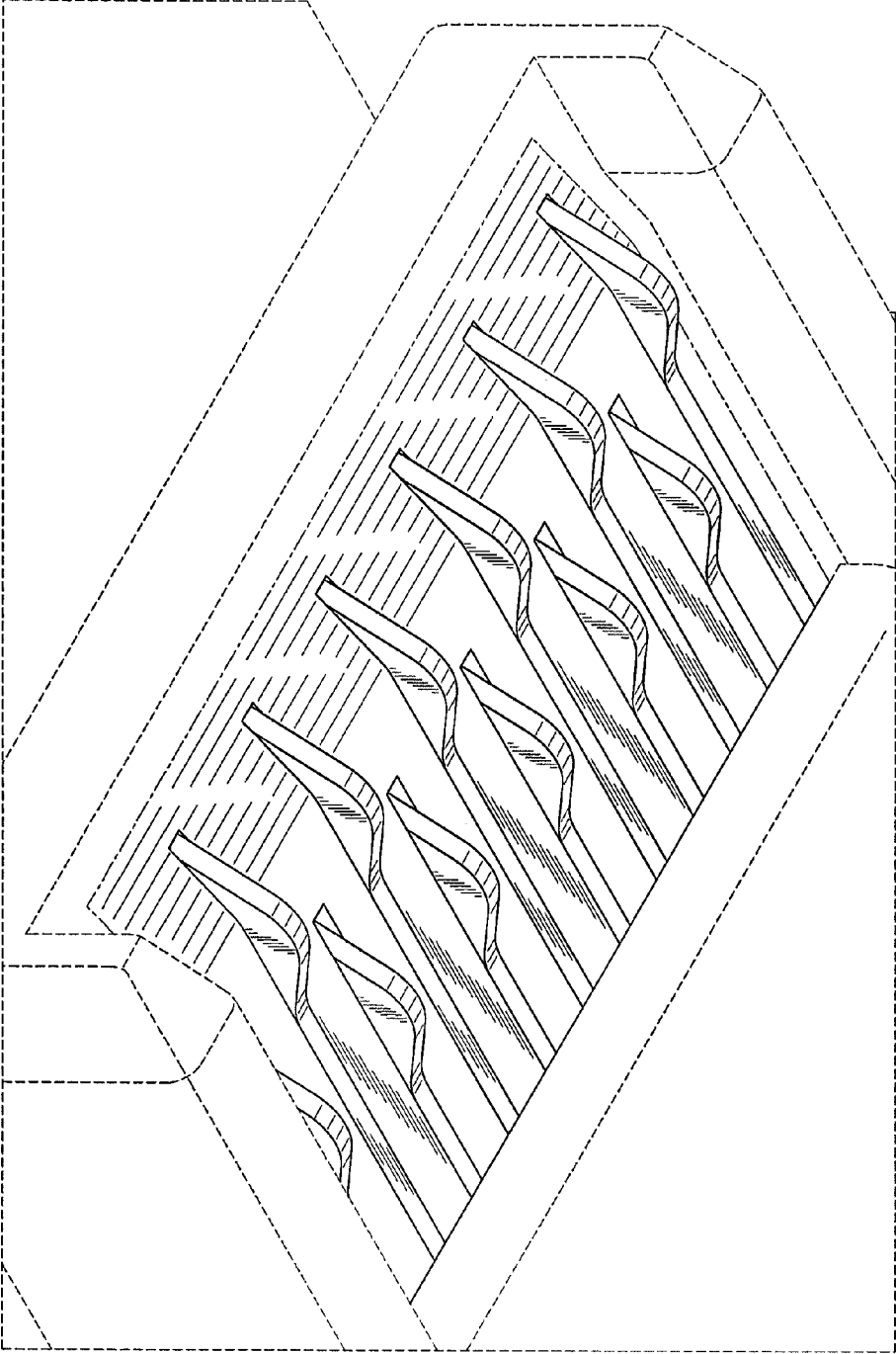
**FIG. 2**



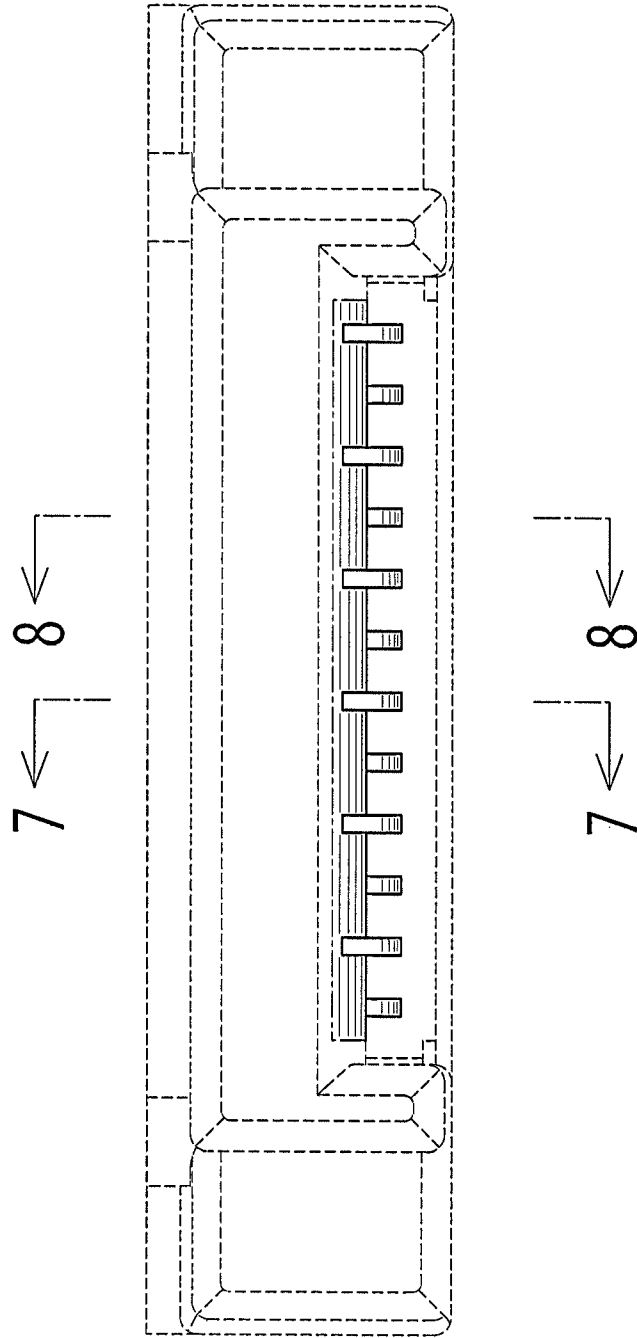
**FIG. 3**



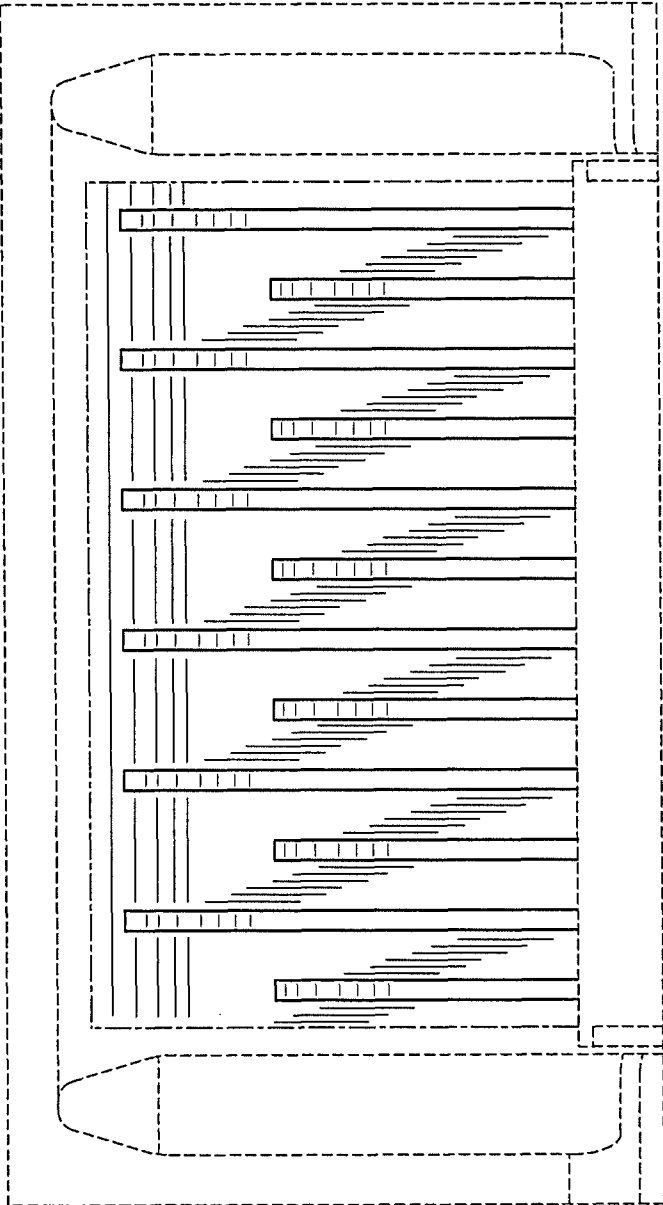
**FIG. 4**



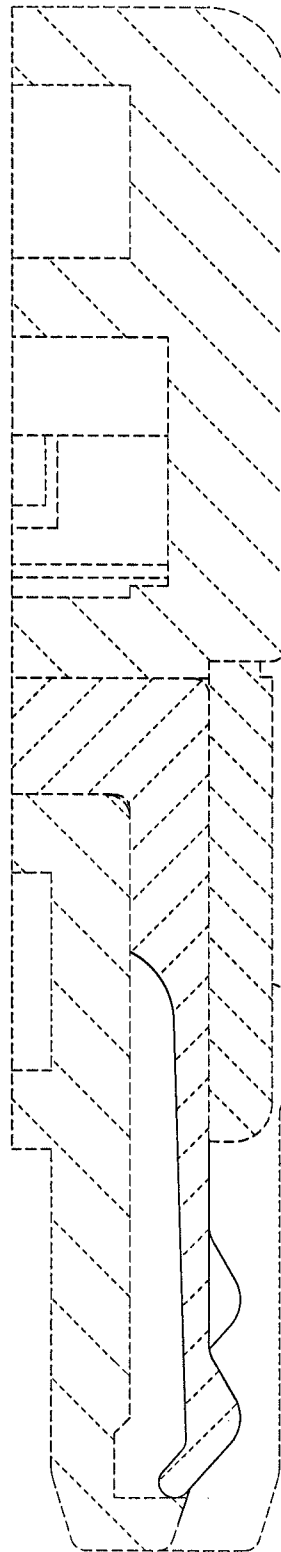
**FIG. 5**



*FIG. 6*



**FIG. 7**



*FIG. 8*

