



(43) International Publication Date
14 August 2014 (14.08.2014)

(51) International Patent Classification:

B65D 47/08 (2006.01) *B65D 47/20* (2006.01)
B65D 55/02 (2006.01)

(21) International Application Number:

PCT/GB2014/050387

(22) International Filing Date:

10 February 2014 (10.02.2014)

(25) Filing Language:

English

(26) Publication Language:

English

(30) Priority Data:

1302287.6	8 February 2013 (08.02.2013)	GB
1307021.4	18 April 2013 (18.04.2013)	GB
1308042.9	3 May 2013 (03.05.2013)	GB

(71) Applicant: **OBRIST CLOSURES SWITZERLAND GMBH** [—/CH]; Romerstrasse 83, CH-4153 Reinach (CH).

(72) Inventors: **ROGNARD, Jean-Yves**; Route de Charney, F-69480 Marcy-sur-Anse (FR). **BENOIT-GONIN, Claude**; 233, Route de la Chaize, F-69460 Odenas (FR).

(74) Agents: **BRYERS LLP** et al.; 7 Gay Street, Bath, Bath and North East Somerset BA1 2PH (GB).

(81) Designated States (unless otherwise indicated, for every kind of national protection available): AE, AG, AL, AM, AO, AT, AU, AZ, BA, BB, BG, BH, BN, BR, BW, BY, BZ, CA, CH, CL, CN, CO, CR, CU, CZ, DE, DK, DM, DO, DZ, EC, EE, EG, ES, FI, GB, GD, GE, GH, GM, GT, HN, HR, HU, ID, IL, IN, IR, IS, JP, KE, KG, KN, KP, KR, KZ, LA, LC, LK, LR, LS, LT, LU, LY, MA, MD, ME, MG, MK, MN, MW, MX, MY, MZ, NA, NG, NI, NO, NZ, OM, PA, PE, PG, PH, PL, PT, QA, RO, RS, RU, RW, SA, SC, SD, SE, SG, SK, SL, SM, ST, SV, SY, TH, TJ, TM, TN, TR, TT, TZ, UA, UG, US, UZ, VC, VN, ZA, ZM, ZW.

(84) Designated States (unless otherwise indicated, for every kind of regional protection available): ARIPO (BW, GH, GM, KE, LR, LS, MW, MZ, NA, RW, SD, SL, SZ, TZ, UG, ZM, ZW), Eurasian (AM, AZ, BY, KG, KZ, RU, TJ, TM), European (AL, AT, BE, BG, CH, CY, CZ, DE, DK, EE, ES, FI, FR, GB, GR, HR, HU, IE, IS, IT, LT, LU, LV, MC, MK, MT, NL, NO, PL, PT, RO, RS, SE, SI, SK, SM, TR), OAPI (BF, BJ, CF, CG, CI, CM, GA, GN, GQ, GW, KM, ML, MR, NE, SN, TD, TG).

Published:

— with international search report (Art. 21(3))

[Continued on next page]

(54) Title: MEANS TO HOLD A LID OPEN

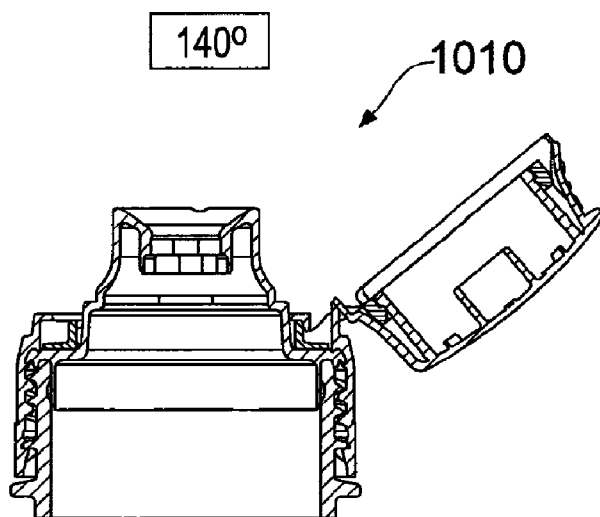


FIG. 96

(57) Abstract: A closure (1010) is provided and comprises a base (1012) and a lid (1014), the base and lid being joined by a double hinge arrangement (1032) so that the lid is movable between a closed position and an open position, the double hinge arrangement comprising a first hinge and a second hinge, in which the closure comprises holding means (1096, 1098) for holding or causing the lid to be held stably in the open position.





— *before the expiration of the time limit for amending the claims and to be republished in the event of receipt of amendments (Rule 48.2(h))*

(88) Date of publication of the international search report:
18 December 2014

INTERNATIONAL SEARCH REPORT

International application No
PCT/GB2014/050387

A. CLASSIFICATION OF SUBJECT MATTER
INV. B65D47/08 B65D55/02 B65D47/20
ADD.
According to International Patent Classification (IPC) or to both national classification and IPC

B. FIELDS SEARCHED
Minimum documentation searched (classification system followed by classification symbols)
B65D
Documentation searched other than minimum documentation to the extent that such documents are included in the fields searched

Electronic data base consulted during the international search (name of data base and, where practicable, search terms used)
EPO-Internal, WPI Data

C. DOCUMENTS CONSIDERED TO BE RELEVANT		
Category*	Citation of document, with indication, where appropriate, of the relevant passages	Relevant to claim No.
X	US 2010/102022 A1 (KUWAHARA KATSUHITO [JP] ET AL) 29 April 2010 (2010-04-29) paragraphs [0038], [0061], [0062], [0066], [0069], [0070], [0071]; figures 1,2,4,10	1-27, 31-35,37
X	US 2010/065589 A1 (SKILLIN CLIFFORD W [US]) 18 March 2010 (2010-03-18) paragraph [0093]; figures 31-33	1-8, 14-16, 18-27, 31-35,37
X	US 2006/016776 A1 (BARRE BERTRAND [FR] ET AL) 26 January 2006 (2006-01-26) figures 11, 12 ,16,17 ----- -/--	2,6

Further documents are listed in the continuation of Box C.

See patent family annex.

* Special categories of cited documents :

"A" document defining the general state of the art which is not considered to be of particular relevance	"T" later document published after the international filing date or priority date and not in conflict with the application but cited to understand the principle or theory underlying the invention
"E" earlier application or patent but published on or after the international filing date	"X" document of particular relevance; the claimed invention cannot be considered novel or cannot be considered to involve an inventive step when the document is taken alone
"L" document which may throw doubts on priority claim(s) or which is cited to establish the publication date of another citation or other special reason (as specified)	"Y" document of particular relevance; the claimed invention cannot be considered to involve an inventive step when the document is combined with one or more other such documents, such combination being obvious to a person skilled in the art
"O" document referring to an oral disclosure, use, exhibition or other means	"&" document member of the same patent family
"P" document published prior to the international filing date but later than the priority date claimed	

Date of the actual completion of the international search 22 May 2014	Date of mailing of the international search report 17/10/2014
--	--

Name and mailing address of the ISA/ European Patent Office, P.B. 5818 Patentlaan 2 NL - 2280 HV Rijswijk Tel. (+31-70) 340-2040, Fax: (+31-70) 340-3016	Authorized officer Sundell, Olli
--	-------------------------------------

INTERNATIONAL SEARCH REPORT

International application No
PCT/GB2014/050387

C(Continuation). DOCUMENTS CONSIDERED TO BE RELEVANT		
Category*	Citation of document, with indication, where appropriate, of the relevant passages	Relevant to claim No.
A	US 2005/087550 A1 (SKILLIN CLIFFORD W [US] SKILLIN CLIFFORD [US]) 28 April 2005 (2005-04-28) paragraphs [0054], [0059]; figures 12,14 paragraph [0059] -----	9
A	US 2008/011703 A1 (SCHMEISSER WILLIAM C [US] ET AL) 17 January 2008 (2008-01-17) figure 4 -----	12
A	US 5 335 802 A (BRACH ULRICH [DE] ET AL) 9 August 1994 (1994-08-09) figure 9 -----	12

INTERNATIONAL SEARCH REPORT

International application No.
PCT/GB2014/050387

Box No. II Observations where certain claims were found unsearchable (Continuation of item 2 of first sheet)

This international search report has not been established in respect of certain claims under Article 17(2)(a) for the following reasons:

1. Claims Nos.:
because they relate to subject matter not required to be searched by this Authority, namely:

2. Claims Nos.: 36
because they relate to parts of the international application that do not comply with the prescribed requirements to such an extent that no meaningful international search can be carried out, specifically:
see FURTHER INFORMATION sheet PCT/ISA/210

3. Claims Nos.:
because they are dependent claims and are not drafted in accordance with the second and third sentences of Rule 6.4(a).

Box No. III Observations where unity of invention is lacking (Continuation of item 3 of first sheet)

This International Searching Authority found multiple inventions in this international application, as follows:

see additional sheet

1. As all required additional search fees were timely paid by the applicant, this international search report covers all searchable claims.

2. As all searchable claims could be searched without effort justifying an additional fees, this Authority did not invite payment of additional fees.

3. As only some of the required additional search fees were timely paid by the applicant, this international search report covers only those claims for which fees were paid, specifically claims Nos.:

4. No required additional search fees were timely paid by the applicant. Consequently, this international search report is restricted to the invention first mentioned in the claims; it is covered by claims Nos.:
1-27, 31-35, 37

Remark on Protest

- The additional search fees were accompanied by the applicant's protest and, where applicable, the payment of a protest fee.
- The additional search fees were accompanied by the applicant's protest but the applicable protest fee was not paid within the time limit specified in the invitation.
- No protest accompanied the payment of additional search fees.

FURTHER INFORMATION CONTINUED FROM PCT/ISA/ 210

This International Searching Authority found multiple (groups of) inventions in this international application, as follows:

1. claims: 1-27, 31-35, 37

Means for holding a lid in open position

2. claims: 28-30

Tamper-evident member for a hinged lid

FURTHER INFORMATION CONTINUED FROM PCT/ISA/ 210

Continuation of Box II.2

Claims Nos.: 36

Claim 36 was not searched, because it contravenes Rule 6.2(a) PCT. No written opinion is given on the subject-matter of claim 36, because claim 36 was not searched.

The applicant's attention is drawn to the fact that claims relating to inventions in respect of which no international search report has been established need not be the subject of an international preliminary examination (Rule 66.1(e) PCT). The applicant is advised that the EPO policy when acting as an International Preliminary Examining Authority is normally not to carry out a preliminary examination on matter which has not been searched. This is the case irrespective of whether or not the claims are amended following receipt of the search report or during any Chapter II procedure. If the application proceeds into the regional phase before the EPO, the applicant is reminded that a search may be carried out during examination before the EPO (see EPO Guidelines C-IV, 7.2), should the problems which led to the Article 17(2) declaration be overcome.

INTERNATIONAL SEARCH REPORT

Information on patent family members

International application No PCT/GB2014/050387

Patent document cited in search report	Publication date	Patent family member(s)	Publication date
US 2010102022	A1	29-04-2010	
		AU 2008292545	A1 05-03-2009
		AU 2011202432	A1 16-06-2011
		CA 2688356	A1 05-03-2009
		CN 101678928	A 24-03-2010
		CN 102431708	A 02-05-2012
		EP 2184235	A1 12-05-2010
		EP 2641843	A1 25-09-2013
		KR 20100022967	A 03-03-2010
		KR 20120041271	A 30-04-2012
		US 2010102022	A1 29-04-2010
		WO 2009028491	A1 05-03-2009

US 2010065589	A1	18-03-2010	
		CA 2717438	A1 09-04-2011
		EP 2327632	A1 01-06-2011
		US 2010065589	A1 18-03-2010

US 2006016776	A1	26-01-2006	NONE

US 2005087550	A1	28-04-2005	
		CA 2484412	A1 09-04-2005
		DE 102004049633	A1 23-06-2005
		GB 2407086	A 20-04-2005
		US 2005087550	A1 28-04-2005
		US 2007138124	A1 21-06-2007

US 2008011703	A1	17-01-2008	NONE

US 5335802	A	09-08-1994	
		CH 683611	A5 15-04-1994
		DE 59202222	D1 22-06-1995
		EP 0532471	A1 17-03-1993
		US 5335802	A 09-08-1994
