



- (51) **International Patent Classification:**  
*A61L 9/03* (2006.01) *A61L 9/12* (2006.01)
- (21) **International Application Number:**  
PCT/NL2015/050851
- (22) **International Filing Date:**  
9 December 2015 (09.12.2015)
- (25) **Filing Language:** English
- (26) **Publication Language:** English
- (30) **Priority Data:**  
2013945 9 December 2014 (09.12.2014) NL
- (71) **Applicant:** COMMON SENSE HOLDING B.V.  
[NL/NL]; Nieuwlandstraat 34d, 5038 SN Tilburg (NL).
- (72) **Inventor:** KUIJPER, Ewoud Kees; Nieuwlandstraat 34d,  
5038 SN Tilburg (NL).
- (74) **Agent:** GROOTSCHOLTEN, Johannes Antonius  
Maria; Bezuidenhoutseweg 57, 2594 AC Den Haag (NL).
- (81) **Designated States** (unless otherwise indicated, for every  
kind of national protection available): AE, AG, AL, AM,  
AO, AT, AU, AZ, BA, BB, BG, BH, BN, BR, BW, BY,  
BZ, CA, CH, CL, CN, CO, CR, CU, CZ, DE, DK, DM,

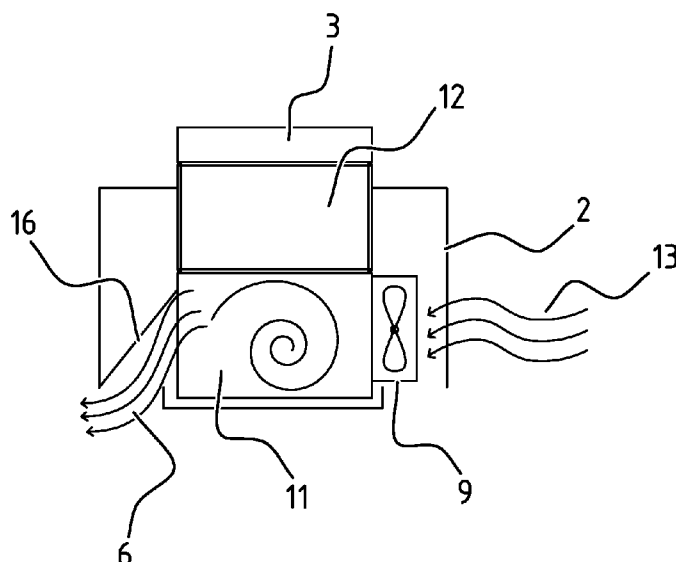
DO, DZ, EC, EE, EG, ES, FI, GB, GD, GE, GH, GM, GT,  
HN, HR, HU, ID, IL, IN, IR, IS, JP, KE, KG, KN, KP, KR,  
KZ, LA, LC, LK, LR, LS, LU, LY, MA, MD, ME, MG,  
MK, MN, MW, MX, MY, MZ, NA, NG, NI, NO, NZ, OM,  
PA, PE, PG, PH, PL, PT, QA, RO, RS, RU, RW, SA, SC,  
SD, SE, SG, SK, SL, SM, ST, SV, SY, TH, TJ, TM, TN,  
TR, TT, TZ, UA, UG, US, UZ, VC, VN, ZA, ZM, ZW.

(84) **Designated States** (unless otherwise indicated, for every  
kind of regional protection available): ARIPO (BW, GH,  
GM, KE, LR, LS, MW, MZ, NA, RW, SD, SL, ST, SZ,  
TZ, UG, ZM, ZW), Eurasian (AM, AZ, BY, KG, KZ, RU,  
TJ, TM), European (AL, AT, BE, BG, CH, CY, CZ, DE,  
DK, EE, ES, FI, FR, GB, GR, HR, HU, IE, IS, IT, LT, LU,  
LV, MC, MK, MT, NL, NO, PL, PT, RO, RS, SE, SI, SK,  
SM, TR), OAPI (BF, BJ, CF, CG, CI, CM, GA, GN, GQ,  
GW, KM, ML, MR, NE, SN, TD, TG).

**Published:**

- with international search report (Art. 21(3))
- before the expiration of the time limit for amending the  
claims and to be republished in the event of receipt of  
amendments (Rule 48.2(h))

(54) **Title:** AIR SCENTING DEVICE AND AN ASSEMBLY OF THE AIR SCENTING DEVICE WITH A SCENT MODULE



**FIG. 7**

(57) **Abstract:** The present invention relates to an air scenting device, comprising a housing having an accommodation configured to enable insertion of a scent module, an air and scent perfume mixing chamber in the housing under the accommodation, configured to mix air and scent perfume from the scent module to generate scented air, and an outflow opening in communication with the chamber and an outside relative to the housing. Furthermore, the present invention relates to an assembly of a scent module and an air scenting device according to any one or more than one of the preceding claims, wherein the scent module comprises a container with a supply of perfume.

**AIR SCENTING DEVICE AND AN ASSEMBLY OF  
THE AIR SCENTING DEVICE WITH A SCENT MODULE**

The present disclosure relates to an air scenting device and an assembly of the air scenting  
5 device with a scent module.

Air scenting devices in a prior art form are known to comprise containers of scent  
perfumes, into which dissemination elements, such as absorber sticks, can be inserted. Thereby,  
scent perfume can be drawn up through the dissemination element to be freed into the air in a  
space, such as a room of a house or a space of a building in general. Such prior art air scenting  
10 devices have a number of drawbacks and/or shortcomings, in terms of structure, use possibilities  
and/or other aspects.

For example, dissemination elements are passive in that these can not be regulated with  
respect to amounts of scent perfumes that can be freed into the air. Any one dissemination element  
can even perform differently under changed circumstances. Further, users are restricted to offered  
15 scent perfumes in each single container. Combinations of scents are only the ones available in pre-  
mixed scent perfumes or are possible by positioning more prior art scenting devices, with a risk of  
over-scenting the air in a room.

Additionally reference is made here to US-4.407.585, which discloses a clock, with an  
alarm to alert users by using scented air, which is generated when the alarm goes off. Instead of or  
20 in addition to generating an alarm, scented air is expelled from a clock's housing. Scented air is  
expelled from the known housing through an opening which is arranged in full view in a side wall  
of the housing, in order to minimize the time for expelled scented air to become noticeable to users  
from the moment the alarm goes off. However, the resulting appearance of the device known from  
this disclosure much resembles a cuckoo clock, where users would expect the cuckoo to come out  
25 of the hole defining the air outflow opening to indicate the time of day with a successive number of  
bird sounds. Further, the device known from US-4.407.585 has a perfume dispensing mechanism  
to selectively release a scent perfume into a perfume absorber, like a bowl filled with a dot of  
cotton wool or the like, which is only responsive to the alarm control, and releases perfume at the  
time an alarm goes off. Such a control does not take into account whether such an absorber has  
30 dried up through evaporation of the perfume. If the alarm is set to go off at relatively short  
intervals, the known device cannot take into account if the absorber is already saturated and scent  
perfume is dispensed in or on the absorber, even if that would result in the oversaturation and/or  
overflow of the absorber and any bowl or the like with the absorber therein. Further, the device  
known from US-4.407.585 doesn't provide any degree of versatility, for example in terms of  
35 different scents and combinations thereof, for scenting air. In summary, the device known from  
US-4.407.585 is only suitable for use as or in combination with a clock, lacks in versatility, and

can run dry or overrun with scent perfume, if managed like a clock, whilst practically continuous scenting air is desired.

According to the present disclosure, an air scenting device is provided, comprising a housing having an accommodation configured to enable insertion of a scent module; an air and scent perfume mixing chamber in the housing under the accommodation, configured to mix air and  
5 scent perfume from the scent module to generate scented air, and an outflow opening in communication with the chamber and an outside relative to the housing. The assembly according to the present disclosure comprises a scent module and such an air scenting device, wherein the scent module comprises a container with a supply of perfume.

10 The provision of a mixing chamber allows for greater control over the release of scent perfume into the air, by generating in the mixing chamber a mixture of air and scented perfume, i.e. the scented air. For example valves and fans can be employed in association with such mixing chambers to allow such greater control. If a mixing chamber is combined for more than one scent module and the accommodations into which these scent modules are accommodated, access from  
15 the accommodations to the mixing chamber, for example using valves or the like, can contribute to a precise control over the nature and smell of the scented air to be expelled into the room or space. Many such embodiments are possible within the framework of the present disclosure, and some of these are discussed below, and/or defined in the appended claims, or may be considered to lie within the grasp of the skilled person after having been informed of the basic general idea of the  
20 present disclosure.

In a potential embodiment, the air scenting device according to the present disclosure may exhibit the additional feature of a fan in communication with the chamber and the outside of the housing, wherein the fan is configured to expel, when activated, scented air from the chamber.

In a potential embodiment, the air scenting device according to the present disclosure may  
25 exhibit the alternative or additional feature that the accommodation comprises a latch or locking mechanism to at least temporarily engage an inserted scent module. In such an embodiment, optionally, the latch or locking mechanism comprises a magnet.

In a potential embodiment, the air scenting device according to the present disclosure may exhibit the alternative or additional feature that the outflow opening is oriented downward, out of  
30 the housing relative to the chamber. This may serve to hide the outflow opening from view. In such an embodiment the air scenting device may further comprise a foot configured to support housing thereon, wherein the foot exhibits a smaller horizontal circumferential size than the housing and the outflow opening is arranged in or at least partially around the foot. The foot may be configured to support housing thereon. The foot has a smaller horizontal circumferential size than  
35 the housing and the outflow opening is arranged at least partially around the foot. The outflow opening may be arranged additionally or alternatively in the foot, if interiors of the housing and

foot are in open air flow connection. In case the outflow opening is in an underside of the housing, at least partially around the foot 4, or in a side wall of foot 4, the blowout opening may be at least partially and preferably fully hidden from sight.

In a potential embodiment, the air scenting device according to the present disclosure may exhibit the alternative or additional feature of a scent perfume extracting mechanism configured to transfer scent perfume from the scent module into the chamber. In such an embodiment, optionally, the scent perfume extracting mechanism comprises a dripping mechanism in combination with a scent perfume absorbing element, onto which the dripping mechanism is arranged to deposit scent perfume from the scent module. In such an embodiment, optionally, the dripping mechanism comprises a scent extracting absorber, configured to extend into a container of the scent module, wherein the container carries the scent perfume. In an embodiment having a scent perfume extracting mechanism, optionally, the scent perfume extracting mechanism comprises a limiter to restrain extraction of scent perfume from the scent module. In an embodiment having a dripping mechanism and the limiter, optionally, the limiter comprises an air duct between the perfume absorbing element and the dripping mechanism, and the limiter is air flow controlled.

In a potential embodiment, the air scenting device according to the present disclosure may exhibit the alternative or additional feature of at least one heater associated with the accommodation, and configured to facilitate extraction of scent perfume from the scent module.

In a potential embodiment, the air scenting device according to the present disclosure may exhibit the alternative or additional feature of at least one control. Such a control may control valves and/or fans, and do so for example based on a determined nature of a scent perfume in a connected scent module, and can even take compatibility of distinct scents into account, or mixing ratios to achieve the most pleasant resulting scented air in a room or space. Such a control may have communication means to accept input from a user, to start scenting air, change a mixture of scent perfumes, and the like. Such a communication could even be an app on a mobile device.

In a potential embodiment, the air scenting device according to the present disclosure may exhibit the alternative or additional feature that the housing comprises a plurality of accommodations, and each of the accommodations is configured to accommodate at least one scent module.

In an embodiment having a control and the plurality of accommodations, optionally, at least one of the plurality of accommodations comprises an identification detector, such as an RFID reader, to determine for the control an identity of a perfume in a module having an RFID and accommodated at any particular time in the accommodation having the identification detector.

In such an embodiment having at least the plurality of scent module accommodations, optionally, the housing comprises a single air and scent perfume mixing chamber with more than

one of the plurality of accommodations, and a valve between at least one of the plurality of accommodations and the single air and scent perfume mixing chamber.

After the above more generic description of the subject of the present disclosure, a detailed description is provided below of a limited number of preferred embodiments referring to the appended drawing. Only a limited number of embodiments is described, since the potential of the present disclosure with respect to alternatives is practically boundless. However, although the below described embodiments are at the time of the present disclosure preferred, these are by no means intended to allow any unwarranted limitation on the scope of protection to any of the features from the following embodiment description to result in a more restricted scope of protection for embodiments of the present disclosure than that according to the appended independent claims. In the appended drawing, throughout separate figures, the same or similar reference signs may be employed to indicate the same or similar elements, features, components or aspects. In the appended drawing:

Figures 1, 2 and 3 respectively show a perspective view, a behind view and a below view of first embodiment of an air scenting device according to the present disclosure;

Figure 4 shows introduction of a scent module into an accommodation of a housing of the air scenting device in the first embodiment;

Figure 5 shows an example of a latch, coupling or engaging of the scent module in the accommodation;

Figures 6 and 7 respectively show a perspective view and a cross sectional view of the air scenting device in the first embodiment and in operation;

Figure 8 shows a perspective view of an air scenting device having a plurality of accommodations for a plurality of scent modules;

Figure 9 shows the optional use of ID's in the form of for example RFID markers, to determine the nature of a scent perfume in a module in an accommodation;

Figure 10 shows the air scenting device of figure 8 and having a plurality of accommodations for a plurality of scent modules, in operation;

Figures 11, 12 and 13 respectively show a perspective view, a behind view and a below view of the embodiment of figure 8 of an air scenting device according to the present disclosure;

Figure 14 shows a schematic view of an exemplary embodiment of an air scenting device according to the present disclosure;

Figure 15 shows an exploded view of an embodiment of an air scenting device according to the present disclosure;

Figures 16, 17 and 18 show respectively a front view, a front cross section and a side cross section of the device of figure 15 in an assembled state;

Figure 19 schematically shows a step in assembling the air scenting device of figure 15;

Figures 20 and 21 respectively show a perspective view and a side view of a component of the embodiment of figure 15 enlarged and in more detail;

Figures 22 and 23 show side views of alternative embodiments of or for the component of figures 20 and 21;

5 Figures 24 – 27 respectively show different stages of functioning of a scent perfume extracting mechanism;

Figures 28 – 32 alternative embodiments relative to a portion of the present disclosure with respect to figure 17; and

10 Figures 33 – 38 show a further embodiment of an air scenting device according to the present disclosure.

Figure 1 shows a first embodiment of an air scenting device 1 according to the present disclosure, which comprises a housing 2, which defines an accommodation for a scent module 3 lowered into the accommodation, as will be described in more detail herein below. The back view of figure 2 shows that housing 2 is arranged on a foot 4, and that in the back of housing 2 a grid or opening 5 is provided, through which air to be scented can be drawn into housing 2. The bottom view of figure 3 also shows housing 2 and foot 4, with additionally blowout grids 6. The foot 4 may configured to support housing 2 thereon. The foot 4 has a smaller horizontal circumferential size than the housing and the outflow opening is arranged at least partially around the foot. The outflow opening may have a blowout grid 6, or define an unrestricted opening. The outflow opening may be arranged in the foot, as well, if interiors of the housing 2 and foot 4 are in open air flow connection. In case the outflow opening is under the housing 2, at least partially around the foot 4, or in a side wall of foot 4, the blowout opening may be at least partially and preferably fully hidden from sight.

The perspective view of figure 4 and the cross sectional view of figure 5 more clearly show the accommodation 7 within housing 2, into which scent module 3 is to be lowered in the direction of arrow A. At the bottom of accommodation 7, a pair of magnets 8 is provided to latch, lock or engage scent module 3 and keep the scent module 3 firmly restrained within the accommodation 7. Above, it was indicated in relation to the bottom view of figure 3, that at the underside of housing 2, blowout grids 6 are provided. These allow scented air from a mixing chamber to be expelled in the direction of arrows B, as shown in figure 6. From the representation of figure 4 it can be seen, that scent module 3 comprises an open base 10, which is inserted into accommodation 7 first. Open base 10 defines, in combination with the confines of accommodation 7 in housing 2, a mixing chamber 11. Scent module 3 further comprises a scent perfume container 12, from which scent perfume is drawn into mixing chamber 11, in a manner, of which an example will be described herein below. It is additionally noted, that a fan 9 is provided at grid or opening 5, within the housing 2, but fan 9 could also be arranged outside of any housing, as shown in figure

18, which will be described herein below. In advance it is already noted here, that a fan may even be entirely omitted, within or outside of housing 2, 14, for example if the device 1, 15 is to be positioned at a location of a draft or other air flow.

When the fan 9 is in operation, turbulence is created within the mixing chamber 11 as a consequence of which scent perfume from container 12 is thoroughly mixed with an airflow 13, which is drawn into mixing chamber 11 from outside of housing 2. Mixed air and scent perfume are consequently expelled from the mixing chamber in an airflow along arrow B through blowout grids 6. In particular in the embodiment of figure 7, the airflow out through blowout grids 6 is enhanced by a guide plate 16, which is arranged internally of housing 2, to define a blowout duct in combination with the blowout grids 6.

In figures 8, 10 essentially the same functioning is shown, relative to figures 4, 6, but in relation to a different embodiment, wherein housing 14 of a scenting device 15 comprises a plurality of accommodations, allowing a plurality of scent modules to be introduced therein. Figures 11 – 13 correspond in the same manner with figures 1 – 3. After introducing scent modules 3, generated scented air flows are expelled out of housing 14 in the direction of arrows B.

In relation to this embodiment it is noted that in particular figure 9 relates to an optional addition for determining the precise nature of scent perfume in any one container 12 of a scent module 3. At a predetermined position, in figure 9 at the bottom of the accommodation and in an assembled state of scent module 3 in housing 2, 14, there comprises an ID 16, for example and RFID tag, and housing 2, 14 comprises at a corresponding location and ID reader 17. Since in the embodiment of figures 8, 10 a plurality of scent modules 3 can be introduced into corresponding accommodations 7, an air scenting device may be capable of preparing desired combinations or mixtures of scents, as will be described herein below, for which it is extremely beneficial, if the device 1, 15 is capable of determining the precise nature of the contents of any container 12. Consequently, desired combinations or mixtures can be expelled in the direction of arrows B. However, it should be noted here that even in a singular embodiment, such as the embodiment of figures 1 – 7, it may be beneficial that the device 1, 15 is informed of the precise nature of the contents of the container 12 of scent module 3, to be able to regulate an outflow of scent perfume in correspondence with the strength or noticeability of the scent perfume that is actually in any embodiment of a device 1, 15 according to the present disclosure.

In the embodiment of figure 14, optional heat elements 17 are added. Further, optional valves 18 are added. Heat elements 17 and valves 18 may be under control of a processor 19, into which an appropriate program can be loaded. Such a program can be designed to take into account strength or noticeability of scent perfume in individual modules 3 – detectable using an ID for each scent at or in every module 3, and/or resulting combinations or mixtures. Additionally and/or alternatively, such a program can be designed to take into account input from a user, for which any

other number of input/output features may be provided in the device 15, for example, a modem 20. In particular, a possibility can be created for a user to input commands for the device 15, for example over the Internet, in particular using for instance an app, executed on a mobile device, such as a smart phone, a tablet computer, laptop computer or the like, for which an online portal or smart home system 21 can provide access.

The control of device 15 may act on the airflow generator or fan 9 to speed up or slow down. Likewise, the control of device 15 can drive the heat elements 17 to individually heat up or cool down, and/or the control of device 15 can control each of the separate valves 18 to open or close more or less. These and other control options can be utilized to influence the scented airflow, that is mixed in the chamber 11 and output to the user in the direction of arrow B.

An important feature of the embodiment of figure 14 is that a single mixing chamber 11 is provided within housing 14 of device 15. It is in particular noted that scent perfume from each of the separate scent modules 3 is transferred from the modules 3 to the mixing chamber 11. Therein, the mixing of scents with air is accomplished. An optional mixer (not shown) could additionally be provided in the mixing chamber.

It is self evident that scent modules 3 are not intended to have an open base 10, like in the embodiment of figures 1 – 7, at least in order to define mixing chamber 11, since the mixing chamber 11 in the embodiment of figure 14 is common for a plurality of scent modules 3. Having the common mixing chamber allows for additional control over generated scented air, in particular when a plurality of different scented perfumes from a plurality of different scent modules 3 are to be mixed with air to arrive at the generated output flow of generated scented air.

Figure 15 shows an exploded view of a scent module 22, having a carrier structure 23, a scent perfume extracting mechanism 26, a scent container 24 containing at least initially a scent perfume, and a lid or top 25. The lid or top 25 may be mostly cosmetic, i.e. provided for appearance purposes, but may also serve as a functional closure of an open top of scent container 24. Figure 16 shows a front view, figure 17 shows a cross section in front view (the same direction as that of figure 16), and figure 18 shows a cross section view in a direction perpendicular to the viewing direction of figures 16, 17. Figures 17 and 18 show ribs 27 of the carrier structure 23. These ribs 27 can serve to strengthen the carrier structure 23 and/or to guide scent perfume from the scent container down to the mixing chamber 11. Additionally or alternatively, ribs 27 may be formed from scent carrying material, which may be structural only, or may be configured to be impregnated or drenched with scent perfume, to release the scent perfume to an air flow through the mixing chamber 11, when fan 9 or any other airflow generator is controlled to be in operation. Alternative configurations of the ribs 27 in similar front cross sections as figure 17 are shown in figures 28 – 32.



As indicated above, scent perfume is released from the scent container 24, using scent perfume extracting mechanism 26, of which an example and alternate embodiments for specific parts and/or components thereof is shown in figures 19 - 27.

The shown exemplary scent perfume extracting mechanism 26 comprises an air controlled dripping mechanism 28, to which a scent absorber 29 is connected in order to be inserted into the scent container 24, through a valve construction 30, which is designed to remain closed, unless scent absorber 29 is inserted there through in the direction of arrow C in figure 19. Scent perfume from the interior of container 24 may be absorbed by scent absorber 29 and passed down into dripping mechanism 28. The dripping mechanism normally continues to drip scent perfume (figures 24, 25) onto scent carrying material 32 in the direction of arrow D in figure 25. Further, the scent perfume extracting mechanism 26 comprises an air duct 31 with a nozzle 32. Nozzle 32 is arranged on the scent carrying material 33, which may for instance be fibrous, to absorb or be drenched with the scent perfume deposited thereon by dripping mechanism 28. When the scent carrying material 33 is drenched to saturation (figure 26), no more air can pass through scent carrying material and up into nozzle 32 and air duct 31. In this manner, the nozzle 32 arranged on scent carrying material 33 acts as a check valve in that passage of air up into the container is prevented when the scent carrying material 33 is saturated, and enabled as long as the scent carrying material 33 is dry enough to allow passage of air up into the container through air duct 31. Alternately, a check valve comprising for instance a float valve or the like can be specifically provided to enhance the thus described check valve function. The air duct 31 passes air through or along dripping mechanism 28 up into the interior of container 24, as long as the scent carrying material 33 is sufficiently dry, so that when no air is let up into the container through nozzle 32 and air duct 31, when scent carrying material 33 has become saturated, and then the extraction of scent perfume will halt (figure 27) as a consequence of under-pressure, that is thereby generated inside the container 24.

Figures 21, 22 and 23 show exemplary alternative embodiments for the sub-assembly of scent absorber 29, dripping mechanism 28, air duct 31 and nozzle 32, relative to for example figure 20, which shows an enlarged representation of said sub-assembly, compared with the representation in figure 19.

The embodiment of Figures 33 – 38 adds a particular functionality of an override or boost, enabling the user to force the air scenting device 34 to expel scented air. In particular, the container 35 can be pressed down in the direction of arrow A, which denoted the same direction as the orientation, in which a container 35 is introduced into the air scenting device 34 in for instance figure 4. When the container 35 is pressed down in the direction of arrow A, the air scenting device 34 is made to expel extra scented air in the direction of arrows B in Figure 34.

This may be achieved in any number of ways. Merely as an exemplary embodiment, figures 35 – 38 show that the air scenting device 34 accommodates container 35 resting on a spring 36. When the container 35 is pressed down against the spring force of the spring 36, as shown in figure 36, the bottom of the container will come into contact with switches 37, as shown in Figure 37. A single switch 37 may be provided, or instead of one or more switches 37, the bottom of the container may carry an electrically conducting strip (not shown) enabling electrical conduction between two contacts (not shown). In any case, when a switch is operated, fan 38 is activated to drive scented air from the air scenting device 34. It is considered special, simple and elegant that the container 35 can be employed as an operator for the switch(es) 37 (or contacts), to enable a user to generate a boost of scented air.

It is to be noted that for some, if not all of the components, aspects and element described herein, the boundaries there between can be flexible. For example, the scent carrying element 33 is to be counted as a part of the scent extracting mechanism, but if the material thereof contributed to the structure of the mixing chamber 11, it can indeed also form part of the mixing chamber, the same as the above described function of ribs 27, which could also be part of the drenchable scent carrying material 33. The controllable features of the dripping device can also, in an alternative embodiment, be utilized to allow for scent strength control, to restrict the amount of any one scent to be freed into the space or the room of a home or a building.

In addition, the following is noted here: air scenting devices in accordance with the present disclosure can furnish an entirely new olfactory sensation in the home or the work place. The disclosure provides for a personalized selection of preferred scent selection, as well as mixing different personally preferred scents. Where the one end user would prefer to be subjected to a fresh scent, such as mint, another end user would prefer heavier scents, like cinnamon. Embodiments of the present disclosure can cater to this demand, in a much more personalized manner than a scent candle or a scented oil flask with a scent absorbing element lick a straight wick, to free scents into the room or space of a building. The disclosure allows for setting of strength of scents as well as a more free selection of scents to be used. Also, the device can easily be turned on and off, at random or according to control input from an end user, in particular if the electronic control is embodied.

Further, in particular with the devices according to the present disclosure, which have a plurality of accommodations for plural scent containers or modules, preselected grouped scents can be made available to end users. The end user may even fine tune such preselections to their precise taste. To add to the experience for end users of being able to set their environment to detail, an app or other control program on a computer, tablet, smart phone or the like, may contribute to the attractiveness of the concept of the present disclosure.

Regarding the optional integration of electronics into the concept of the present disclosure, it is noted here that the embodiment of figure 14 may comprise an integrated circuit board, comprising the above described elements and components. However, a wireless connection, such as Wifi, Bluetooth, Zigbee or GSM, may be omitted in favour of a wired connection. Both wired and wireless connections allow an end user to have control over the function of the air scenting device or the assembly thereof with a scent module.

Embodiments according to the present disclosure may comprise a high-tech air displacement system, wherein a pump, fan or other air displacement element may be entirely controlled using for example a PWM (pulse width modulation) based algorithm, depending on circumstances and requirements of specific manufacturers and/or end users.

The device may comprise a detection for detecting fill of the containers of scent, in order to inform the end user, via the aforementioned app or other control software, that any particular container is reaching depletion, to allow the end user to secure and install a replacement module or container.

The device may comprise a venturi construction instead of or in addition to a fan or pump. Likewise, the device may contain or comprise an atomiser or at least a fine spray nozzle, to dispense scent into the mixing chamber. Such depletion warnings could also be directed at a manufacturer, for instance if an end user has a contract whereby the manufacturer is bound to supply new scent modules, when installed containers or modules near depletion, thus ensuring that the scent sensation of the present disclosure is not disrupted for the end user.

Above, the personalized offer of scents and in particular mixes thereof has been referred to. However, in addition it is noted here that the referenced app could be replaced by a "regular" computer program to run on a PC or on a laptop computer. However, the inventors of the present disclosure feel that embodiments of the present disclosure allow perfect integration into a smart home system, to then as a new feature include scent sensation.

The scent module is, in the appended drawing, square in shape, but could be round or have any arbitrary other shape or form, like cylindrical or the like.

Above, reference was already made to an end user's taste and preference with respect to the nature of scents to emanate from the device. It is further noted here, that scent groups may be selected by an end user or offered by a manufacturer, based on beforehand known end user preferences, such as heavier scents like cinnamon, or fresher scents like mint. The system of the present disclosure further preferably has prior knowledge of an end user's preferences, and could to this end contain a non volatile memory to store at least one profile with reference to the types of kinds of scents preferred by at least one of the end users. The device can then preferably switch between end users to adapt the environment in the room quickly and without any discontinuation between end user profiles. Further, the device may contain – or the app or computer programm -

may have a user interface to provide recommendations to end users, based on some input of their preferences.

## CLAIMS

1. Air scenting device, comprising:
  - a housing having an accommodation configured to enable insertion of a scent module;
  - 5       - an air and scent perfume mixing chamber in the housing under the accommodation, configured to mix air and scent perfume from the scent module to generate scented air, and
  - an outflow opening in communication with the chamber and an outside relative to the housing.
2. Air scenting device according to claim 1, wherein the outflow opening is oriented  
10       downward, out of the housing relative to the chamber.
3. Air scenting device according to claim 2, further comprising a foot (4) configured to support housing (2, 14) thereon, wherein the foot (4) exhibits a smaller horizontal circumferential size than the housing and the outflow opening is arranged in or at least partially around the foot.
4. Air scenting device according to any one or more than one of the preceding claims,  
15       further comprising a scent perfume extracting mechanism configured to transfer scent perfume from the scent module into the chamber.
5. Air scenting device according to claim 4, wherein the scent perfume extracting mechanism comprises a dripping mechanism in combination with a scent perfume absorbing element, onto which the dripping mechanism is arranged to deposit scent perfume from the scent  
20       module.
6. Air scenting device according to claim 5, wherein the dripping mechanism comprises a scent perfume extracting absorber, configured to extend into the scent module, comprising the scent perfume.
7. Air scenting device according to claim 4, 5 or 6, wherein the scent perfume extracting  
25       mechanism comprises a limiter to restrain extraction of scent perfume from the scent module.
8. Air scenting device according to claims 5 and 7, wherein the limiter comprises an air duct between the scent perfume absorbing element and the dripping mechanism, and the limiter is air flow controlled.
9. Air scenting device according to any one or more than one of the preceding claims,  
30       further comprising at least one control.
10. Air scenting device according to any one or more than one of the preceding claims, wherein the housing comprises a plurality of accommodations, and each of the accommodations is configured to accommodate at least one scent module.
11. Air scenting device according to claims 9 and 10, wherein at least one of the plurality  
35       of accommodations comprises an identification detector, such as an RFID reader, to determine for

the control an identity of a perfume in a module having an RFID and accommodated at any particular time in the accommodation having the identification detector.

12. Air scenting device according to claim 10 or 11, wherein the housing comprises a single air and scent perfume mixing chamber with more than one of the plurality of  
5 accommodations, and a valve between at least one of the plurality of accommodations and the single air and scent perfume mixing chamber.

13. Air scenting device according to any one or more than one of the preceding claims, further comprising a fan in communication with the chamber and the outside of the housing, wherein the fan is configured to expel, when activated, scented air from the chamber.

10 14. Air scenting device according to any one or more than one of the preceding claims, wherein the accommodation comprises a latch or locking mechanism to at least temporarily engage an inserted scent module.

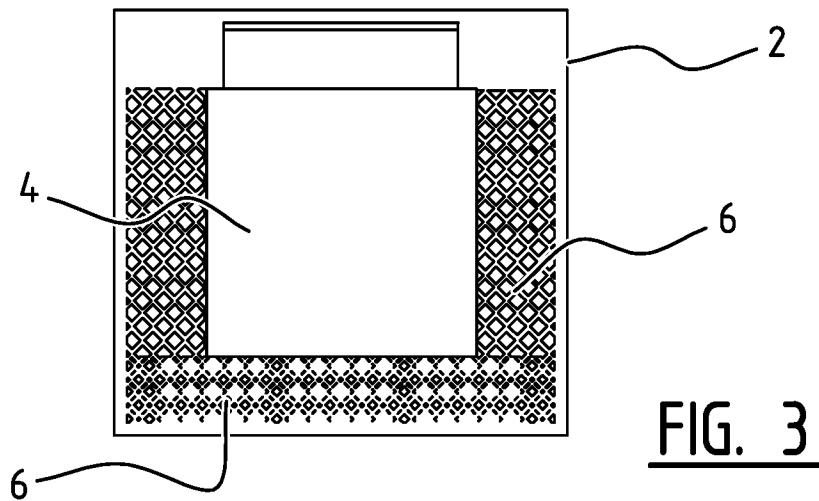
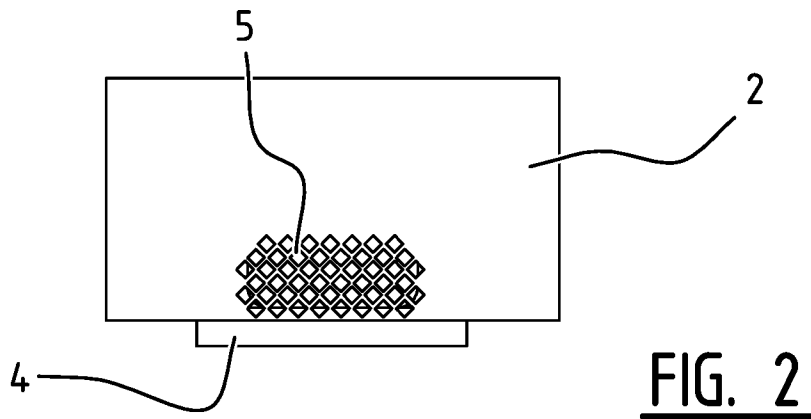
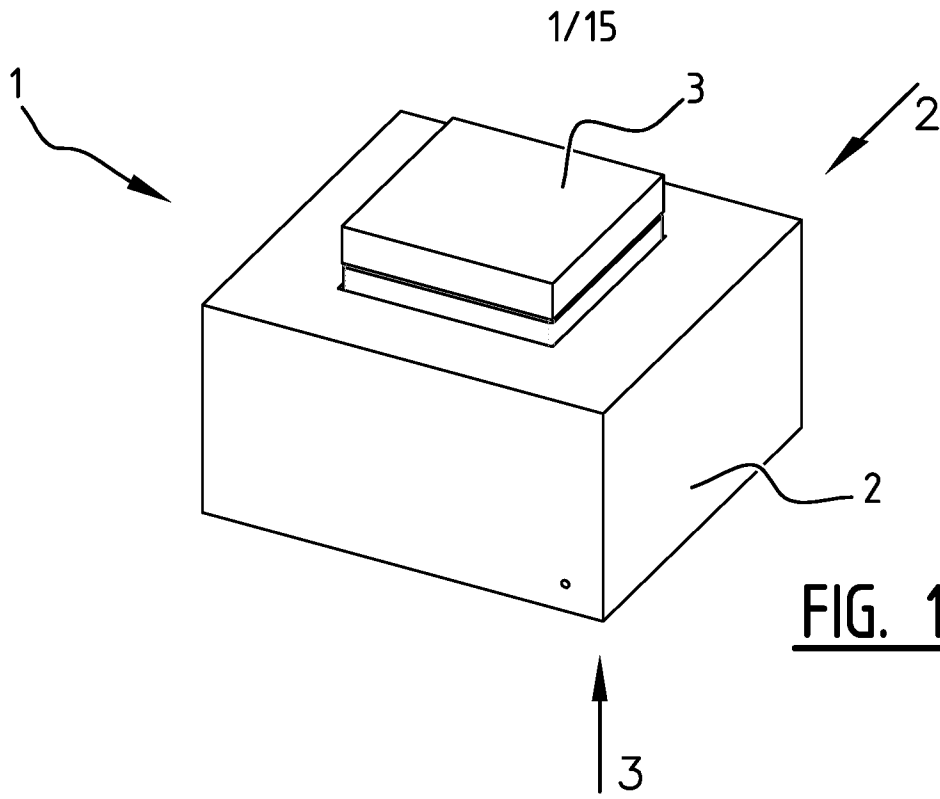
15 15. Air scenting device according to claim 14, wherein the latch or locking mechanism comprises a magnet.

16 16. Air scenting device according to any one or more than one of the preceding claims, further comprising at least one heater associated with the accommodation, and configured to facilitate extraction of scent perfume from the scent module.

17 17. Air scenting device according to any one or more than one of the preceding claims, wherein, in an assembled state, the scent module defines an operator configured to, when operated,  
20 cause the air scenting device to generate a boost of scented air.

18. Air scenting device according to claims 13 and 17, wherein at least one switch or contacts are arranged in the accommodation for the scent module, where the switch or contacts are connected to the fan for activating the fan, when the scent module is operator by a user.

19. Assembly of a scent module and an air scenting device according to any one or more  
25 than one of the preceding claims, wherein the scent module comprises a container with a supply of perfume.



2/15

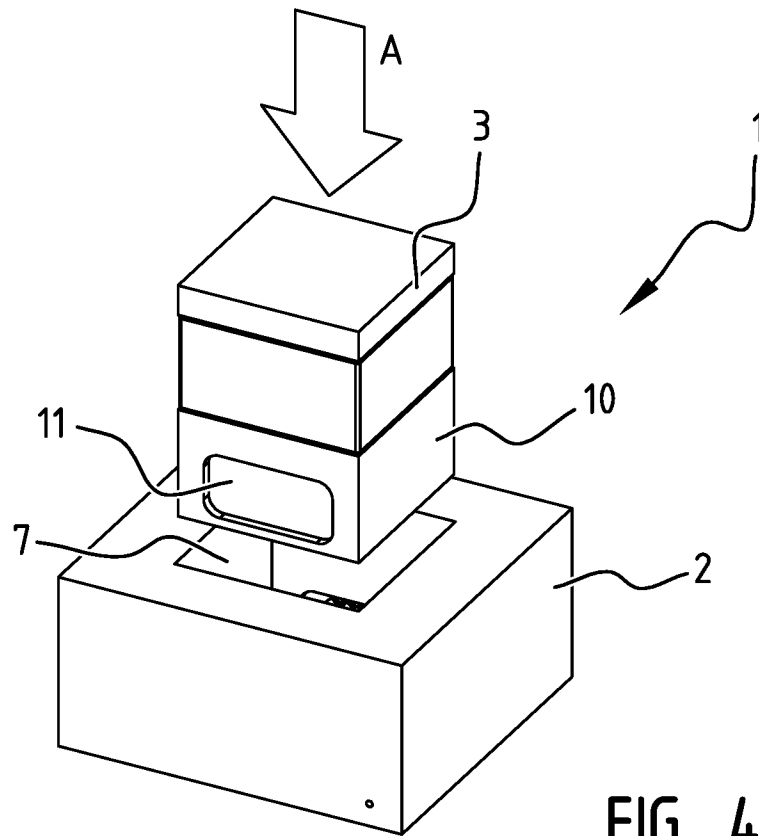


FIG. 4

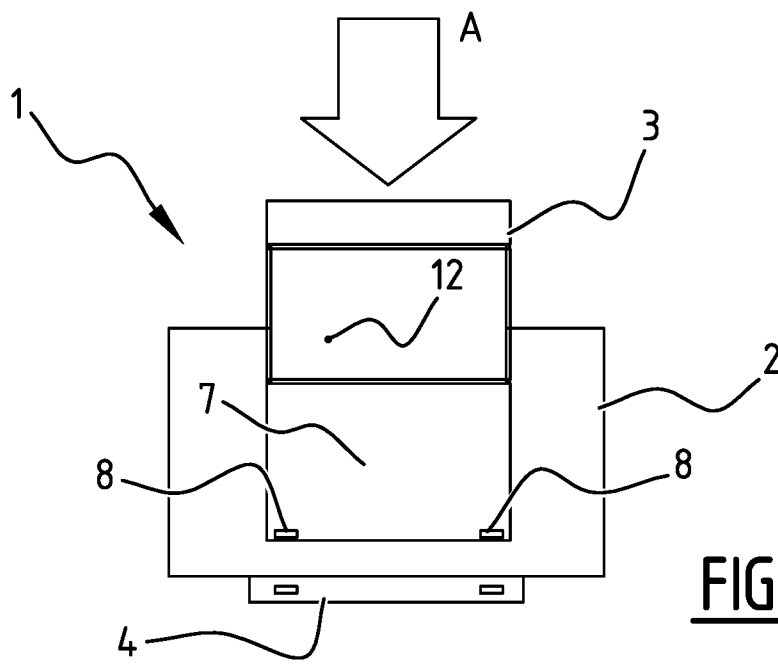


FIG. 5



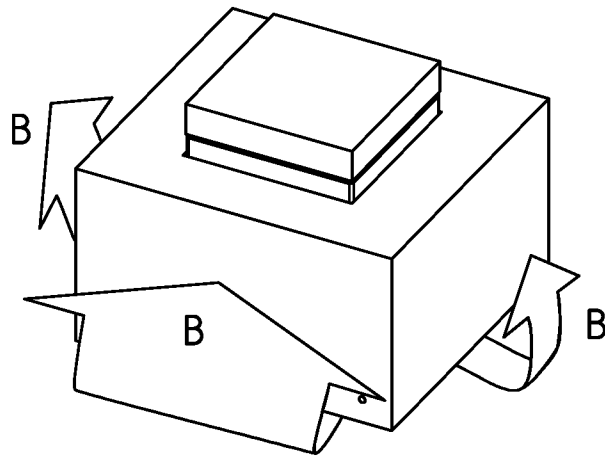


FIG. 6

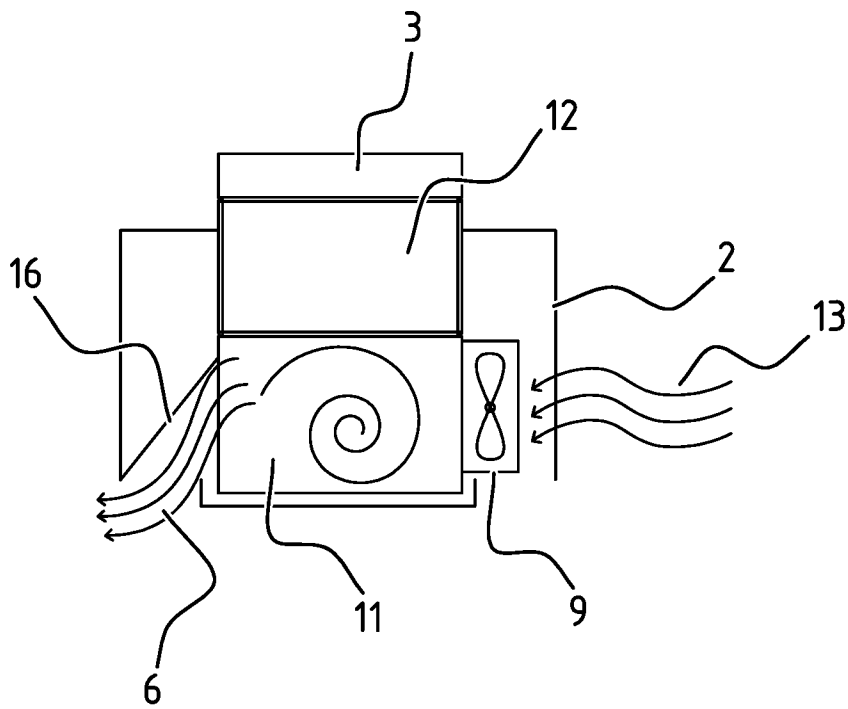


FIG. 7

4/15

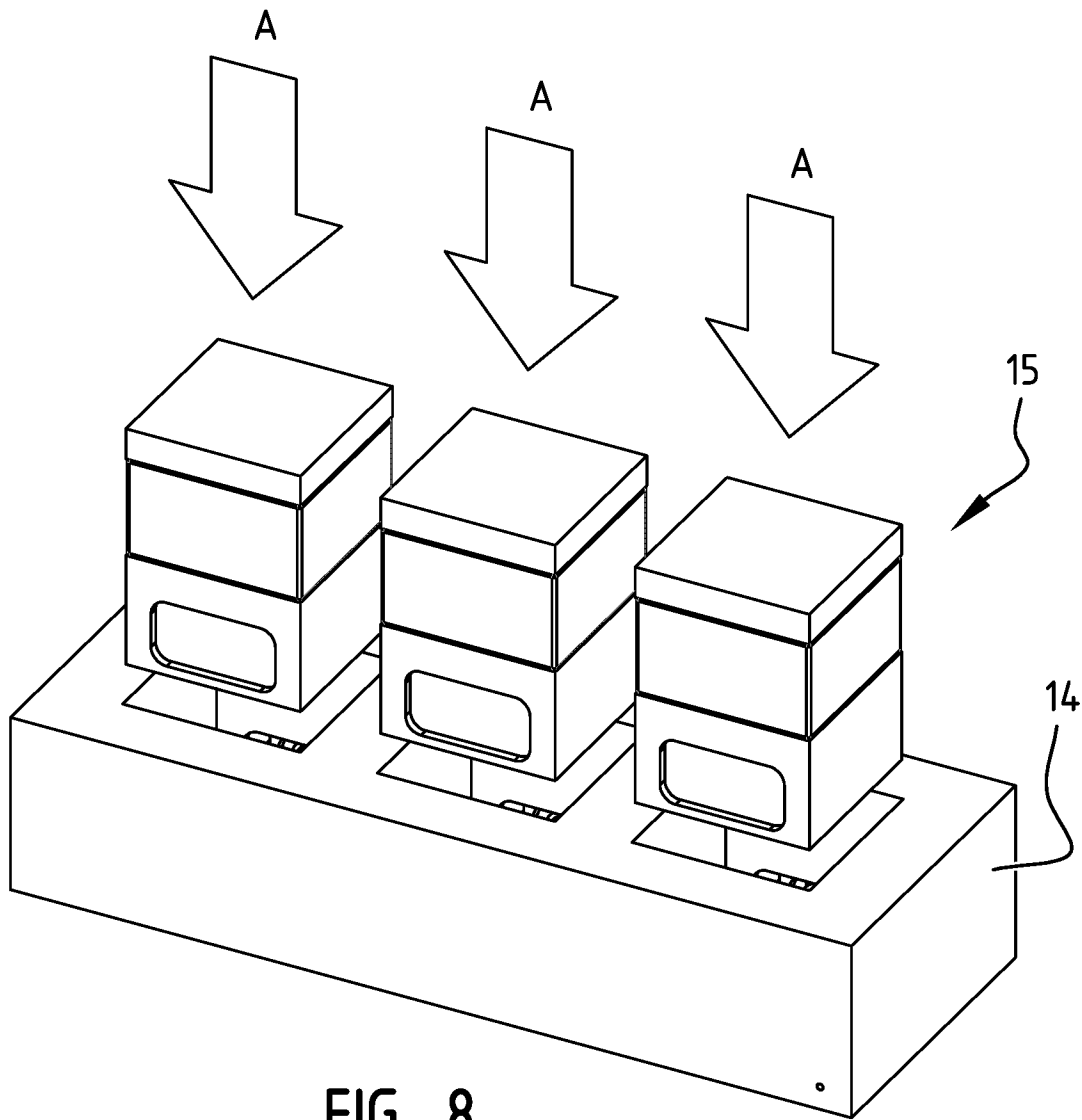


FIG. 8

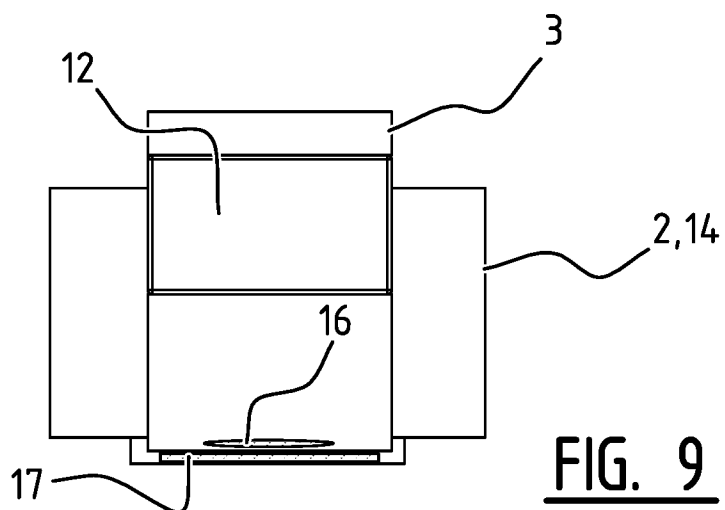


FIG. 9

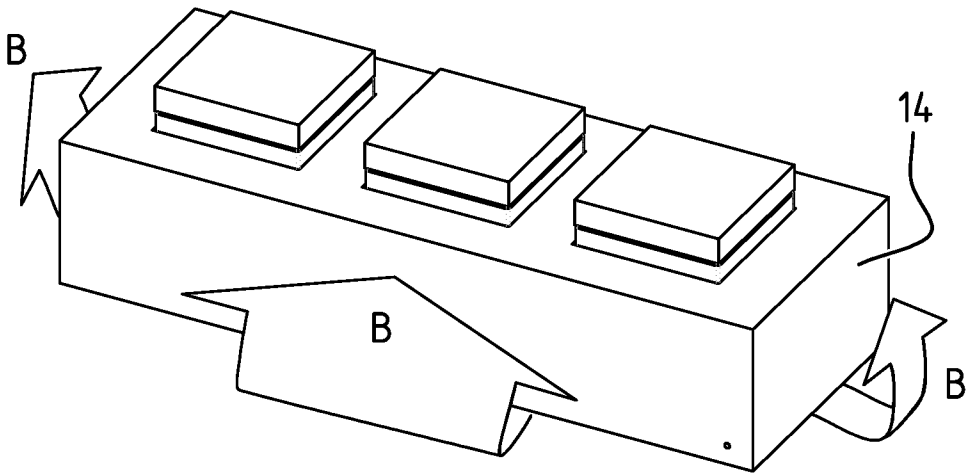


FIG. 10

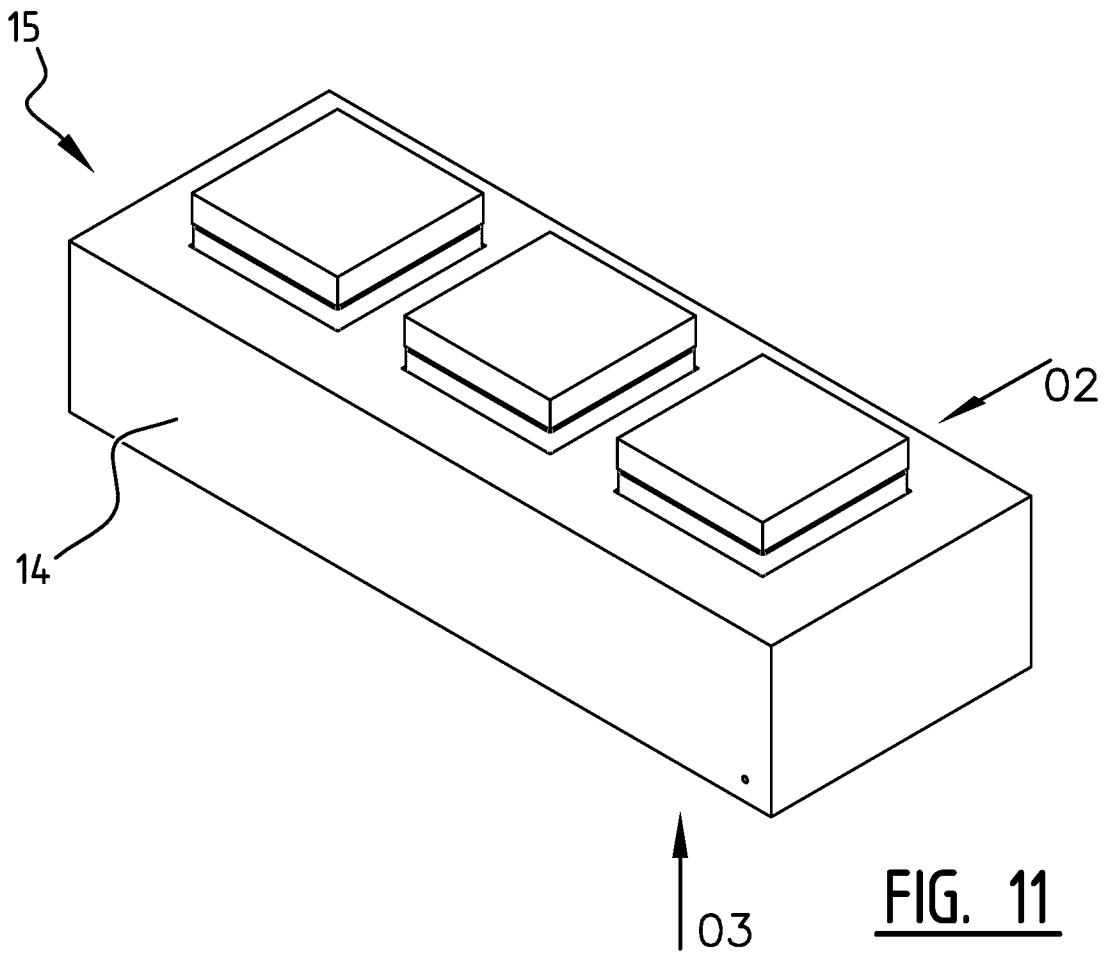


FIG. 11

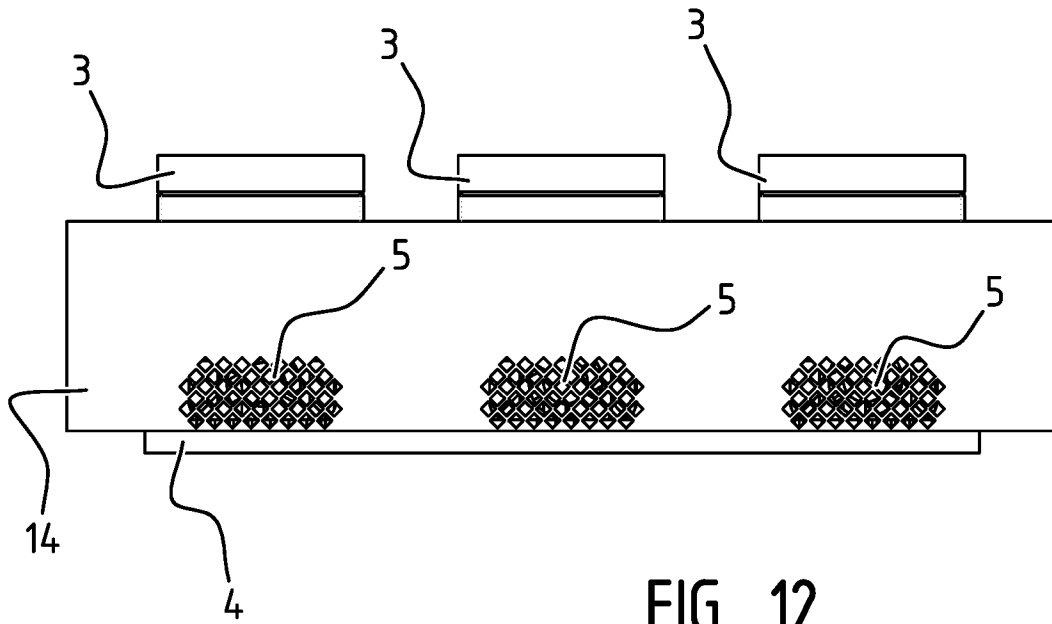


FIG. 12

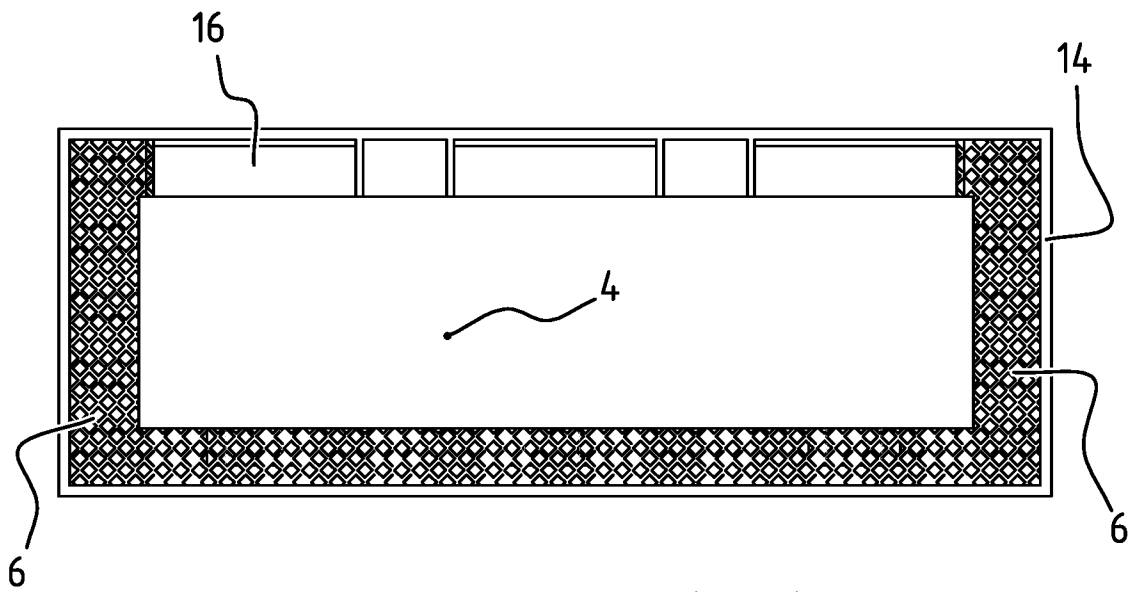
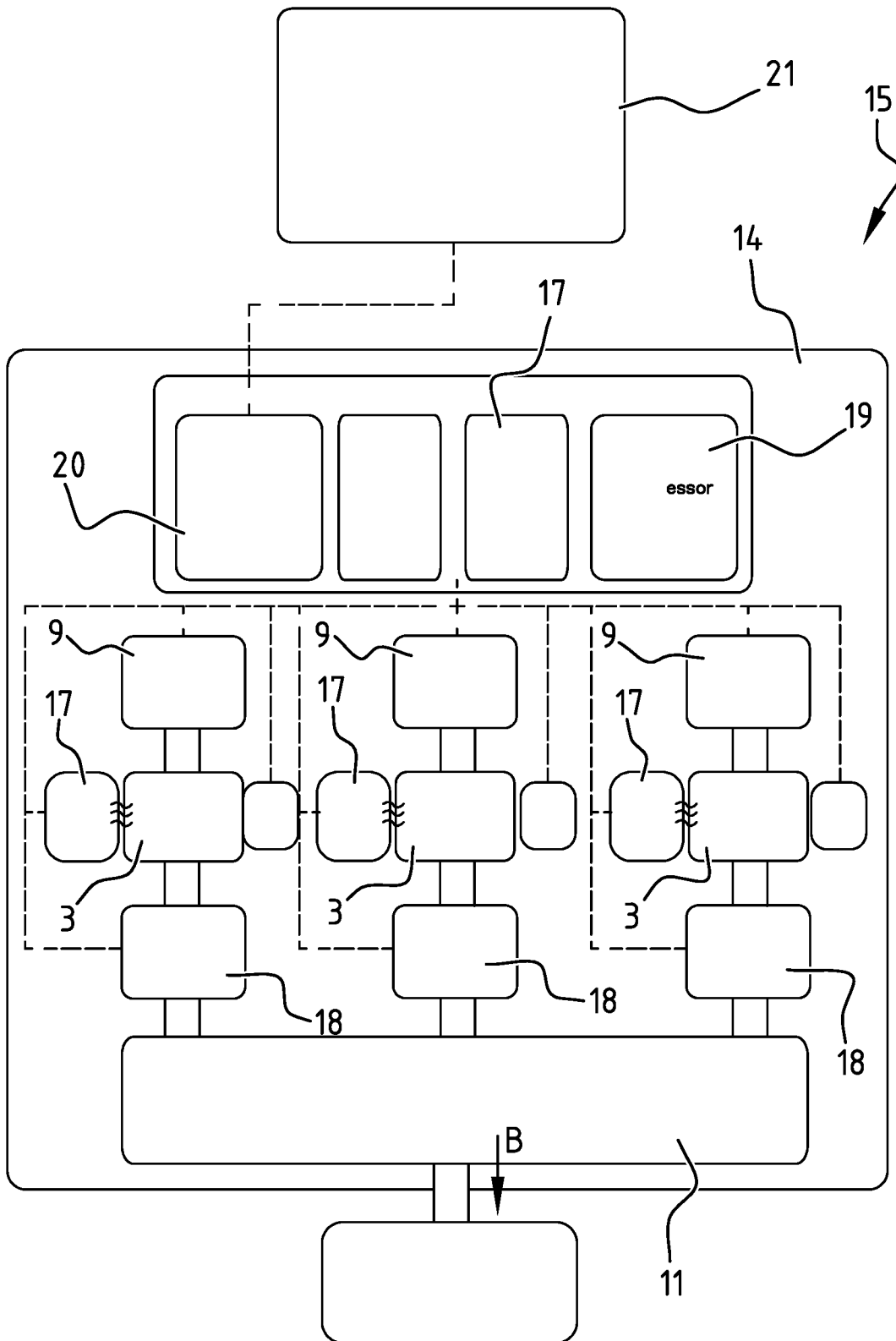
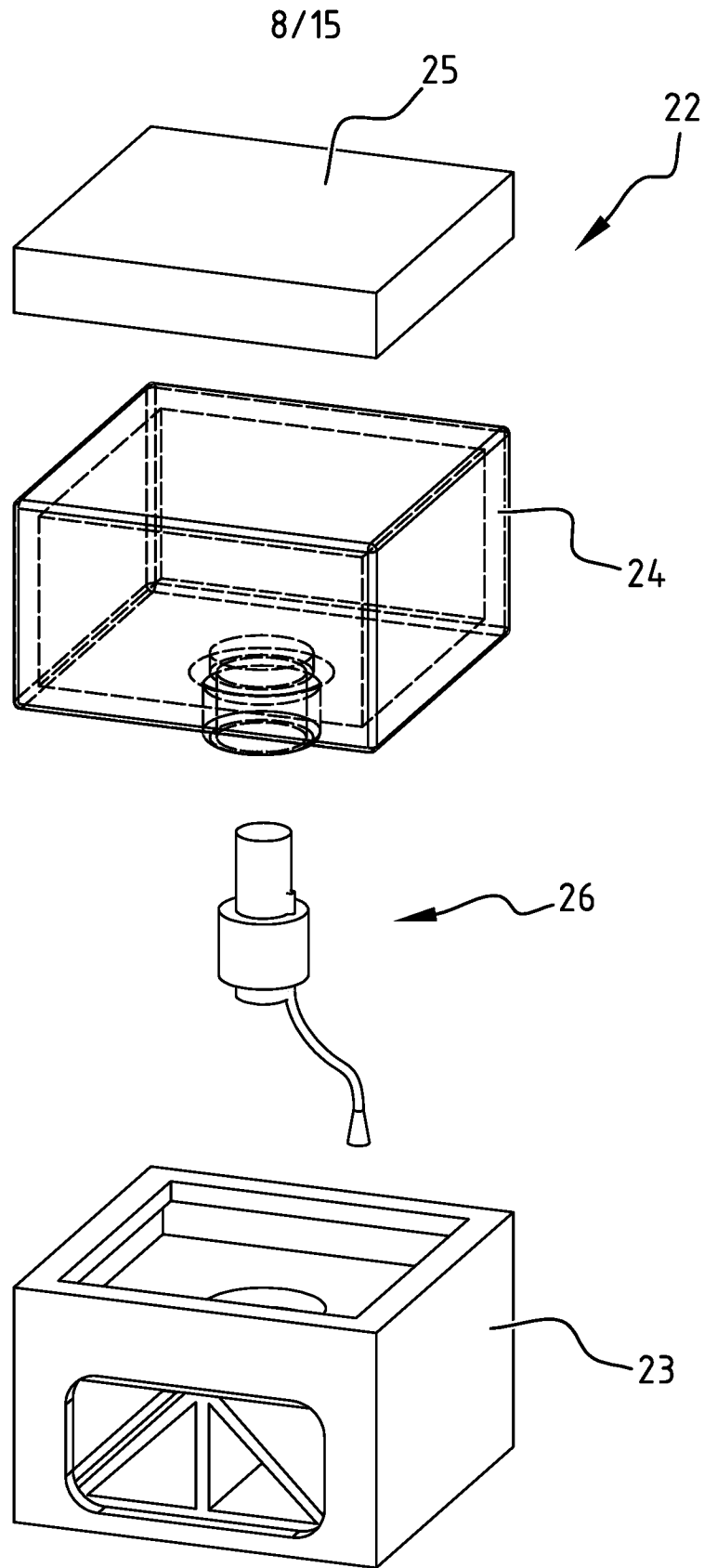


FIG. 13

7/15



**FIG. 14**



**FIG. 15**

9/15

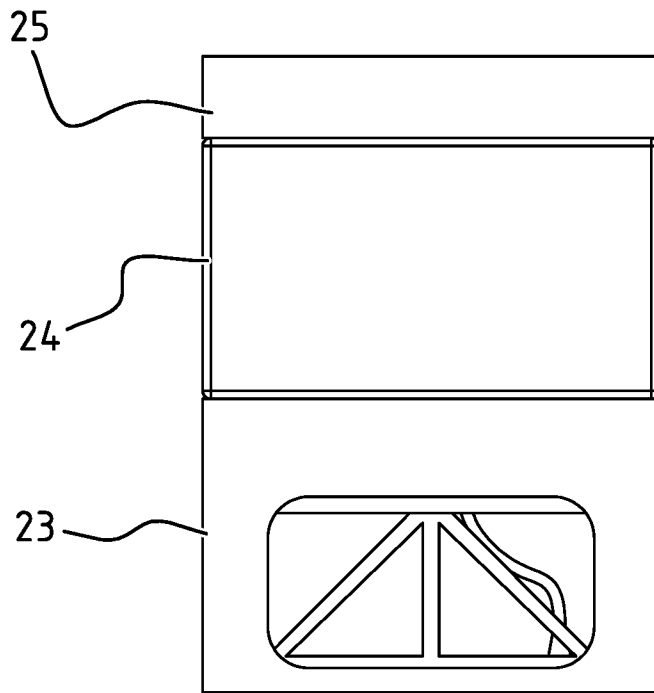


FIG. 16

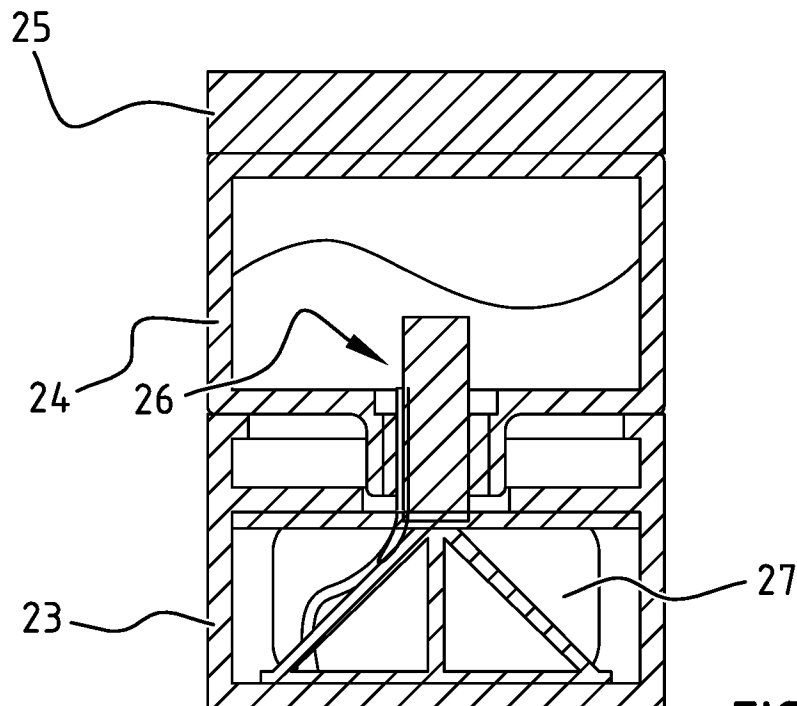
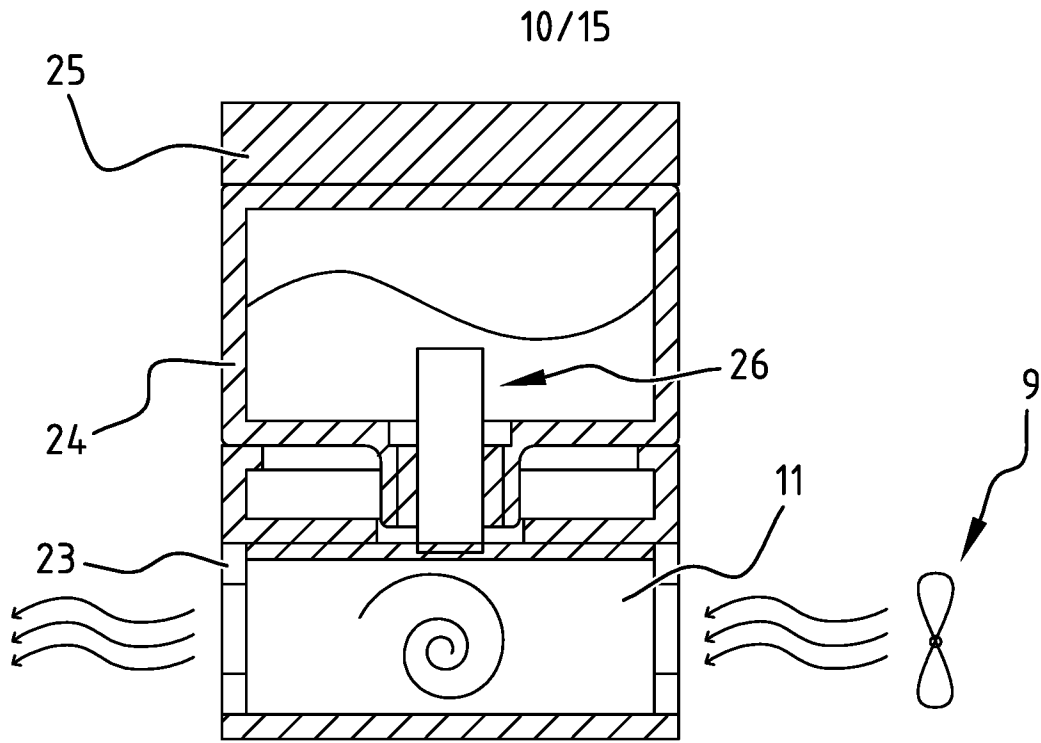
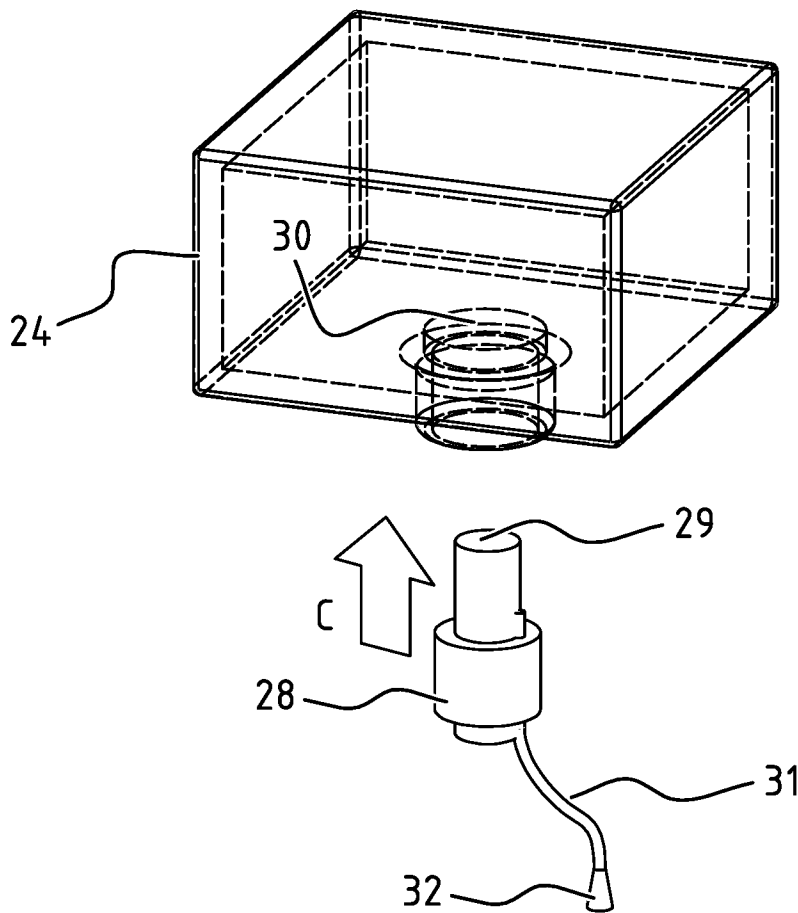


FIG. 17



**FIG. 18**



**FIG. 19**



11/15

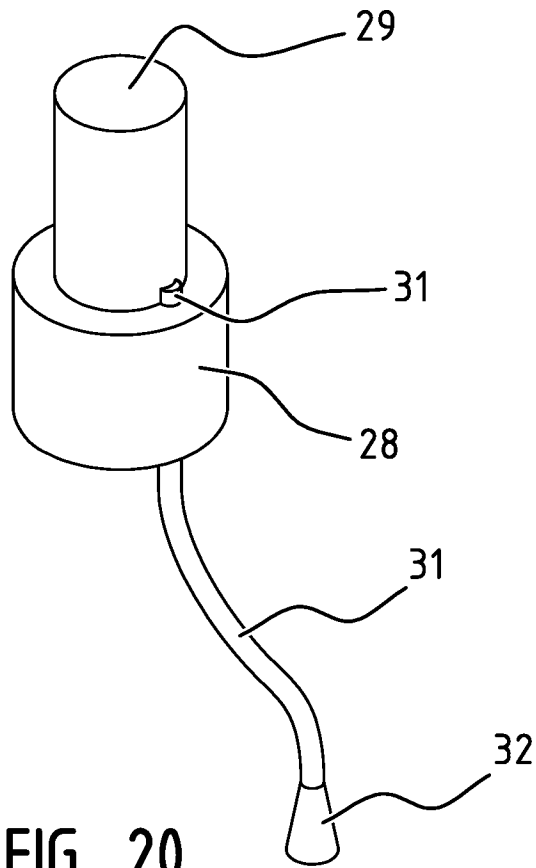


FIG. 20

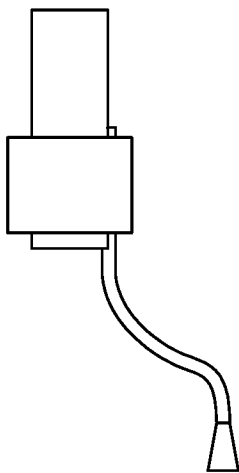


FIG. 21

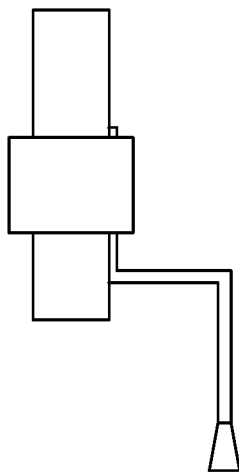


FIG. 22

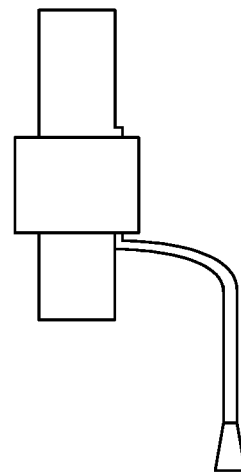


FIG. 23

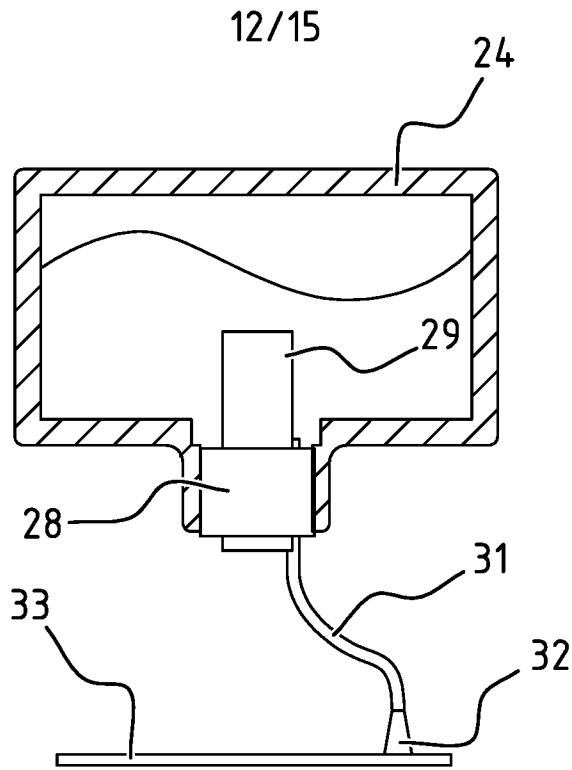


FIG. 24

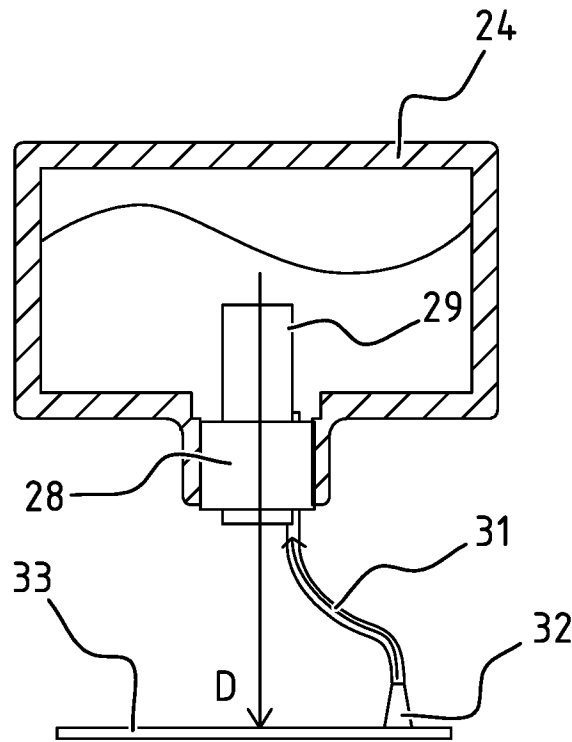


FIG. 25

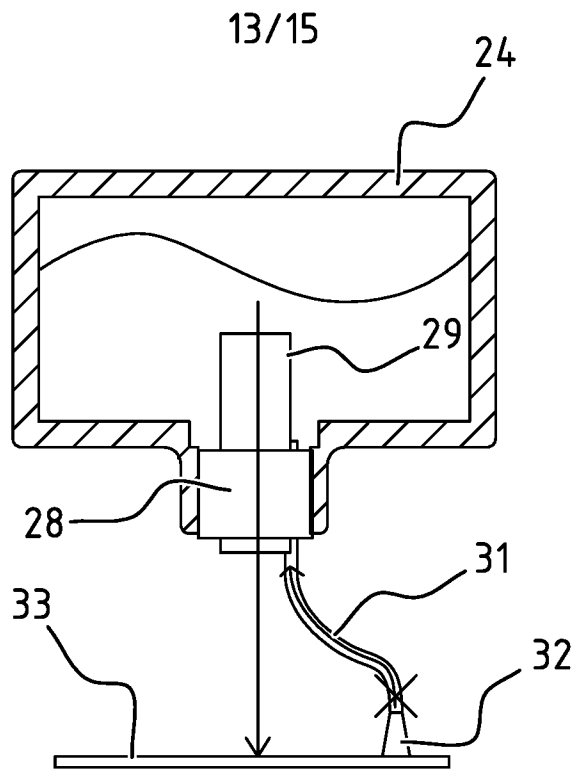


FIG. 26

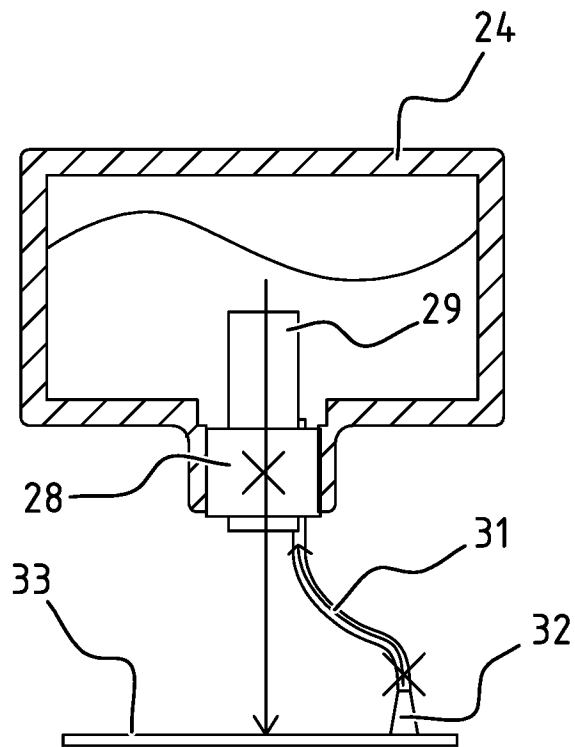


FIG. 27

14/15

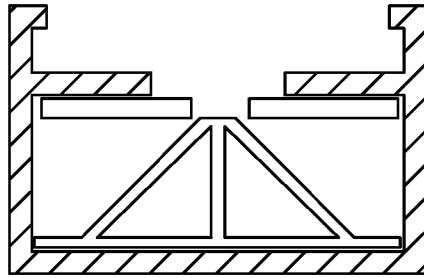


FIG. 28

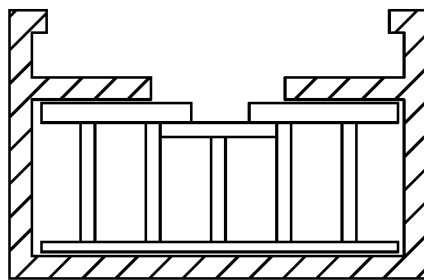


FIG. 29

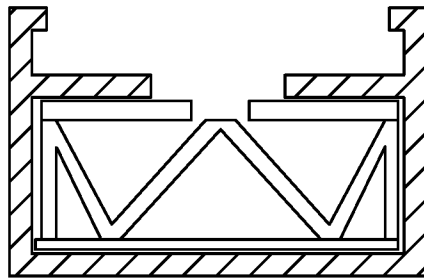


FIG. 30

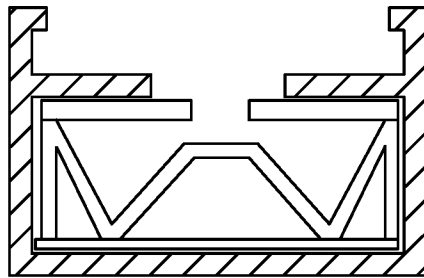


FIG. 31

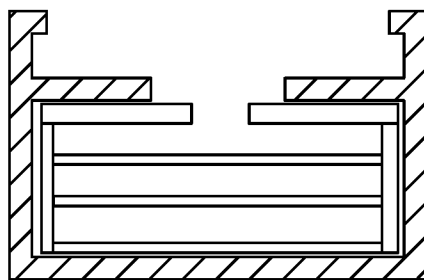


FIG. 32

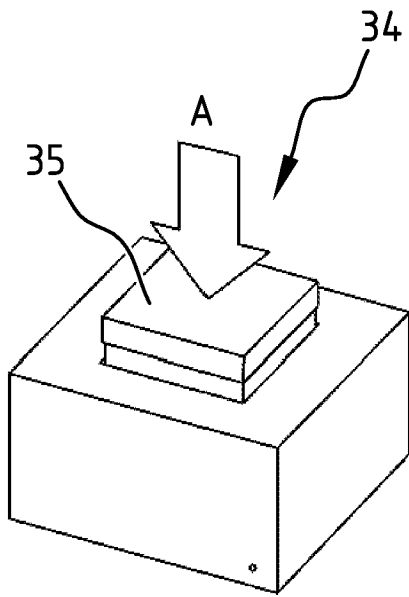


FIG. 33

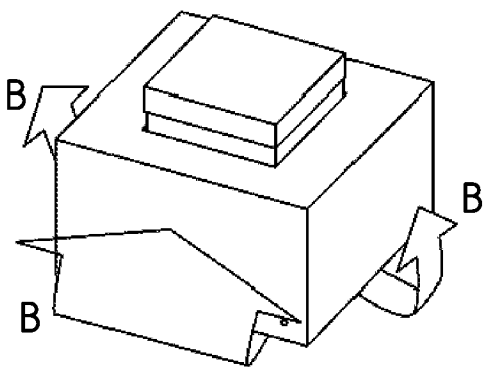


FIG. 34

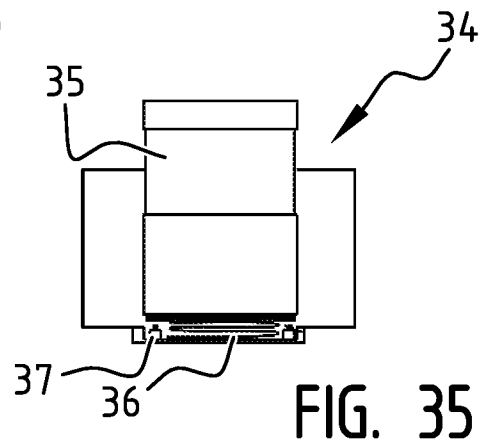


FIG. 35

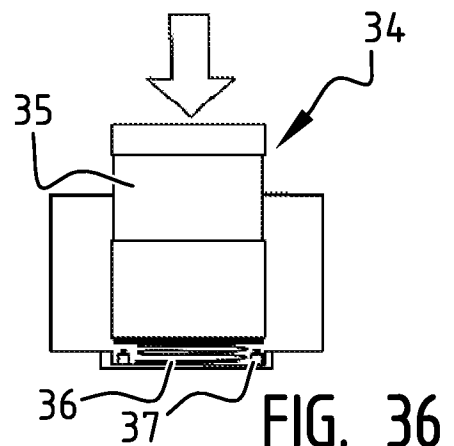


FIG. 36

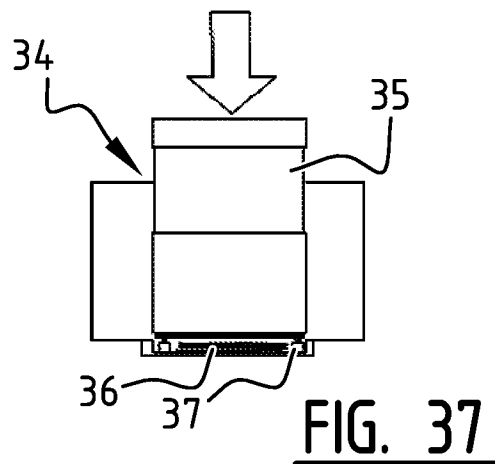


FIG. 37

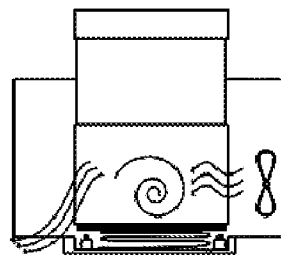


FIG. 38

**INTERNATIONAL SEARCH REPORT**

International application No PCT/NL2015/050851
---

**A. CLASSIFICATION OF SUBJECT MATTER**  
 INV. A61L9/03      A61L9/12  
 ADD.

According to International Patent Classification (IPC) or to both national classification and IPC

**B. FIELDS SEARCHED**  
 Minimum documentation searched (classification system followed by classification symbols)  
 A61L

Documentation searched other than minimum documentation to the extent that such documents are included in the fields searched

Electronic data base consulted during the international search (name of data base and, where practicable, search terms used)  
 EPO-Internal, WPI Data

**C. DOCUMENTS CONSIDERED TO BE RELEVANT**

Category*	Citation of document, with indication, where appropriate, of the relevant passages	Relevant to claim No.
X	US 4 407 585 A (HARTFORD LOUISE D [US] ET AL) 4 October 1983 (1983-10-04) column 3, line 17 - column 4, line 58; figures 4-5  -----	1-19

Further documents are listed in the continuation of Box C.       See patent family annex.

\* Special categories of cited documents :

"A" document defining the general state of the art which is not considered to be of particular relevance	"T" later document published after the international filing date or priority date and not in conflict with the application but cited to understand the principle or theory underlying the invention
"E" earlier application or patent but published on or after the international filing date	"X" document of particular relevance; the claimed invention cannot be considered novel or cannot be considered to involve an inventive step when the document is taken alone
"L" document which may throw doubts on priority claim(s) or which is cited to establish the publication date of another citation or other special reason (as specified)	"Y" document of particular relevance; the claimed invention cannot be considered to involve an inventive step when the document is combined with one or more other such documents, such combination being obvious to a person skilled in the art
"O" document referring to an oral disclosure, use, exhibition or other means	"&" document member of the same patent family
"P" document published prior to the international filing date but later than the priority date claimed	

Date of the actual completion of the international search  12 May 2016	Date of mailing of the international search report  23/05/2016
--	--

Name and mailing address of the ISA/ European Patent Office, P.B. 5818 Patentlaan 2 NL - 2280 HV Rijswijk Tel. (+31-70) 340-2040, Fax: (+31-70) 340-3016	Authorized officer  Bjola, Bogdan
--	---

# INTERNATIONAL SEARCH REPORT

Information on patent family members

International application No

PCT/NL2015/050851

Patent document cited in search report	Publication date	Patent family member(s)	Publication date
US 4407585	A	NONE	
-----			