

(19) World Intellectual Property Organization
International Bureau



(43) International Publication Date
9 February 2006 (09.02.2006)

PCT

(10) International Publication Number
WO 2006/014731 A3

(51) International Patent Classification:

A61M 5/00 (2006.01) A61F 2/04 (2006.01)
A61F 13/00 (2006.01) B05D 3/00 (2006.01)

(21) International Application Number:

PCT/US2005/025738

(22) International Filing Date: 19 July 2005 (19.07.2005)

(25) Filing Language: English

(26) Publication Language: English

(30) Priority Data:

10/895,258 19 July 2004 (19.07.2004) US
10/895,010 19 July 2004 (19.07.2004) US
10/894,647 19 July 2004 (19.07.2004) US
10/895,273 19 July 2004 (19.07.2004) US
60/686,848 1 June 2005 (01.06.2005) US

(63) Related by continuation (CON) or continuation-in-part (CIP) to earlier applications:

US 10/895,010 (CIP)
Filed on 19 July 2004 (19.07.2004)
US 10/458,085 (CIP)
Filed on 9 June 2003 (09.06.2003)

(71) Applicant (for all designated States except US): BRONCUS TECHNOLOGIES, INC. [US/US]; 1400 N. Shoreline Blvd., Mountain View, CA 94043 (US).

(72) Inventors; and

(75) Inventors/Applicants (for US only): PHAN, Loc, X. [US/US]; 3289 Pinkerton Drive, San Jose, CA 95148 (US). ROSCHAK, Edmund, J. [US/US]; 26262 Verona Place, Mission Viejo, CA 92692 (US).

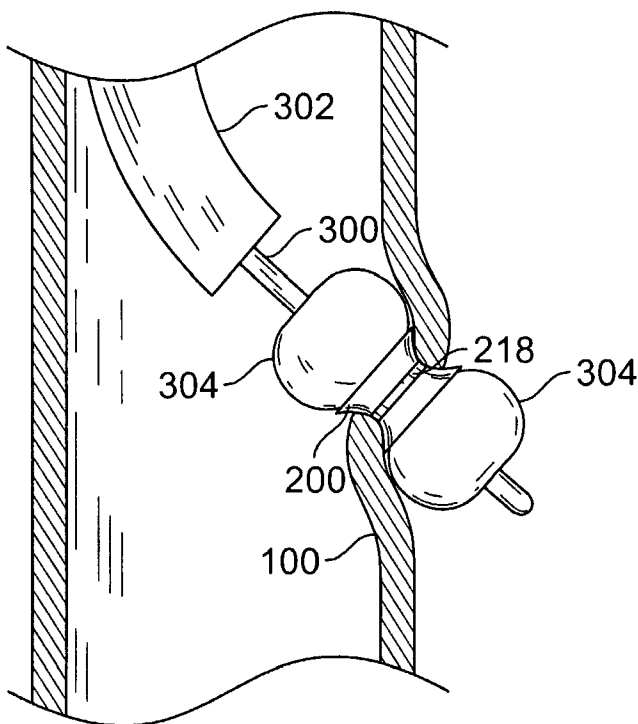
(74) Agent: BAGADE, Sanjay; Levine Bagade LLP, 2483 East Bayshore Road, Suite 100, Palo Alto, CA 94303 (US).

(81) Designated States (unless otherwise indicated, for every kind of national protection available): AE, AG, AL, AM, AT, AU, AZ, BA, BB, BG, BR, BW, BY, BZ, CA, CH, CN, CO, CR, CU, CZ, DE, DK, DM, DZ, EC, EE, EG, ES, FI, GB, GD, GE, GH, GM, HR, HU, ID, IL, IN, IS, JP, KE, KG, KM, KP, KR, KZ, LC, LK, LR, LS, LT, LU, LV, MA, MD, MG, MK, MN, MW, MX, MZ, NA, NG, NI, NO, NZ, OM, PG, PH, PL, PT, RO, RU, SC, SD, SE, SG, SK, SL, SM, SY, TJ, TM, TN, TR, TT, TZ, UA, UG, US (patent), UZ, VC, VN, YU, ZA, ZM, ZW.

(84) Designated States (unless otherwise indicated, for every kind of regional protection available): ARIPO (BW, GH, GM, KE, LS, MW, MZ, NA, SD, SL, SZ, TZ, UG, ZM, ZW), Eurasian (AM, AZ, BY, KG, KZ, MD, RU, TJ, TM), European (AT, BE, BG, CH, CY, CZ, DE, DK, EE, ES, FI, FR, GB, GR, HU, IE, IS, IT, LT, LU, LV, MC, NL, PL, PT, RO, SE, SI, SK, TR), OAPI (BF, BJ, CF, CG, CI, CM, GA, GN, GQ, GW, ML, MR, NE, SN, TD, TG).

[Continued on next page]

(54) Title: METHODS AND DEVICES FOR MAINTAINING SURGICALLY CREATED CHANNELS IN A BODY ORGAN



(57) Abstract: This is directed to methods and devices suited for maintaining an opening in a wall of a body organ for an extended period. More particularly devices and methods are directed maintaining patency of channels that alter gaseous flow within a lung to improve the expiration cycle of, for instance, an individual having chronic obstructive pulmonary disease.



WO 2006/014731 A3



Published:

- with international search report
- before the expiration of the time limit for amending the claims and to be republished in the event of receipt of amendments

For two-letter codes and other abbreviations, refer to the "Guidance Notes on Codes and Abbreviations" appearing at the beginning of each regular issue of the PCT Gazette.

(88) Date of publication of the international search report:

25 January 2007

INTERNATIONAL SEARCH REPORT

International application No.

PCT/US05/25738

A. CLASSIFICATION OF SUBJECT MATTER

IPC: **A61M 5/00(2006.01);A61F 13/00,2/04,13/04;B05D 3/00(2006.01)**

USPC: 604/8;623/23.65;424/422;427/2.28

According to International Patent Classification (IPC) or to both national classification and IPC

B. FIELDS SEARCHED

Minimum documentation searched (classification system followed by classification symbols)

U.S. : Please See Continuation Sheet

Documentation searched other than minimum documentation to the extent that such documents are included in the fields searched

Electronic data base consulted during the international search (name of data base and, where practicable, search terms used)

Please See Continuation Sheet

C. DOCUMENTS CONSIDERED TO BE RELEVANT

Category *	Citation of document, with indication, where appropriate, of the relevant passages	Relevant to claim No.
X --- Y	US 2004/0073284 A1 (BATES et al.), 15 April 2004 (15.04.2004), entire document.	1, 2, 5-10, 12, 13, 21, 28-37, 43-46, 48-52 ----- 3, 4, 17, 18-20, 38-42
Y	US 2003/0153971 A1 (CHANDRASKEARAN) 14 August 2003 (14.08.2003), entire document.	1-52
Y	US 2003/0216806 A1 (TOGAWA et al.) 20 November 2003 (20.11.2003), entire document.	1-52
X, P	US 2005/0056292 A1 (COOPER) 17 March 2005 (17.03.2005), entire document.	1-52

Further documents are listed in the continuation of Box C. See patent family annex.

* Special categories of cited documents:	"T"	later document published after the international filing date or priority date and not in conflict with the application but cited to understand the principle or theory underlying the invention
"A" document defining the general state of the art which is not considered to be of particular relevance	"X"	document of particular relevance; the claimed invention cannot be considered novel or cannot be considered to involve an inventive step when the document is taken alone
"E" earlier application or patent published on or after the international filing date	"Y"	document of particular relevance; the claimed invention cannot be considered to involve an inventive step when the document is combined with one or more other such documents. such combination being obvious to a person skilled in the art
"L" document which may throw doubts on priority claim(s) or which is cited to establish the publication date of another citation or other special reason (as specified)	"&"	document member of the same patent family
"O" document referring to an oral disclosure, use, exhibition or other means		
"P" document published prior to the international filing date but later than the priority date claimed		

Date of the actual completion of the international search: 30 September 2006 (30.09.2006) Date of mailing of the international search report: 04 DEC 2006

Name and mailing address of the ISA/US: Mail Stop PCT, Attn: ISA/US, Commissioner for Patents, P.O. Box 1450, Alexandria, Virginia 22313-1450. Facsimile No. (571) 273-3201. Authorized officer: Patricia M. Bianco. Telephone No. (571) 272-2975. *Sharon N. Greene for*

INTERNATIONAL SEARCH REPORT

International application No.

PCT/US05/25738

Continuation of B. FIELDS SEARCHED Item 1:

604/8; 623/23.65; 424/422; 427/2.28; 604/9,285,264,265,266,523; 623/1.1,1.15,1.18,1.2,1.38,1.42,1.43-1.48,11.11,23.64-23.65,23.7,23.71,23.75,924-926; 606/153-155,108; 424/423-426,428; 427/2.1,2.14,2.21,2.25; 514/824

Continuation of B. FIELDS SEARCHED Item 3:

EAST: antiproliferat\$3 and agent or composition, implant or stent or plug or conduit and antiproliferative or paciltaxel or paciltaxel adj deriviatives, urokinase, streptokinase,TPA, mucus or mucalytics, antibiotic, fibrin and lung or pleaural or plearuae, and hyperplasia near reduce or suppress or heal\$3,