



(22) **Date de dépôt/Filing Date:** 2009/09/03

(41) **Mise à la disp. pub./Open to Public Insp.:** 2010/03/18

(45) **Date de délivrance/Issue Date:** 2019/03/05

(62) **Demande originale/Original Application:** 2 735 986

(30) **Priorités/Priorities:** 2008/09/12 (AU2008904769);
2008/09/15 (AU2008904778)

(51) **Cl.Int./Int.Cl. A61M 16/06** (2006.01),
A62B 18/02 (2006.01)

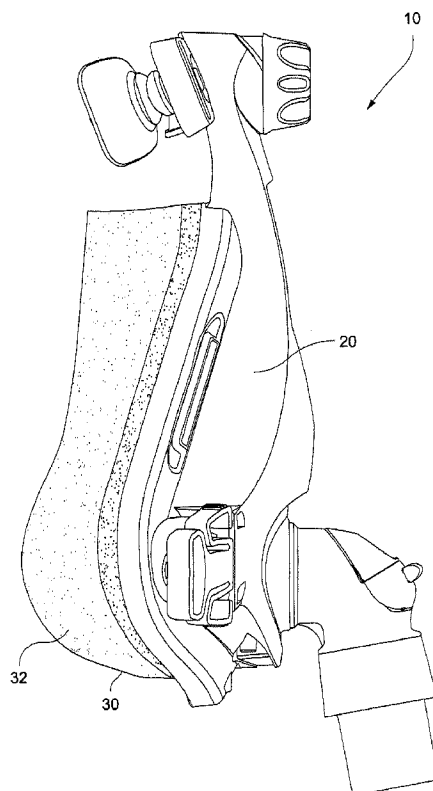
(72) **Inventeurs/Inventors:**
WELLS, ALICIA KRISTIANNE, AU;
VELISS, LEE JAMES, AU;
CARIOLA, MELANIE LUCIA, AU;
CARROLL, FIONA CATHERINE, AU;
HOWARD, SCOTT ALEXANDER, AU

(73) **Propriétaire/Owner:**
RESMED LTD, AU

(74) **Agent:** NORTON ROSE FULBRIGHT CANADA
LLP/S.E.N.C.R.L., S.R.L.

(54) **Titre : PROCÉDE ET APPAREIL POUR STRUCTURE D'INTERFACE A BASE DE MOUSSE**

(54) **Title : A FOAM-BASED INTERFACING STRUCTURE METHOD AND APPARATUS**



(57) **Abrégé/Abstract:**

A cushioning component for use with a mask is constructed of foam material. A patient contacting surface, that is adapted to contact a patient, in use, has a rounded cross sectional profile and a base surface opposed to the patient contacting surface.

ABSTRACT

A cushioning component for use with a mask is constructed of foam material. A patient contacting surface, that is adapted to contact a patient, in use, has a rounded cross sectional profile and a base surface opposed to the patient contacting surface.

A FOAM-BASED INTERFACING STRUCTURE METHOD AND APPARATUS

[0001]

FIELD OF THE INVENTION

[0002] The present invention relates to an interface between a human and a piece of equipment, for example respiratory devices that include a foam-based interfacing structure.

BACKGROUND OF THE INVENTION

[0003] In a number of fields, such as respiratory therapy, apparatus for delivery of therapy includes a rigid component and a soft, cushioning component positioned between a patient and the rigid component.

[0004] In the case of a respiratory device, the rigid component may be a mask frame defining a nose and/or mouth-receiving chamber. The mask frame may include a flange around its periphery or other connecting means.. The cushioning component may be glued or otherwise coupled to the flange or connecting means.

[0005] The cushioning component may form aa seal with the skin of the patient in some forms of respiratory therapy. In other devices, for example headphones, it may not be necessary for aa seal to be formed.

SUMMARY OF THE INVENTION

[0006] A first aspect of the invention is to provide a mask assembly with a foam interfacing structure.

[0007] Another aspect of the invention is to provide a mask assembly with a foam interfacing structure where at least a part of the foam (e.g., an unskinned part of the foam) is in direct contact with the skin of the mask user.

[0008] Another aspect of the invention is to provide a mask assembly with a foam interfacing structure where the foam is unskinned and has a cellular structure of the foam in direct contact with the skin of the mask user.

[0009] Another aspect of the invention is to provide a mask assembly with a removable foam interfacing structure.

[0010] Another aspect of the invention is to provide a mask assembly with at least two different types of removably replaceable interfacing structures.

[0011] Another aspect of the invention is to include a softer interfacing structure having portion adapted for engagement with a more rigid component.

[0012] Another aspect of the invention is to provide a respiratory mask assembly including a frame and an interfacing structure wherein the interfacing structure includes a foam-based cushion component and a clip portion adapted for removable engagement with the frame portion.

[0013] Another aspect of the invention is to provide a support structure for a cushioning component wherein the support structure supports the cushioning element on one side and allows movement on another side.

[0014] Another aspect of the invention relates to a cushion for a respiratory mask including a clip portion and a cushioning component wherein the cushioning component is constructed from a foam material and the clip portion is narrower than the cushioning component.

[0015] Another aspect of the invention relates to a respiratory mask assembly including a frame having a channel and an interfacing structure including a clip portion adapted for interference seal and retention in the channel. The interfacing structure includes a cushion component constructed from foam and having a wider width than the clip portion.

[0016] Another aspect is a foam-based cushioning component preferably having a first cross-section in a nasal bridge region, a second cross-section in a lip region and a third cross-section in the cheek region.

[0017] Another aspect is a method of manufacturing a cushioning component, e.g., die cutting and/or machining, etc.

[0018] Another aspect is a method of insert molding a clip component to a cushioning component to form an interfacing structure.

[0019] Another aspect is a cushioning component for use with a mask, wherein the cushioning component is constructed of foam material. A patient contacting surface, that is adapted to contact a patient, in use, may have a rounded cross sectional profile and a base surface opposed to the patient contacting surface.

[0020] Another aspect is a removable interfacing structure for use with a mask including a cushioning component constructed of foam material wherein a patient contacting surface that is adapted to contact a patient, in use, has a rounded cross sectional profile and a base surface opposed to the patient contacting surface is joined to a clip portion, and wherein the clip portion is adapted to be removably joined to a frame of the mask.

[0021] Another aspect is a mask including a removable interfacing structure and a frame, wherein the interfacing structure includes a clip portion and a cushioning component constructed of foam material having a patient contacting surface that is adapted to contact a patient, in use, has a rounded cross sectional profile and a base surface opposed to the patient contacting surface is joined to the clip portion, and wherein the clip portion is adapted to be removably joined to a frame of the mask.

[0022] Another aspect is a mask including a frame and an interfacing structure, wherein the interfacing structure includes a clip portion joined to cushioning component, and wherein the frame is more rigid than the clip portion and the clip portion is more rigid than the cushioning portion.

[0023] Another aspect is a cushioning component for use with a mask, wherein at least a portion of the cross section of the cushioning component includes an inner side defined by the side facing the centre of the mask, an outer side defined by a side facing away from the centre of the mask and a base side facing the frame or clip portion, wherein the length of outer side is greater than the inner side.

[0024] Another aspect is an interfacing structure for a mask including a clip portion joined to a cushioning component, wherein an upper surface of the clip portion is joined to a base surface of the cushioning component and wherein at least a portion of the upper surface is angled to provide a moment force on cushioning component, when force is applied into the cushioning component.

[0025] Another aspect is an interfacing structure for a mask including a clip portion joined to a cushioning component, wherein an upper surface of the clip portion is joined to a

base surface of the cushioning component and wherein the cross sectional width of the clip portion is less than the cross sectional width of the cushioning component.

[0026] Another aspect is a cushioning component for use with a mask, wherein at least a portion of the cross section of the cushioning component includes an inner side defined by the side facing the centre of the mask, an outer side defined by a side facing away from the centre of the mask and a base side facing the frame or clip portion, wherein the outer side further includes at least an upper and a lower portion, wherein the upper portion is positioned at a reduced angle in comparison to the lower portion.

[0027] Another aspect is a nasal mask including a frame removably connected to an interfacing structure, wherein the interfacing structure includes a cushioning component constructed of foam material, and wherein the height of the interfacing structure is reduced in relation to region that is adapted to contact the upper lip region of a patient's face.

[0028] One aspect of the present technology relates to a respiratory mask including a frame, a foam cushion and a substructure. The mask includes a nose receiving cavity. The cushion includes at least two sides: an inner side wall, which may be a wall at least partially facing the cavity; and an outer side wall. The foam cushion is soft and conforming. The substructure is constructed from a more rigid material. The foam cushion is adapted to form a seal with at least one region of a face of a patient. In use the foam cushion is supported by the substructure. A connecting surface of the substructure is defined. A patient side of the foam cushion is defined. A non-patient side of the cushion is defined. In use the non-patient side of the cushion is arranged adjacent the connecting surface of the substructure. In one form the foam cushion is glued to the substructure. In another form the foam cushion is insert moulded with the substructure. A first region of the face is defined as a corner of the mouth of the patient. A second region of the face is defined as a chin region, or alternatively a lip region of the face of the patient. An interior region of the cushion is defined as the region or cavity into which a nose of a patient is inserted in use.

[0029] In one form, a part of the connecting surface in use adjacent the first region is structured in to direct a corresponding portion of the foam cushion in an inward direction towards the interior region of the cushion in the first region in use. The cross-section of the cushion defines a radial axis and a longitudinal axis is normal to said radial axis. Preferably, at least a portion of the foam cushion is adapted to rotate towards the centre of the mask

about said longitudinal axis when pressure is applied into the cushion by the patient's face and wherein at least a portion of the outer side wall of said cushion is adapted to form a seal against the face of a patient.

[0030] Wherein portions of the cushion rotate or roll inwards towards the centre of the mask. The feature of rolling or rotating inwards may prevent or limits the possibility of the seal "blowing out" when air pressure is applied to the mask cavity. "Blowing out" is defined by the seal between the cushion and the patient's face breaking due to pressure exerted by air pressure lifting the cushion from a sealing relationship with the face.

[0031] In one form, a part of the connecting surface in use adjacent the second region is structured to direct the foam in an outward direction away from the interior region of the cushion in the second region in use. The cross-section of the cushion defines a radial axis and a longitudinal axis is normal to said radial axis. Preferably, at least a portion of the foam cushion is adapted to rotate away from the centre of the mask about said longitudinal axis when pressure is applied into the cushion by the patient's face and wherein at least a portion of the outer side wall of said cushion is adapted to form a seal against the face of a patient.

[0032] Preferably, further portions of the cushion may rotate inwards or outwards relative to the centre of the mask in positions defined as being proximal to the patient's chin. In regions or portions of the cushion that can rotate or roll inwards and outwards, this rotation may allow for seal to accommodate different sizes of chin and/or accommodate moderate amounts of mouth or jaw movement that may otherwise destruct the seal formed between the mask and the patient's face.

[0033] Another aspect of the present technology is a foam cushion for a respiratory mask wherein the cushion includes a face-contacting portion arranged in use to be adjacent the face of the patient.

[0034] Preferably in at least some regions of the face contacting portion, a cross section of the cushion tapers from a wider cross-section to a narrower cross-section closer to the face. The tapered portion defines an inside surface adjacent an interior of the cushion and an outside surface. The inside surface and the outside surface may be adjacent, in another form they may be non-adjacent. The inside and outside surfaces may be arranged at an acute

angle with respect to one another. In one form in cross-section the outside surface is longer than the inside surface in certain regions of the cushion, preferably in the nasal bridge region, or in the cheek region, or more preferably in both. In one form the inside and outside surfaces have the same length in a chin region. In one form in a lip region the inside surface is longer than the outside surface in cross-section.

[0035] In one form, the cushion is structured to at least partially form a seal on an outside surface of a face in a chin region of the cushion. We have found that a tapered sealing portion may improve the seal.

[0036] Other aspects are directed to methods for manufacturing the foam cushioning elements described above.

[0037] Other aspects, features, and advantages of this invention will become apparent from the following detailed description when taken in conjunction with the accompanying drawings, which are a part of this disclosure and which illustrate, by way of example, principles of this invention.

BRIEF DESCRIPTION OF THE DRAWINGS

[0038] The accompanying drawings facilitate an understanding of the various embodiments of this invention. In such drawings:

[0039] Fig. 1 shows a side view of a mask assembly including a foam interfacing structure according to an embodiment of the invention;

[0040] Fig. 2 shows a schematic diagram of a channel of a portion of a mask frame and a clip portion of an interfacing structure retained by an interference fit according to an embodiment of the invention;

[0041] Figs. 3a, 3b, and 3c show a range of rib engagement fitting arrangements between a mask frame and a clip portion of an interfacing structure according to embodiments of the invention;

[0042] Fig. 4a shows a patient contacting side of an interfacing structure according to an embodiment of the invention;

[0043] Fig. 4b shows a bottom view of the interfacing structure of Fig. 4a;

[0044] Fig. 4c shows a top view of the interfacing structure of Fig. 4a;

[0045] Fig. 4d shows a side view of the interfacing structure of Fig. 4a;

[0046] Fig. 4e shows a frame contacting side of the interfacing structure of Fig. 4a;

- [0047] Fig. 4f shows a patient contacting side isometric view of the interfacing structure of Fig. 4a;
- [0048] Fig. 4g shows a frame contacting side isometric view of the interfacing structure of Fig. 4a;
- [0049] Fig. 5a is a plan view showing a die cut interfacing structure wherein the clip portion includes a slot for engagement with the frame according to an embodiment of the invention;
- [0050] Fig. 5b is an isometric view of the interfacing structure shown in Fig. 5a;
- [0051] Fig. 5c is an assembly view of the interfacing structure shown in Fig. 5a with a mask frame;
- [0052] Fig. 6a shows a cross-section from a prior art nasal mask with foam cushion;
- [0053] Fig. 6b shows a detail in the nasal bridge region of the mask of Fig. 6a;
- [0054] Fig. 7a shows an elevation view detail from the frame side of the interfacing structure shown in Fig. 4e;
- [0055] Fig. 7b is a cross-section along line 7b-7b of Fig. 7a;
- [0056] Fig. 7c is a cross-sectional view showing the interfacing structure of Figs. 7a and 7b in use;
- [0057] Fig. 8 is a cross-sectional view showing the assembly of the interfacing structure of Figs. 7a and 7b and a frame according to an embodiment of the invention;
- [0058] Figs. 9a to 9d show various views of a foam-based interfacing structure according to an embodiment of the present invention;
- [0059] Figs. 10a to 10c show various views of a foam-based interfacing structure according to another embodiment of the present invention;
- [0060] Figs. 11a to 11c show various views of a foam-based interfacing structure according to another embodiment of the present invention;
- [0061] Figs. 12a to 12f show various views of a foam-based interfacing structure according to another embodiment of the present invention;
- [0062] Fig. 13 is a perspective view of a clip portion according to an embodiment of the present invention;
- [0063] Figs. 14a to 14f show various views of a foam-based interfacing structure according to an embodiment of the present invention;

[0064] Figs. 15a to 15e show various views of a cushion-to-frame component of the interfacing structure shown in Figs. 14a to 14f;

[0065] Figs. 16a to 16i show various views of the cushioning component of the interfacing structure shown in Figs. 14a to 14f;

[0066] Figs. 17a to 17h illustrate a tool and manufacturing process for manufacturing an interfacing structure according to an embodiment of the present invention;

[0067] Figs. 18a to 18c show various views of a tool for molding a clip portion according to an embodiment of the present invention;

[0068] Fig. 19 is a front view of a further embodiment of a full face cushioning component;

[0069] Figs. 20-25 depict various cross-sectional views of the embodiment shown in Fig. 19;

[0070] Fig. 26 is a front view of a further embodiment showing an interfacing structure for use with a full face mask including a cushioning component and clip portion;

[0071] Figs. 27-32 depict various cross-sectional views of the embodiment shown in Fig. 26. Fig. 29 defines a horizontal plane of connection between the cushion and the clip portion. In Figures 30 to 32 the plane of connection is at an angle with respect to the horizontal, In Fig. 30 the plane of connection is at a downward angle when moving from the outside to the inside of the interfacing portion, in Fig. 32 the plane of connection is at an upward angle when moving from the outside to the inside of the interfacing portion.

[0072] Fig. 33 is a perspective view of full face interfacing structure including a cushioning component and clip portion;

[0073] Fig. 34 is a side view of the embodiment shown in Fig. 33;

[0074] Fig. 35 is a top view of the embodiment shown in Fig. 33;

[0075] Fig. 36 is a bottom view of the embodiment shown in Fig. 33;

[0076] Fig. 37 is a back view of the embodiment shown in Fig. 33;

[0077] Fig. 38 is a front view of the embodiment shown in Fig. 33;

- [0078] Fig. 39 is a front view of a further embodiment of a interfacing structure for use with a nasal mask;
- [0079] Fig. 40 is a top view of the embodiment shown in Fig. 39;
- [0080] Fig. 41 is a bottom view of the embodiment shown in Fig. 39;
- [0081] Fig. 42 is a side view of the embodiment shown in Fig. 39;
- [0082] Fig. 43 is a back view of the embodiment shown in Fig. 39;
- [0083] Fig. 44 is a front view of a further embodiment of an interfacing structure for use with a nasal mask;
- [0084] Figs. 45-47 depict various cross-sectional views of the embodiment shown in Fig. 44;
- [0085] Fig. 48 is a chart showing exemplary material properties for a cushion component according to an embodiment of the invention;
- [0086] Fig. 49 is a chart showing exemplary material properties for a clip portion according to an embodiment of the invention;
- [0087] Figs. 50-1 to 57-2 illustrate alternative mechanisms for attaching a clip portion to a frame according to embodiments of the invention;
- [0088] Figs. 58 and 59 illustrate the rolling effect of a cushioning component according to an embodiment of the invention;
- [0089] Figs. 60-1 to 60-8 illustrate different parameters and apparatus for testing air permeability according to an embodiment of the invention;
- [0090] Fig. 61 illustrates apparatus for testing hardness according to an embodiment of the invention;
- [0091] Figs. 62-1 to 62-2 illustrate different parameters and apparatus for testing tensile strength according to an embodiment of the invention;
- [0092] Figs. 63-1 to 63-4 illustrate different parameters and apparatus for testing tear resistance according to an embodiment of the invention; and
- [0093] Fig. 64 illustrates apparatus for testing total mask flow according to an embodiment of the invention.

DETAILED DESCRIPTION OF ILLUSTRATED EMBODIMENTS

- [0094] The following description is provided in relation to several embodiments which may share common characteristics and features. It is to be understood that one or

more features of any one embodiment may be combinable with one or more features of the other embodiments. In addition, any single feature or combination of features in any of the embodiments may constitute additional embodiments.

[0095] In this specification, the word “comprising” is to be understood in its “open” sense, that is, in the sense of “including”, and thus not limited to its “closed” sense, that is the sense of “consisting only of”. A corresponding meaning is to be attributed to the corresponding words “comprise”, “comprised” and “comprises” where they appear.

[0096] The term “air” will be taken to include breathable gases, for example air with supplemental oxygen.

[0097] The term “seal” will be taken to mean to reduce the flow of air between the pressurized interior of the mask and the ambient conditions to a level sufficient to maintain a therapeutic pressure in the airways to effect treatment. Hence in some cases, there may be an air tight seal, in other cases there may be a small leak.

1. INTRODUCTION

[0098] A mask assembly used to facilitate the delivery of a supply of air or breathable gas to the entrance of the airways of a patient typically includes a generally soft, conforming interfacing structure, at least a portion of which is in contact with the patient's face and a stabilizing structure that positions and retains the interfacing structure in a suitable position with respect to the patient. The mask assembly typically includes some form of anchor point to which various components may be connected, or about which they may be arranged. In this specification, this anchor point will be referred to as the frame.

[0099] By way of example, the stabilizing structure of the mask assembly may be called “headgear” and both the headgear and interfacing structure may be connected to a frame. In some forms of mask, the boundary lines between the different components may be blurred. For example, aspects of frame and headgear may be combined.

[00100] The interfacing structure may perform two or more functions: (i) a cushioning function, performed by a cushioning component, and (ii) an interconnection function, performed by a cushion-to-frame component or clip portion. Generally, in this specification the term “clip” or “clip portion” may describe the aforementioned clip portion or a cushion to frame component for securing the cushioning component to a frame of a mask.

[00101] Forming the interfacing structure from two separate elements enables each to have different properties, such as different densities or air permeabilities as suits their different roles, as will be described in more detail in the following sections. Furthermore, the different properties of different materials can act to influence the other component. For example, a more rigid clip or cushion-to-frame portion can act as a support structure for a softer cushioning component.

[00102] However, in another embodiment, the interfacing structure may be constructed from a single component with different properties in different regions of the interfacing structure. Furthermore, the interfacing structure may be formed from more than two components.

[00103] The interfacing structure may be constructed and arranged to apply air or breathable gas to both the nose and mouth (a “nose & mouth” or “full-face” mask), or to the just the nose (a “nose” or “nasal” mask), or just the mouth (a “mouth” mask).

[00104] The statement “more rigid” may be understood to mean less flexible and/or stiffer.

2. CUSHION COMPONENT

2.1 Material

[00105] In one form, the cushioning component may be made from an unskinned, low density, permeable foam. In a preferred embodiment, the cushion component is constructed from a low resilience viscoelastic polyurethane foam. The cushioning component material may be manufactured from a free rising slabstock foam process. In other embodiments the material may be manufactured by other processes such as molding or other known processes used to produce soft and cellular materials. One or more fabrication steps (known as conversion techniques) may then be applied to the material to partially or completely form the geometry of the cushion component. These conversion techniques are described herein and in other related specifications referenced herein. Such a foam material and conversion techniques are disclosed in PCT Publication Nos. WO 2008/011682, published January 31, 2008, and WO 2008/070929, published June 19, 2008. In one form, the cushioning component may be formed in whole or in part by a known method such as die cutting. Die cutting is disclosed in PCT Application PCT/AU2009/000262, filed March 4, 2009. In another form the cushioning

component may be formed in whole or in part by using other methods such as those disclosed in AU 2008904769 and AU 2008904778.

[00106] Most foam material production techniques produce a material that has a substantially skinned material such that the density of the material at the surface is greater than the density of the material's bulk (internal) properties. The utilization of particular manufacturing techniques, such as foam conversion processes involving cutting, may allow the production of a unskinned cushioning component such that the bulk properties of the cellular material are exposed at the surface of the cushioning component, providing a number of advantages to the design, manufacture and performance of the mask assembly.

[00107] The unskinned cushion component provides improved sealing, comfort and fit range performance, sealing properties sufficient to not require a silicone membrane, and a unskinned mask assembly that allows utilization of the bulk properties of the unskinned material, e.g., porosity for breathability, fine cell structure for a comfortable feel.

2.2 Shape

[00108] The interfacing structure is preferably constructed and arranged to have a three dimensional shape defined in part by a locus of points surrounding and complementary to the entrance to the relevant airways. Furthermore, the interfacing structure has a cross-section chosen at different points around its perimeter to provide efficacy and comfort by being suitably shaped to adapt and conform to the face of the user forming a compression-type seal. In another configuration, a flap-type seal is formed.

[00109] The shape of the interfacing structure may be adapted to allow the cushioning component to provide a better fit and seal against the face of the patient.

[00110] In an embodiment, the geometry of the cushion may be at least partly determined by the geometry of the frame to which it is to be attached. For example, the general shape of a small size cushion may be different than the general shape of a large size cushion because the small and large size frames may be different, e.g., the small may be more stout or wide while the large may be more elongated and thinner.

2.2.1 Full Face Mask

[00111] Figs. 16g to 16i show various cross-sections through one embodiment of the cushioning component 932 (origin of cross section shown in Fig. 16f). Fig. 19 shows an

alternative embodiment of the present invention with corresponding cross sections in Figs. 20-25.

[00112] Figs. 33-38 depict a further preferred embodiment of a interfacing structure wherein the interfacing structure includes a co-molded or otherwise attached cushioning component and a clip portion

[00113] Preferably, the full face masks depicted in this specification may have cushioning components about 105-110 mm in width (as measured from the outer most edges of the base surfaces); and a length of between 120-150 mm.

Nasal Bridge Region

[00114] As shown in Fig. 16g, the cross section at the nasal bridge region NB is generally triangular. The cross section at the nasal bridge region NB may also be another other reasonable shape, such as generally rectangular, oval, octagonal etc. In addition, it is possible for the cross section at the nasal bridge region to include a shape with generally rounded or curved corners. The cross section at the nasal bridge region may also be an irregular shape. Fig. 20 shows an alternative cross section for the nasal bridge region.

[00115] There is a radius r1 at the apex 2010 of the cross section, that may be relatively small or sharp radius at the nasal bridge region NB. For example, radius r1 may be between 1 to 4 mm. This relatively small or sharp radius at radius r1 provides the advantage that the cushioning component is kept away from the patient's eyes, especially when the cushioning component is compressed and inflated with air pressure in use. The relatively small or sharp radius at radius r1 may also enable minimal contact of the mask with the patient's skin, so as to make the mask feel more comfortable and less obtrusive.

[00116] As best shown in Fig. 20, apex 2010 of the generally triangular cross section may be skewed or offset. The apexes or the corners of the generally triangular cross sectional may be rounded to promote a better fit with the patient and/or a better seal. This offset is shown on Fig. 20, where apex 2010 and center line 2015 are spaced by distance 2020. Distance 2020 may be preferably around 1-2mm at the position proximal to the patient's nose. The comparable offset in the cushioning component about the portion adapted to cover the bottom lip of the patient is preferably 8mm. The comparable offset in the cushioning component about the portion adapted to cover the cheeks of the patient is preferably 1.25mm.

Fig. 20 demonstrates an offset towards the inner edge of the cushioning component.

Alternatively the apex may be skewed, or over the outer edge of the cushioning component.

[00117] Additionally, the generally triangular cross section of the cushioning portion may also additionally be defined as having three sides: an inner side which faces into the centre of the mask; an outer side facing away from the centre of the mask and a base surface, which may be adapted to be joined to a clip portion, at least in part.

[00118] The outer side of surface of the cushioning portion is generally adapted to be longer than the inner surface. This may allow the cushioning component to, in effect, roll, bend or move inwards. The rolling motion leads to an extension of the sealing surface formed between the skin of the patient and the cushioning component. As the cushioning component is depressed, the contact region against the patient's skin is lengthened from the minimum contact point which is the apex to at least partially extending along the outer surface or side of the cushioning component.

[00119] For example, the apex of the triangle that contacts the user's face (Fig. 58) enables the cushion component 932 to deflect or roll such that if the apex is towards the inner part of the cushion component, the cushion component will roll inwards and over the clip portion 934 about hinge point 939. Air pressure AP from the CPAP device (Fig. 59) acts on the back of the rolled section of the cushion component 932 such that the air pressure forces the cushion component into sealing engagement on the patient's face.

[00120] The rolling effect or the turning moment force, when the mask is pressed onto the face, can be also increased or assisted the positioning or shape of the clip portion attached to the cushioning portion. Preferably, the clip portion 3234 may be joined to the base surface of the cross section of the cushioning component. More preferably, the clip is mounted proximal to the outer side of the cushioning component, and provides little or no support relative to the inner side of the cushioning component. Preferably, the clip portion may not generally support the inner side of the cushioning component.

[00121] Preferably, the clip portion includes a stepped configuration when viewed in accordance with its cross section. In Figs. 27-32, a preferred clip portion is joined to a cushioning portion. The stepped configuration is adapted to mate with a corresponding groove, slot or recess in the frame to provide a seal. In this embodiment, the step formation is oriented towards the outer side of the cushioning component for ease of use by the patient.

[00122] Preferably, the clip portion is joined to the cushioning component by an upper side. The upper side of the clip portion may be shaped to assist with: sealing of the cushioning component; comfort; and/or the aforementioned rolling effect of the cushioning component. In Figs. 30-31, the upper side of the clip portion has been angled towards the centre of the mask by lengthening the outer side of the clip portion relative to the shorter inner side of the clip portion. This angling of the upper surface of the clip portion is adapted to aid or assist in the rolling in effect of the cushioning component. Additionally, in the embodiments shown in Figs. 26-32, the angled upper side of the clip portion has been included on the lower corners of the mask. For example, as shown in Figs. 30 and 31, the upper surface of the clip portion is angled to enhance rolling and sealing in lower cheek and lip regions (e.g., a1 and a2 between about 0-20°). As shown in Fig. 32, the angle of the upper surface in the chin region (e.g., a3 between about 0-20°) is oriented opposite that in the lower cheek and lip regions (e.g., the bottom lip region) (Figs. 30 and 31), e.g., for manufacturability.

[00123] Preferably, the upper corner which is adapted to engage the nasal bridge of the patient, the upper surface of the clip portion is flat and not angled towards to the centre of the mask. This is generally because the region around the nose doesn't require as much "roll" as the sealing area against the sides of the nose is relatively long compared the regions around or about the cheeks of the patient. This feature is demonstrated in Figs. 27 and 28.

[00124] Preferably, the nasal bridge region also includes a modification to the base surface, wherein the base surface has been reduced or shortened to thereby reduce the volume of foam material rolled inwards at the nasal bridge.

[00125] Fig. 32 depicts the interfacing structure wherein the upper surface of the clip surface has been angled outwards relative to the centre of the mask. This reduces the effect of "roll in" in the predetermined regions including this outwardly disposed angle of the upper surface. Generally, the outwardly disposed angle of the upper surface is suitable for regions requiring reduced "roll in" such as around the bottom lip or around the upper lip (in the nasal mask configurations). Another way to regulate "roll in" is by changing the amount of overhang of the cushioning component with respect to the clip portion.

[00126] As shown in Fig. 16f, the inner apex 2050 of the cushion has the radius of curvature of between 3 to 10mm (most preferably 3-5mm). This is similarly shown in Fig. 19,

where the inner apex 2050 of the cushion has the radius of curvature. The size of this radius may affect the durability, and more specifically the tear strength of this region.

[00127] As shown on Figs. 16g and 20, inner edge 2090 may have an angle 2100 from the base of the cushioning component. Angle 2100 may influence the amount of the cushioning component that may contact the patient. For example, angle 2100 shown in Fig. 16f may be larger than angle 2100 shown in Fig. 20, such that more of the cushioning component in Fig. 16f may contact the patient's face than that of Fig. 20. Preferably, angle 2100 may be about 90-95 degrees. The angle of the outer side or edge meeting the base surface is preferably between 78-83. Preferably, the angle by which the outer side meets with the base surface is generally less than the angle formed between the inner side and the base surface.

[00128] The most preferred maximum width of the nose bridge region (as measured along the base surface) is 22mm and most preferred maximum height of the cushioning component at the nose bridge position is approximately 24 mm.

Bottom Lip Region

[00129] As shown in Fig. 16g, the cross section at the bottom lip region BL may preferably be generally trapezoidal. The cross section at the bottom lip region BL may also be another other reasonable shape, such as generally rectangular, oval, octagonal etc. In addition, it is possible for the cross section at the bottom lip region to include a shape with generally rounded or curved corners. The cross section at the bottom lip region may also be an irregular shape. Fig. 25 demonstrates this feature in a cross section for the bottom lip region.

[00130] Preferably, in the embodiment depicted in Fig. 25, the apex 950 is skewed towards the centre of the mask, the outer side or surface of the cushioning component at the region that is adapted to contact the bottom lip region of the patient. The outer side has been divided into an upper and a lower portion, wherein the upper portion is at a reduced angle in respect to the lower portion. The apex 950 is adapted to rest or engage the cleft formed between the bottom lip of the patient and lower extremity of the chin. The upper portion is adapted to engage the patient's face at a position lower and extending away from the cleft. Thereby providing an increased sealing surface between: the patient's face at the location

between the bottom lip and the lower extremity of the chin; and the outer side of the cushioning component.

[00131] As best shown in Fig. 16g and 25, the patient contacting surface 940 is generally flat or has a larger radius r_2 when compared to the nasal bridge region radius r_1 . This arrangement aids in comfort and increases the length of the sealing surface such that a better seal may be maintained.

[00132] In Fig. 25, the radius r_2 at the apex of the cushion is preferably about 5mm.

[00133] Alternatively, patient contacting surface 940 may have apex 950 that may first contacts the patients face and anchors the cushion in the dimple of the chin or curvature between the lower lip and chin region. Apex 950 may have a relatively small radius r_2 when compared to that radius r_2 shown in Fig. 16g. Radius r_2 may be about 5mm. Patient contacting surface 940 may also have a kink or inflexion 960 that may generally match the approximate curvature of the chin so as to rest the cushion on the chin to sealingly engage the cushion with the patient. This kink 960 also allows apex 950 to flex inwards towards the centre of the cushion, and outwards away from the centre of the cushion, so as to accommodate movement of the patient's chin or jaw. For example, it is possible for patients to drop their jaw during sleep, so in order to maintain a seal with the patient, the mask must be able to move with the patient's jaw. This arrangement further enables a greater fit range of patients, i.e. kink 960 may flex either inwards or outwards on a patient's jaw depending on the length and depth of their chin, other facial features etc.

[00134] Additionally, as shown in Figs. 16g and 25, the internal wall 942 of the cushioning component is arranged substantially vertical or normal to the face of the patient in use as demonstrated by angle 2150. This arrangement reduces the likelihood of the foam cushioning component touching the patient's bottom lip when compressed in use, a problem that may occur for larger faces within each size range.

[00135] The preferred maximum width of the cushioning component as measured in respect of the base surface is generally about 35mm in relation to the bottom lip region. The preferred maximum height of the cushioning component is generally about 26mm in relation to the bottom lip region.

[00136] In Fig. 25, the angle formed between the outer side and base surface is approximately between 80-90 degrees; and the angle formed between the inner side and the base surface is approximately between 90 to 100 degrees. Preferably, the angle by which the

outer side meets with the base surface is generally less than the angle formed between the inner side and the base surface.

Side of Nose Region

[00137] As shown in Fig. 16h, the cross section at the side nose SN is generally triangular. The cross section at the side nose region SN may also be another other reasonable shape, such as generally rectangular, oval, octagonal etc. In addition, it is possible for the cross section at the side nose region to include a shape with generally rounded or curved corners. The cross section at the side nose region may also be an irregular shape. Figs. 21 and 22 show an alternative cross section for the side of nose region.

[00138] Fig. 16h shows a cross-section of the cushioning component in a side of nose region SN. Similar to the nasal bridge region NB as shown in Fig. 16g, the cross section is generally triangular. However the triangular cross section is skewed or biased towards the inner edge of the cushioning component. This arrangement aids with sealing because inner wall 944 abuts the side of the patient's nose in use, thereby increasing the sealing surface. This is similarly demonstrated in Figs. 21 and 22.

[00139] Preferably, the outer side is longer than the inner side. Also preferably, the angle formed between the outer side and the base surface is generally less than the angle formed between the inner side and the base surface.

[00140] The most preferred maximum width of the side of nose region (as measured along the base surface) is 22mm and most preferred maximum height of the cushioning component at the side of nose position is approximately 24mm.

Cheek Region

[00141] As shown in Fig. 16i, the cross section at the cheeks C is generally trapezoidal or triangular. The cross section at the cheeks region C may also be another other reasonable shape, such as generally rectangular, oval, octagonal etc. In addition, it is possible for the cross section at the cheeks region to include a shape with generally rounded or curved corners. The cross section at the cheeks region may also be an irregular shape. Figs. 23 and 24 show an alternative cross section for the cheek region.

[00142] Fig. 16i shows a cross-section of the cushioning component in a cheek region C. As illustrated, the contacting surface or apex 946 where the cushioning component

contacts the patient's cheek is similar to that at the bottom lip region BL as shown in Fig. 16g. The cross section is generally triangular, and may have a smaller top surface 946 when compared to the top surface 940 of the bottom lip region BL. This arrangement aids sealing around the patient's cheeks in use and increases the comfort of the interfacing portion, while reducing the bulk of the interfacing portion at the cheek region C.

[00143] A similar arrangement is shown in Figs. 23 and 24. However, as shown in Fig. 24, inflexion 950 changes the curvature of the side wall of the cushion so that it may hinge or bend inwards. This may increase the ability for the cushion to seal on the patient's face when in use.

[00144] Preferably, the outer side of cushioning component is longer than the inner side. Also preferably, the angle formed between the outer side and the base surface is generally less than the angle formed between the inner side and the base surface.

[00145] The most preferred maximum width of the cheek region (as measured along the base surface) is 23mm and most preferred maximum height of the cushioning component at the cheek region is approximately 24mm.

[00146] Additionally, when the clip portion is joined or mounted to the cushioning component, the apex of the cushion is additionally offset towards the centre or middle of the mask. In the described embodiments, the apex may be offset to the extent that it overhangs the point formed between the inner side and the base surface.

2.2.2 Nasal Mask

[00147] Figs. 39 to 47 show an alternative embodiment of the present invention. Cushion component 4000 may be used as a nasal mask that only covers the nose of the patient in use, and is positioned on the nose bridge, side of nose, cheeks and or upper lip region and may not cover the patient's mouth.

[00148] Preferably, the cushioning component of the nasal mask shown in respect of these embodiments is preferably: 70-75mm in length (when measured from the outer most edges of the base surface of the cushioning component); and the width of the cushioning component is approximately 75-80mm.

Nasal Bridge Region, Side of Nose Region and Cheek Region

[00149] The nasal bridge region 4200, side of nose region 4300 and cheek region 4400 may be generally similar to that described above for a full face cushion.

[00150] The preferred height of the cushioning component at the region designated to correspond to the nasal bridge of the patient is approximately 22mm. The height of the cushioning component at the position designated to meet the side of the nose is approximately 25-27mm. The height of the cushioning component at the position designated to meet the patient's cheek regions is approximately 27mm.

[00151] The preferred width of the cushioning component in the side of nose regions is typically about 20mm. Whereas the preferred width of the cushioning component in the cheek regions is typically about 18mm.

Upper Lip Region

[00152] As shown in Figs. 39 and 41, cushion component 4000 may have an upper lip region 4100 that has a dip or region of reduced height (when viewed from a side view as shown in Fig. 41) relative to the height of other regions 4200. This feature may accommodate various upper lip regions of patients whilst avoiding accidental occlusion of the nares. The overall reduction in the amount of foam material may reduce the risks for patients.

[00153] The preferred width of the cushioning component in the upper lip region is typically about 16mm. The width of the cushioning component in the upper lip region may be 10-20mm. The width of the cushioning component in the upper lip region may be 15-20mm. The width of the cushioning component in the upper lip region may be 12-20mm. The width of the cushioning component in the upper lip region may be 10-15mm. The width of the cushioning component in the upper lip region may be 10-18mm. The width of the cushioning component in the upper lip region may be 10-14mm.

[00154] The preferred height of the cushioning component at the region designated to correspond to the upper lip of the patient is approximately 18mm. The height of the cushioning component in the upper lip region may be 10-20mm. The height of the cushioning component in the upper lip region may be 10-25mm. The height of the cushioning component in the upper lip region may be 15-20mm. The height of the cushioning component in the upper lip region may be 16-23mm.

Fit Range

[00155] Because of the wide range of sizes and shapes of different people's faces, it is a continual challenge for mask designers to determine the least number of mask shapes required to fit the broadest range of patients. In one ideal form, a single mask shape would fit all patients.

[00156] A mask assembly in accordance with the invention provides an improved fit range. This maybe preferably achieved by combining a more comfortable and compliant material with a more anatomically neutral geometry that seals against a wider range of facial anatomy for a given shape.

[00157] The versatility of a chosen cushion shape, and hence its fit range performance, is also enhanced by the 'hovercraft' behavior exhibited by the cushion. In this context the "hovercraft" behavior is generally defined by the air pressure in the cavity of the mask when the air pressure in cavity of the mask is greater than the outside environmental air pressure and thereby allows the mask to float on the face of the wearer. The pressure seal is preferably formed by the cushioning component. This feature may enhance the ease and speed of fitting the mask.

[00158] When pressurized with air the cushion material has extra extensibility compared to other known cushion materials. The soft flexible cells in the foam material effectively stretch when inflated allowing the material the freedom to enlarge. This allows the cushion material to have an extra dimension of conformability over other cushion materials known in the art e.g. silicone, by being able to expand and morph to facial anatomy when inflated with air pressure. This is, in part, also achieved by combining an expandable open-cellular structure in direct communication with the air that is providing the positive airway pressurization. It is the flow of air through the sealing material that forms a fine layer of pressurized air between the facial skin, and the flexible nature of the cushion material that enables this hovercraft effect, hence making it easier to fit to the face. The foam being less sticky than silicone also has a significant advantage in achieving an easy, fast and comfortable fit.

2.3 Method of Manufacturing

[00159] The following manufacturing techniques may be used to create a range of shapes and cross-sections as may be required for different facial shapes. Since the cushioning component is preferably made from unskinned foam, one or more cutting processes may be

used to create the part, such cutting processes including die cutting, and/or machining, etc. Alternatively the cushioning component may be molded with measures taken in the process to minimize the skin on the foam component, or the skin being subsequently removed from the molded component in a post process e.g. machined. Preferably, the foam material used in the herein described embodiments may be an open and closed cell foam. The foam material used may be an open cell foam. The foam material used may be a closed cell foam.

2.3.1 Die Cutting

[00160] In the illustrated embodiment shown in Figs. 4a-4g, both an inside surface and an outside surface of the foam cushion component 232 are die cut. This typically results in generally straight cut edges. The cushion in these embodiments may have a generally rectangular cross section, where the top surface is generally substantially parallel to the patient's face in use, and the inner and outer side surfaces are generally perpendicular to the patient's face in use. It may be possible to die cut the foam using additional processing steps to create a non-rectangular cross section, e.g. the use of shims. The die cutting of a cushion component then from a flat sheet of foam results in a flat backed cushion component which may subsequently take the shape of a clip that it is assembled to e.g. glued. The foam cushion is therefore deformed into its final intended shape.

[00161] To create a curved backed cushion, that for example matches the shape of a curved clip without stretching or deformation, the cushion component may be die cut from a foam sheet that is cut into a curved shape rather than a flat sheet. The curved sheets may be formed from a known process referred to as contour cutting, where a foam block is cut into curved sheets by being fed into an oscillating blade that changes position and orientation during the cutting process.

[00162] In addition to die cutting or in the alternative, the cushioning component, e.g., as shown in Figs. 9a to 12f, may be cut into a three-dimensional shape or geometry using the techniques described in AU 2008904769 and AU 2008904778.

[00163] Figs. 9a to 9d illustrate a foam-based interfacing structure 430 including a foam cushion component 432 and a clip portion 434. Outer wall 400 may include contours and curvature incorporated into the design. The inner, patient contacting wall (or orifice) 402

may be die cut as known in the art. Again, this typically results in straight cut edges (e.g., see Figs. 9b and 9d).

[00164] Figs. 10a to 10c illustrate a foam-based interfacing structure 330 including a foam cushion component 332 and a clip portion 334, wherein the cushion component 332 includes localized regions with curvature or ridges, e.g., ridges 350 along cheek regions of the cushion component, a curvature 352 along the nasal bridge region of the cushion component, etc. In addition, the cushion component 332 is contoured along the chin region of the cushion component. The straight die cut inner and outer edges remain perpendicular to the patient's face in use similar to the previous embodiment.

[00165] Figs. 11a to 11c illustrate a foam-based interfacing structure 530 where a localized region 552 in the cushion component 532 at the nasal bridge has been raised, e.g., formed with a curved surface.

[00166] Figs. 12a to 12f illustrate another embodiment in which a foam-based interfacing structure 630 including a foam cushion component 632 and a clip portion 634, wherein the foam cushion component 632 includes a slab of foam that is cut using methods known in the art. This process may be repeated in order to cut the outer wall 600 of the cushion component and then the inner, patient contacting wall (or orifice) 602 of the cushion component.

3. CLIP COMPONENT

3.1 Material

[00167] The cushion-to-frame component may be made from a material that has greater structural integrity than the cushioning component. In a preferred embodiment the clip is made from polyurethane foam that has higher hardness, higher density, and lower permeability than the foam used for the cushioning component. The clip/cushion-to-frame component may be formed in a mould giving rise to a harder, denser, lower permeability foam having a skin. In an alternatively preferred embodiment, the clip may be constructed of a non-foamed polymer, for example (but not limited to), nylon, polycarbonate, polypropylene.

[00168] Preferably, the clip portion or clip component may be of reduced hardness or increased flexibility in comparison to the frame portion of the mask to which it is to be connected or secured with.

3.2 Shape

[00169] The clip 934 is shown generally in Fig. 13, and in more detail in Figs. 15a-15e. The clip 934 is generally shaped in order to align with the frame. However, the general curvature of the clip 934 can be altered to suit the frame to which it is to be fitted. The general curvature of the clip may also be used to shape the cushion component. Since the cushion component is made from compliant foam, it will readily adapt to the shape of the clip when joined together. An example of where this may be an advantage is when the cushion component is made to have a flat back (from a flat foam sheet as described previously) and is given its final shape by assembly (e.g. glued) to a clip that gives the cushion its intended shape (e.g. curved).

[00170] The clip may also be made flat. The cushion can therefore also be made with a flat back to match the clip. The overall intended shape of the interfacing structure (combination of clip and cushion) can therefore be alternatively achieved by the flat clip and cushion being deformed and retained into a curved frame. This embodiment allows clip to be manufactured flat which can have several advantages including ease of handling and alignment during manufacture, packaging and transportation. The clip can therefore be formed by alternative methods e.g. die cutting from flat sheet material.

[00171] The clip may also be made curved. This may be achieved by several means including molding directly into a curved shape, die cutting from curved (contour cut) sheet, or heat forming a flat clip die cut from a thermoformable material. Having the clip curved allows ease of alignment and assembly to a curved frame, as well as giving the cushion a curved shape if the cushion is made from a process that results in it having a flat back.

[00172] In a preferred embodiment the clip is made from molded polyurethane. The cushion contacting surface 935 is generally smooth so that it can continuously join and seal to the underside of the cushion. Cushion contacting surface 935 has a lip 935a to enable alignment of the clip to the frame.

[00173] Frame contacting surface 937 has three alignment tabs 938 protruding from its surface that engage with the frame. There may be any number of alignment tabs 938 to aid the patient in aligning the interface structure with the anchoring structure. It should also be appreciated that the clip need not have alignment tabs 938 to engage the clip with the frame.

[00174] The clip may also be made to incorporate features that engage the frame to aid retention of the interfacing structure to the frame. Examples include, but are not limited to, surface roughening, ribs, notches, snaps etc.

3.3 Method of Manufacturing

[00175] The clip component may be separately formed as will be now described, or insert molded as will be described later in this specification.

[00176] By way of example, Figs. 18a to 18c illustrate a tool to mold a clip portion by itself, where the clip portion may subsequently be attached to the cushion component, e.g., by an adhesive or simply adhesion between the clip and cushion component. As illustrated, the tool includes a top half 1560 and a bottom half 1565 which are adapted to be joined together to form the clip portion. As shown in Fig. 18b, the tool provides a curved parting line PL between the top and bottom halves 1560, 1565.

[00177] The bottom half 1565 includes a cavity 1567 adapted to receive the material (e.g., foaming mixture) that will form the clip portion. Also, the center section 1568 of the bottom half 1565 accommodates a separate insert that acts as a manual ejection feature after molding. The top half 1560 provides a surface 1562 that will form the side of the clip portion for interfacing or joining with the cushion component.

[00178] The top and bottom halves 1560, 1565 of the tool are constructed and/or arranged to facilitate demolding of the clip portion from the tool so that the clip portion will not adhere to the tool. For example, the top and bottom halves 1560, 1565 may be constructed of a material from which the mold material (e.g., foaming mixture) may be removed (e.g., high density polypropylene, silicone). Alternatively, a demolding agent (e.g., wax) may be provided to the top and bottom halves to facilitate demolding.

[00179] An alternative demolding aid may be a release film that lines the tool and releases from the clip material easily after molding. In a preferred embodiment the release film may double, in whole or in part, as the packaging for the interfacing structure such that the product leaves the molding process already packaged. In another embodiment the clip includes a tab at one or a number of locations that facilitates gripping of the part for demolding during the manufacturing process. This tab feature may also double as an alignment feature for assembly and a gripping feature for disassembly for the user of the mask assembly.

[00180] In another embodiment the clip may include a tab feature that includes an end of life indicator for the interfacing structure.

4. SUB-ASSEMBLY

4.1 Relative position

[00181] In accordance with an embodiment of the invention, a range of different arrangements of clip portions and cushion components may be provided. For example, the width of the clip portion may preferably match or be less than the maximum width of the cushion component, the width of the cross section of clip portion may be less than the width of the cross section of the cushion component. In these different configurations with different relative widths, the clip portion provides different forms of support to the cushion component.

[00182] Wherein the width of the cross section of the clip portion is less than the width of the cross section of cushion component, the clip portion and cushion component may be arranged such that (i) the outer perimeter of the clip portion and cushion component align (hides hardness of clip portion and provides desired freedom of movement in the cushion component), (ii) the inner perimeter of the clip portion and the cushion component align, or (iii) neither the inner or outer perimeter of the clip portion and the cushion component align.

[00183] Similarly, wherein the width of the clip portion is greater than the width of the cushion component, the clip portion and cushion component may be arranged such that (i) the outer perimeter of the clip portion and cushion component align, (ii) the inner perimeter of the clip portion and cushion component align, or (iii) neither the inner or outer perimeter of the clip portion and the cushion component align.

[00184] When the width of the clip portion is less than the width of the cushion component and the outer perimeter of the clip portion aligns with the cushion component, the cushion component may preferably be more able to flex in regions or directions not having a clip portion next to it than in regions having a clip portion adjacent to it or supporting it. For example, where the cushion component overhangs the clip portion, that overhanging region of the cushion component has more freedom to move. This arrangement can be more comfortable and more able to adapt to different geometries of a person, and provide the correct vectors to seal the cushion component against the face.

[00185] Preferably, the clip portion is to be joined to a cushioning component by a base surface of the cushioning component. It may also be preferably to arrange the clip portion to support the external extremity (relative to the circumference of the mask) of the base surface and to have no or little support inner extremity of the base surface.

[00186] When used as part of a respiratory mask, it may be preferable that the inner portion of the cushion component overhang the clip portion. In this arrangement in use, the face of the patient may engage with an unsupported inner edge of the softer cushion component causing it to bend and conform to the individual patient's shape. When the mask engages a patient's face, the cushioning component may roll inwards towards the centre of the mask when pressure is applied on the mask towards the patient's face.

[00187] Fig. 7a shows an elevation view detail from the frame side of the interfacing structure 230 shown in Fig. 4e in a nasal bridge region. As shown in cross-section in Fig. 7b, it is apparent that the width w_2 of the clip portion 234 is less than the width w_1 of the cushion component 232 and that the outer perimeter of the clip portion 234 and the cushion component 232 are aligned. An advantage of this arrangement is illustrated in Fig. 7c where in use the nose is able to push the inner perimeter of the cushion component 232 in the direction shown by the arrow, in a cantilever manner as well as compressing. Fig. 8 is a cross-section showing the clip portion 234 of the interfacing structure 230 received within the channel 22 of a mask frame 20.

[00188] This arrangement is in contrast to prior art cushions (such as the Lifecare™ mask shown in Figs. 6a and 6b) where the inner perimeter of the cushion C abuts the frame F, and hence it is not free to move inwardly and can only compress.

[00189] Figs. 26-32 show an alternative embodiment of the present invention. Fig. 26 shows the cross sections later shown in Figs. 27-32. Cushion component 3232 may be attached to clip component 3234. Cushion component 3232 may be similar to that shown in Figs. 19-25. Clip component 3234 may have upper surface 3500 that attaches to cushion component 3232. Upper surface 3500 may be generally horizontal when in use or assembled, as shown in Fig. 27, 28, and 29. In addition, this may position the tangent to apex 3600 of the cushion component 3232 generally parallel to upper surface 3500. Alternatively, upper surface 3500 may be generally curved or angled inwards towards the inner portion of the cushion so as to angle the cushion more towards the centre of the patient's face, as shown in Figs. 30, 31, and 32. Therefore, tangent to apex 3600 may not be parallel to upper surface 3500. In an embodiment, the upper surface 3500 may be angled in one or more selected regions, e.g., lower cheek or chin regions to fit patients with more narrow, shallow faces (see Figs. 30-32).

[00190] In an embodiment, as shown in Figs. 27-32, the outer edge of the cushion component may slightly overhang (e.g., 1 mm overhang) the clip component, e.g., for manufacturability.

4.2 Glue

[00191] The two layers (i.e., the cushion component and the clip portion) may be adhered to one another using polyurethane hot melt glue or cyanoacrylate.

[00192] In alternate embodiments (not shown in Figures) the cushioning portion may be directly glued onto the frame.

4.3 Insert Molding

[00193] In a manufacturing process according to an embodiment of the present invention, insert molding may be used to assemble the cushioning component to the cushion-to-frame component. An advantage of this approach include lower cost when compared to other processes such as gluing.

[00194] Figs. 17a to 17h illustrate a tool and manufacturing process for manufacturing an interfacing structure according to an embodiment of the present invention.

[00195] As best shown in Fig. 17a, the tool includes a first portion 1060 adapted to receive the cushioning component that may be cut from foam slabstock and a second portion 1065 adapted to receive the foaming mixture that will form the cushion-to-frame component.

[00196] The first portion 1060 of the tool may allow a vacuum to be applied to the cushioning component to retain it in position. For example, as shown in Fig. 17a, the walls of the cavity that receive the cushioning component include a plurality of orifices 1062, and a vacuum is applied to an opening 1063 in the side wall of the first portion 1060 so that the cushioning component may be drawn into the cavity. The first portion 1060 may be sized to provide an interference fit with the cushioning component.

[00197] The first and second portions 1060, 1065 of the tool are arranged so that there will be a region of contact between the cushioning component and the cushion-to-frame component such that they will adhere to one another.

[00198] At least a second portion of the tool is constructed and/or arranged to facilitate demolding of the cushion-to-frame component that would otherwise adhere to the tool. Preferably, this is achieved by using a tool constructed of a material from which the foam may be removed (e.g., high density polypropylene, silicone). Alternatively, steel or aluminum tools may be used, provided an appropriate de-molding agent can be used, such as wax (e.g., agent that does not present biocompatibility issues).

[00199] In the illustrated embodiment as best shown in Fig. 17a, the second portion 1065 includes three parts that are removably attached to one another, i.e., an inner portion 1066(1), and outer portion 1066(2), and a ring portion 1066(3).

[00200] An insert molding manufacturing process according to an embodiment of the invention will now be described in greater detail.

[00201] Fig. 17a illustrates the first and second portions 1060, 1065 of the tool separated from one another. In Figs. 17b and 17c, the cushioning component 1032 is placed in the first portion 1060 of the tool. The cushioning component 1032 may be held in place in the first portion 1060 by a vacuum and may impart curvature on the cushioning component via the vacuum. This may be necessary if the cushion is made from a process that gives is a flat backed geometry. Placement of the cushioning component 1032 may be manual or

automated. For example, the cushioning component 1032 may be sucked into the first portion 1060 using the vacuum.

[00202] In Fig. 17d, a mixture of polyurethane (e.g. foam or elastomer) is prepared to form the cushion-to-frame component 1034 and the high-intensity mix is poured into the second portion 1065 of the tool. Pouring of the mix for the cushion-to-frame component 1034 may be manual or automated. If the cushion-to-frame component 1034 is made from a foam the cavity of the second portion 1065 will only be partly filled (e.g., 25%) and during the foaming process it will expand to fill the space and come into contact with the cushioning component where it will adhere.

[00203] In Fig. 17e, the first and second portions 1060, 1065 of the tool are clamped together or closed to allow the cushion-to-frame component foaming reaction to proceed in the tool. That is, the foam for the cushion-to-frame component 1034 can rise up and chemically bond or adhere to the foam cushioning component 1032. The choice of clip material may enhance the bonding or adhesion process. In a preferred embodiment both the clip and the cushion are made from polyurethane material for ideal bond integrity between the two components. Additionally, should the cushion component have a regular, uniform, rough, irregular or non-uniform cell structure, the clip component may infuse into gaps in the cell structure of the cushion component, forming small mechanical bonds between the components.

[00204] When the cushion-to-frame component 1034 has cured, the vacuum first portion and second portion are separated as shown in Fig. 17f. In Fig. 17g, the ring portion 1066(3) at the bottom of the second portion 1065 is removed and the inner portion 1066(1) is ejected to demold the cushion-to-frame component 1034. Fig. 17h shows the resulting interfacing structure 1030 removed from the tool with the cushioning component 1032 adhered to the cushion-to-frame component 1034. In a preferred embodiment the cushion component is originally flat when vacuum inserted into the top half of the tool and is bonded to a curved clip during the insert molding process. The resultant interfacing structure then assumes an intended curved shape.

[00205] In an alternative embodiment the cushion and clip are made flat but the cushion is made with sufficient depth to not require curvature to suitably adapt to the face when worn; but rather suitably deforms to the shape of the face due to the softness and depth of the cushion foam.

[00206] In another alternative arrangement, a film may be added to the second portion of the tool prior to the addition of the foaming mixture. This film may be structured to facilitate removal of the otherwise adhering cushion-to-frame component. The film may be used to form packaging for the interfacing structure.

[00207] In an embodiment, the clip portion of the interfacing structure may be constructed from more rigid and denser foam than the cushion component. For example, the clip portion may be formed from nitrogen blown polyethylene, or some other biocompatible foam having a fine cell-structure. Alternatively, the clip portion could be made from some other polymer or rubber. In an embodiment, the clip portion is adapted to form a cushion-to-frame engagement mechanism and to form a structural support for the cushion component.

[00208] Preferably, the cushioning component is less rigid, less stiff or more flexible than the clip portion, which is in turn less rigid, less stiff or more flexible than the frame of the mask. Preferably, the frame gives shape to the mask interfacing structure, wherein the interfacing structure is relatively flexible and less rigid, overall than the frame. This feature adds comfort and also allows the interfacing structure to be easily replaced by the patient or user. Further improvements to the interfacing structure may be made to adapt the shape and configuration to be disposable.

[00209] For example, Fig. 13 shows a clip portion 734 including a side 735 for interfacing with a foam-based cushion component and a side 737 for interfacing with a mask frame. In this embodiment, the clip portion 734 is constructed of a skinned foam and may be formed by molding. The foam of the clip portion 734 may be harder or more dense than the foam of the cushion component. Alternatively, the more dense or harder foam may be formed by cutting, e.g., die cutting, machining, and/or the methods set forth in AU 2008904769 and AU 2008904778.

[00210] This arrangement provides a one piece interfacing structure with a cushion component adapted to engage the patient's face and a clip portion adapted to interface with the mask frame.

[00211] In one form, a mask system may be provided that includes at least two different forms of interfacing structure chosen from the set of foam-based cushion, silicone-based cushion, and gel-based cushion.

[00212] Figs. 14a to 16i illustrate an interfacing structure 930 including a cushion component 932 and a cushion-to-frame component or clip portion 934 provided to the

cushioning component 932. Figs. 14a to 14f show the cushioning component 932 attached to the cushion-to-frame component 934, Figs. 15a to 15e are isolated views of the cushion-to-frame component 934, and Figs. 16a to 16i are isolated views of the cushioning component 932.

[00213] As shown in Figs. 14a to 15e, the cushion-to-frame component 934 includes a side 935 for interfacing with the cushioning component 932 and a side 937 for interfacing with a mask frame. The side 937 includes protrusions 938 to facilitate and/or enhance attachment to the mask frame.

5. ASSEMBLING THE FRAME AND INTERFACING STRUCTURE

[00214] The interfacing structure is constructed as described above and arranged for removable interconnection with the rest of the apparatus, for example a respiratory mask.

[00215] The ability to removably connect the interfacing structure enables one to replace the interfacing structure should it become soiled, damaged, uncomfortable or otherwise aged as a result of usage. It also facilitates trial or testing of different arrays of interfacing structures which are selected on different patients facial types or features (e.g., narrower face, longer nose, or longer chin, etc.) . One form of interfacing structure, for example a foam-based interfacing structure, may be used as a form of “training” system to allow a person to become accustomed to the sensation of wearing and using a mask. A foam-cushion based mask may provide an initially more appealing and comfortable surface for a new patient than a gel or silicone-based cushion. The patient may subsequently switch from the foam-based cushion to a silicone or gel based cushion. In this way, the patient may be more likely to adhere to therapy because they are used to the very soft comfortable feeling of foam.

[00216] When applied to respiratory equipment, the interfacing structure is adapted for connection with a mask frame. In use, a seal is formed between the interfacing structure and the frame. This arrangement could be used for both nasal and full-face masks. The seal between the frame and interfacing structure may seal better wherein the clip portion is less rigid or more flexible than the frame.

[00217] For example, Fig. 1 illustrates a mask 10 including a mask frame 20 a foam-based interfacing structure 30 provided to the mask frame 20. As illustrated, the foam-based interfacing structure 30 provides a foam cushion component 32 adapted to contact the

patient's face in use. In this embodiment, the foam-based interfacing structure 30 is adapted for use with an existing mask (e.g., ResMed's Mirage Quattro mask), which allows the patient to switch from the foam-based interfacing structure 30 to the mask's existing silicone-based cushion if desired.

[00218] Figs. 4a to 4g show a foam-based interfacing structure 230 according to an embodiment of the invention. As illustrated, the interfacing structure 230 includes a cushion component or face-contacting portion 232 and a clip portion 234 provided to the cushion component 232. In this embodiment, the clip portion 234 is adapted for an interference fit with a mask frame, and the width of the clip portion 234 is narrower than the width of the cushion component 232 (e.g., see Figs. 4e and 4g).

5.1 Cushion-to-Frame Engagement Mechanisms

[00219] According to an aspect of the invention, the cushion-to-frame engagement and connection mechanism provided by the clip portion may include a channel-type engagement or rib-type engagement.

[00220] As shown in Fig. 2, the channel-type engagement includes a foam clip portion 34 that is adapted to be received within the channel 22 of a mask frame 20 with an interference fit. The foam clip portion 34 extends around the entire perimeter of the interfacing structure so as to form a seal and retention with the mask frame.

[00221] As shown in Figs. 3a to 3c, the rib-type engagement includes a foam clip portion 34 with one or more slots 38 to receive inner and/or outer ribs 23, 24 of the mask frame 20. For example, the slot to rib engagement may provide an inner frame rib engagement (see Fig. 3a), an outer frame rib engagement (see Fig. 3b), or an inner and outer frame rib engagement (see Fig. 3c). This arrangement provides a broader base of support for the sealing foam.

[00222] Figs. 5a and 5b illustrate a foam-based interfacing structure 830 including a foam cushion component 832 and a clip portion 834, and Fig. 5c illustrates the interfacing structure 830 provided to a mask frame 20. As shown in Figs. 5a and 5b, the clip portion 834 includes a slot 838 adapted to receive a rib of the mask frame 20. Also, providing a wider clip portion 834 allows more stiffness and structural integrity to be provided to the clip portion, making the clip portion easier to assemble to the mask frame.

[00223] When structured to form an interference fit with the mask frame, the clip portion may have the following properties: appropriate rigidity (e.g., less than that of the frame and in one form more rigid than the foam cushion component); non-porous; and/or low compression set (the amount of deformation expressed as a percentage of original dimensions) which a material retains after compressive stress is released (in this way, the clip portion maintains its retention force during its usage life).

[00224] Additionally, the clip portion may include an additional extension (not shown) that extends beyond the outer extremity of the frame which is adapted to be gripped by the patient for easier removal of the interfacing structure. Preferably, this extension would be positioned in a region that is easy for the patient to grip such as the nasal bridge of the mask. Preferably, the extension will be small enough not to impede vision of the user or to affect the overall efficiency or seal of the mask. Preferable, the extension may function as a finger grip for the patient to remove or replace the interfacing structure, when desired.

[00225] Figs. 50-1 to 57-2 illustrate alternative mechanisms for attaching the clip portion to the frame. In Figs. 50-1 and 50-1, the clip portion 5034 is in the form of a microcellular polyurethane clip adapted to engage within the frame channel 5022 with an interference fit. In Figs. 51-1 and 51-2, the clip portion 5034 is in the form of a flexible plastic clip (e.g., Hytrel, TPE) adapted to engage the frame channel 5022 with a snap fit. The clip portion also includes a lip seal 5035 adapted to engage the channel wall. In Figs. 52-2 and 52-2, the clip portion 5034 is in the form of a flexible plastic clip adapted to engage the frame channel 5022 with a snap fit. The clip portion also includes a sealing element 5035 (thermoplastic elastomer that may be over molded on to the clip portion) adapted to engage the channel wall. In Figs. 53-1 and 53-2, the clip portion 5034 is in the form of a polyurethane clip adapted to engage within the frame channel 5022 with an interference fit. The clip portion also includes a flexible plastic clip 5036 (assembled to the polyurethane clip) adapted to engage the frame channel with a snap fit. In Figs. 54-1 and 54-2, the clip portion 5034 is in the form of a polyurethane clip adapted to engage within the frame channel 5022 with an interference fit. The clip portion also includes a flexible plastic clip 5036 (glued to the polyurethane clip) adapted to engage the frame channel with a snap fit. In Figs. 55-1 and 55-2, the clip portion 5034 includes a flexible plastic clip adapted to engage the frame channel 5022 with a snap fit or other fitting means e.g. interference fit. In addition, the clip is contoured such that the clip also engages the channel wall with an interference fit. In Figs.

56-1 and 56-2, the clip portion 5034 includes a flexible plastic clip adapted to engage the frame channel with a snap fit. The clip portion also includes a foam element 5037 adapted to cover the clip. In Figs. 57-1 and 57-2, the clip portion 5034 includes a polyurethane clip (attached to cushion component by plastic element 5038) adapted to engage the frame channel 5022 with a snap fit. The frame channel includes a plastic extension 5023 adapted to engage the clip. This arrangement allows replacement of the cushion component without the need to change the clip portion.

6. Exemplary Materials and Properties

[00226] The following provides exemplary materials and properties of the cushion component and clip portion.

6.1 Cushion Component

[00227] In an embodiment, the cushion component may be made from polyurethane, be resistance to hydrolysis and/or resistant to microbial attack.

[00228] In an embodiment, the cushion component may be air permeable. In an embodiment, the cushion component may not be air permeable.

[00229] In an embodiment, the cushion component may be able to maintain its air permeability over a period of use.

[00230] Preferably, the cushion component may not emit harmful or odorous volatiles or particulates.

[00231] Preferably, the cushion component may be coloured and this colour may not fade.

[00232] Fig. 48 is a chart showing exemplary material properties for the cushion component.

[00233] In one example, properties of the foam cushion component may include: density (relates to other foam properties and affects cost and weight of the cushion, e.g., higher density can reduce air permeability and higher density can increase hardness); air permeability (flow of air through cushion contributes to total mask flow characteristic of the mask which may affect compatibility with PAP devices); hardness (affects comfort and sealing performance); tear resistance (contributes to durability); tensile strength (contributes

to durability); and/or tensile stiffness (resists the deforming effects of positive air pressure inside the mask).

6.2 Clip Portion

[00234] Fig. 49 is a chart showing exemplary material properties for the clip portion.

[00235] In one example, properties of tire foam clip portion may include: density (affects weight); air permeability (permeability of the foam itself may not be critical if it is molded with a skin that renders it impermeable); hardness (soft and flexible enough to assemble to the frame with an interference fit and seal against the frame); elasticity/viscoelasticity (soft and flexible enough to assemble to the frame with an interference fit and seal against the frame); and/or compression set (should not deform over time to ensure easy assembly/retention).

6.3 Testing Methods

[00236] The following provides exemplar) testing methods for determining material properties.

6.3.1 Air Permeability

[00237] Air permeability is defined as “the rate of air flowing through a foam sample (in L/mm)”

[00238] This test measures the flow through a regular shape with a constant cross section, in a manner analogous to a cushion in real use. In the example of Fig. 60-1, the test specimen is an annulus of foam, about 30 mm thick. The circular shape ensures that pressure is evenly distributed and the foam inflates uniformly.

[00239] The foam sample is cut normal to cell rise direction 6000 as shown in Fig. 60-4. Airflow is shown as arrow 6001.

[00240] The wall section of the foam specimen may be rectangular (see Fig. 60-2), but it is possible for the wall section to have a concave outer surface and a convex inner surface (see Fig. 60-3).

[00241] The annular foam sample is held at a defined height between two plates in a Universal Test Machine (e.g., Instron). Air at a given pressure is directed into the centre of the annulus and flows out through the foam. The air flow rate and reaction force of the foam against the plates may be measured. Fig. 60-5 is a schematic of the test set up, including flow

generator 6002, flowmeter 6003, manometer 6004 and air permeability jig 6005 with foam sample in universal test machine.

[00242] As shown in Figs. 60-6, 60-7, and 60-8, the test jig used to hold the foam consists of: an aluminum base plate 6010 that locates the foam sample 6009 with location boss 6006 and seals against the flat bottom surface of foam annulus with sealing surface 6007; an air inlet 6008 and pressure port in the centre of the base plate 6010; a clear polycarbonate top plate 6011 that seals against the flat bottom surface of foam annulus 6009 and allows observation of the test sample; and a part glued to the top plate to connect with a load cell 6013 and object attachment 6012 on the Universal Testing Machine (UTM).

[00243] Once set up, attach the top plate to the crosshead of the UTM, zero the load cell of the UTM.

[00244] Zero the displacement of the UTM at the uncompressed height of the foam sample, i.e., 30 mm above the base plate sealing surface.

[00245] If there is variation of 1 mm or more in the thickness of the samples, then for each sample: (i) assemble the foam sample into the test jig; (ii) lower the crosshead just until a positive force is read on the UTM, e.g., 0.2 N; and (iii) zero the displacement.

[00246] Lower the crosshead at 50 ± 20 mm/min until 40% compression displacement is reached.

[00247] Immediately record the reaction force, at 0 cmH₂O.

[00248] Wait 60 seconds and again record the force.

[00249] Immediately but gradually adjust the flow generator to 4 cmH₂O (and immediately record force and flow rate.

[00250] Wait 60 seconds and again record the force and flow rate.

[00251] Repeat steps 7 and 8 for 12 cmH₂O and 20 cmH₂O.

6.3.2 Hardness

[00252] Hardness is defines as “force required to indent a test piece of foam to a stated percentage of its original thickness”.

[00253] Hardness may be tested using an IDM Universal Test Machine, or equivalent (e.g., see circular flat indenter of Fig. 61)

[00254] If applicable, precondition the foam as specified in AS 2282.2-1999.

- [00255] Test the foam according to AS 2282.8—1999 Method A — Indentation force on deflection test.
- [00256] Report IF_{40} , the reaction force at 40 % compression after 60 seconds indentation, H60s.
- [00257] Also report the reaction force at 40 % compression after 2 seconds indentation, H2s.
- [00258] Report the sag factor or support factor, i.e., the ratio of 65% to 25% IFD value.

6.3.3 Tensile Strength

- [00259] Tensile strength, may be measured using an IDM Universal Test Machine, or equivalent. See Fig. 62-1.
- [00260] Test both directions, i.e., parallel to and normal to the direction of cell rise.
- [00261] Apply the following deviations from AS 2282,6-1999:
- [00262] Do not reject test pieces that break outside the gauge length.
- [00263] Record whether the test piece did break, did not break or came out of the jaws before maximum elongation was reached.
- [00264] Three test pieces may be acceptable if the results are consistent (no individual value deviates more than 20% from the mean of the three values),
- [00265] Select a typical or representative results curve by inspecting the graphs. Select a suitably linear region near the start of the curve. (The start of the curve is more representative of real use than an extremely stretched region and also ensures the result is not affected by the test sample sliding out of the gripping jaws.)
- [00266] Calculate the change in force over a distance of at least 25 mm and divide by the distance to obtain the stiffness value in N/mm.
- [00267] For example, the curve in Fig. 62-2 is most linear near the start of the curve, between 25 mm and 50 mm. Stiffness was calculated as follows.

$$k_{tensile} = \Delta F / \Delta x = (F_{50mm} - F_{25mm}) / (50 - 25)$$

6.3.4 Tear Resistance

- [00268] Tear resistance is defined as the force required to propagate a tear in a pre-cut sample. See Fig. 63-1.
- [00269] Test according to AS 2282.7-1999 with the following parameters:

[00270] The speed of separation of the jaws holding the test piece shall be 200 mm/min.

[00271] Test all three directions defined in Figs. 63-2, 63-3, and 63-4. Test and report the tear resistance results (σ_1) for each direction separately. Fig. 63-2 shows pull direction parallel to the z axis resulting a cut parallel to the x-y plane and propagating a tear parallel to the x axis in a negative direction. Figures 63-3 and 63-4 show pull directions parallel to the y axis resulting in cuts parallel to the x-z and y-z axes respectively with tear propagation in the -x and -z directions respectively.

[00272] Apply the following deviations from AS 2282.7- 1999;

[00273] Do not use a knife or blade to assist the direction of tear. Allow the foam to tear naturally.

[00274] It may not be possible to tear a 50 mm length of foam. Tear as far as possible up to 50 mm.

Total Mask Flow

[00275] This test measures the flow through, only the foam cushion, by blocking the mask vent all other leak paths. See Fig. 64.

[00276] The cushion is compressed by 40% of its 30 mm thickness, i.e., 12 mm.

7. OTHER FEATURES

[00277] In an embodiment, a mask frame may be integrally molded or formed with the cushion-to-frame component 1034. For example, the second portion 1065 of the tool may be structured to mold the cushion-to-frame component together with the mask frame.

[00278] In the illustrated embodiment, a polyurethane foam cushioning component is provided to a polyurethane foam or polyurethane elastomer cushion-to-frame component. In an alternative embodiment, one or both of the components may be constructed of a gel material. For example, both components may be constructed of gel, the cushioning component may be constructed of gel and the cushion-to-frame component may be constructed of foam, or the cushioning component may be constructed of foam and the cushion-to-frame component may be constructed of gel.

[00279] While the invention has been described in connection with what are presently considered to be the most practical and preferred embodiments, it is to be understood that the

invention is not to be limited to the disclosed embodiments, but on the contrary, is intended to cover various modifications and equivalent arrangements. For example the cutting techniques used for the cushioning component may also be used for the clip component, or the interfacing structure. Also, the various embodiments described above may be implemented in conjunction with other embodiments, e.g., aspects of one embodiment may be combined with aspects of another embodiment to realize yet other embodiments. Further, each independent feature or component of any given assembly may constitute an additional embodiment. In addition, while the invention has particular application to patients who suffer from OSA, it is to be appreciated that patients who suffer from other illnesses (e.g., congestive heart failure, diabetes, morbid obesity, stroke, bariatric surgery, etc.) can derive benefit from the above teachings. Moreover, the above teachings have applicability with patients and non-patients alike in non-medical applications.

CLAIMS

1. A mask to provide a supply of pressurized air to the entrance of the airways of a patient, comprising:
 - a frame; and
 - an interfacing structure, the interfacing structure comprises a connection portion joined to a cushioning component,
 - wherein the cushioning component is at least partially constructed from a foam material and arranged to conform to the profile of the patient's face in the vicinity of the patient's airways entrance,
 - wherein the foam of the cushioning component has a density in the range of 40-70 kg/m³, a tear resistance in the range of 100-500 N/m, an IFD hardness at 40% in the range of about 70 to 160N measured using the AS 2282.8 testing standard, and an air permeability in the range of 1 to 16 L/min at 40% compression at a pressure of 20 cmH₂O, and
 - wherein an upper surface of the connection portion is joined to a base surface of the cushioning component, and wherein at least a portion of the upper surface is angled towards a centre of the mask in at least one region of the cushioning component to assist in a rolling-in effect of the cushioning component when the mask is worn.
2. The mask of claim 1, wherein the foam of the cushioning component has a homogeneous or heterogeneous cell structure with a cell size in the range of 20-4000 μm.
3. The mask of claim 1, wherein the foam of the cushioning component has a tensile strength in the range of 10-30 N.
4. The mask of claim 1, wherein the foam of the cushioning component has an elongation at break in the range of 150-300 mm.
5. The mask of claim 1, wherein the foam of the cushioning component has a compression set in the range of 0-20%.

6. The mask of claim 1, wherein the foam of the cushioning component has hysteresis in the range of 25-35%.
7. The mask of claim 1, wherein the connection portion is at least partially constructed from a foam material.
8. The mask of claim 7, wherein the foam of the connection portion has an air permeability in the range of 0-5 L/m²/s.
9. The mask of claim 7, wherein the foam of the connection portion has a density in the range of 100-500 kg/m³.
10. The mask of claim 7, wherein the foam of the connection portion has a compression set in the range of 0-20%.
11. The mask of claim 7, wherein the foam of the connection portion has an IFD hardness at 40% in the range of about 10 to 100N.
12. The mask of claim 7, wherein the foam of the connection portion has a resilience of greater than 50%.
13. The mask of claim 7, wherein the foam of the connection portion has a homogeneous or heterogeneous cell structure.
14. The mask of claim 1, wherein the cushioning component in a nasal bridge region has a raised profile relative to an adjacent cheek region of the cushioning component.
15. The mask of claim 1, wherein at least a portion of a cross section of the cushioning component includes:
 - an inner side defined by a side of the cushioning component facing a centre of the mask;

an outer side defined by a side of the cushioning component facing away from the centre of the mask; and

a base side facing the frame or connection portion,

wherein a length of the outer side is greater than a length of the inner side.

16. The mask of claim 15, wherein the outer side further comprises at least an upper portion and a lower portion, wherein the upper portion extends at a reduced angle in comparison to the lower portion.

17. The mask of claim 15, wherein the connection portion is disposed proximal to the outer side of the cushioning component.

18. The mask of claim 17, wherein a positioning of the connection portion relative to the cushioning component promotes a moment of force when a force is applied to the cushioning component.

19. The mask of claim 1, wherein a portion of the cushioning component has an outer surface which has positive curvature in two directions thus forming at least a partial dome.

20. The mask of claim 1, wherein a cross-sectional profile of the connection portion varies along a periphery of the interfacing structure.

21. The mask of claim 1, wherein the at least a portion of the upper surface is angled in a cheek region and/or a lip region of the cushioning component.

22. The mask of claim 21, wherein the angle of the upper surface of the connection portion varies along a periphery of the interfacing structure.

23. The mask of claim 1, wherein the foam of the cushioning component has a tensile stiffness in the range of 0.05-1.25 N/mm.

1/72

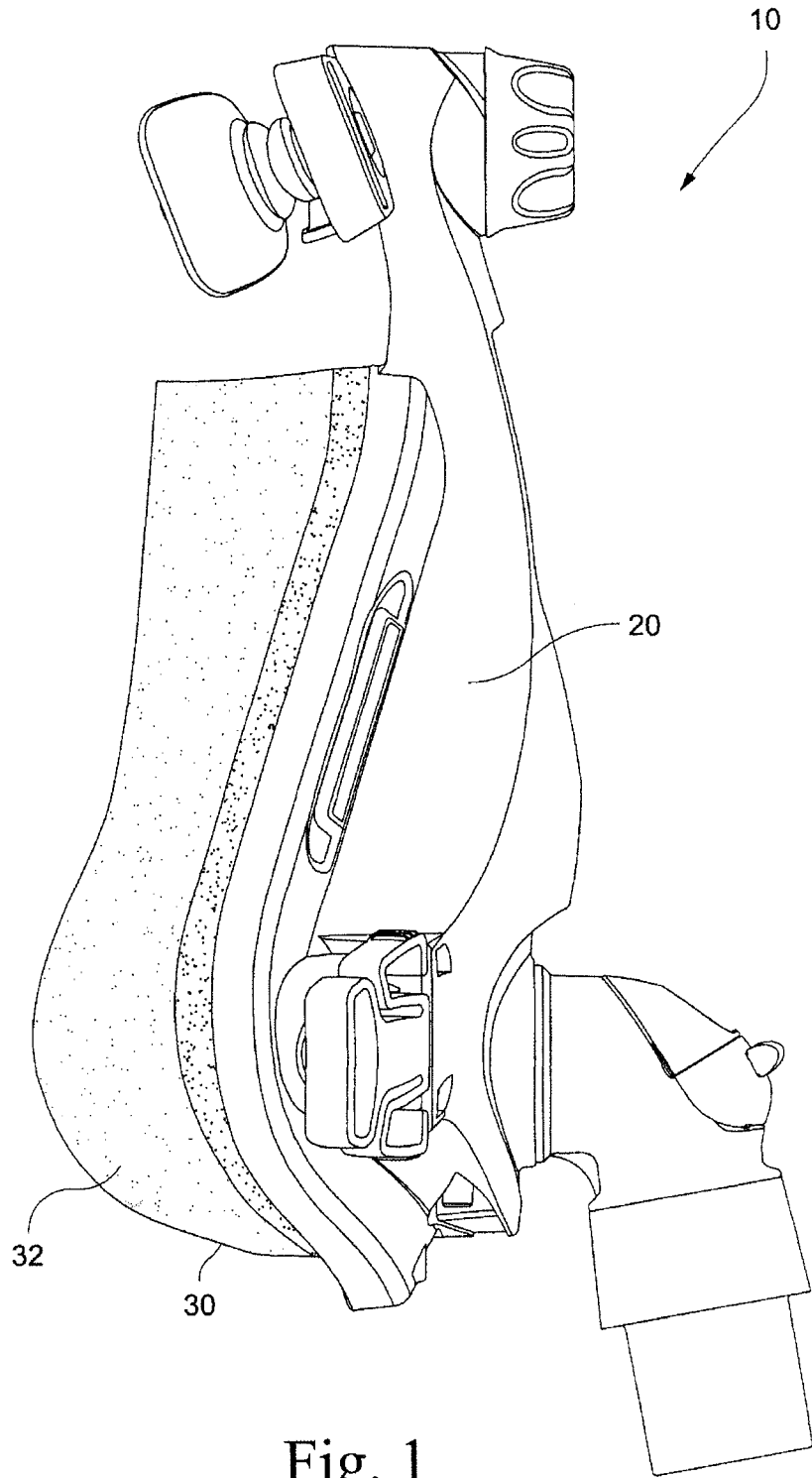


Fig. 1

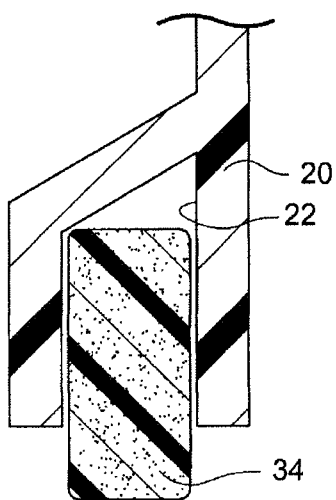


Fig. 2

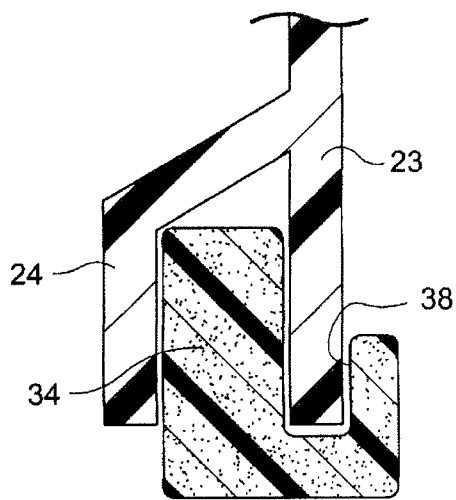


Fig. 3a

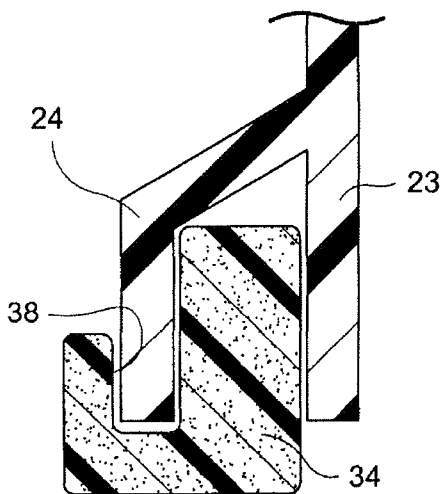


Fig. 3b

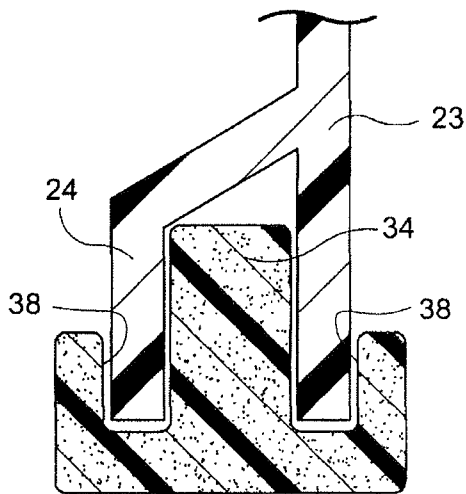


Fig. 3c

3/72

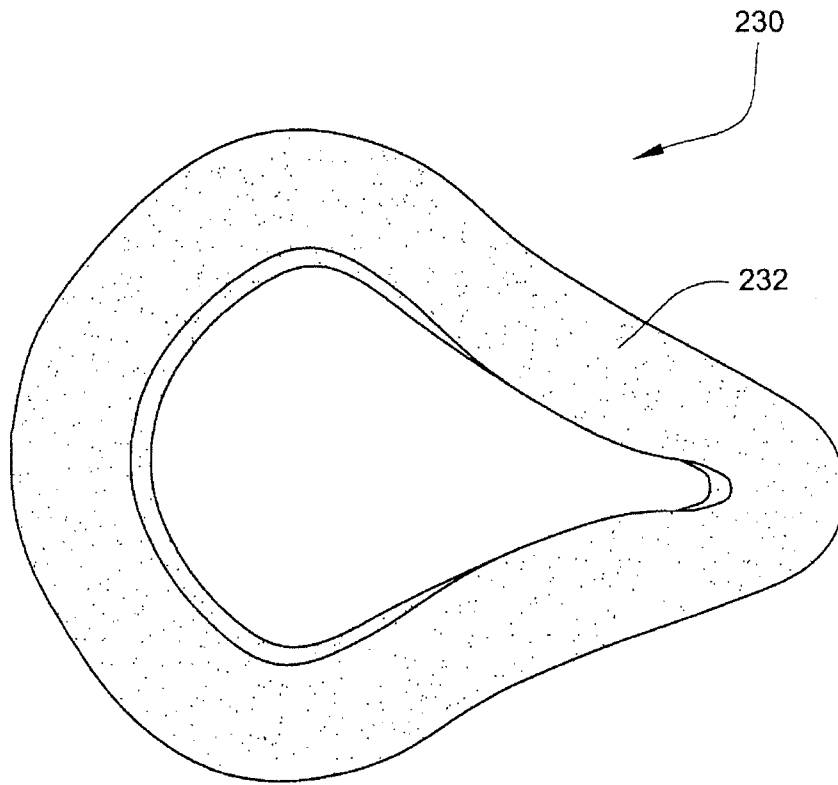


Fig. 4a

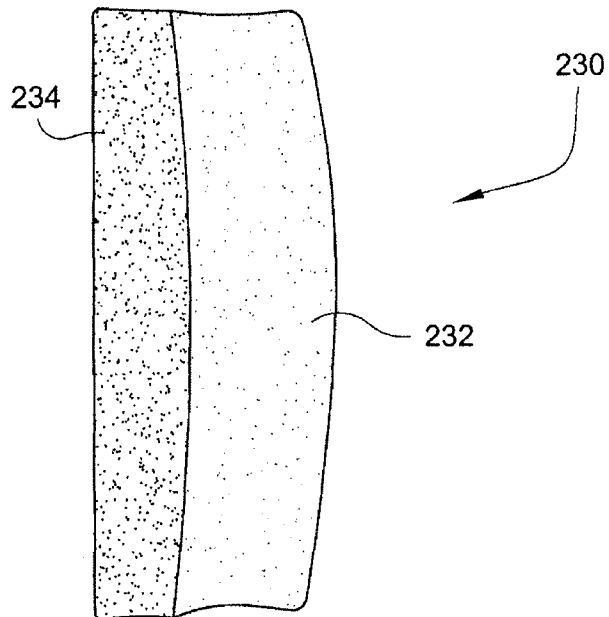


Fig. 4b

4/72

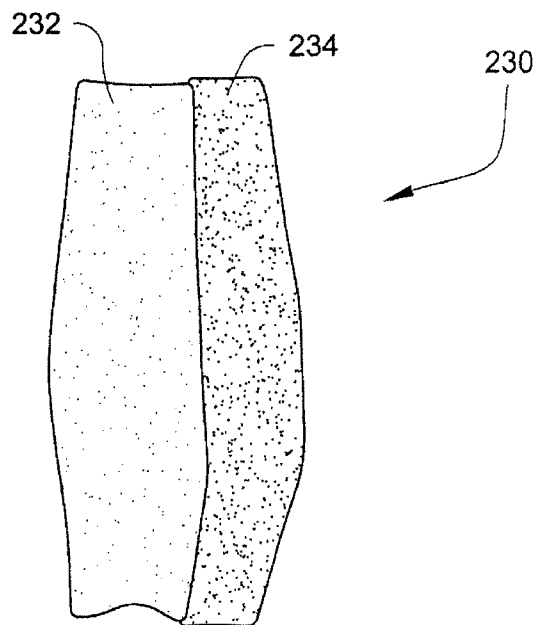


Fig. 4c

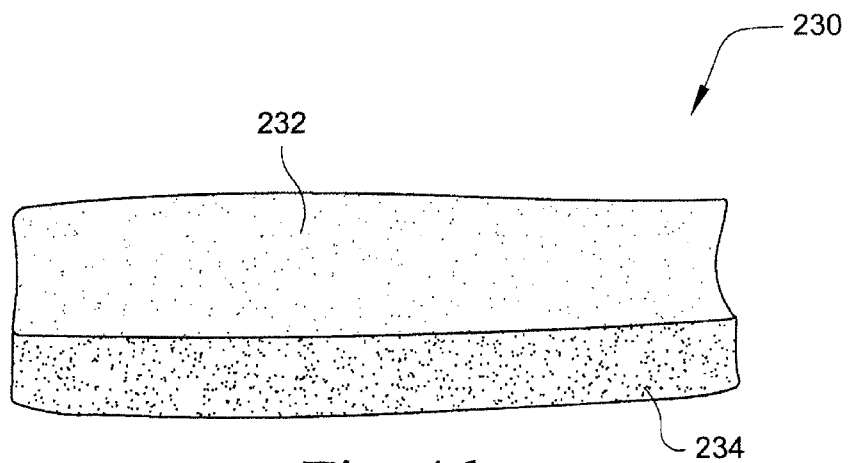


Fig. 4d

5/72

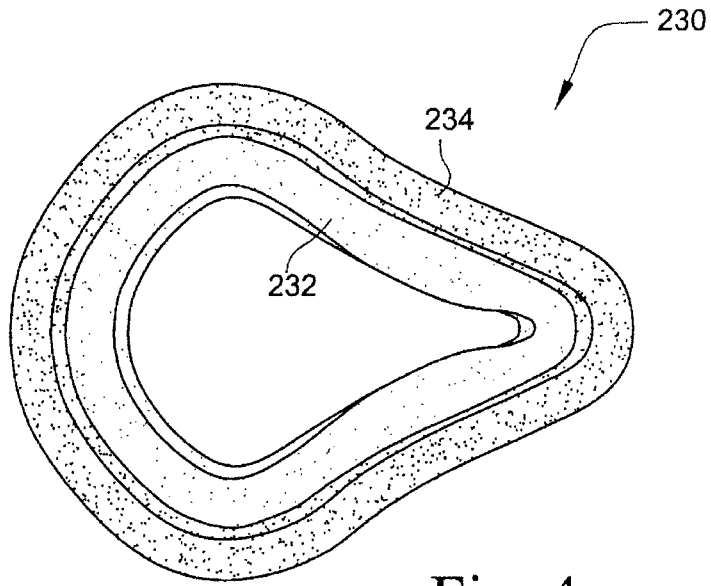


Fig. 4e

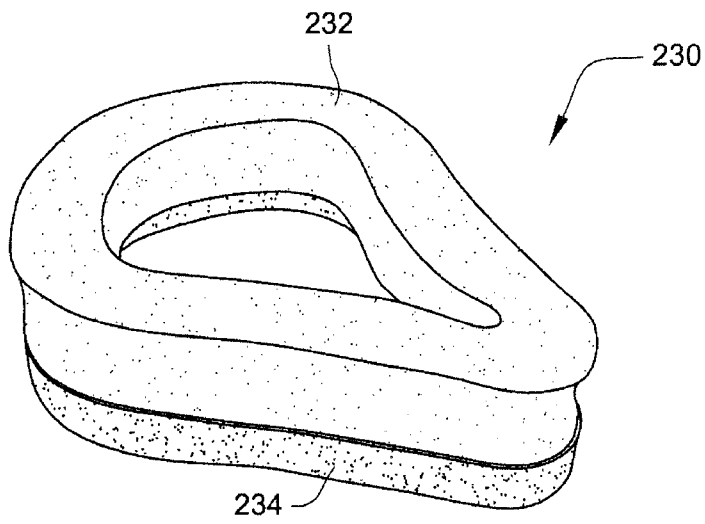


Fig. 4f

6/72

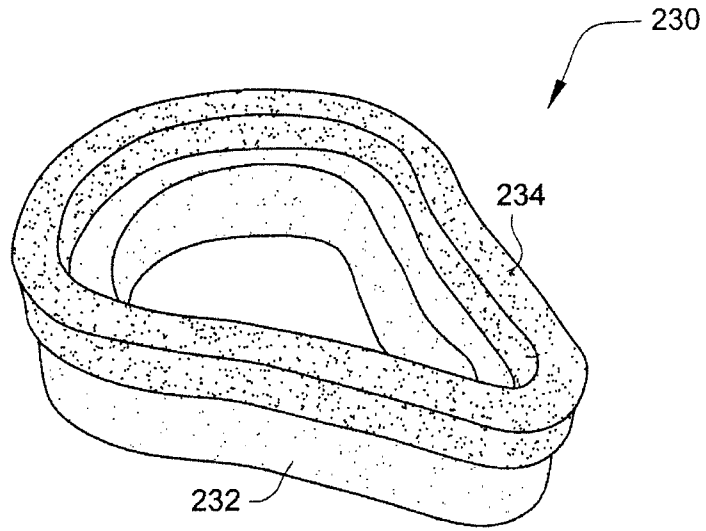


Fig. 4g

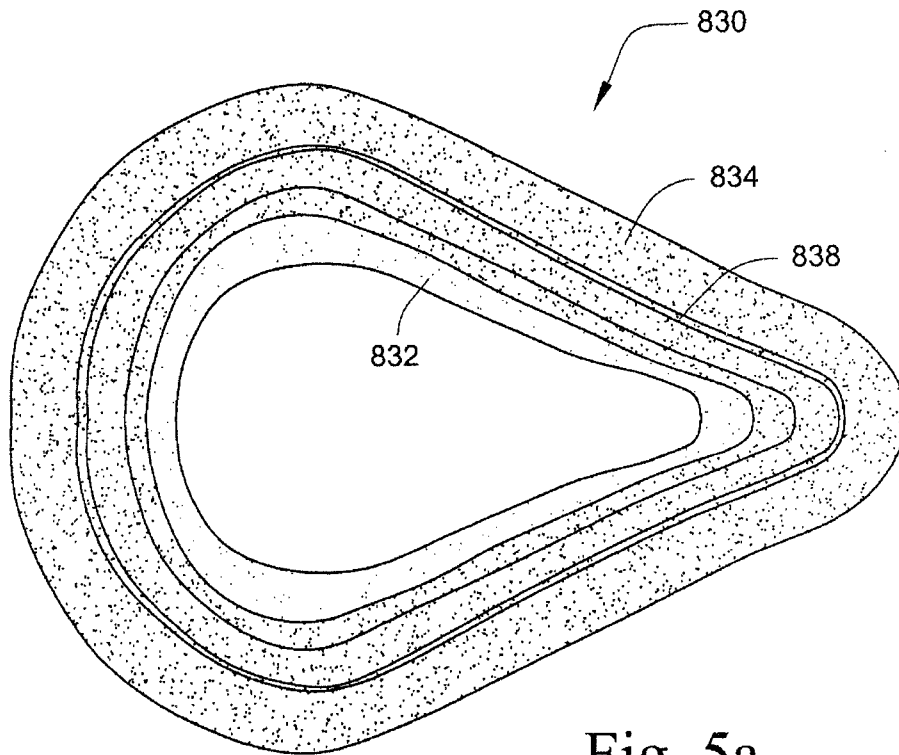


Fig. 5a

7/72

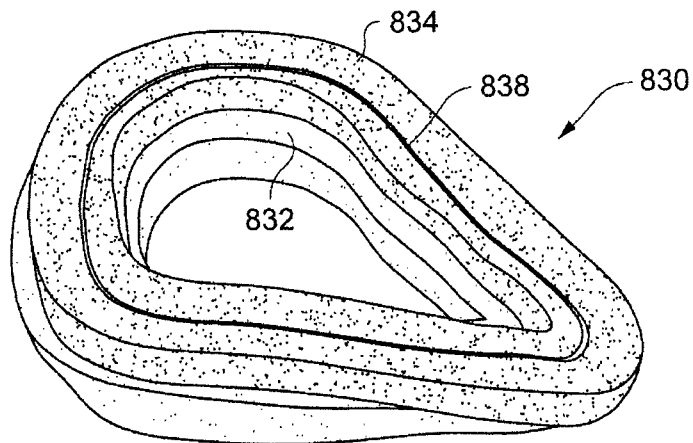


Fig. 5b

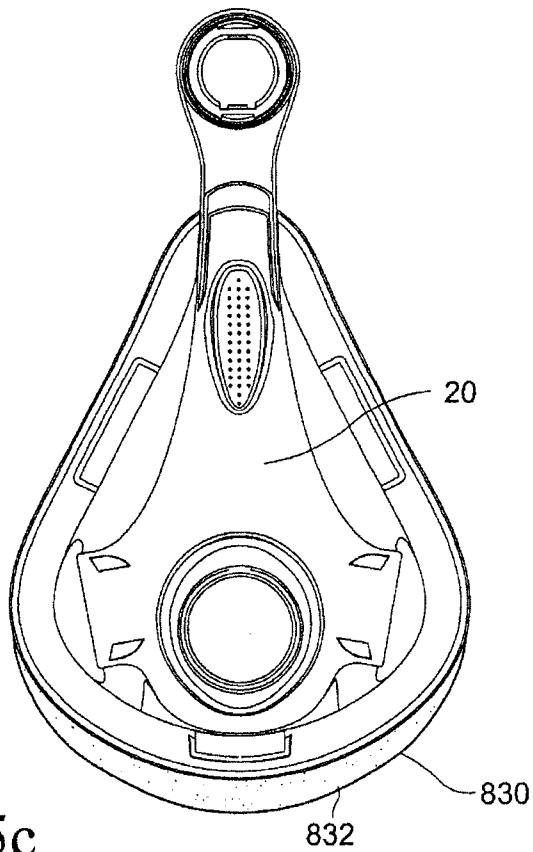


Fig. 5c

8/72

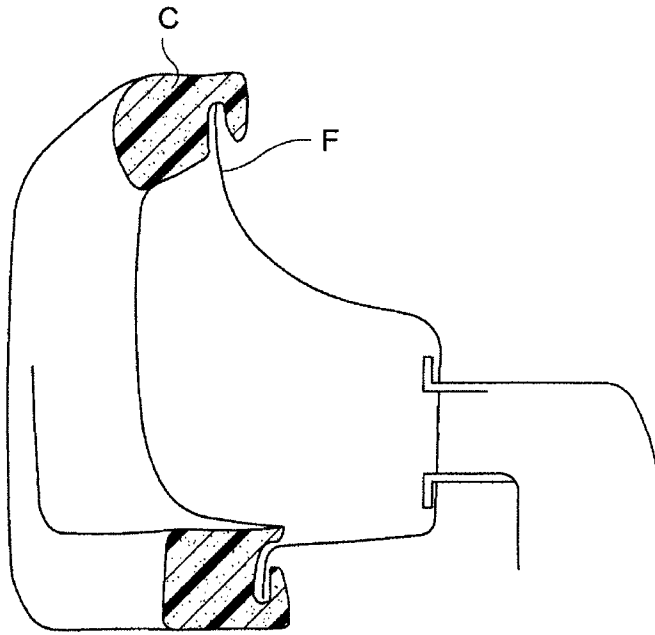


Fig. 6a
(PRIOR ART)

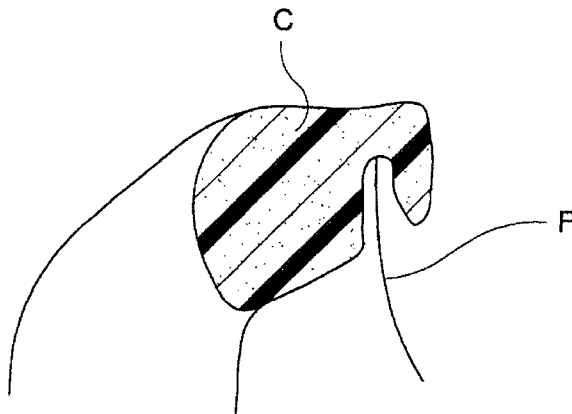


Fig. 6b
(PRIOR ART)

9/72

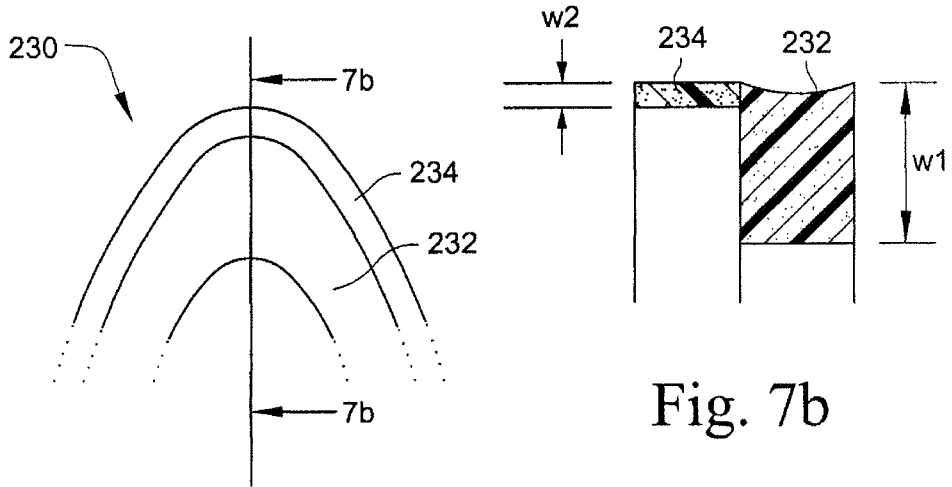


Fig. 7a

Fig. 7b

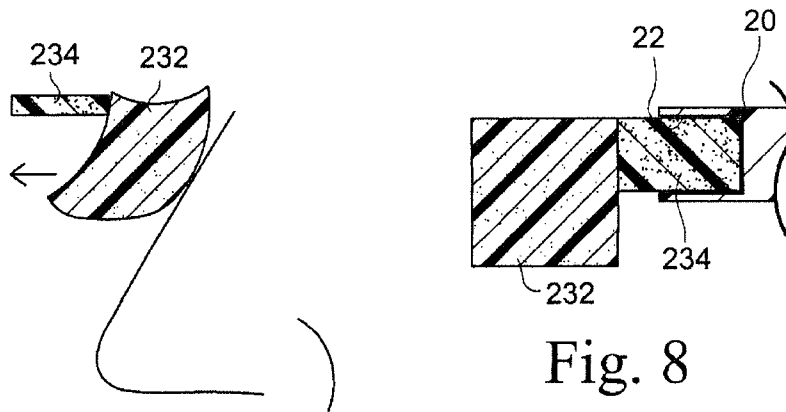


Fig. 7c

Fig. 8

10/72

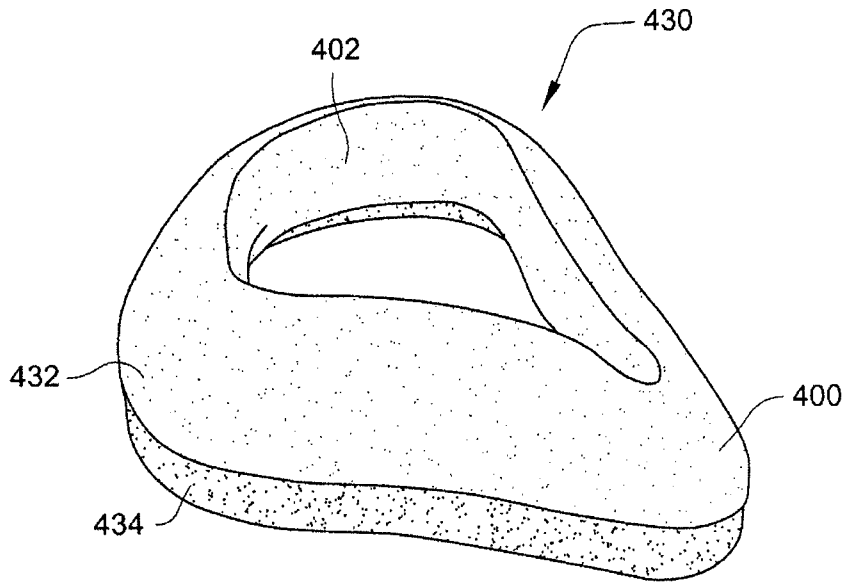


Fig. 9a

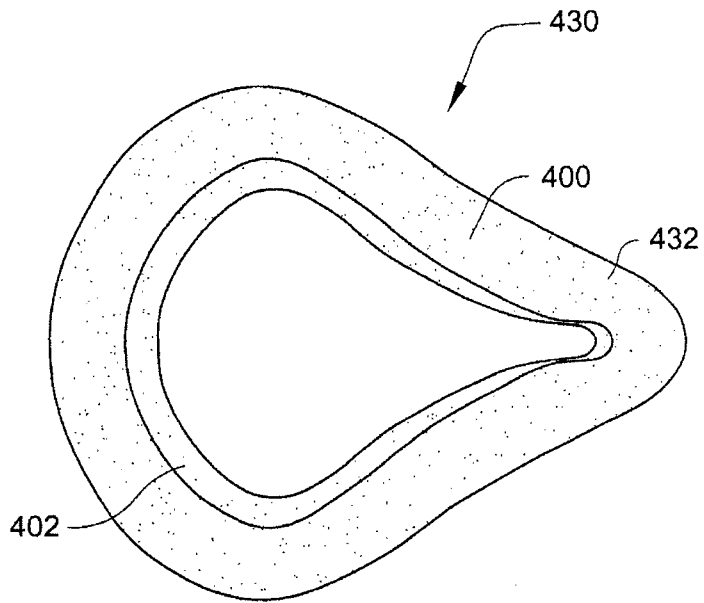


Fig. 9b

11/72

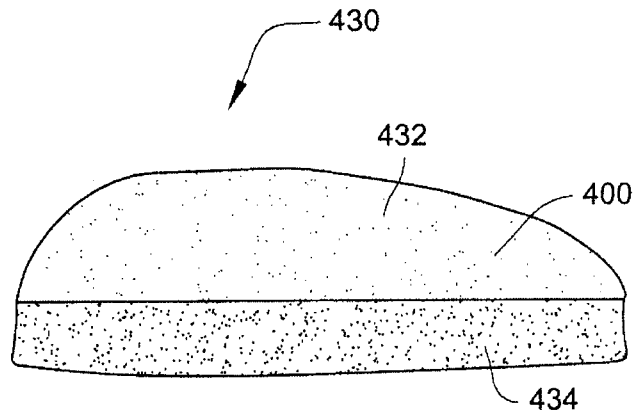


Fig. 9c

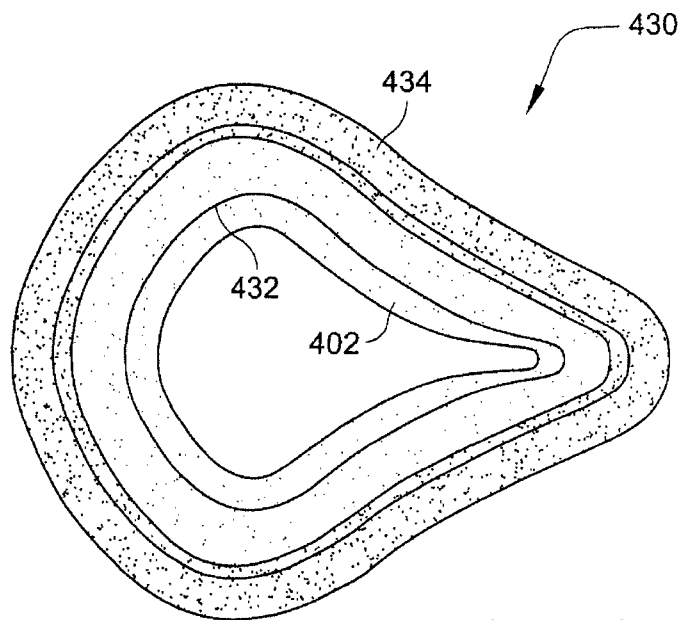
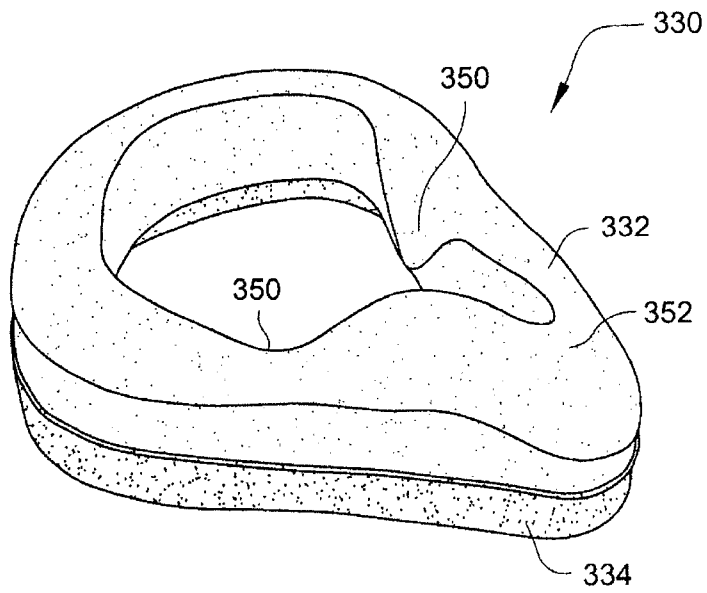
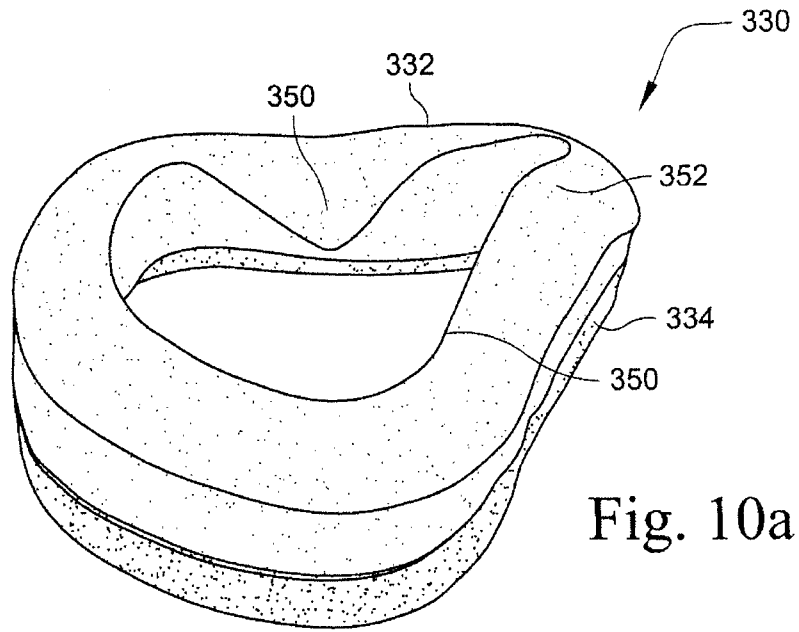


Fig. 9d

12/72



13/72

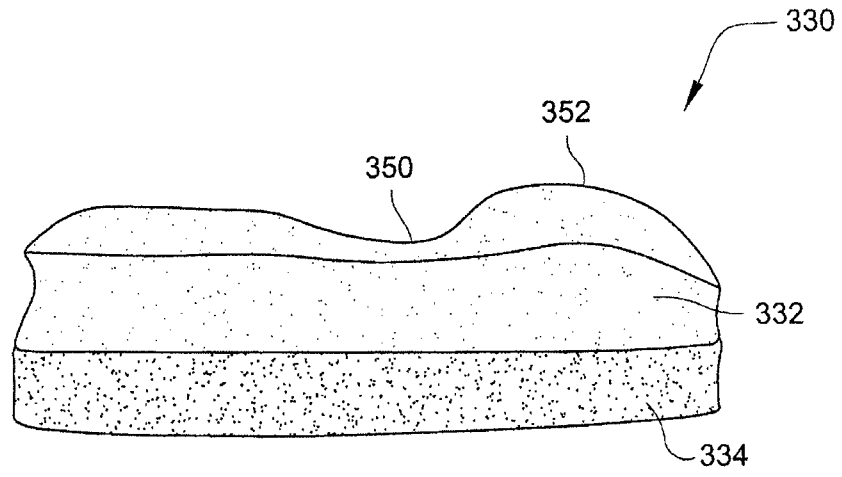


Fig. 10c

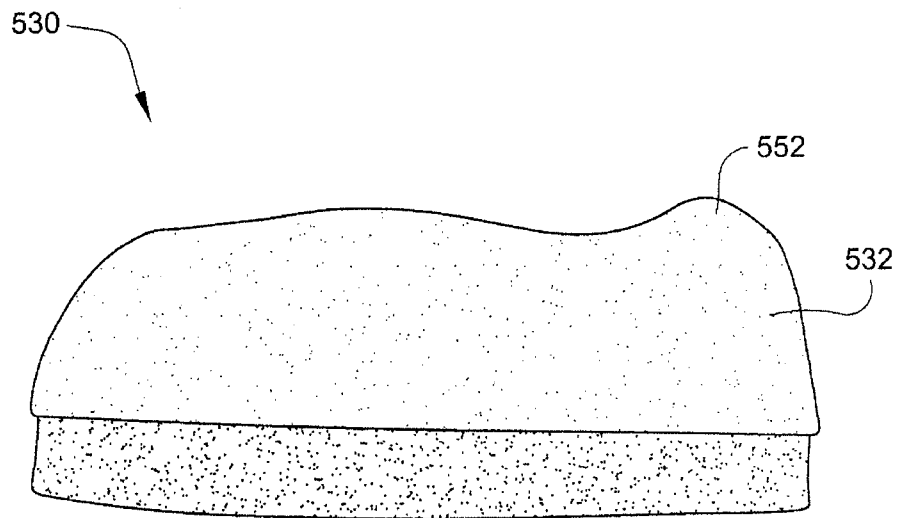


Fig. 11a

14/72

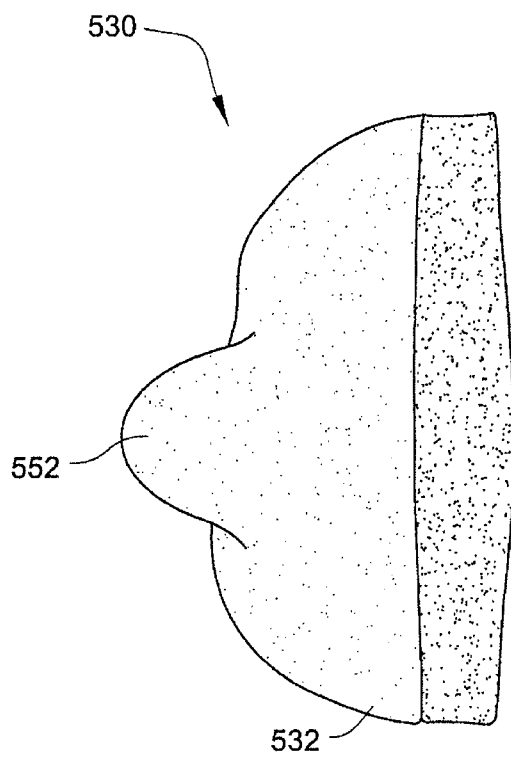


Fig. 11b

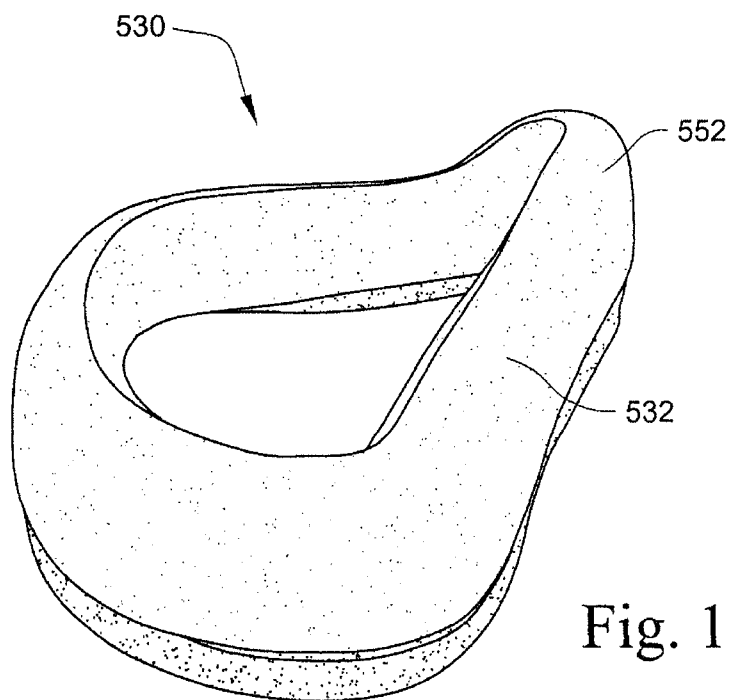


Fig. 11c

15/72

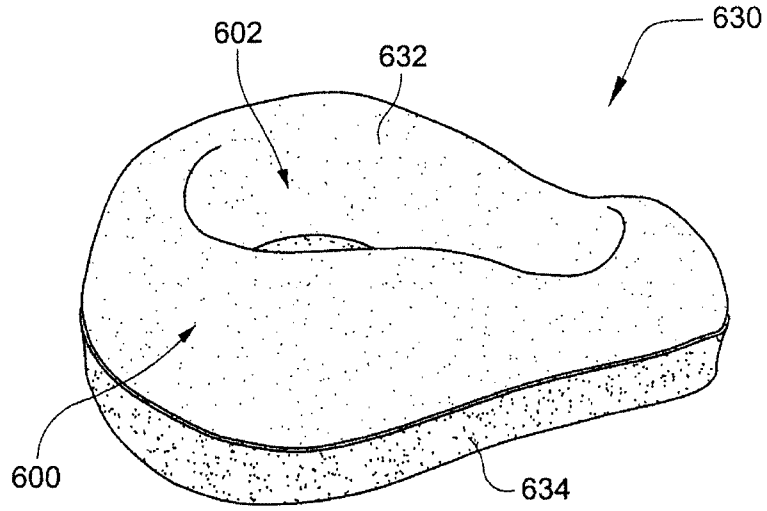


Fig. 12a

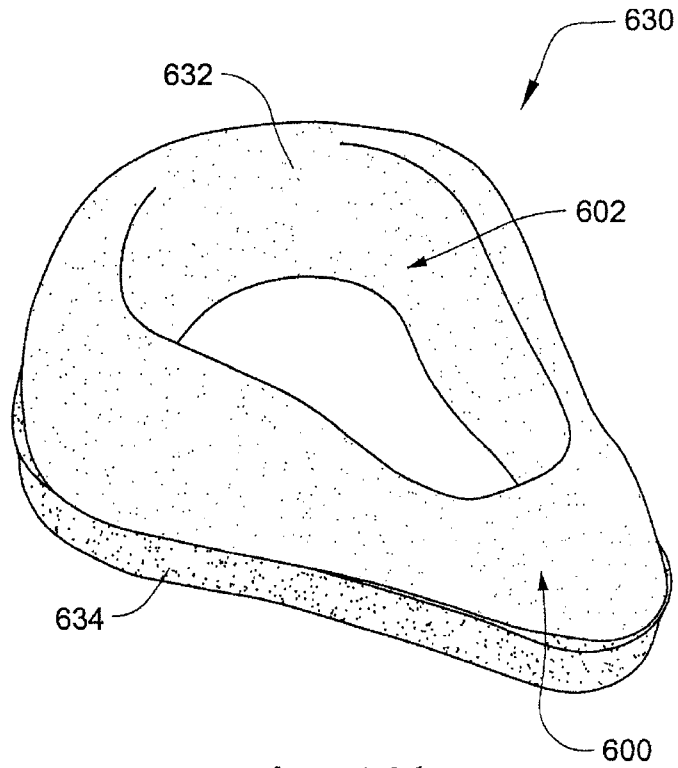


Fig. 12b

16/72

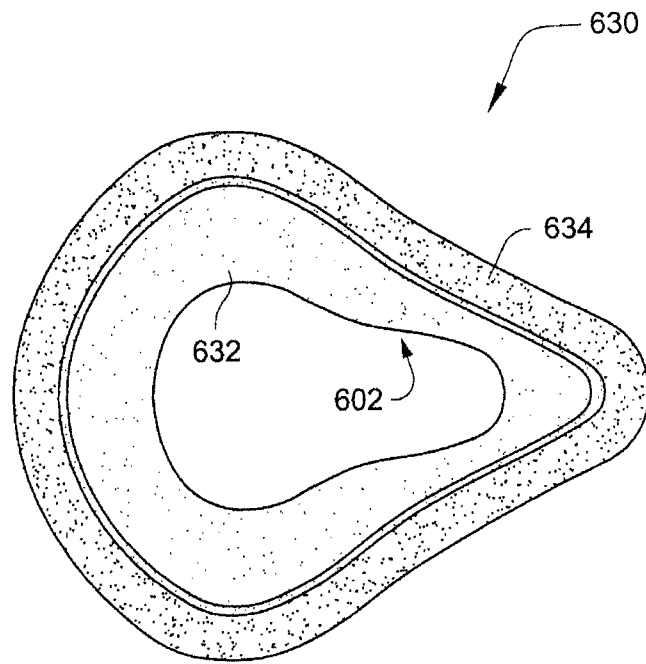


Fig. 12c

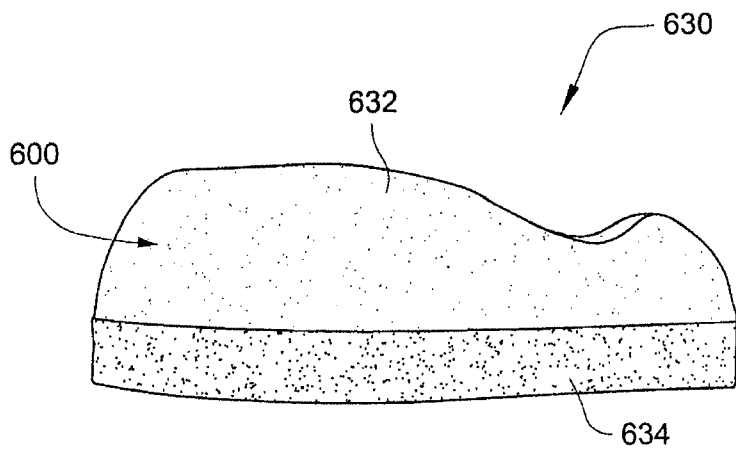


Fig. 12d

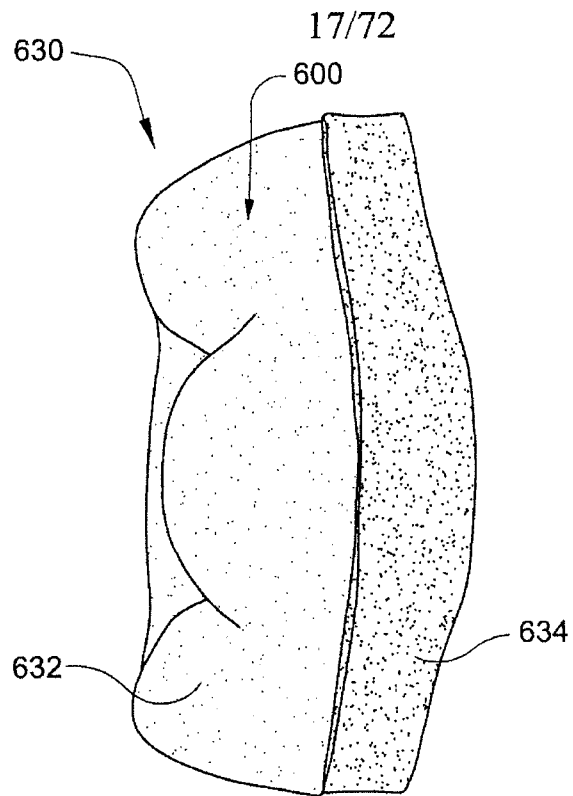


Fig. 12e

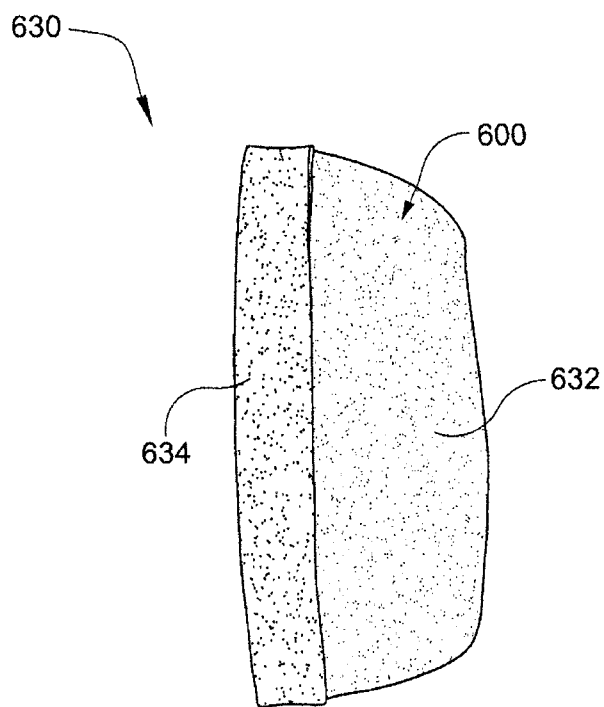


Fig. 12f

18/72

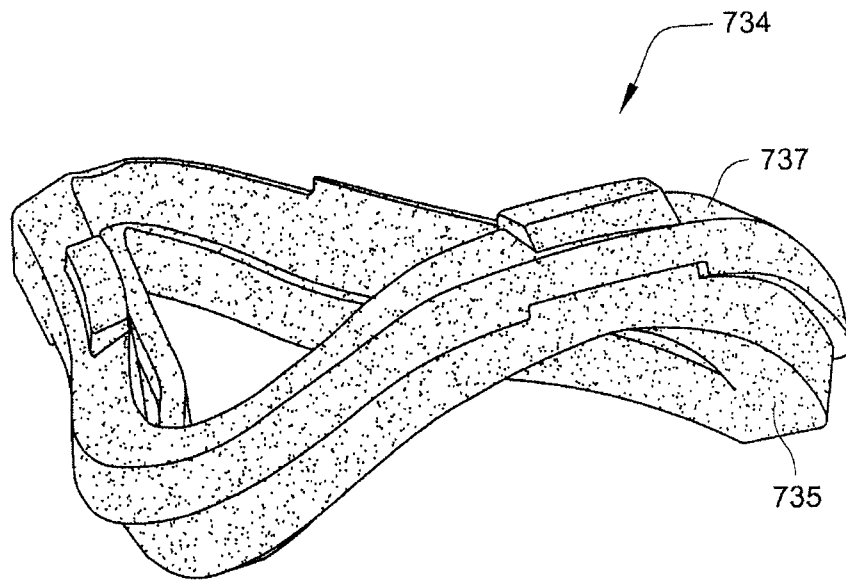


Fig. 13

19/72

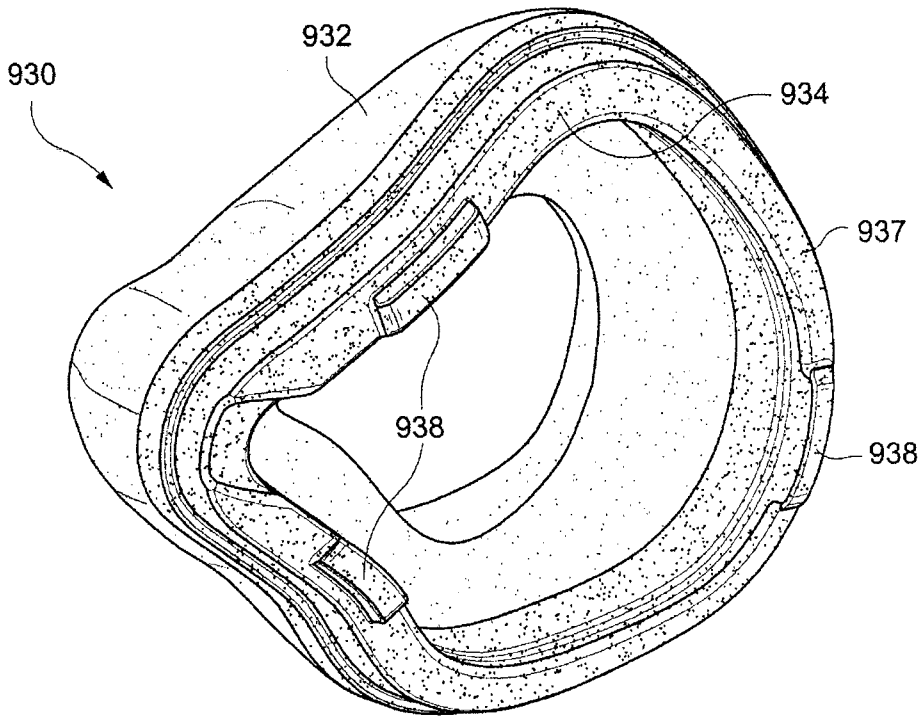


Fig. 14a

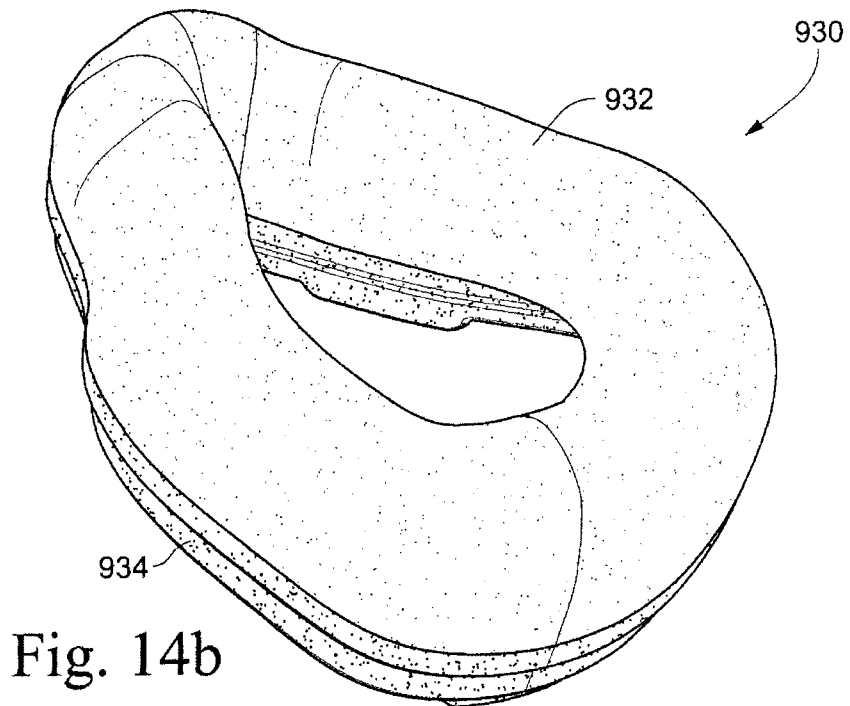


Fig. 14b

20/72

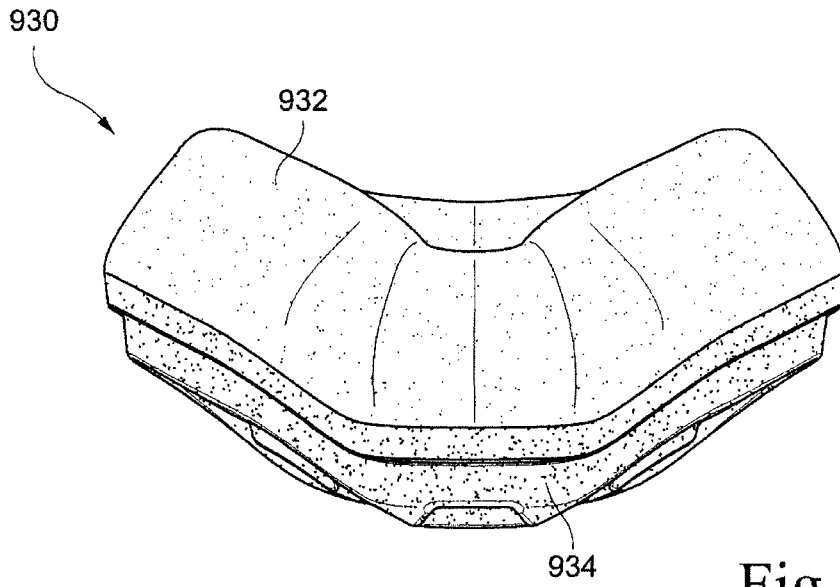


Fig. 14c

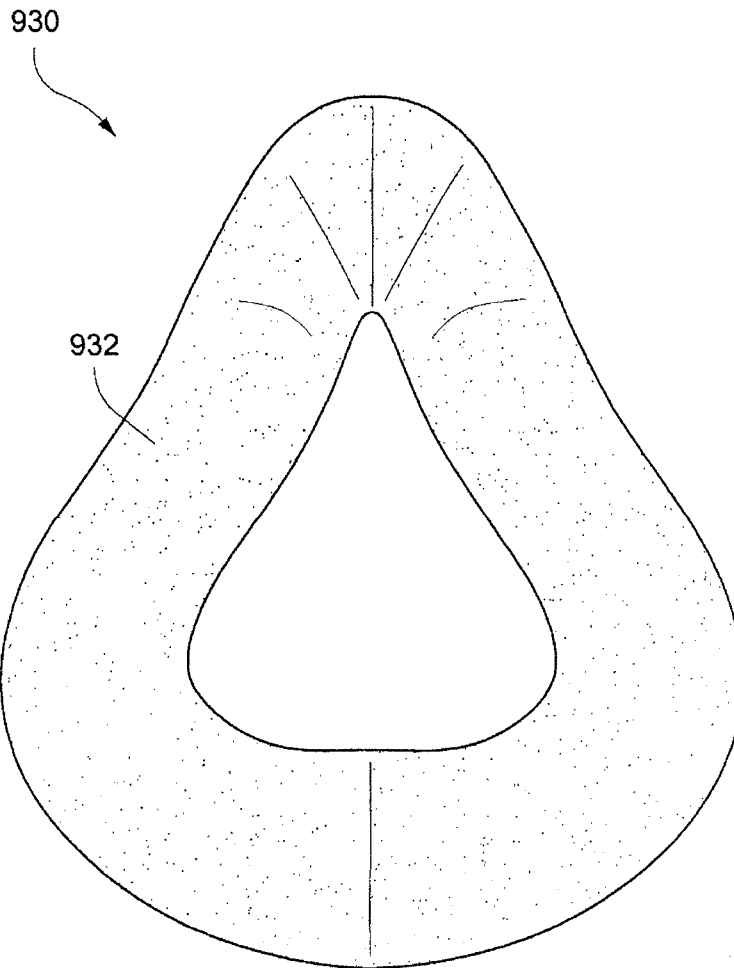


Fig. 14d

21/72

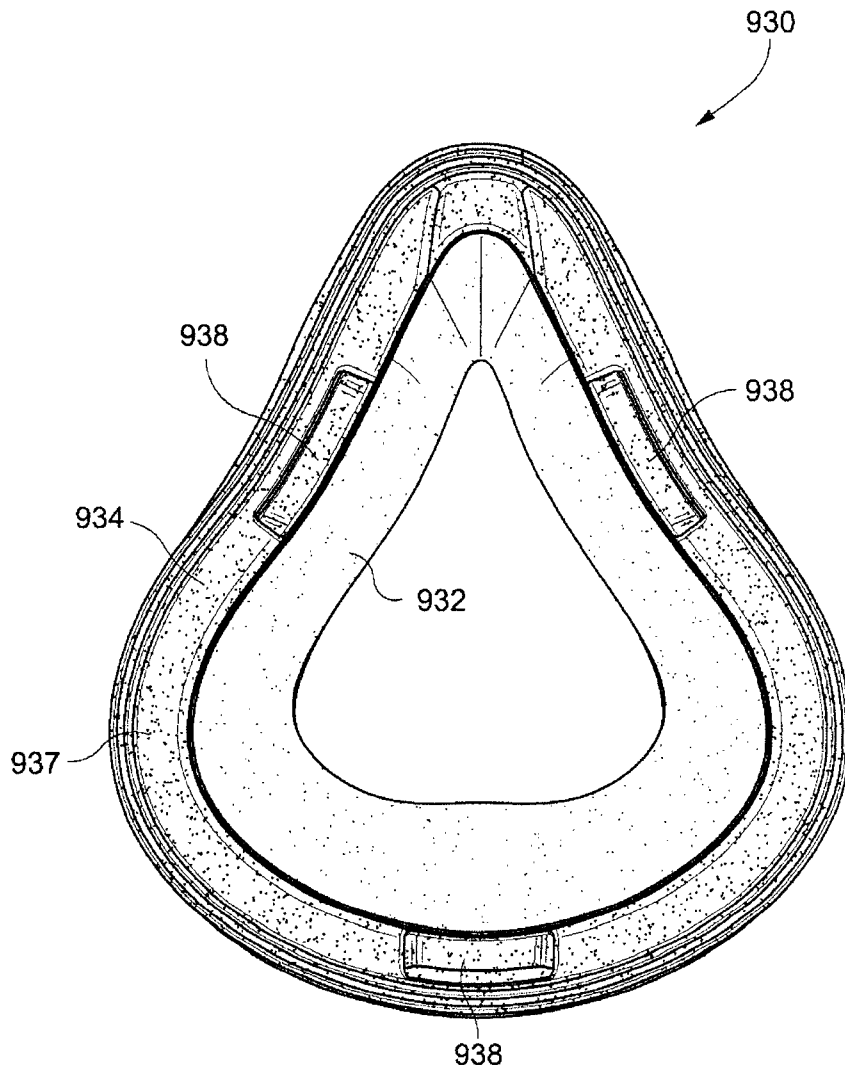


Fig. 14e

22/72

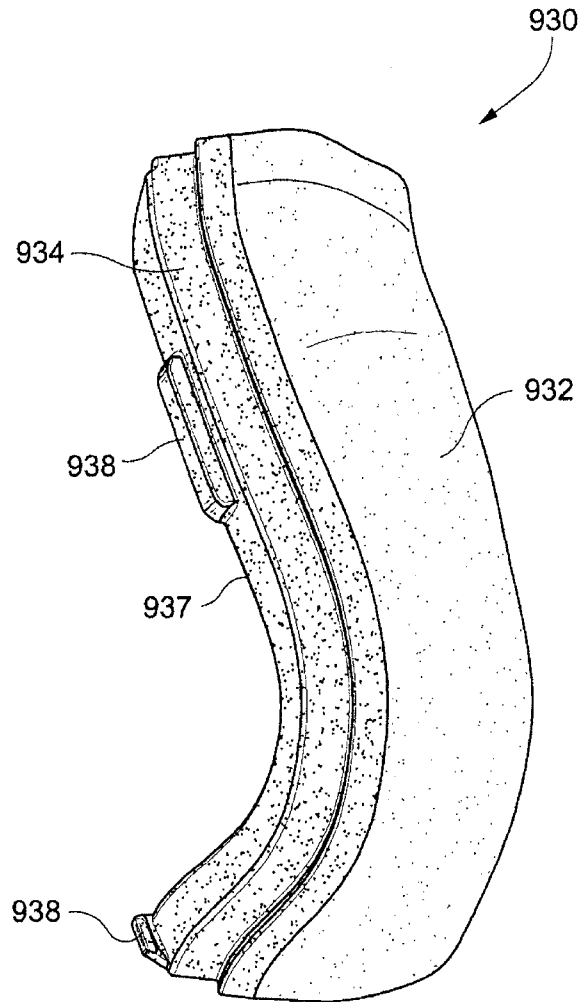
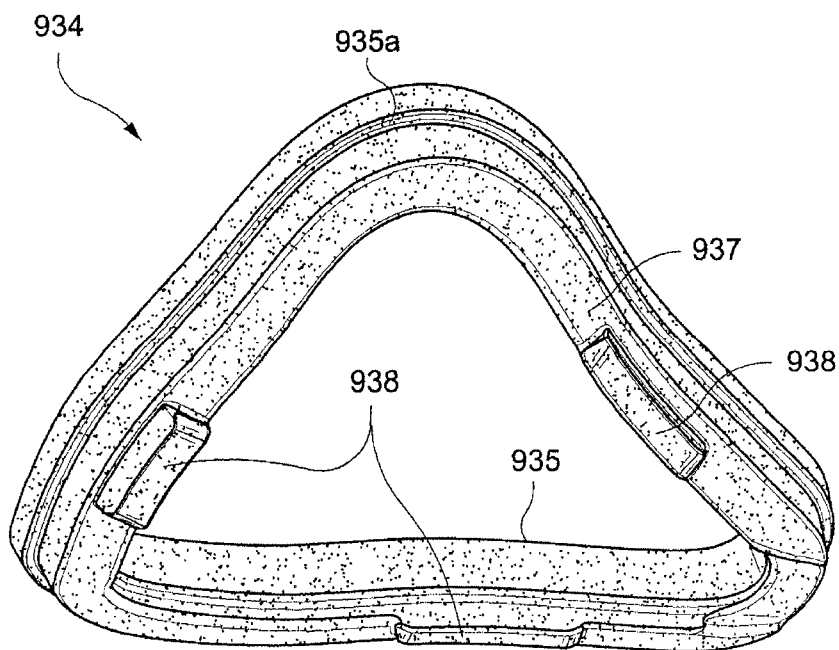
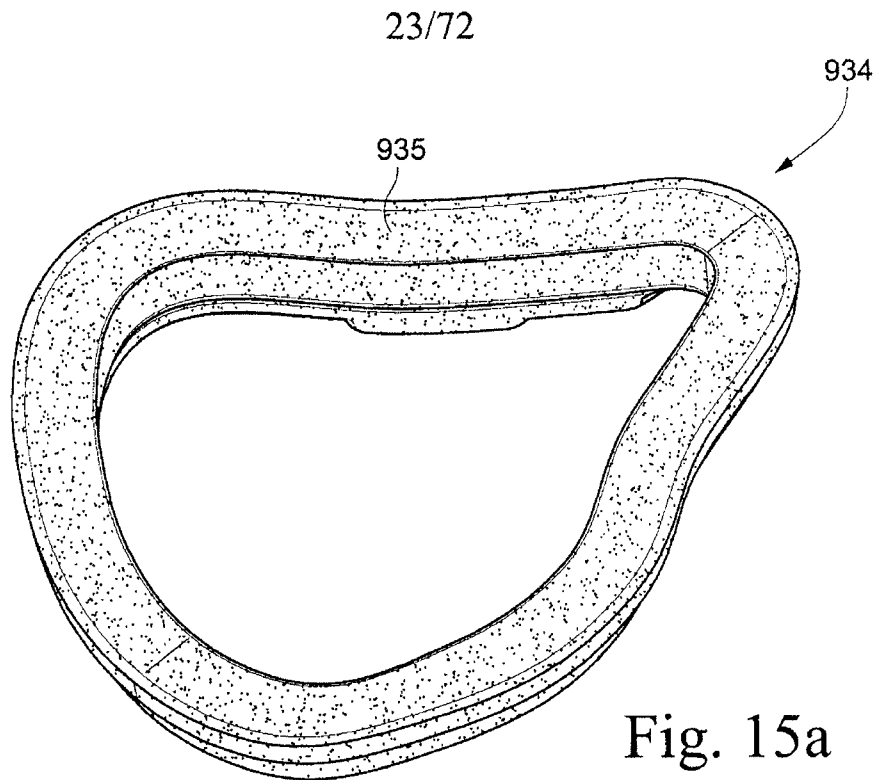


Fig. 14f



24/72

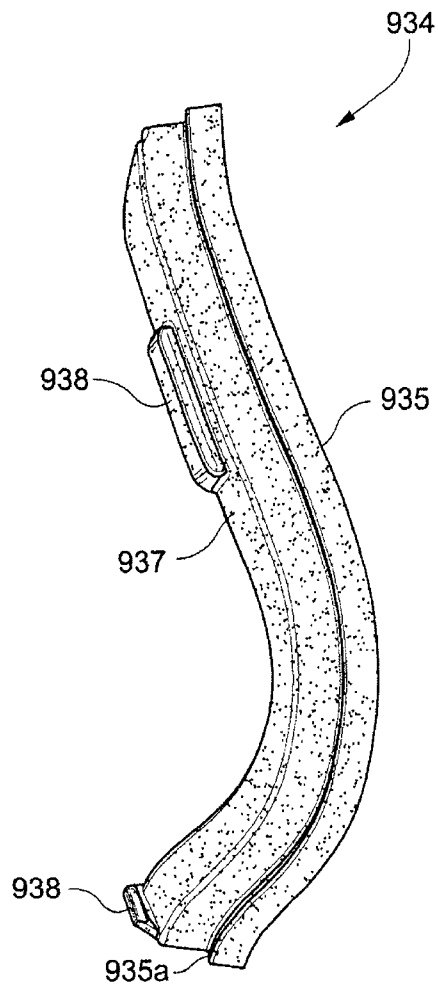


Fig. 15c

25/72

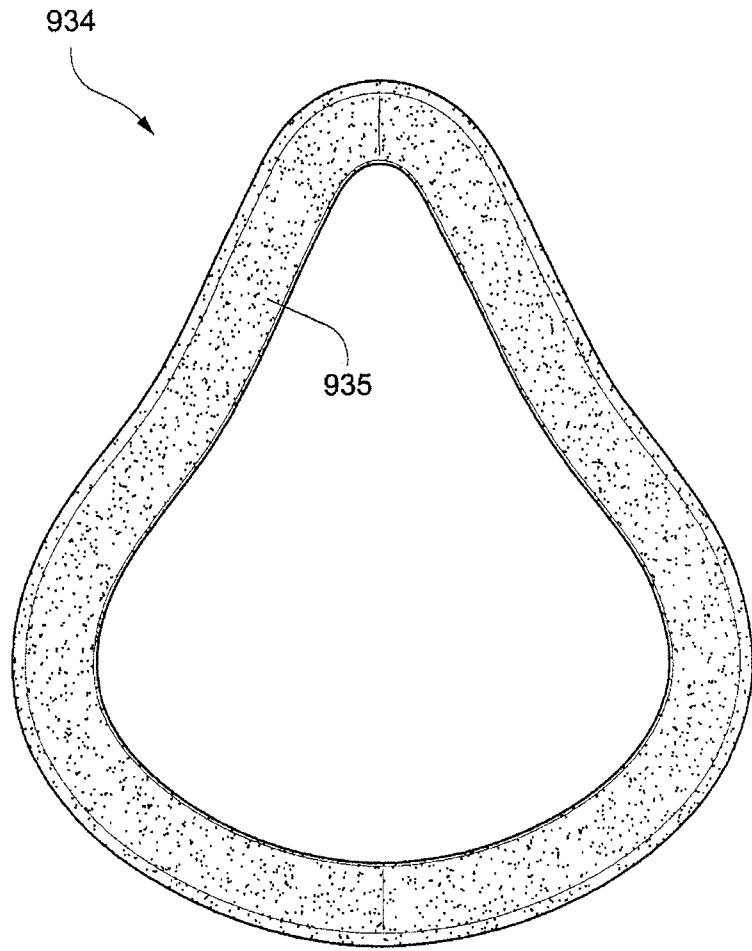


Fig. 15d

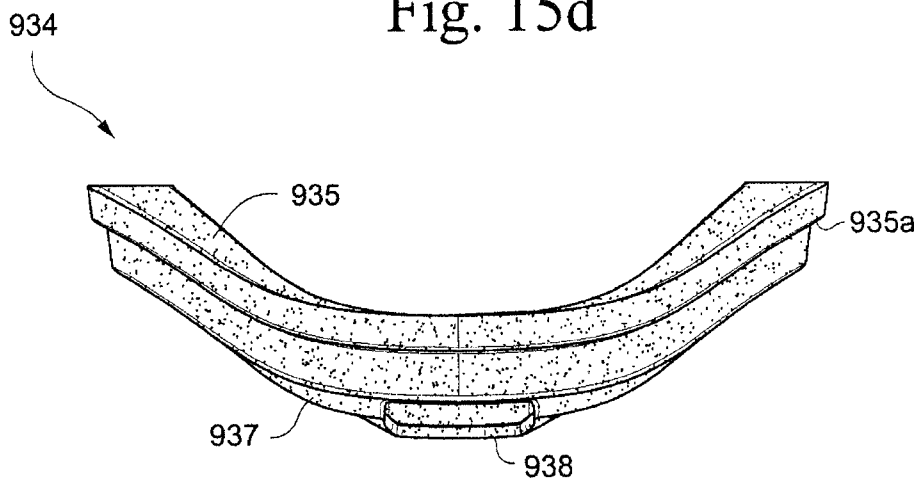


Fig. 15e

26/72

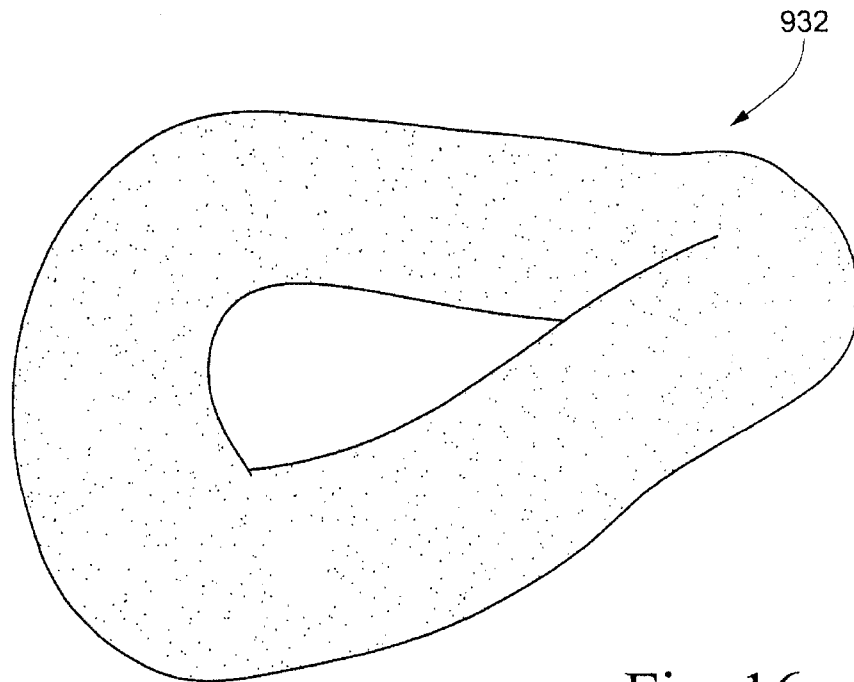


Fig. 16a

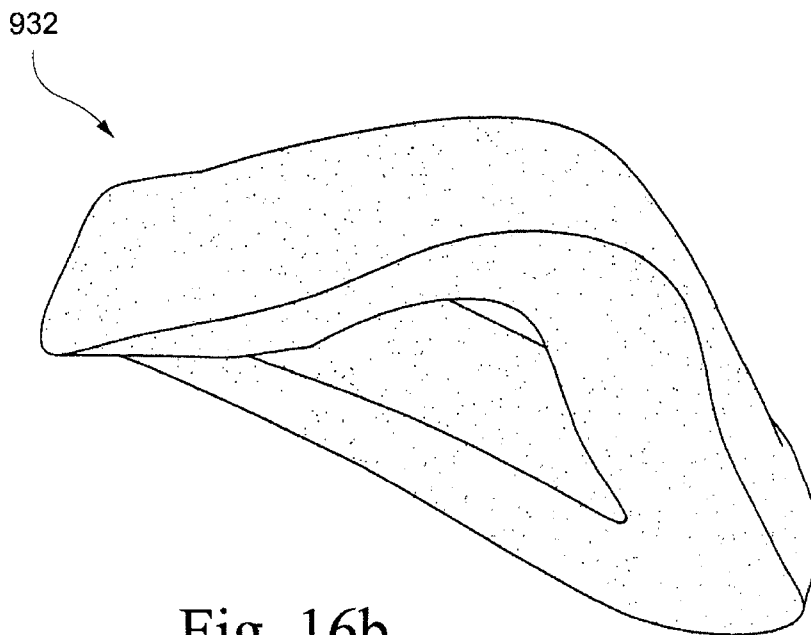


Fig. 16b

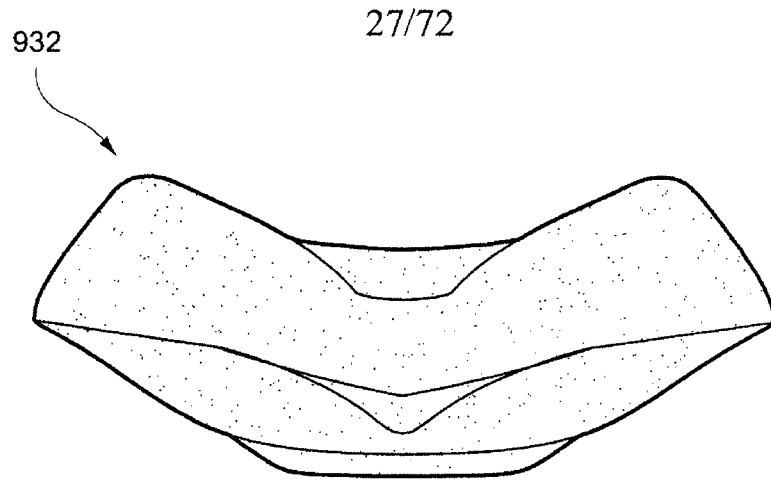


Fig. 16c

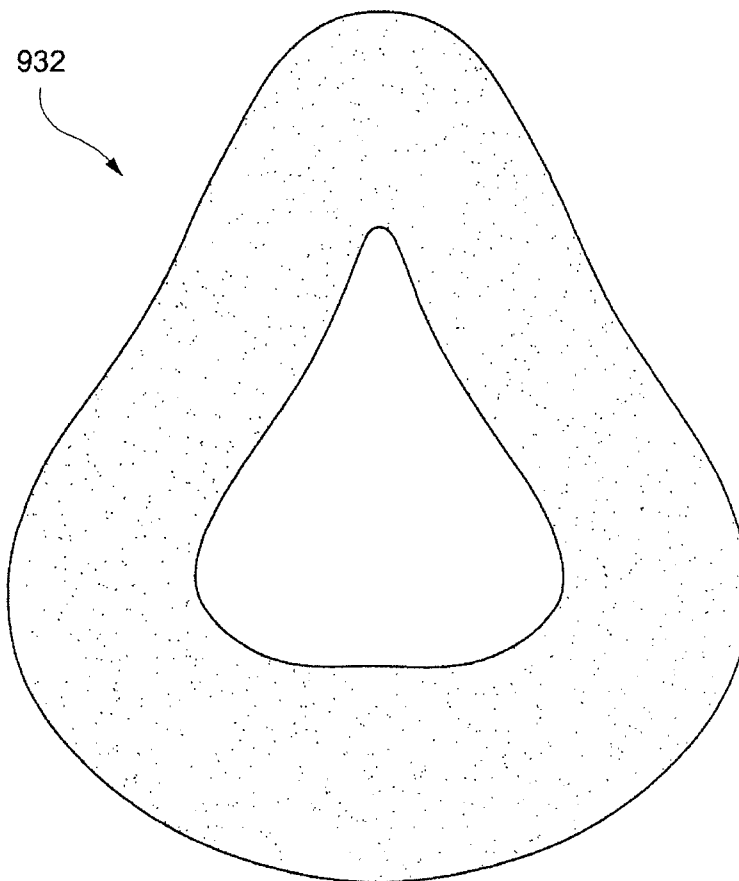


Fig. 16d

28/72

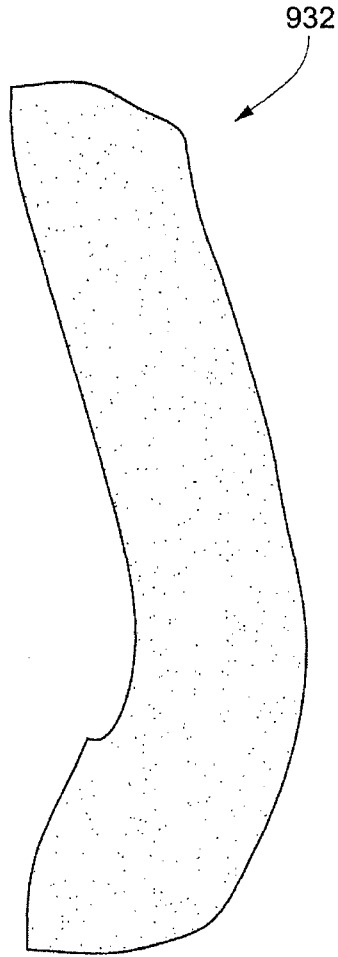


Fig. 16e

29/72

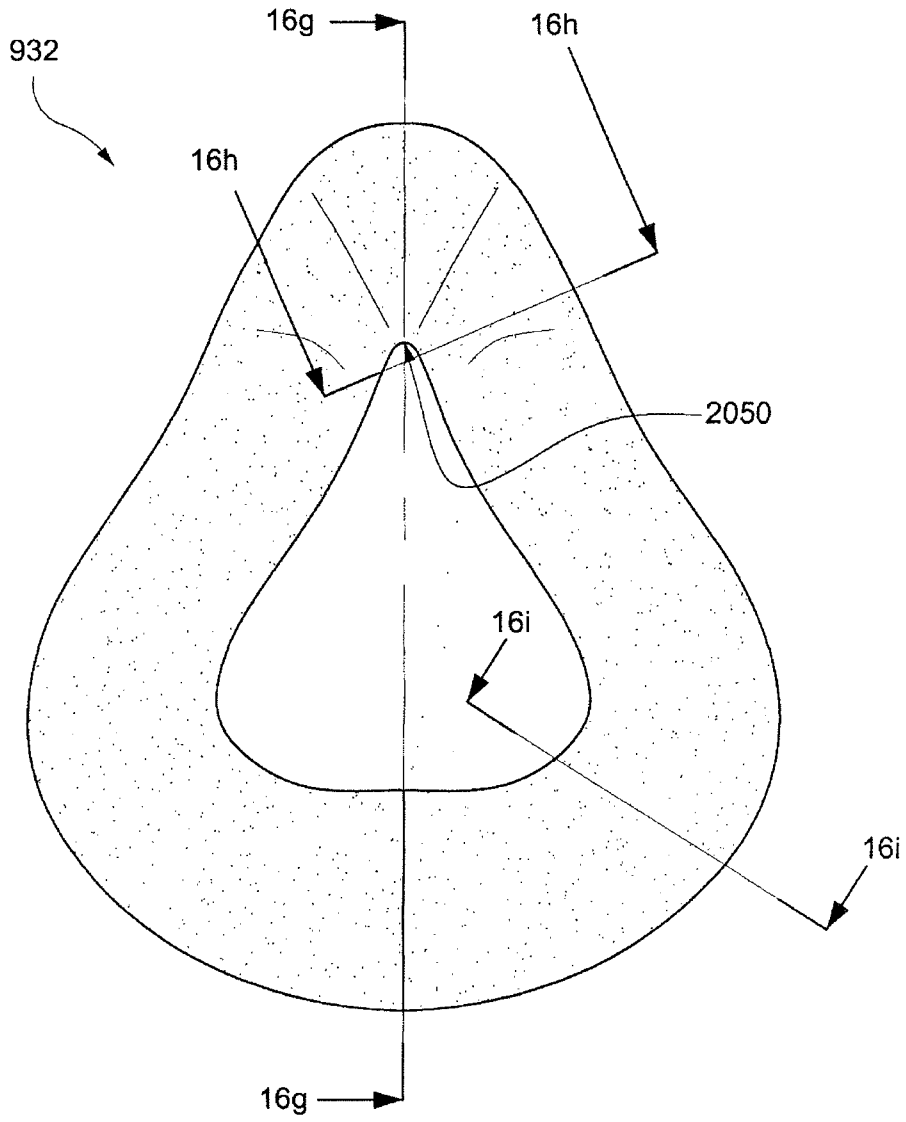


Fig. 16f

30/72

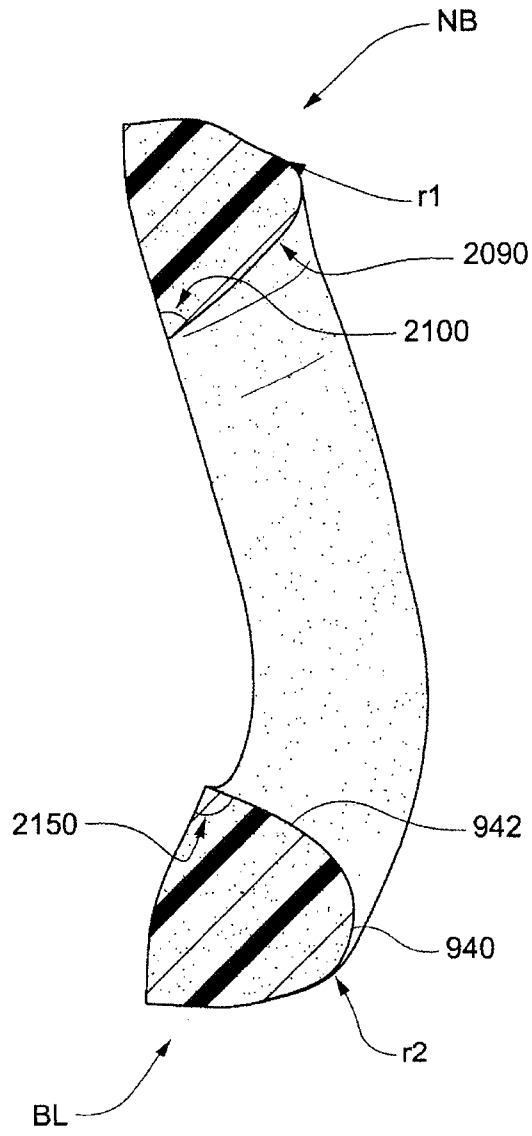


Fig. 16g

31/72

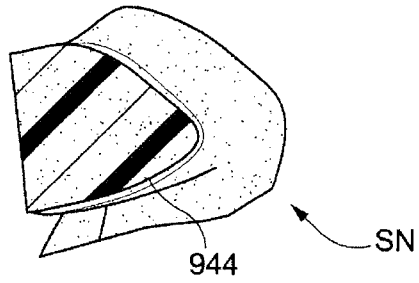


Fig. 16h

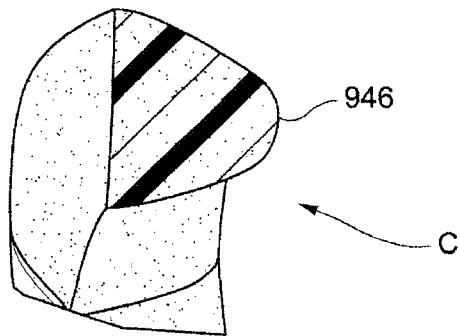


Fig. 16i

32/72

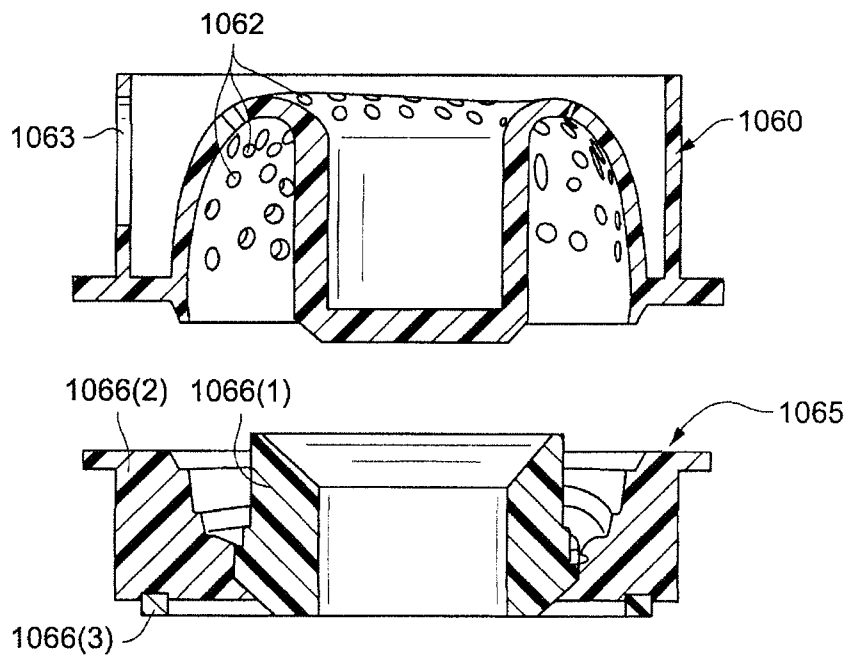


Fig. 17a

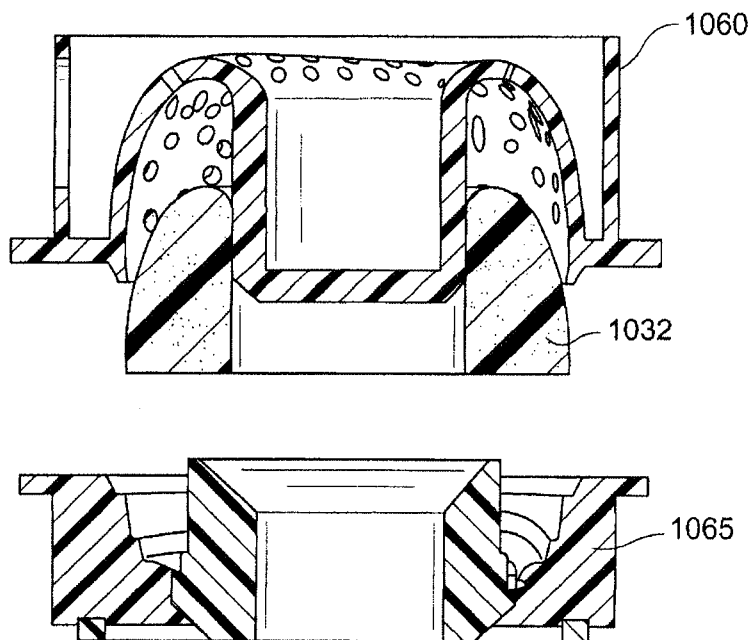


Fig. 17b

33/72

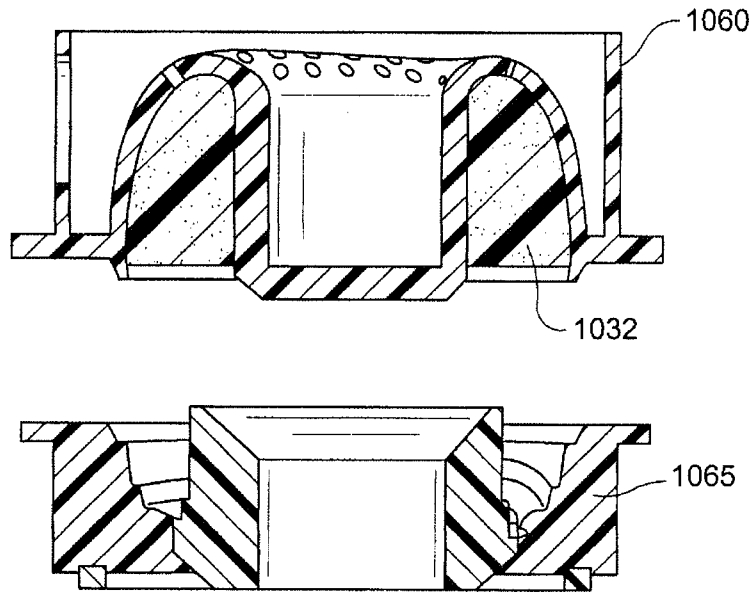


Fig. 17c

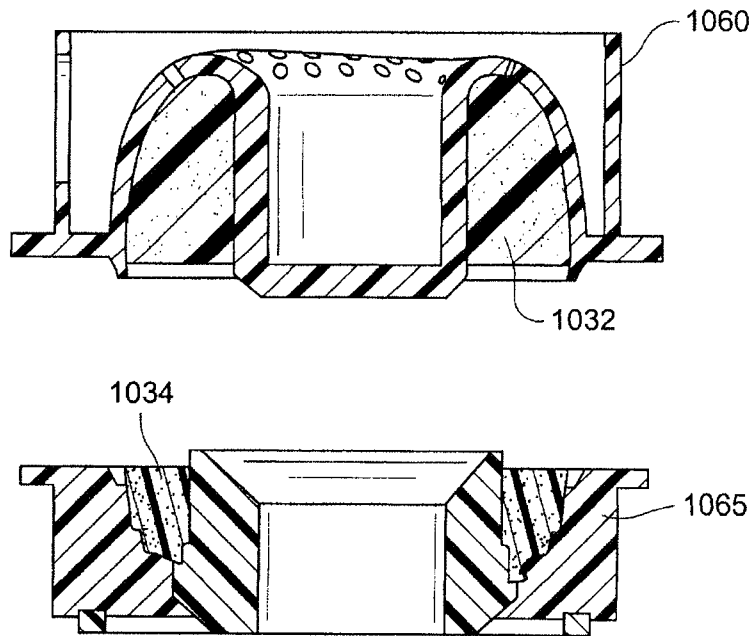


Fig. 17d

34/72

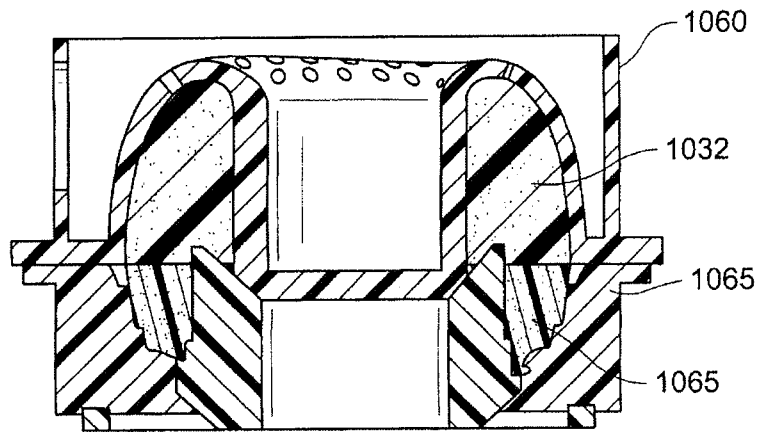


Fig. 17e

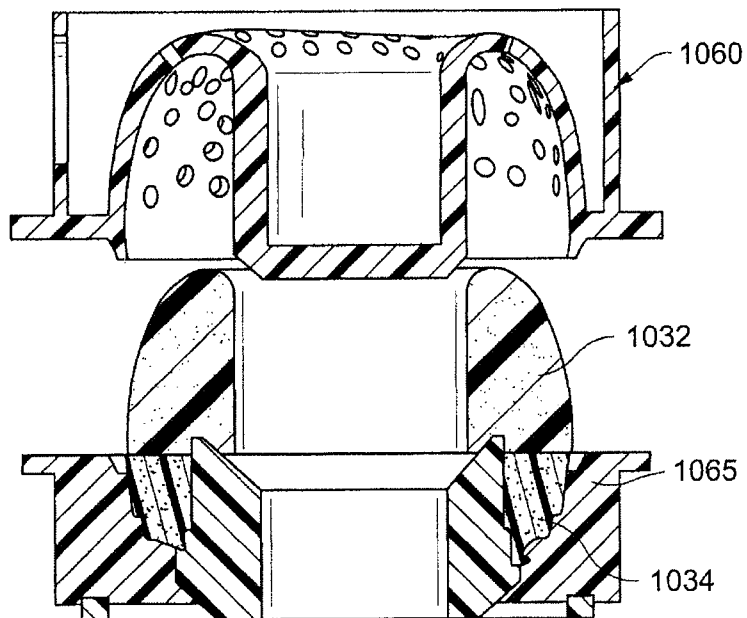


Fig. 17f

35/72

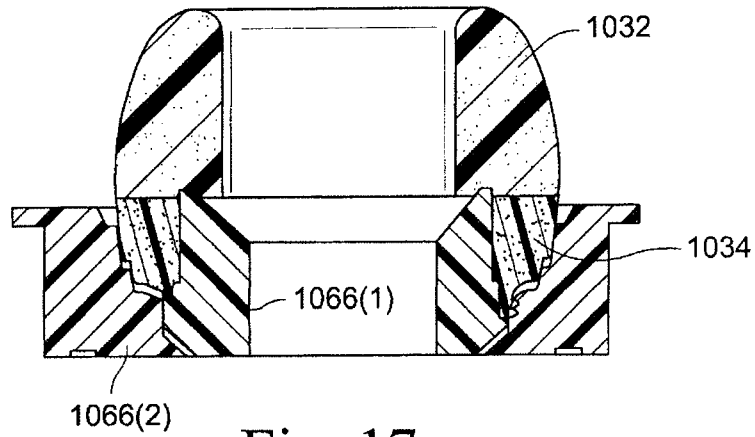


Fig. 17g

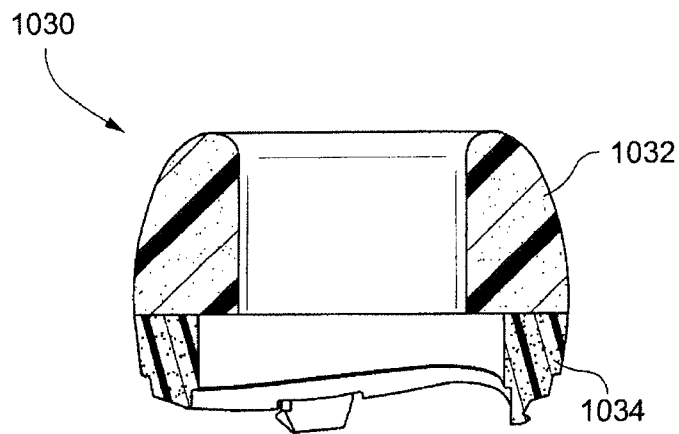


Fig. 17h

36/72

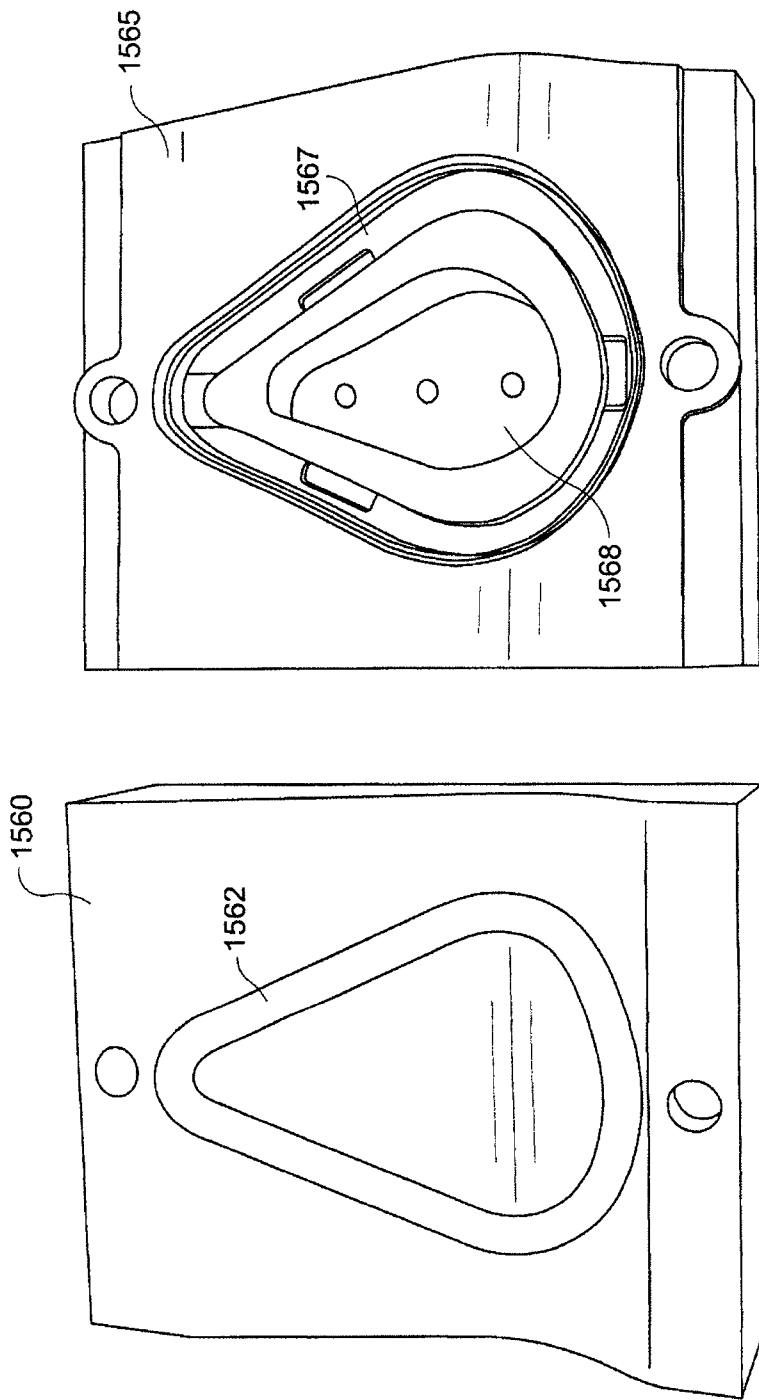


Fig. 18a

37/72

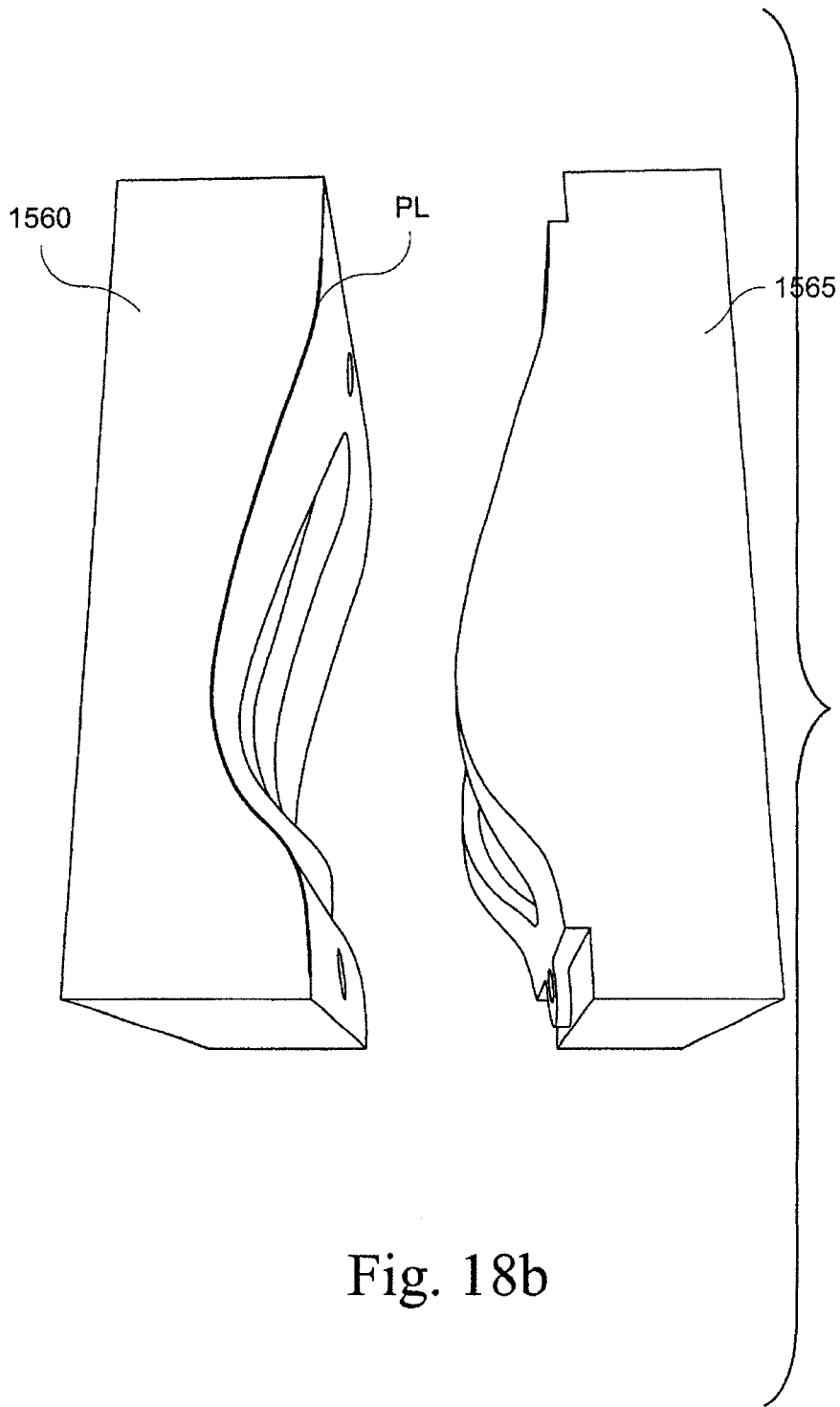


Fig. 18b

38/72

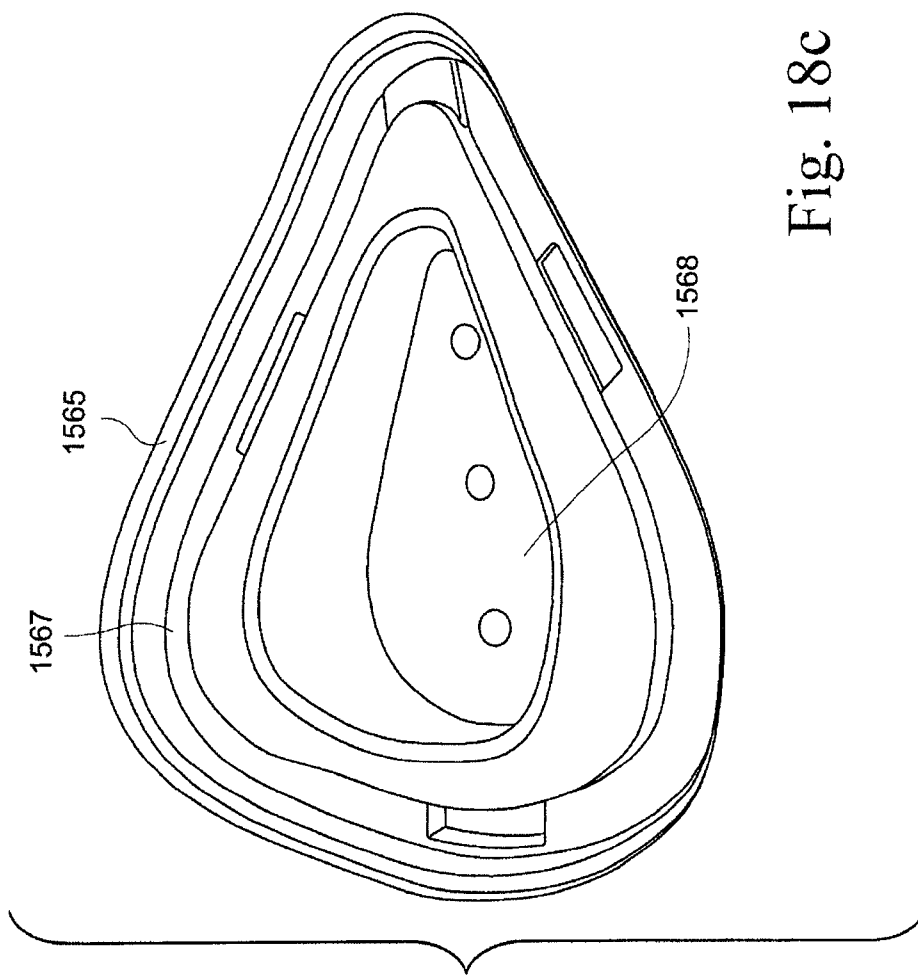


Fig. 18c

39/72

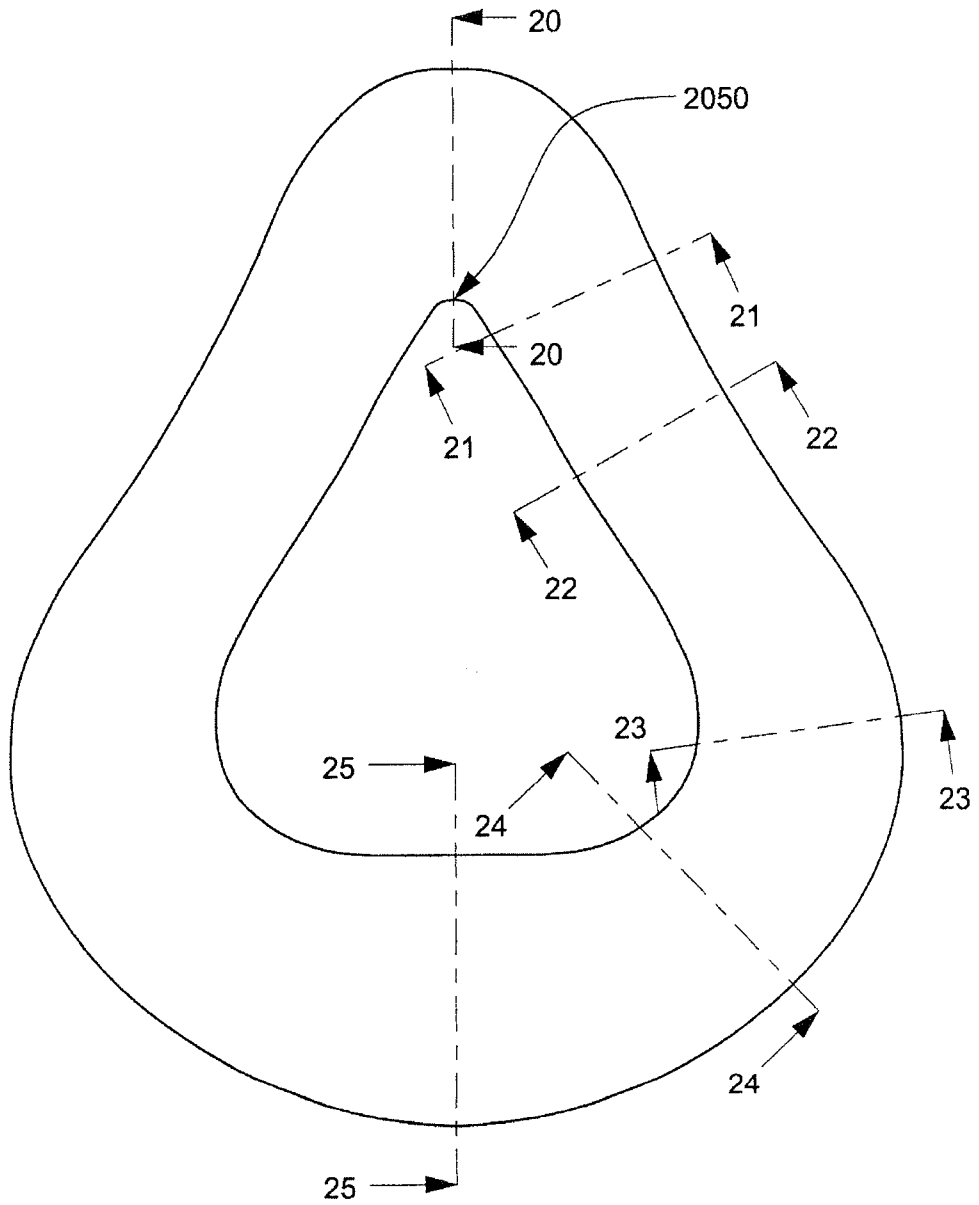


Fig. 19

40/72

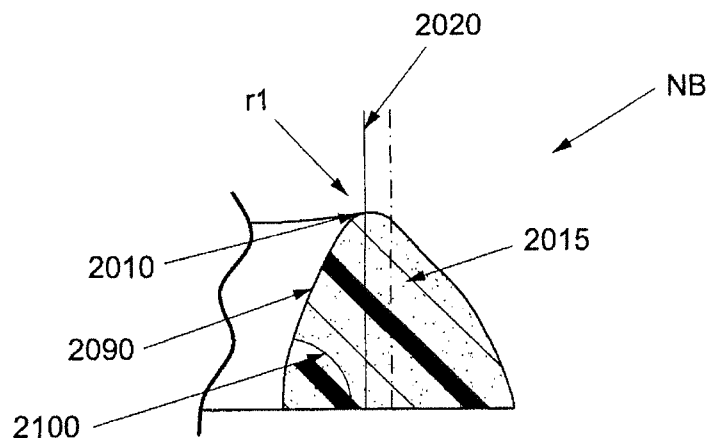


Fig. 20

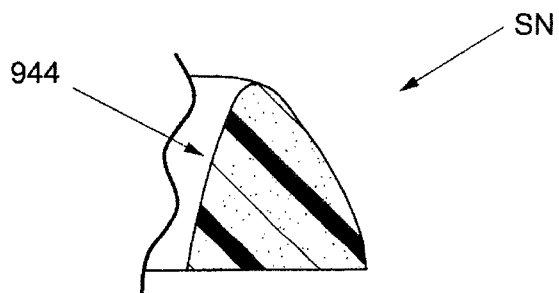


Fig. 21

41/72



Fig. 22

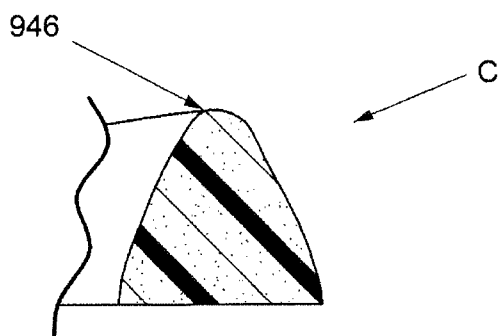


Fig. 23

42/72

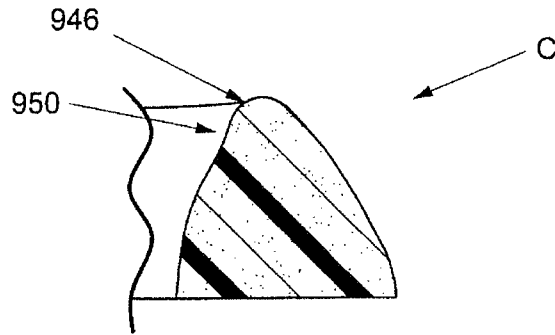


Fig. 24

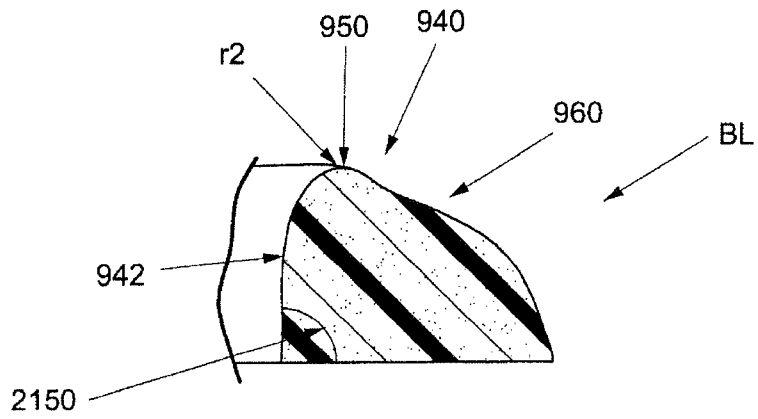


Fig. 25

43/72

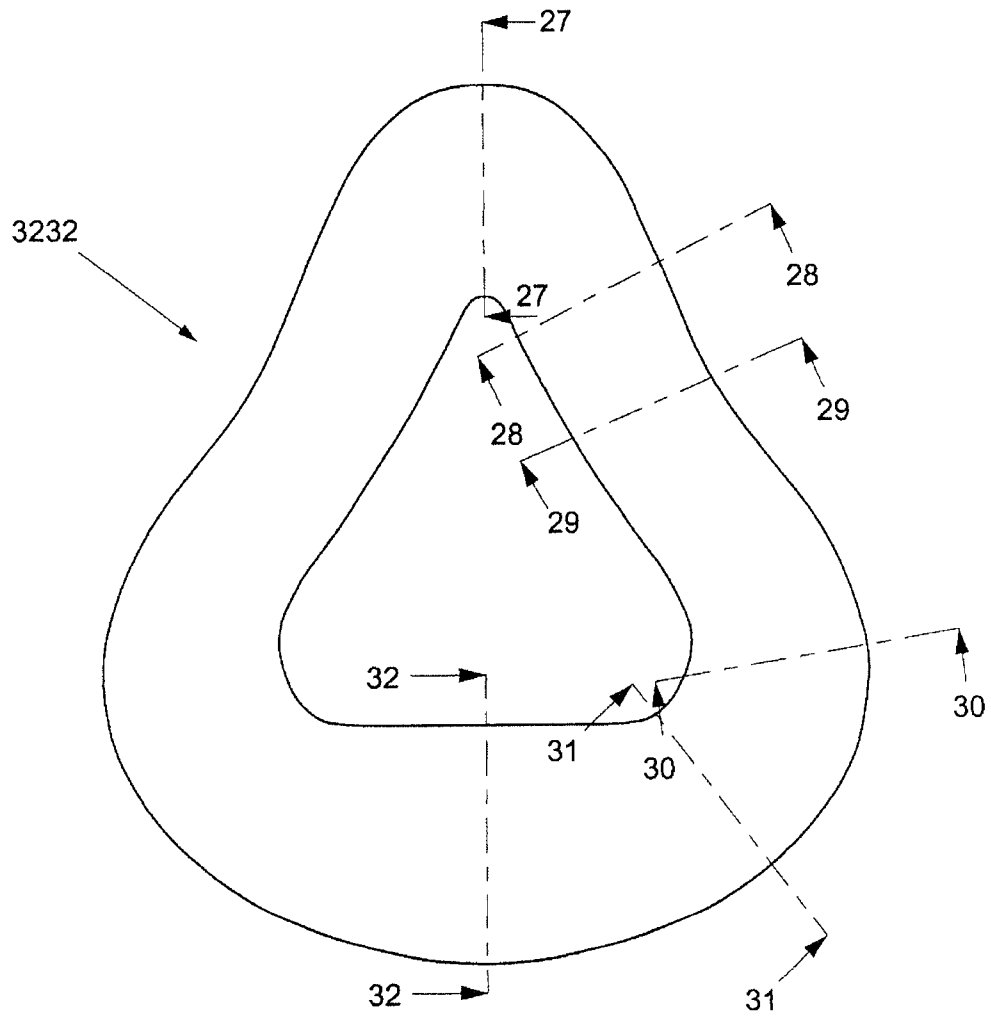


Fig. 26

44/72

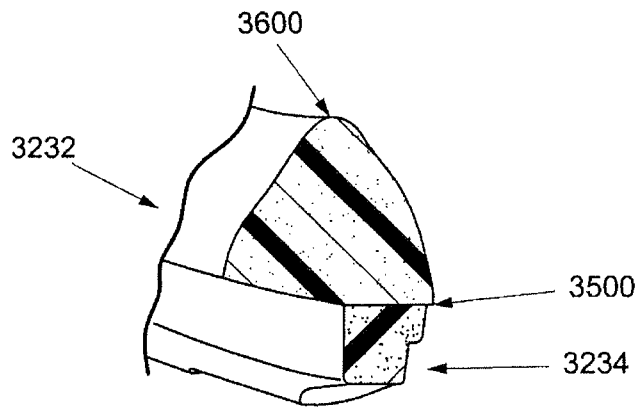


Fig. 27

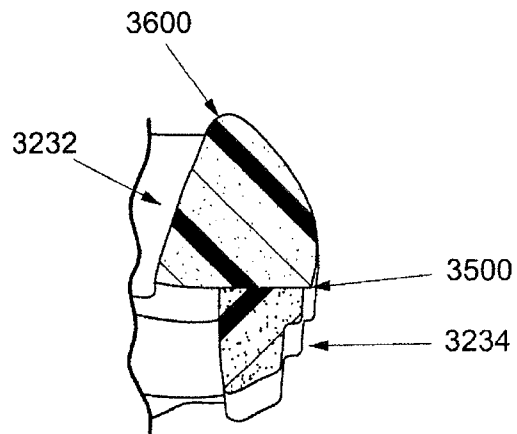


Fig. 28

45/72

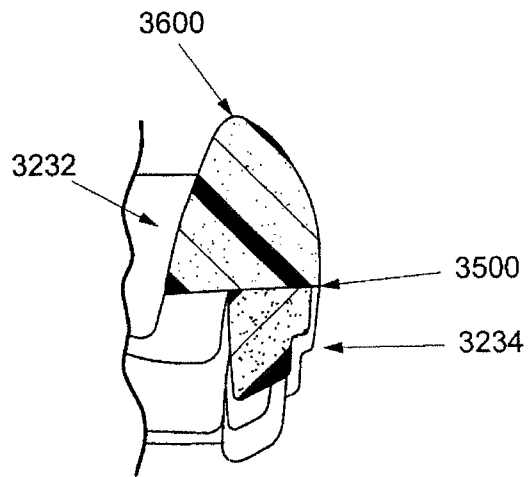


Fig. 29

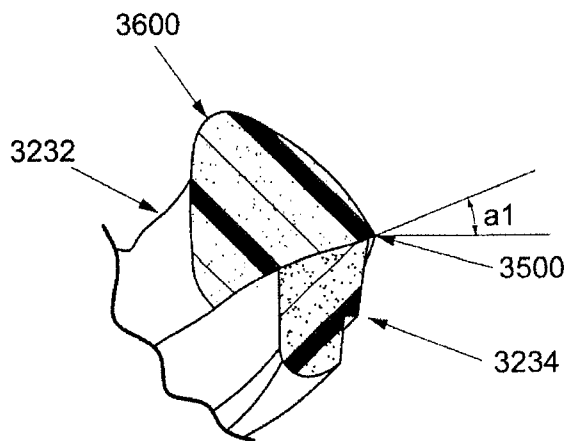


Fig. 30

46/72

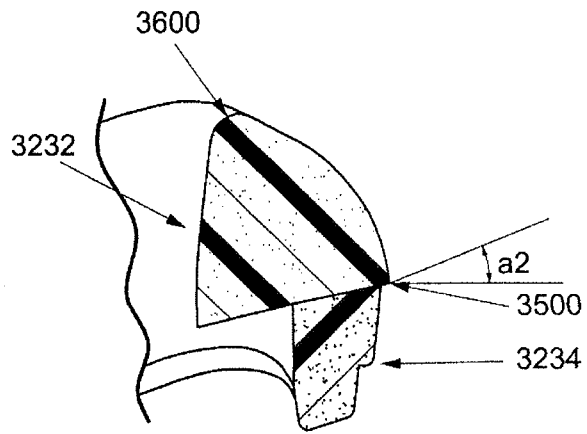


Fig. 31

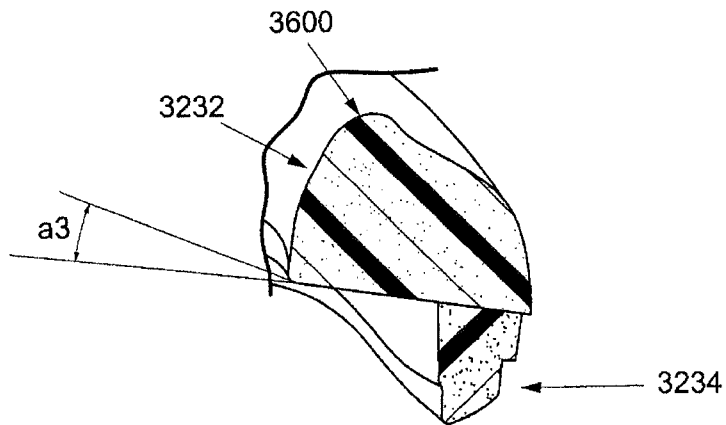


Fig. 32

47/72

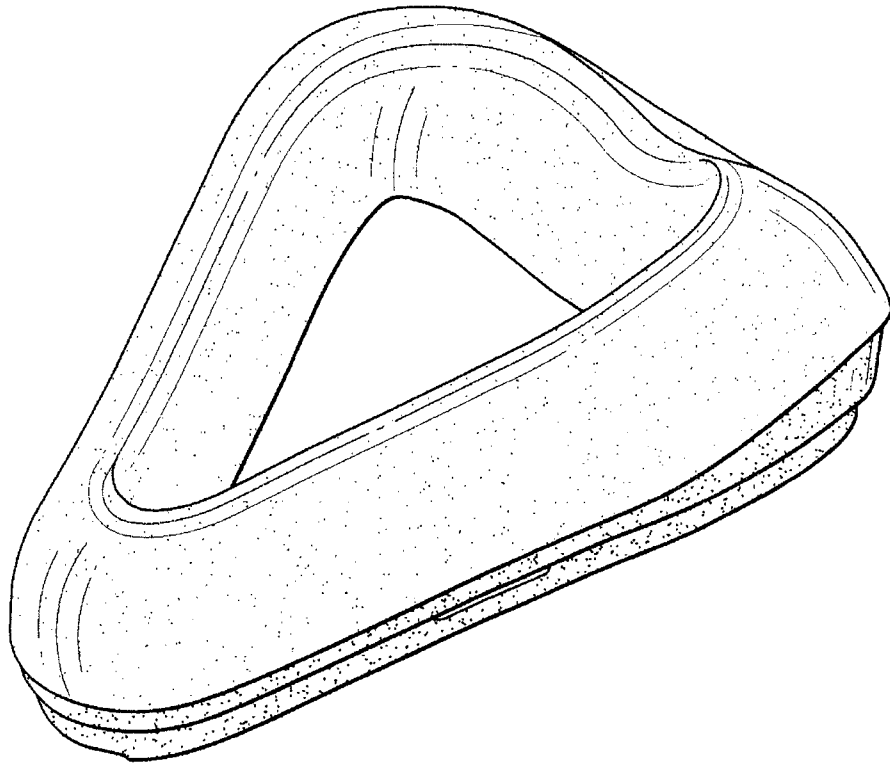


Fig. 33

48/72

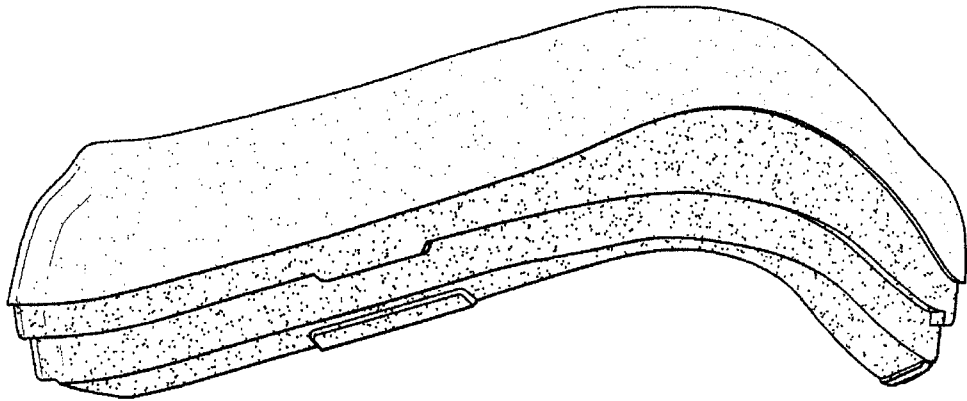


Fig. 34

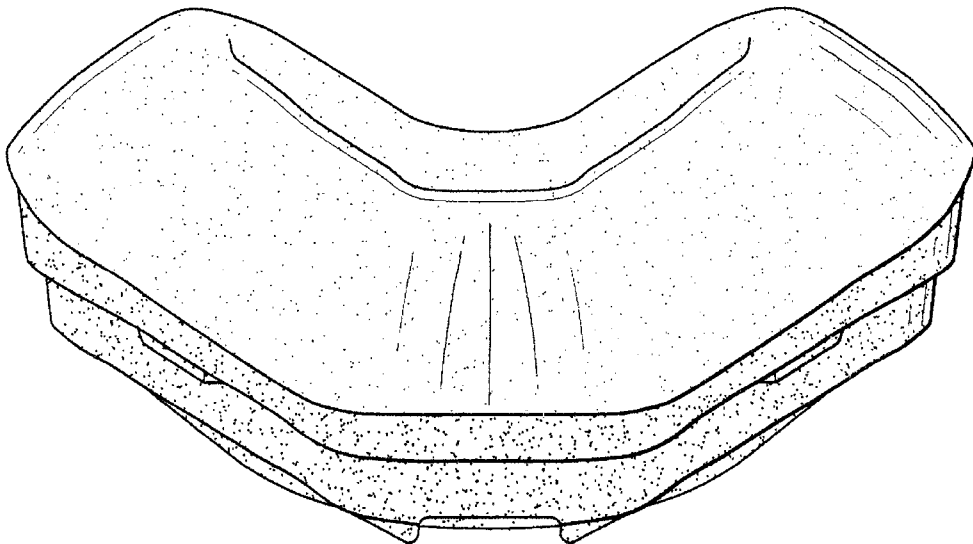


Fig. 35

49/72

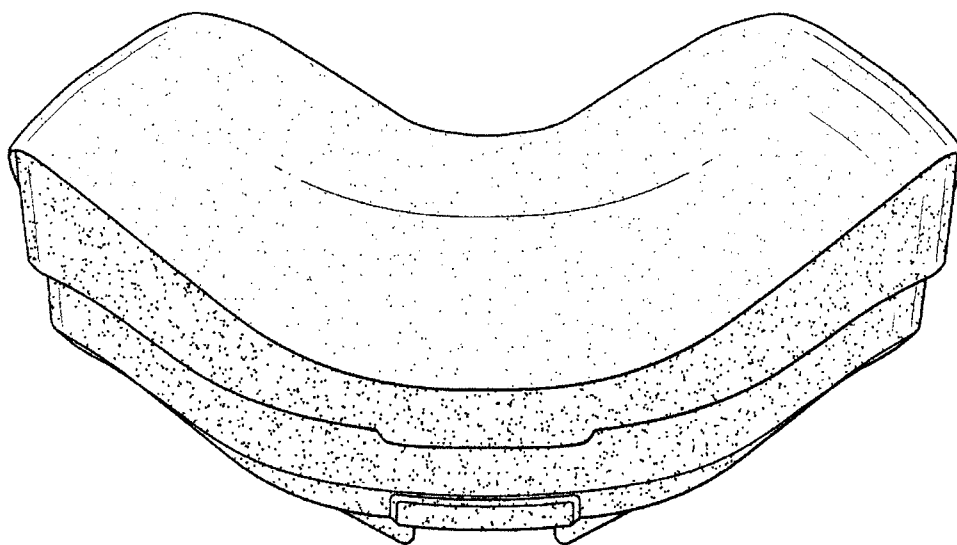


Fig. 36

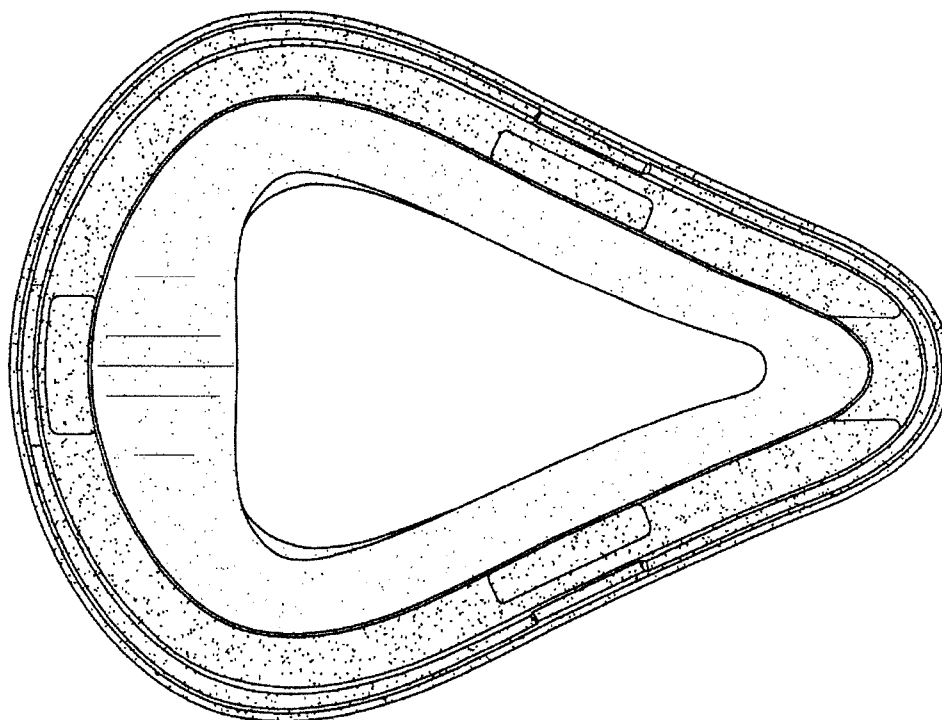


Fig. 37

50/72

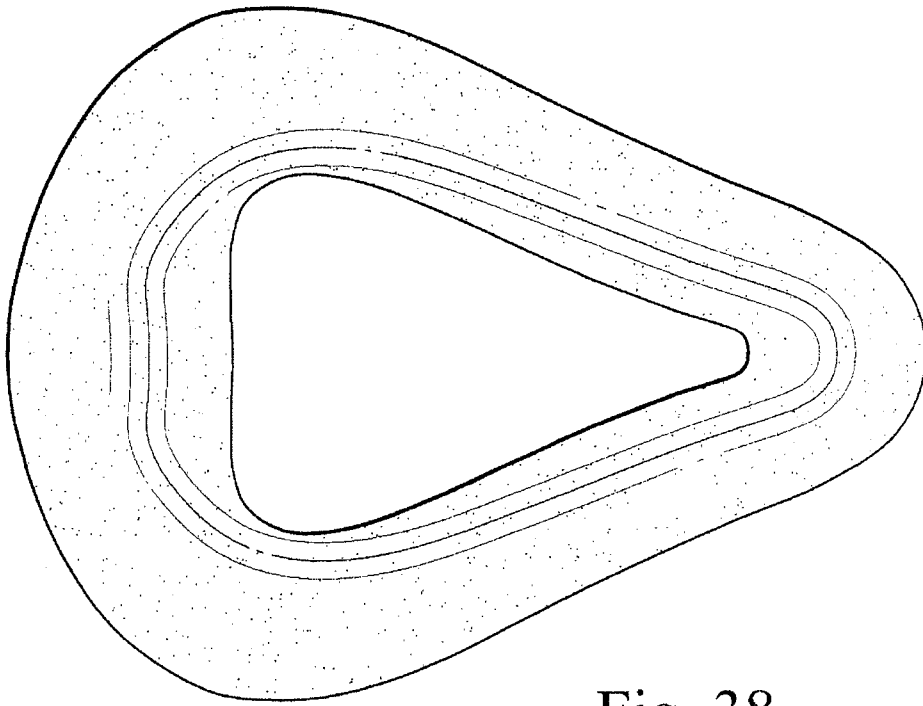


Fig. 38

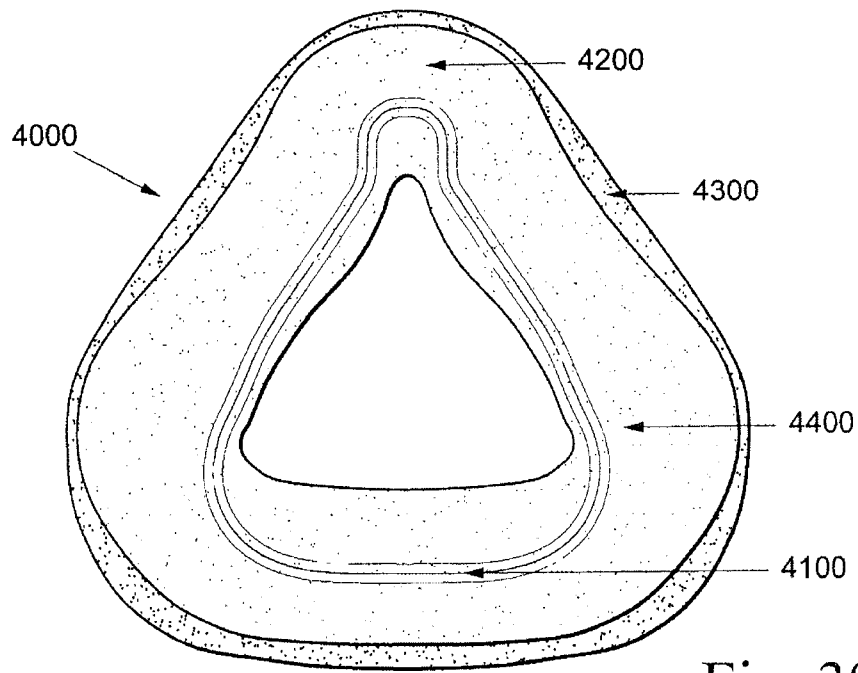


Fig. 39

51/72

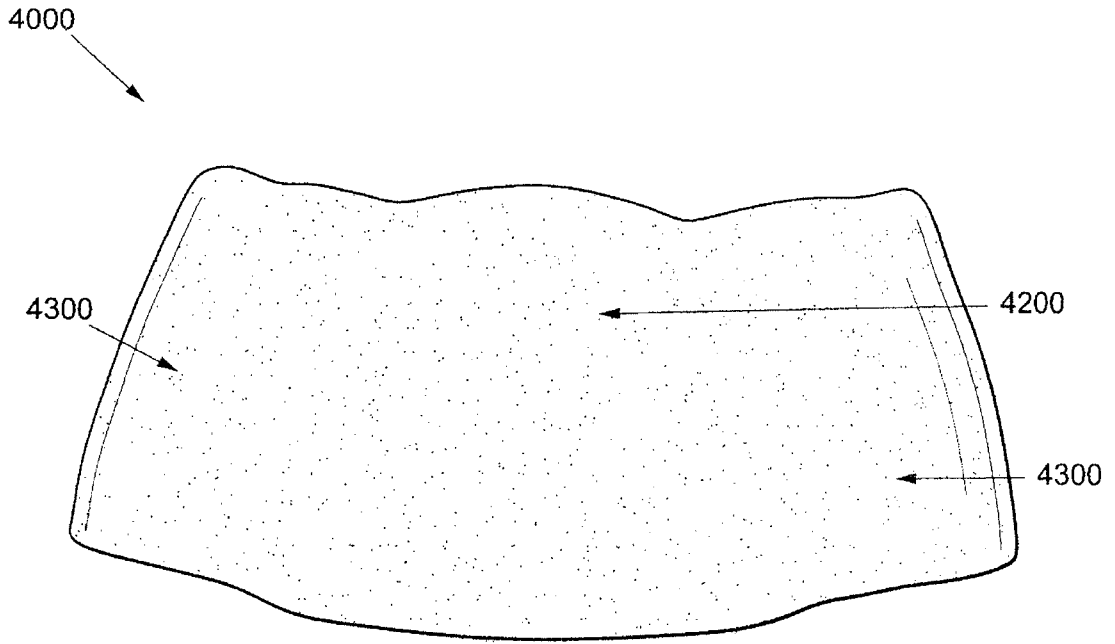


Fig. 40

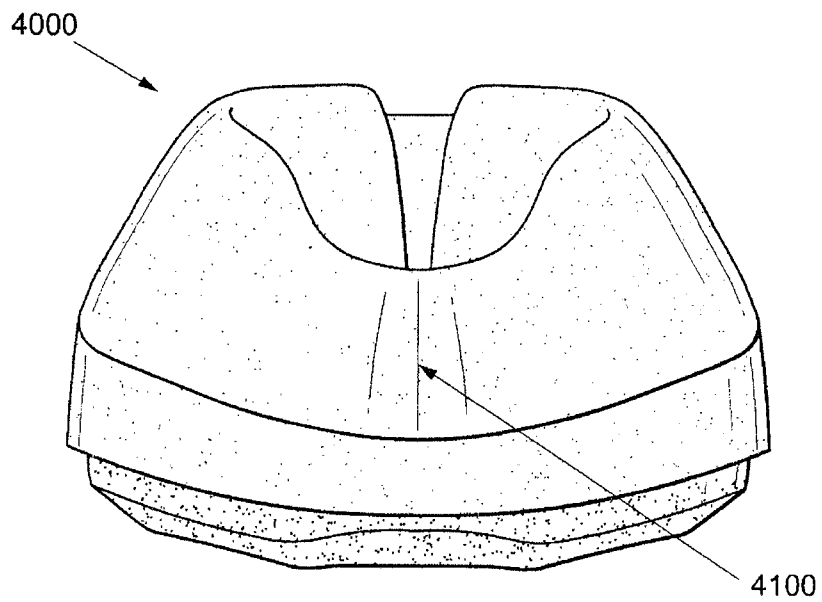
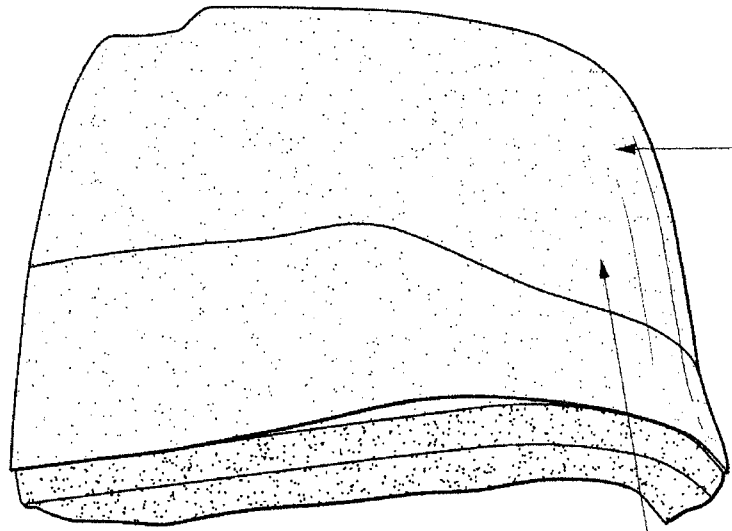


Fig. 41

52/72

4000



4100

Fig. 42

4200

4000

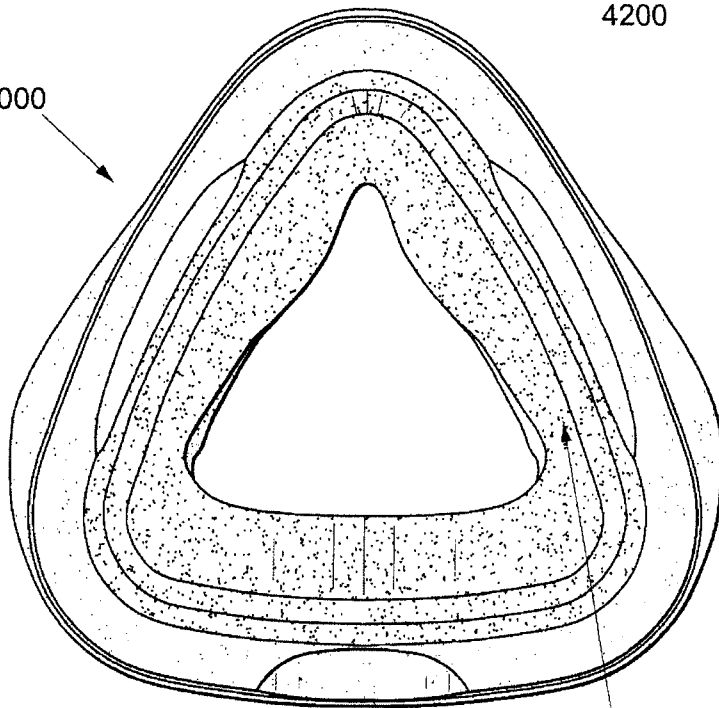


Fig. 43

4200

53/72

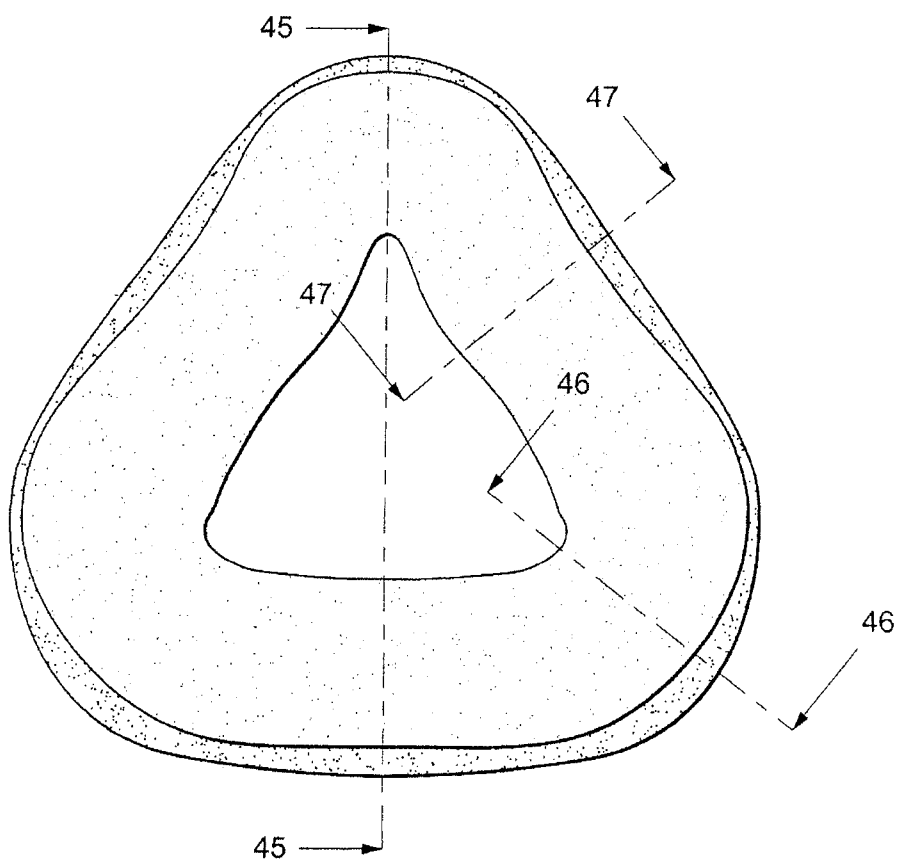


Fig. 44

54/72

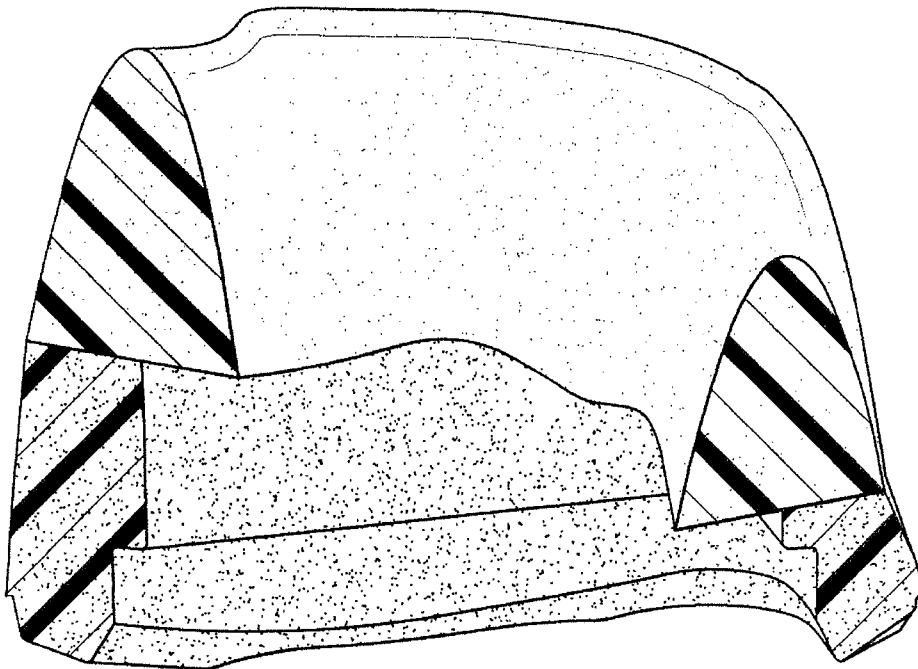


Fig. 45

55/72

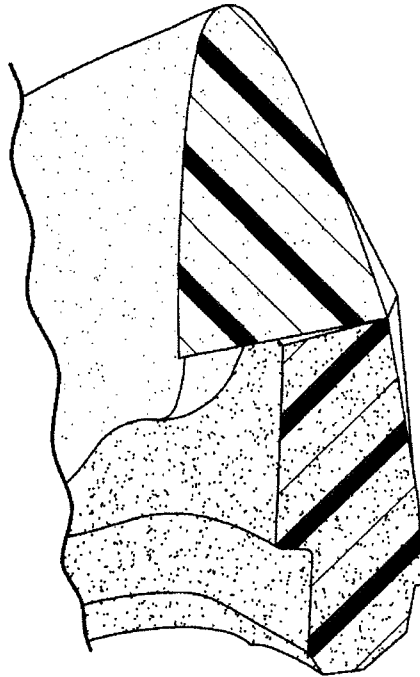


Fig. 46

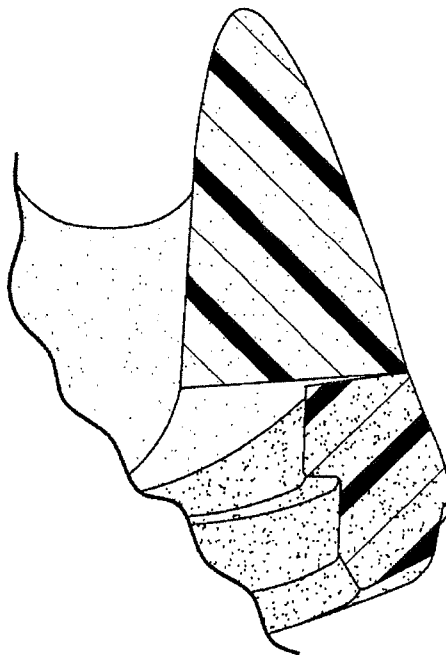


Fig. 47

56/72

CUSHION FOAM

MATERIAL PROPERTY	UNITS	2nd PREFERRED RANGE	1st PREFERRED RANGE	TEST STANDARD
Density	(kg/m ³)	40 - 70	50 - 60	DIN EN ISO 845 AS 2282.3
Compression Set	(%)	0 - 20	< 2	ISO 1856 AS 2282.9
Tear Resistance	(N/m)	100 - 500	200-350	(AS 2282.7)
Tensile Strength	(N)	10 - 30	15 - 22	(AS 2282.6)
Elongation @ break	(mm)	150 - 300+	200 - 300	(AS 2282.6)
Tensile Stiffness	(N/mm)	0.05 - 1.25	0.07 - 1.00	Section 6 of specification
Hardness ILD @ 40%	(N)	70 -160	90 - 130	(AS 2282.8)
Sealing Force @ 40%	(N)	10 - 30	15 -25	TBA
Hysteresis	(%)	25 - 35	2 - 50	ISO 3386 - 1/2
Relaxation @ 40%	(%)	0 - 50	10 - 30	TBA
Resilience (Rebound)	(%)	< 50	<10	AS 2282.11
Cell Count	(Cells/cm)	5 - 120	60 - 120	(AS 2282.5)
Cell Structure	Homo/Heterogeneous (Cell Size - μ m)	Homogeneous or Heterogeneous (20 - 4000)	Heterogeneous (20-1000)	N/A
Air flow	(L/sec at 400 Pa)	0 - 1	0.2 - 0.5	AS 2282.14
Air permeability (annular sample)	(L/min at 40% compression 20 cmH ₂ O)	1 - 16	1 - 3	Section 6
Air permeability (cushion tested in mask form, all other leak paths sealed)	(L/min at 40% compression 20 cmH ₂ O)	0 - 25	0.5 - 6	Section 6 of specification

Fig. 48

57/72

CLIP FOAM (MICROCELLULAR PU)

MATERIAL PROPERTY	UNITS	2nd PREFERRED RANGE	1st PREFERRED RANGE	TEST STANDARD
Air permeability	(L/m ² /s)	0 - 5	0	any
Density	(Kg/m ³)	100 -500	150 - 300	DIN EN ISO 845 AS 2282.3
Compression Set	(%)	0 - 20	0 - 2	ISO 1856
Hardness ILD @ 40%	(N)	10 - 100	30 - 60	Shore O (or Shore A - TBC)
Resilience (Rebound)	(%)	> 50	> 80	AS 2282.11
Cell Count	(Cells/cm)		higher	(AS 2282.5)
Cell Structure	Homo/Heterogeneous (Cell Size - mm)		small	N/A

Fig. 49

58/72

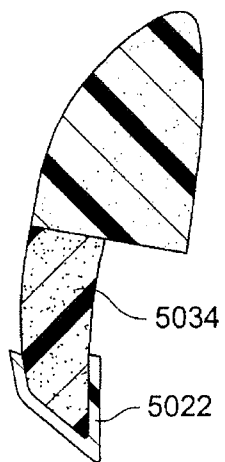


Fig. 50-1

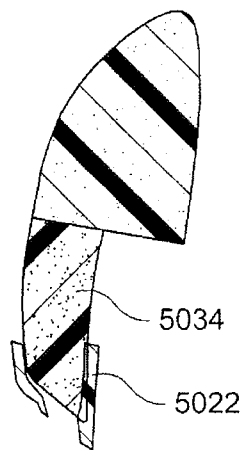


Fig. 50-2

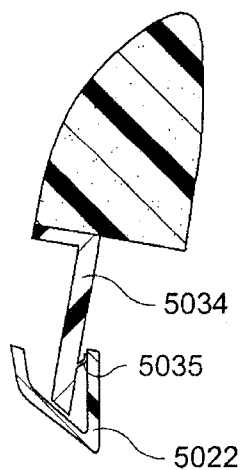


Fig. 51-1

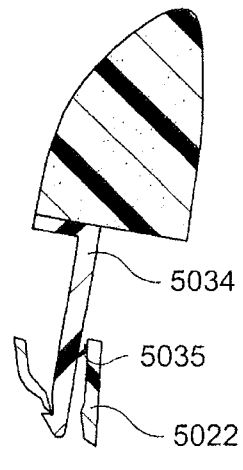


Fig. 51-2

59/72

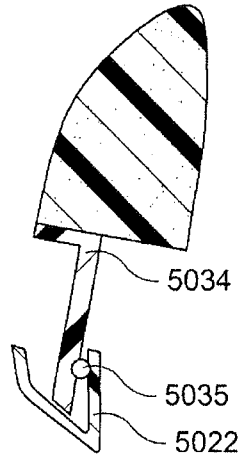


Fig. 52-1

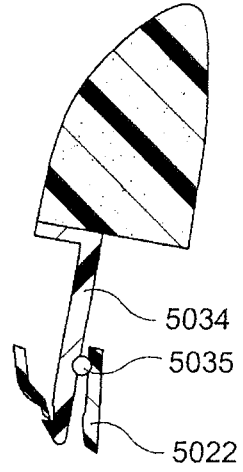


Fig. 52-2

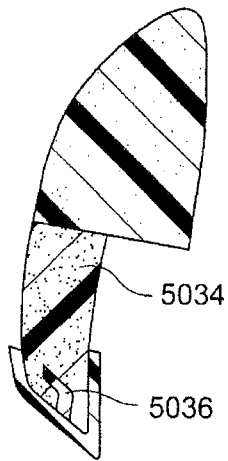


Fig. 53-1

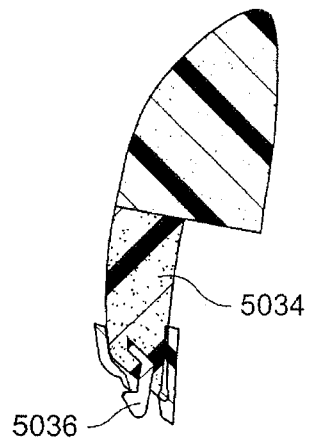


Fig. 53-2

60/72

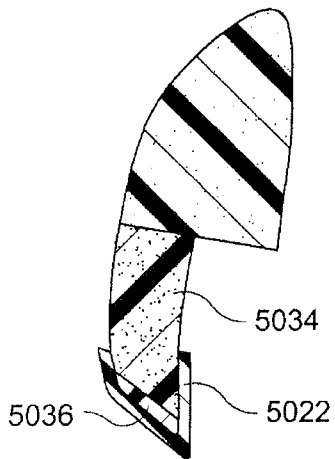


Fig. 54-1

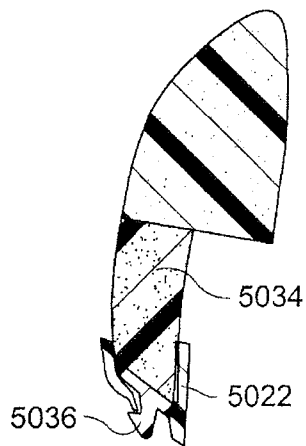


Fig. 54-2

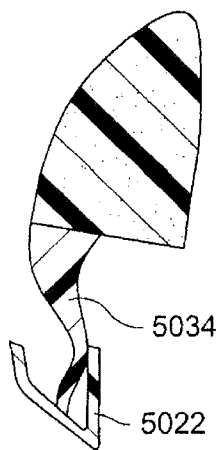


Fig. 55-1

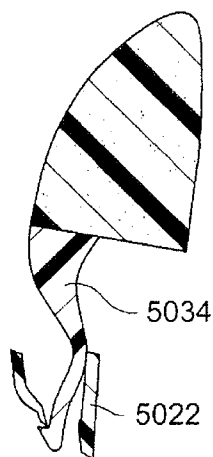


Fig. 55-2

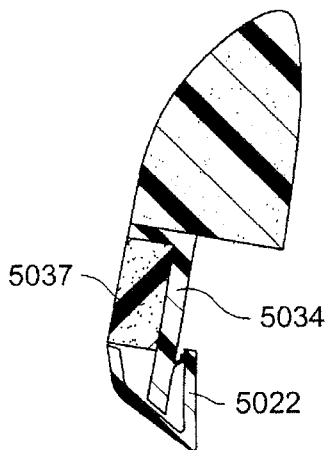


Fig. 56-1

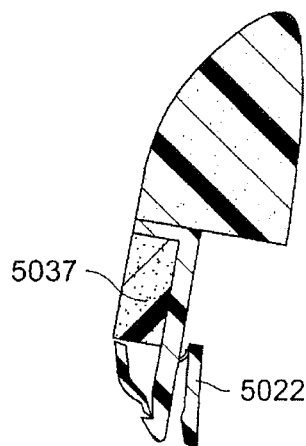


Fig. 56-2

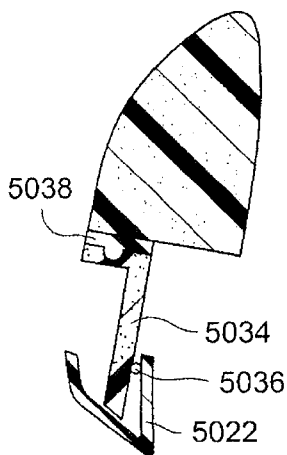


Fig. 57-1

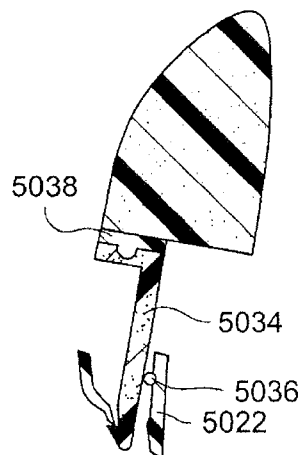


Fig. 57-2

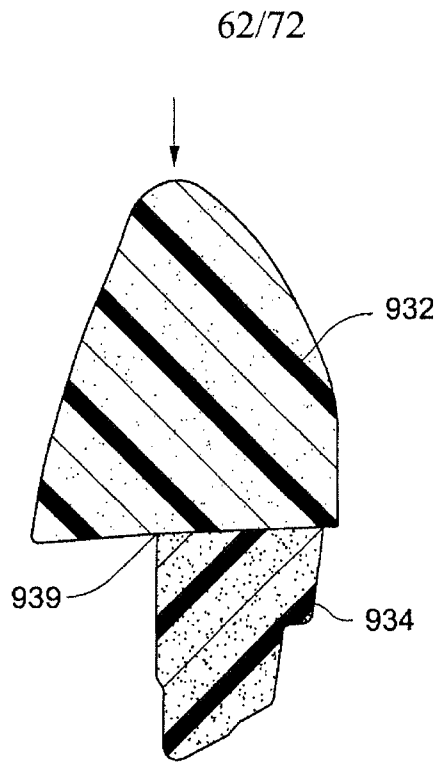


Fig. 58

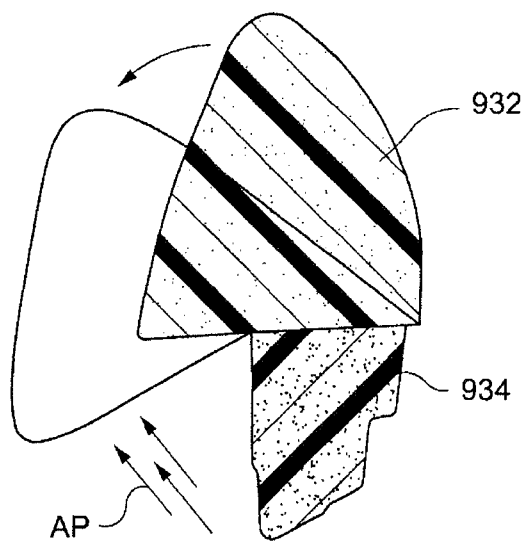


Fig. 59

63/72

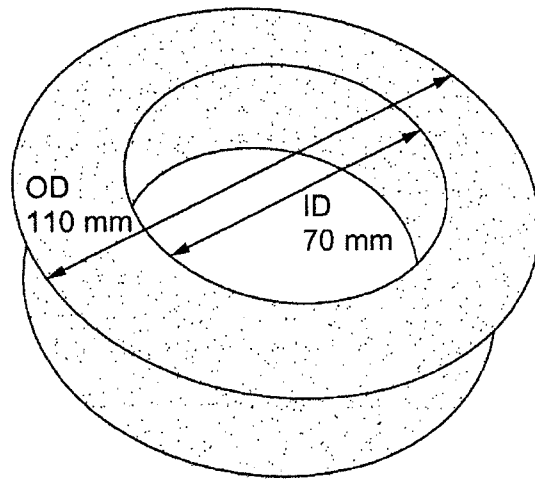


Fig. 60-1

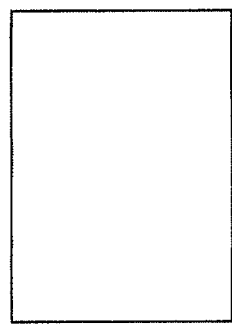


Fig. 60-2

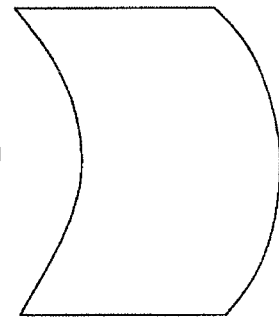


Fig. 60-3

64/72

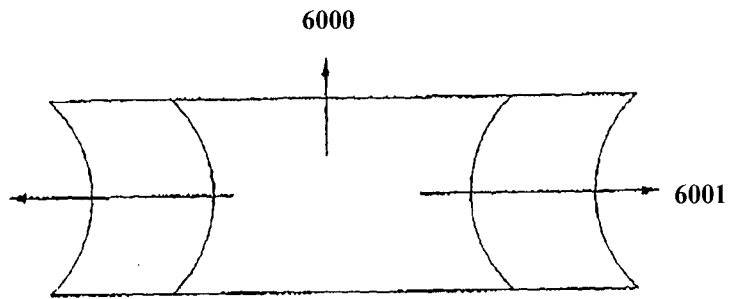


Fig. 60-4

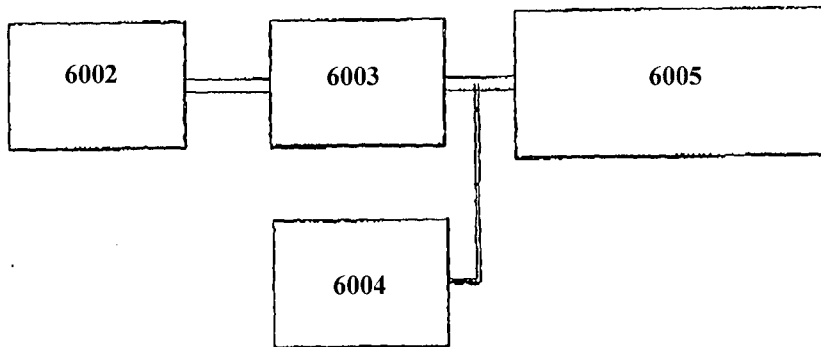


Fig. 60-5

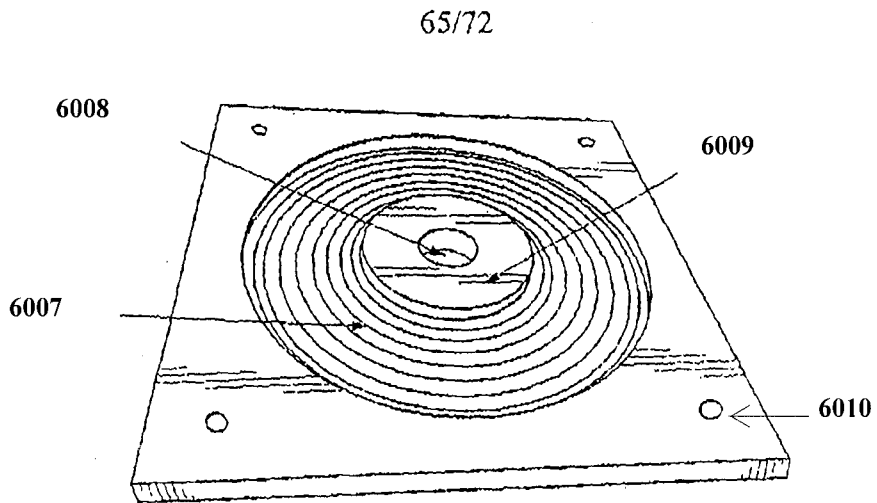


Fig. 60-6

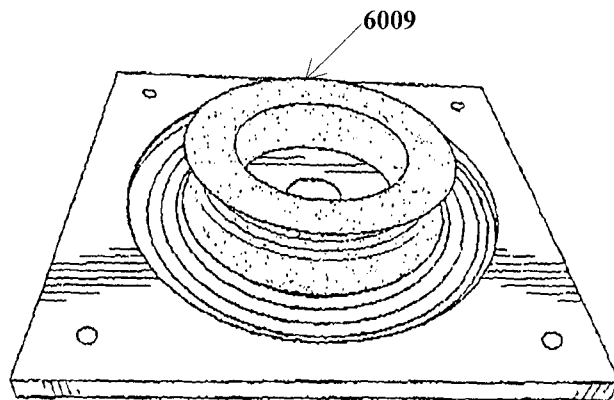


Fig. 60-7

66/72

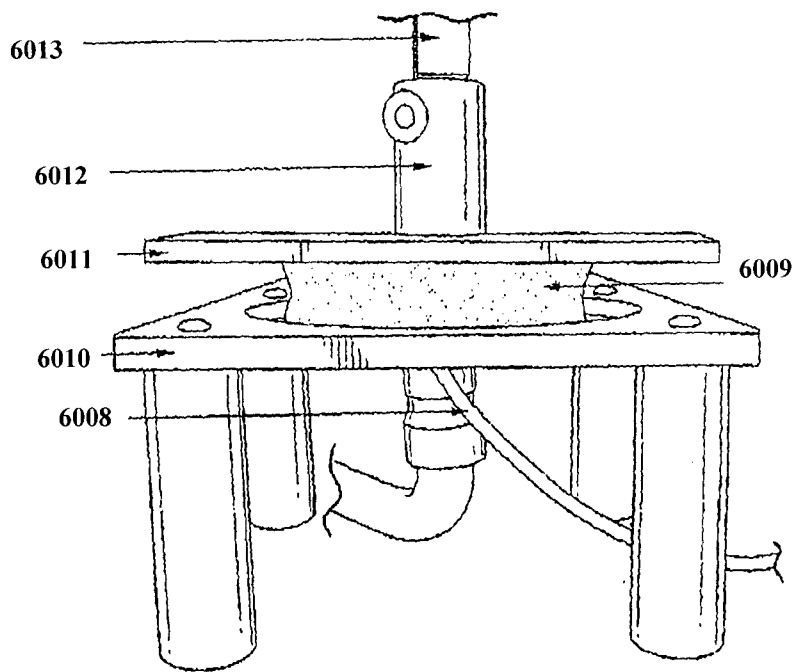


Fig. 60-8

67/72

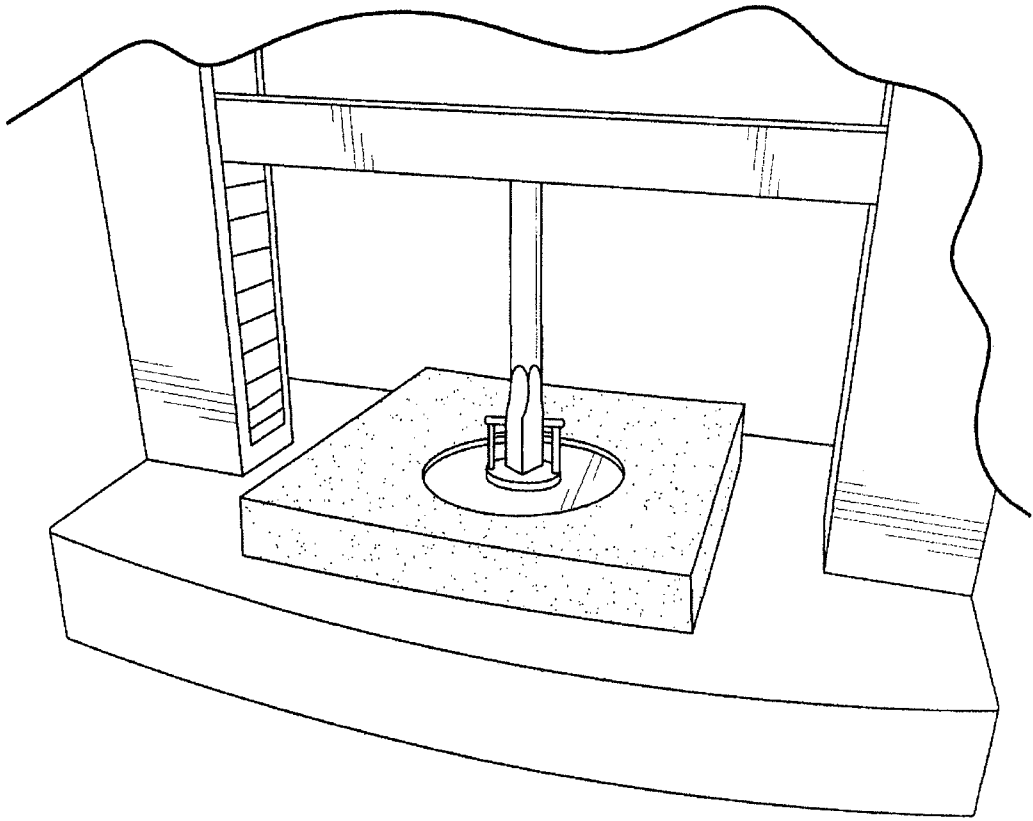


Fig. 61

68/72

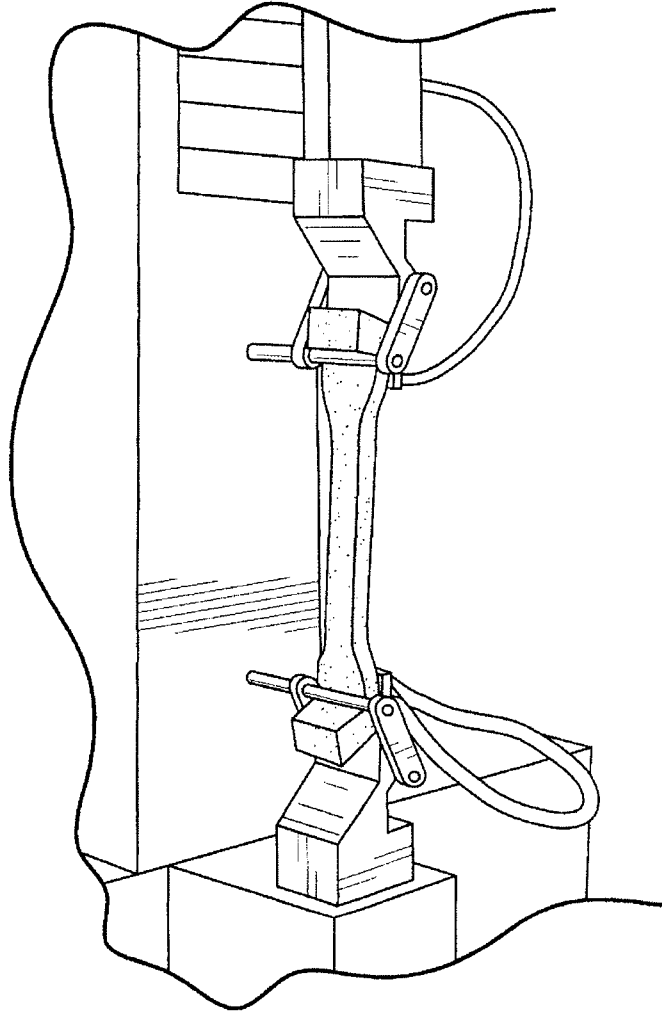


Fig. 62-1

69/72

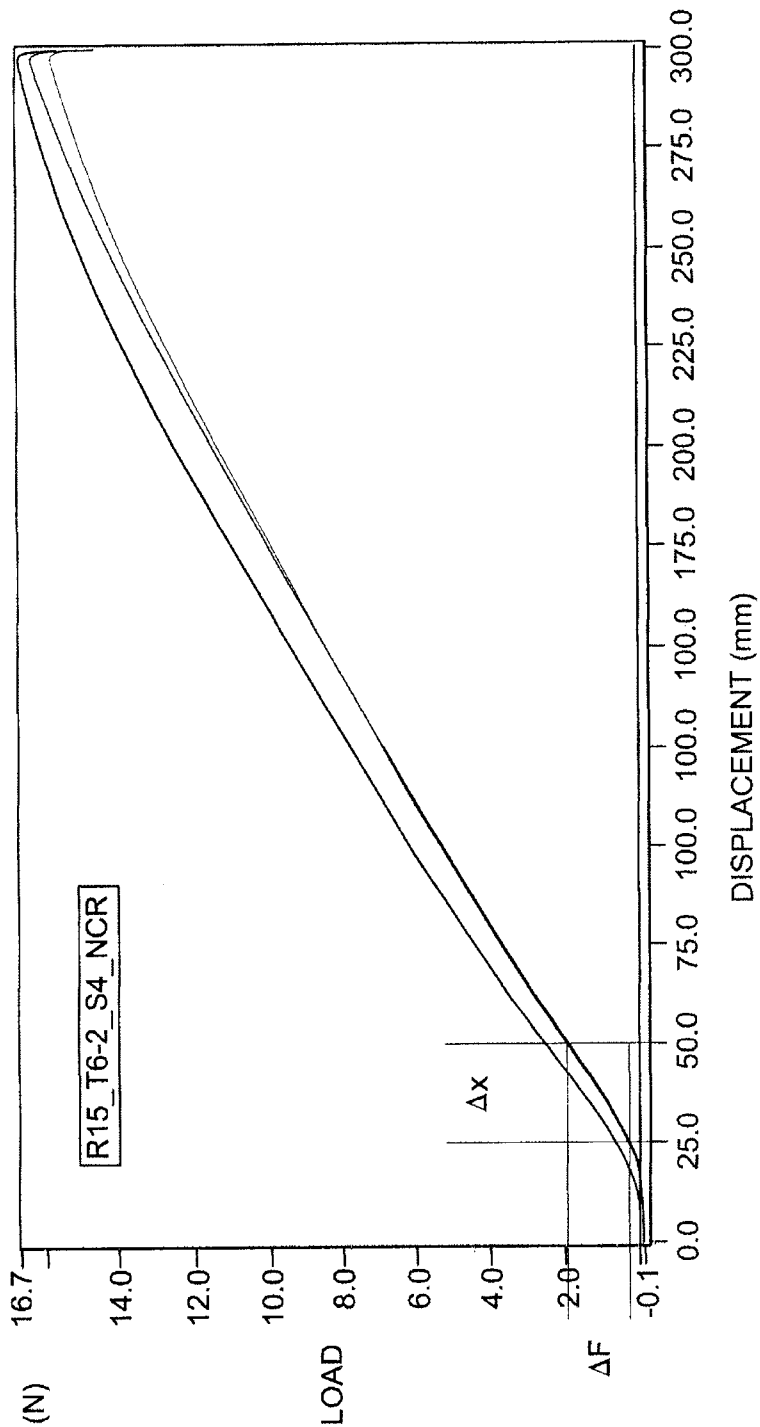


Fig. 62-2

70/72

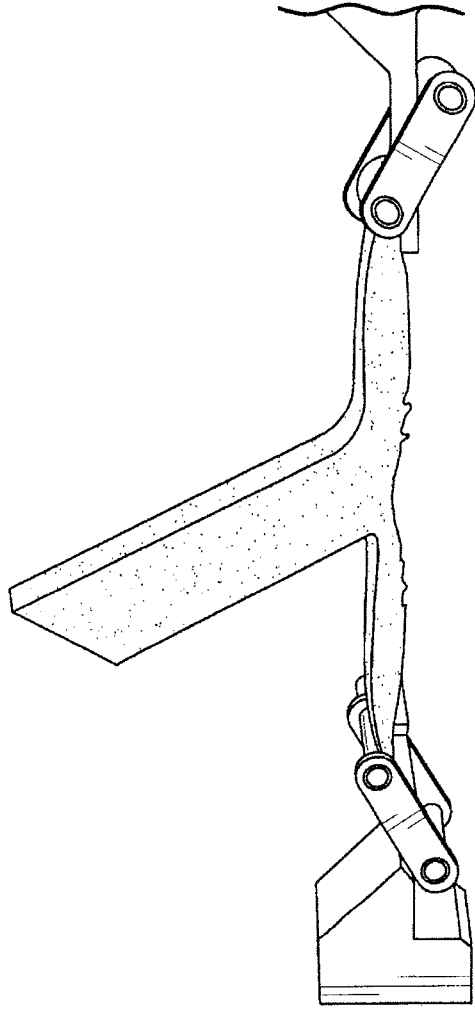


Fig. 63-1

71/72

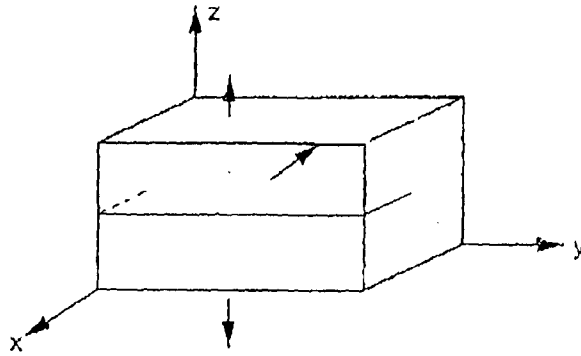


Fig. 63-2

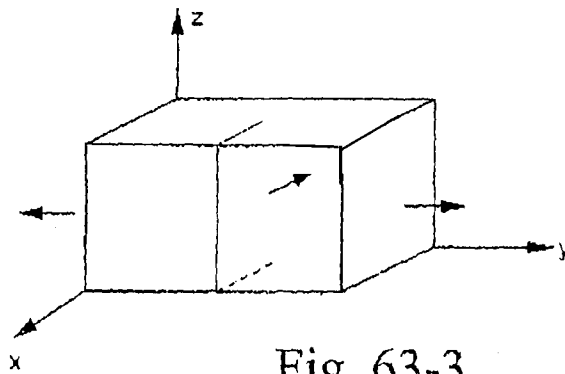


Fig. 63-3

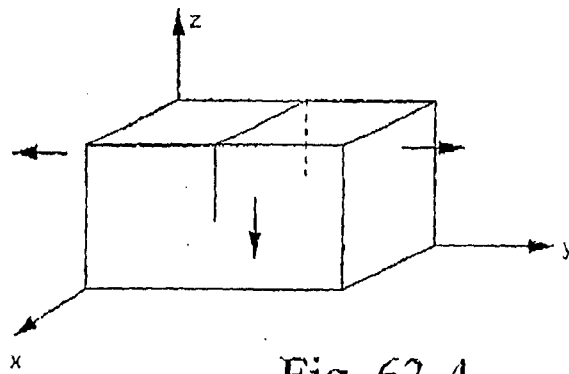


Fig. 63-4

72/72

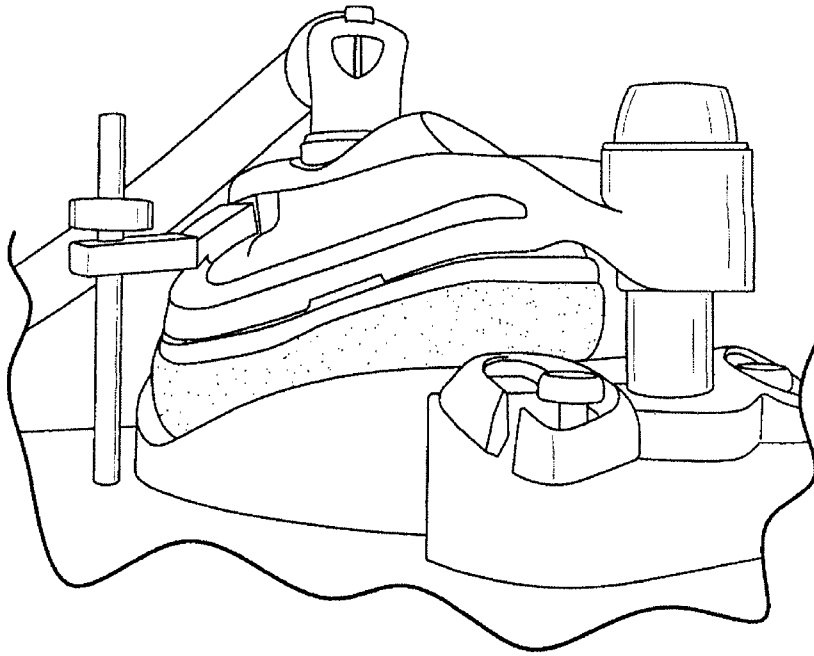


Fig. 64

