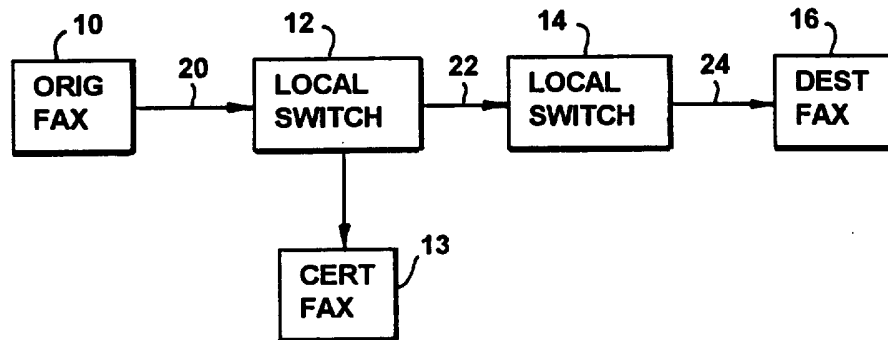




INTERNATIONAL APPLICATION PUBLISHED UNDER THE PATENT COOPERATION TREATY (PCT)

<p>(51) International Patent Classification <sup>6</sup> : <b>H04N 1/32</b></p>	<p><b>A3</b></p>	<p>(11) International Publication Number: <b>WO 96/10314</b> (43) International Publication Date: 4 April 1996 (04.04.96)</p>
<p>(21) International Application Number: PCT/US95/10569 (22) International Filing Date: 21 August 1995 (21.08.95) (30) Priority Data: 08/310,737 22 September 1994 (22.09.94) US 08/368,350 4 January 1995 (04.01.95) US  (71)(72) Applicant and Inventor: CAIRO, Jerry [US/US]; Apartment 2C, 6007 North Sheridan Road, Chicago, IL 60660 (US). (74) Agent: KATZ, A., Sidney; Welsh &amp; Katz, Ltd., 22nd floor, 120 South Riverside Plaza, Chicago, IL 60606 (US).</p>	<p>(81) Designated States: AM, AT, AU, BB, BG, BR, BY, CA, CH, CN, CZ, DE, DK, EE, ES, FI, GB, GE, HU, JP, KE, KG, KP, KR, KZ, LK, LR, LT, LU, LV, MD, MG, MN, MW, MX, NO, NZ, PL, PT, RO, RU, SD, SE, SI, SK, TJ, TT, UA, UZ, VN, European patent (AT, BE, CH, DE, DK, ES, FR, GB, GR, IE, IT, LU, MC, NL, PT, SE), OAPI patent (BF, BJ, CF, CG, CI, CM, GA, GN, ML, MR, NE, SN, TD, TG), ARIPO patent (KE, MW, SD, SZ, UG).  <b>Published</b> <i>With international search report.</i>  (88) Date of publication of the international search report: 20 June 1996 (20.06.96)</p>	

(54) Title: METHOD OF CERTIFYING AN INFORMATION CONTENT OF A TELEPHONIC EXCHANGE



(57) Abstract

A method and apparatus is offered for certifying delivery of a facsimile transmission. The method includes the steps of detecting a facsimile transmission from an originating facsimile machine (10) to a destination facsimile machine (16). The method further includes the steps of receiving acknowledgement from the destination facsimile machine that a page from the facsimile transmission was received and certifying delivery of the page by outputting a copy of the page with indicia of delivery printed thereon.

**FOR THE PURPOSES OF INFORMATION ONLY**

Codes used to identify States party to the PCT on the front pages of pamphlets publishing international applications under the PCT.

AT	Austria	GB	United Kingdom	MR	Mauritania
AU	Australia	GE	Georgia	MW	Malawi
BB	Barbados	GN	Guinea	NE	Niger
BE	Belgium	GR	Greece	NL	Netherlands
BF	Burkina Faso	HU	Hungary	NO	Norway
BG	Bulgaria	IE	Ireland	NZ	New Zealand
BJ	Benin	IT	Italy	PL	Poland
BR	Brazil	JP	Japan	PT	Portugal
BY	Belarus	KE	Kenya	RO	Romania
CA	Canada	KG	Kyrgystan	RU	Russian Federation
CF	Central African Republic	KP	Democratic People's Republic of Korea	SD	Sudan
CG	Congo	KR	Republic of Korea	SE	Sweden
CH	Switzerland	KZ	Kazakhstan	SI	Slovenia
CI	Côte d'Ivoire	LI	Liechtenstein	SK	Slovakia
CM	Cameroon	LU	Luxembourg	SN	Senegal
CN	China	LK	Sri Lanka	TD	Chad
CS	Czechoslovakia	LV	Larvia	TG	Togo
CZ	Czech Republic	MC	Monaco	TJ	Tajikistan
DE	Germany	MD	Republic of Moldova	TT	Trinidad and Tobago
DK	Denmark	MG	Madagascar	UA	Ukraine
ES	Spain	ML	Mali	US	United States of America
FI	Finland	MN	Mongolia	UZ	Uzbekistan
FR	France			VN	Viet Nam
GA	Gabon				

INTERNATIONAL SEARCH REPORT

International application No.  
PCT/US95/10569

A. CLASSIFICATION OF SUBJECT MATTER

IPC(6) :H04N 1/32  
US CL :358/434

According to International Patent Classification (IPC) or to both national classification and IPC

B. FIELDS SEARCHED

Minimum documentation searched (classification system followed by classification symbols)

U.S. : 358/434, 435, 436, 437, 438, 439, 440, 442, 468, 400, 401, 402, 403, 404; 379/100, 93, 96, 97, 98, 201, 213, 214; 370/61

Documentation searched other than minimum documentation to the extent that such documents are included in the fields searched

Electronic data base consulted during the international search (name of data base and, where practicable, search terms used)

APS

C. DOCUMENTS CONSIDERED TO BE RELEVANT

Category*	Citation of document, with indication, where appropriate, of the relevant passages	Relevant to claim No.
X,P	US, A, 5,377,017 (LAM) 27 December 1994, col. 8, line 61- col. 11, line 30.	1-18
X	JP, A, 2-244933 (NAGATA) 28 September 1990, figures 1-5.	37, 38
Y		19-36
X	US, A, 4,642,697 (WADA) 10 February 1987, col. 3, line 64-col. 8, line 2.	37, 38
Y		19-36
X	US, A, 5,303,296 (ZUCKER) 12 April 1994, col. 1, lines 14-32, col. 2, lines 9-41.	37, 38
Y		19-36
X,P	US, A, 5,404,231 (BLOOMFIELD) 04 April 1995, Abstract, col. 16, lines 38-61.	37, 38

Further documents are listed in the continuation of Box C.  See patent family annex.

* Special categories of cited documents:	*T* later document published after the international filing date or priority date and not in conflict with the application but cited to understand the principle or theory underlying the invention
*A* document defining the general state of the art which is not considered to be part of particular relevance	*X* document of particular relevance; the claimed invention cannot be considered novel or cannot be considered to involve an inventive step when the document is taken alone
*E* earlier document published on or after the international filing date	*Y* document of particular relevance; the claimed invention cannot be considered to involve an inventive step when the document is combined with one or more other such documents, such combination being obvious to a person skilled in the art
*L* document which may throw doubts on priority claim(s) or which is cited to establish the publication date of another citation or other special reason (as specified)	*&* document member of the same patent family
*O* document referring to an oral disclosure, use, exhibition or other means	
*P* document published prior to the international filing date but later than the priority date claimed	

Date of the actual completion of the international search

21 MARCH 1996

Date of mailing of the international search report

02 APR 1996

Name and mailing address of the ISA/US  
Commissioner of Patents and Trademarks  
Box PCT  
Washington, D.C. 20231

Facsimile No. (703) 305-3230

Authorized officer

THOMAS D. LEE

Telephone No. (703)305-4870

## INTERNATIONAL SEARCH REPORT

International application No.  
PCT/US95/10569

## C (Continuation). DOCUMENTS CONSIDERED TO BE RELEVANT

Category*	Citation of document, with indication, where appropriate, of the relevant passages	Relevant to claim No.
Y	JP, A, 58-184866 (SAKAGUCHI) 28 October 1983, Constitution.	19-36
A	US, A, 4,748,662 (HIRATA) 31 May 1988, figure 8.	19-38
Y	US, A, 5,038,226 (NAGAISHI) 06 August 1991, figures 2, 24, 32.	19-38
A,E	US, A, 5,459,584 (GORDON et al) 17 October 1995, Abstract.	19-38