

(19) World Intellectual Property Organization  
International Bureau



(43) International Publication Date  
17 June 2010 (17.06.2010)

PCT

(10) International Publication Number  
**WO 2010/068281 A3**

- (51) **International Patent Classification:**  
A61K 9/00 (2006.01) A61F 9/00 (2006.01)  
A61K 31/496 (2006.01)
- (21) **International Application Number:**  
PCT/US2009/006507
- (22) **International Filing Date:**  
11 December 2009 (11.12.2009)
- (25) **Filing Language:** English
- (26) **Publication Language:** English
- (30) **Priority Data:**  
61/121,806 11 December 2008 (11.12.2008) US
- (71) **Applicants (for all designated States except US):** MASSACHUSETTS INSTITUTE OF TECHNOLOGY [US/US]; 77 Massachusetts Avenue, Cambridge, MA 02139 (US). CHILDREN'S MEDICAL CENTER CORPORATION [US/US]; 300 Longwood Avenue, Boston, MA 02115 (US). MASSACHUSETTS EYE AND EAR INFIRMARY [US/US]; 243 Charles Street, Boston, MA 02114 (US).
- (72) **Inventors; and**
- (75) **Inventors/Applicants (for US only):** CIOLINO, Joseph, B. [US/US]; 8 Lindall Place, Apt. #5, Boston, MA 02114 (US). HOARE, Todd, R. [CA/US]; 812 Memorial Drive, Apt. 1607, Cambridge, MA 02139 (US). KOHANE, Daniel, S. [US/US]; 41 Leslie Road, Newton, MA 02466 (US).
- (74) **Agent:** OYER, Timothy, J.; Wolf, Greenfield & Sacks, P.C., Federal Reserve Plaza, 600 Atlantic Avenue, Boston, MA 02210-2206 (US).

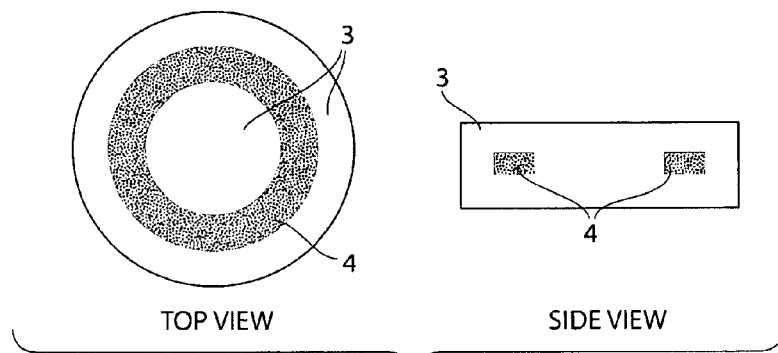
- (81) **Designated States (unless otherwise indicated, for every kind of national protection available):** AE, AG, AL, AM, AO, AT, AU, AZ, BA, BB, BG, BH, BR, BW, BY, BZ, CA, CH, CL, CN, CO, CR, CU, CZ, DE, DK, DM, DO, DZ, EC, EE, EG, ES, FI, GB, GD, GE, GH, GM, GT, HN, HR, HU, ID, IL, IN, IS, JP, KE, KG, KM, KN, KP, KR, KZ, LA, LC, LK, LR, LS, LT, LU, LY, MA, MD, ME, MG, MK, MN, MW, MX, MY, MZ, NA, NG, NI, NO, NZ, OM, PE, PG, PH, PL, PT, RO, RS, RU, SC, SD, SE, SG, SK, SL, SM, ST, SV, SY, TJ, TM, TN, TR, TT, TZ, UA, UG, US, UZ, VC, VN, ZA, ZM, ZW.
- (84) **Designated States (unless otherwise indicated, for every kind of regional protection available):** ARIPO (BW, GH, GM, KE, LS, MW, MZ, NA, SD, SL, SZ, TZ, UG, ZM, ZW), Eurasian (AM, AZ, BY, KG, KZ, MD, RU, TJ, TM), European (AT, BE, BG, CH, CY, CZ, DE, DK, EE, ES, FI, FR, GB, GR, HR, HU, IE, IS, IT, LT, LU, LV, MC, MK, MT, NL, NO, PL, PT, RO, SE, SI, SK, SM, TR), OAPI (BF, BJ, CF, CG, CI, CM, GA, GN, GQ, GW, ML, MR, NE, SN, TD, TG).

**Published:**

- with international search report (Art. 21(3))
- before the expiration of the time limit for amending the claims and to be republished in the event of receipt of amendments (Rule 48.2(h))

(88) **Date of publication of the international search report:**  
10 March 2011

(54) **Title:** CONTACT LENS DRUG DELIVERY DEVICE



**Fig. 2A**

(57) **Abstract:** The present invention relates generally to devices and methods for administering one or more active agents to the eye of a human or animal patient in need thereof, and more particularly to devices for application to the cornea which release active agent to the eye in a controlled manner.

WO 2010/068281 A3

**INTERNATIONAL SEARCH REPORT**

International application No  
PCT/US2009/006507

**A. CLASSIFICATION OF SUBJECT MATTER**  
 INV. A61K9/00      A61K31/496      A61F9/00  
 ADD.

According to International Patent Classification (IPC) or to both national classification and IPC

**B. FIELDS SEARCHED**

Minimum documentation searched (classification system followed by classification symbols)  
 A61K · A61F G02C

Documentation searched other than minimum documentation to the extent that such documents are included in the fields searched

Electronic data base consulted during the international search (name of data base and, where practical, search terms used)  
 EPO-Internal, BIOSIS, CHEM ABS Data, EMBASE, WPI Data

**C. DOCUMENTS CONSIDERED TO BE RELEVANT**

Category*	Citation of document, with indication, where appropriate, of the relevant passages	Relevant to claim No.
X	US 2004/241207 A1 (CHAUHAN ANUJ [US] ET AL) 2 December 2004 (2004-12-02)  paragraph [0010] - paragraph [0016] paragraph [0008] - paragraph [0009] paragraph [0067] - paragraph [0074]	1-30, 34-62, 64-66, 69-76, 79,80, 87,92
X	US 2008/107713 A1 (ORILLA WERHNER C [US] ET AL) 8 May 2008 (2008-05-08)  paragraphs [0001], [0005], [0007] - [0010], [0019], [0020], [0024], [0028], [0029]; figures 1-4  ----- -/--	1-68, 73-76, 81-86, 88-92

Further documents are listed in the continuation of Box C.       See patent family annex.

\* Special categories of cited documents :

*A* document defining the general state of the art which is not considered to be of particular relevance	*T* later document published after the international filing date or priority date and not in conflict with the application but cited to understand the principle or theory underlying the invention
*E* earlier document but published on or after the international filing date	*X* document of particular relevance; the claimed invention cannot be considered novel or cannot be considered to involve an inventive step when the document is taken alone
*L* document which may throw doubts on priority claim(s) or which is cited to establish the publication date of another citation or other special reason (as specified)	*Y* document of particular relevance; the claimed invention cannot be considered to involve an inventive step when the document is combined with one or more other such documents, such combination being obvious to a person skilled in the art.
*O* document referring to an oral disclosure, use, exhibition or other means	*Z* document member of the same patent family
*P* document published prior to the international filing date but later than the priority date claimed	

Date of the actual completion of the international search  10 January 2011	Date of mailing of the international search report  24/01/2011
--	--

Name and mailing address of the ISA/ European Patent Office, P.B. 5818 Patentlaan 2 NL - 2280 HV Rijswijk Tel. (+31-70) 340-2040, Fax: (+31-70) 340-3016	Authorized officer  Marttin, Emmeline
--	---

## INTERNATIONAL SEARCH REPORT

International application No

PCT/US2009/006507

C(Continuation). DOCUMENTS CONSIDERED TO BE RELEVANT		
Category*	Citation of document, with indication, where appropriate, of the relevant passages	Relevant to claim No.
X	<p>DE 23 08 144 A1 (BATTELLE INSTITUT E V) 22 August 1974 (1974-08-22)</p> <p>page 1, line 1 - page 2, line 3; figures 1-3 page 2, lines 10-11, 22 page 3, line 1 - page 4, line 22; claims</p>	31-33, 49-57, 63-65
X	<p>KARLGARD C C S ET AL: "In vitro uptake and release studies of ocular pharmaceutical agents by silicon-containing and p-HEMA hydrogel contact lens materials", INTERNATIONAL JOURNAL OF PHARMACEUTICS, ELSEVIER BV, NL, vol. 257, no. 1-2, 12 May 2003 (2003-05-12), pages 141-151, XP002461195, ISSN: 0378-5173, DOI: DOI:10.1016/S0378-5173(03)00124-8 page 150, paragraph 4</p>	34-37
X	<p>US 2005/025810 A1 (PEYMAN GHOLAM [US]) 3 February 2005 (2005-02-03) paragraph [0019]</p>	77,78
T	<p>ALI ET AL: "Zero-order therapeutic release from imprinted hydrogel contact lenses within in vitro physiological ocular tear flow", JOURNAL OF CONTROLLED RELEASE, ELSEVIER, AMSTERDAM, NL, vol. 124, no. 3, 16 November 2007 (2007-11-16), pages 154-162, XP022347964, ISSN: 0168-3659, DOI: DOI:10.1016/J.JCONREL.2007.09.006 paragraphs [01.2] - [01.3], [ 2.3], [ 2.5], [00 3], [00 4]</p>	1-92
X,P	<p>CIOLINO JOSEPH B ET AL: "A drug-eluting contact lens", INVESTIGATIVE OPHTHALMOLOGY &amp; VISUAL SCIENCE JUL 2009 LNKD- PUBMED:19136709, vol. 50, no. 7, July 2009 (2009-07), pages 3346-3352, XP002615866, ISSN: 1552-5783 the whole document</p>	1,2,5, 7-19, 25-56, 59-76, 79-89,92

# INTERNATIONAL SEARCH REPORT

Information on patent family members

International application No

PCT/US2009/006507

Patent document cited in search report	Publication date	Patent family member(s)	Publication date
US 2004241207 A1	02-12-2004	US 2004096477 A1	20-05-2004
US 2008107713 A1	08-05-2008	NONE	
DE 2308144 A1	22-08-1974	NONE	
US 2005025810 A1	03-02-2005	AU 2004261187 A1	10-02-2005
		CA 2534214 A1	10-02-2005
		EP 1675652 A2	05-07-2006
		JP 2007518690 T	12-07-2007
		US 2006263409 A1	23-11-2006
		WO 2005011813 A2	10-02-2005