



US00D749679S

(12) **United States Design Patent**
Bala et al.

(10) **Patent No.:** **US D749,679 S**

(45) **Date of Patent:** **** Feb. 16, 2016**

(54) **TABLET PORTAL**

(71) Applicants: **Karthik Bala**, Menands, NY (US); **Kern Corrigan**, Santa Clara, CA (US); **Lee Guinchar**, Santa Clara, CA (US); **Jin Han**, Santa Monica, CA (US); **Brent Gibson**, Menands, NY (US)

(72) Inventors: **Karthik Bala**, Menands, NY (US); **Kern Corrigan**, Santa Clara, CA (US); **Lee Guinchar**, Santa Clara, CA (US); **Jin Han**, Santa Monica, CA (US); **Brent Gibson**, Menands, NY (US)

(73) Assignee: **Activision Publishing, Inc.**, Santa Monica, CA (US)

(**) Term: **14 Years**

(21) Appl. No.: **29/500,401**

(22) Filed: **Aug. 25, 2014**

(51) **LOC (10) Cl.** **21-01**

(52) **U.S. Cl.**
USPC **D21/333; D21/328; D14/496**

(58) **Field of Classification Search**
USPC D14/496, 401, 435, 474, 483, 217, 137, D14/138, 160, 168, 356, 203.1–203.8, 507; 345/156, 169, 173–179, 905; 715/727–729, 864, 700, 706, 719; 710/1, 5, 8; 713/1, 600; 455/1.1, 1.7, 455/73, 344–347, 93, 95, 3.01–3.06, 550.1, 455/573.1; 370/342–344; 369/1, 2, 6–12; 463/51–57, 40–47, 1, 29–35; D21/324, D21/328, 333; 273/148 B
CPC A63F 13/00; A63F 13/02; A63F 9/00; G06F 17/00; G06F 19/00

See application file for complete search history.

(56) **References Cited**

U.S. PATENT DOCUMENTS

4,031,655 A * 6/1977 Ponciano et al. 446/47
6,652,383 B1 * 11/2003 Sonoda et al. 463/43

(Continued)

Primary Examiner — Prabhakar Deshmukh

(74) *Attorney, Agent, or Firm* — Klein, O’Neill & Singh, LLP

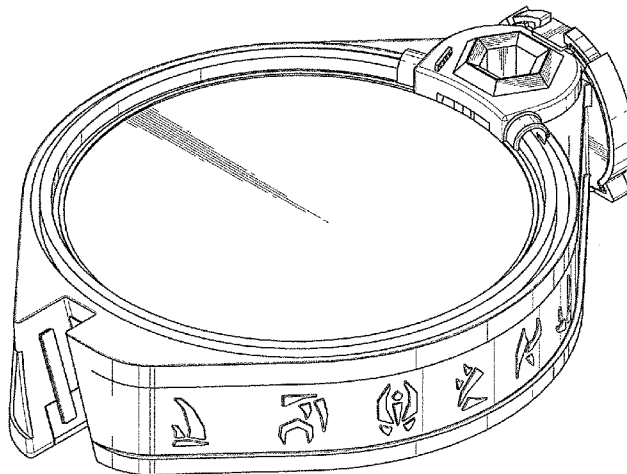
CLAIM

(57) The ornamental design for a tablet portal, as shown and described.

DESCRIPTION

FIG. 1 is a perspective view of a first embodiment of a tablet portal embodying our new design; FIG. 2 is a rear side view of the tablet portal of FIG. 1; FIG. 3 is a top view of the tablet portal of FIG. 1; FIG. 4 is a right side view of the tablet portal of FIG. 1; FIG. 5 is a left side view of the tablet portal of FIG. 1; FIG. 6 is a front view of the tablet portal of FIG. 1; FIG. 7 is a bottom view of the tablet portal of FIG. 1; FIG. 8 is a further perspective view of the tablet portal of FIG. 1; FIG. 9 is a perspective view of a second embodiment of a tablet portal embodying our new design; FIG. 10 is a rear side view of the tablet portal of FIG. 9; FIG. 11 is a top view of the tablet portal of FIG. 9; FIG. 12 is a right side view of the tablet portal of FIG. 9; FIG. 13 is a left side view of the tablet portal of FIG. 9; FIG. 14 is a front view of the tablet portal of FIG. 9; FIG. 15 is a bottom view of the tablet portal of FIG. 9; and, FIG. 16 is a further perspective view of the tablet portal of FIG. 9.
The broken lines indicate unclaimed portions and form no part of the claimed design.

1 Claim, 12 Drawing Sheets



(56)

References Cited

U.S. PATENT DOCUMENTS

6,995,325 B2 *	2/2006	Sakou	200/5 R	D603,457 S *	11/2009	Julskjer et al.	D21/324
D522,587 S *	6/2006	Yokoi	D21/324	D606,593 S *	12/2009	Wilm	D21/324
D527,053 S *	8/2006	Watanabe	D21/324	D646,725 S *	10/2011	Utsumi et al.	D21/328
D601,564 S *	10/2009	Maeno	D14/400	8,188,842 B2 *	5/2012	Otsuka et al.	340/12.22
					D662,949 S *	7/2012	Otero et al.	D14/496
					D713,466 S *	9/2014	Otero et al.	D21/324
					D713,467 S *	9/2014	Sawhney et al.	D21/333

* cited by examiner

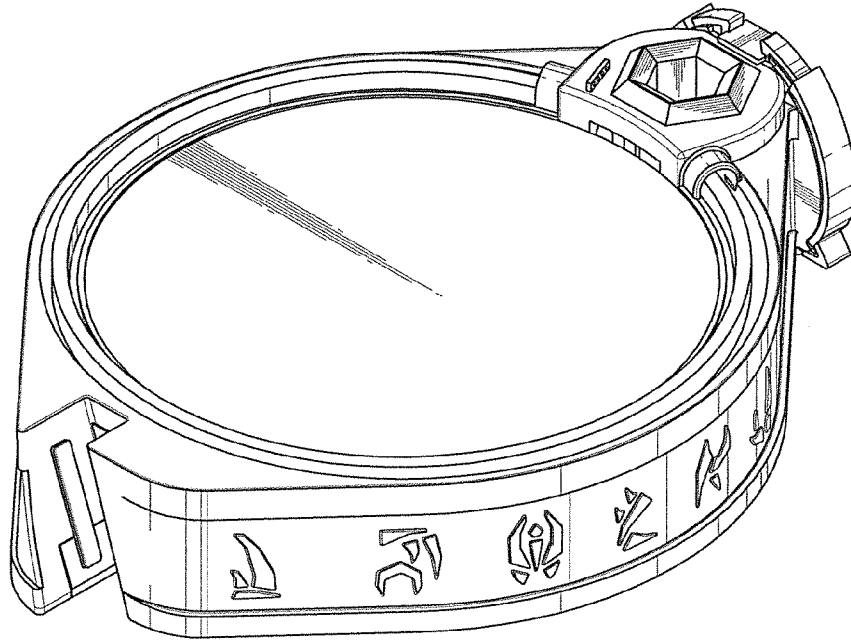


FIG. 1

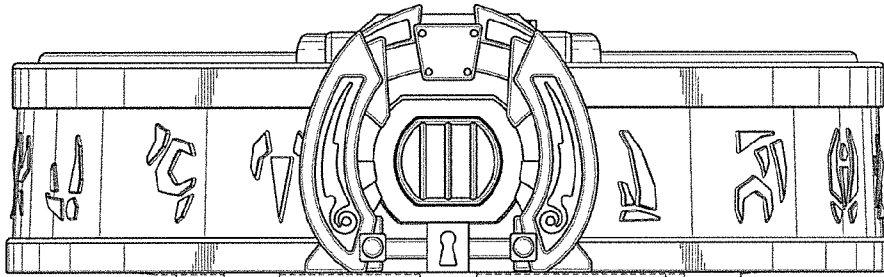


FIG. 2

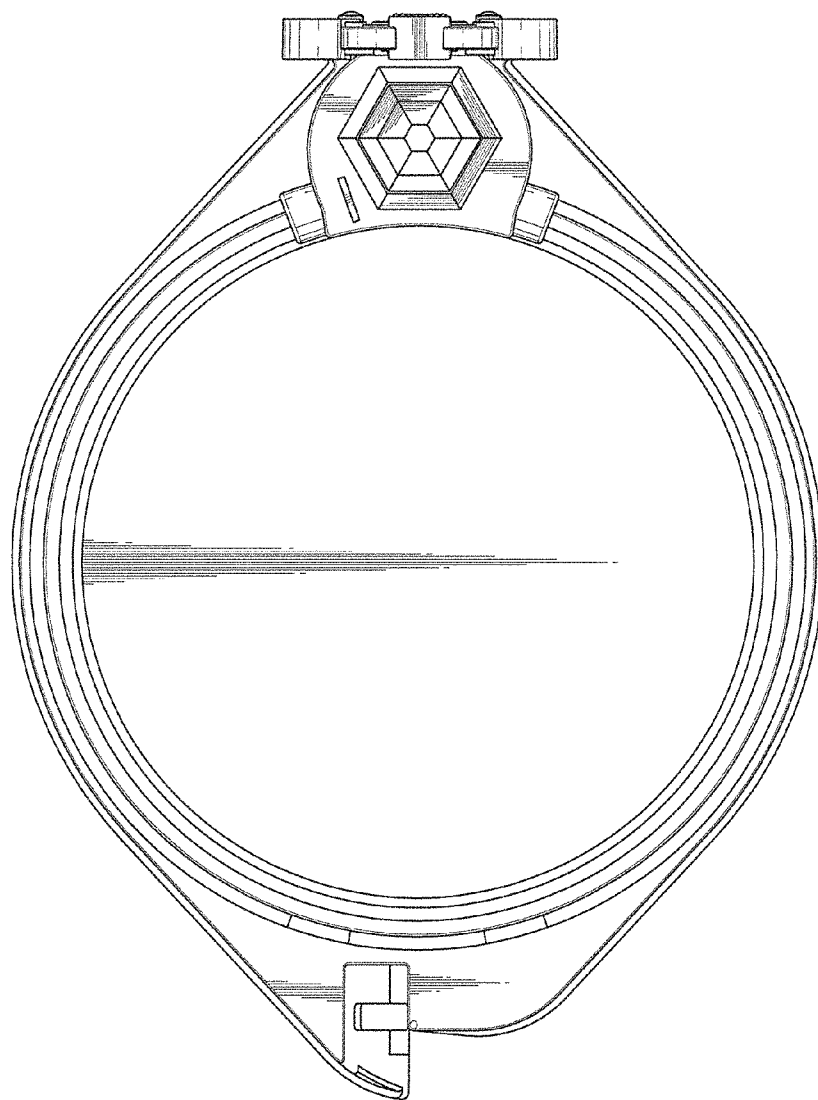


FIG. 3

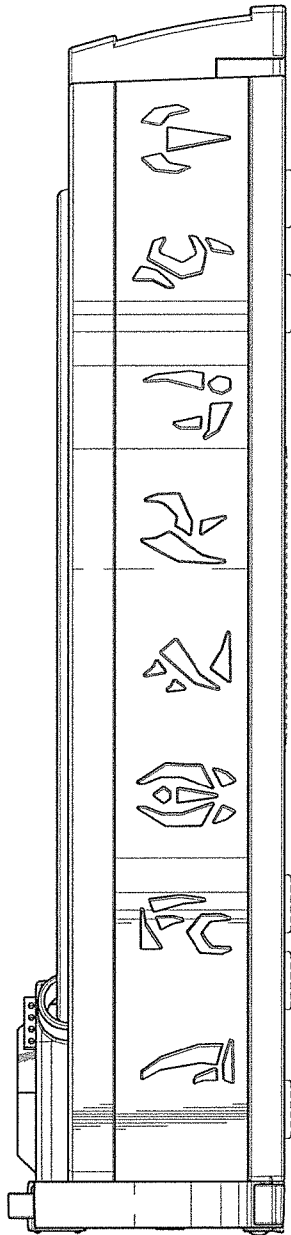


FIG. 4

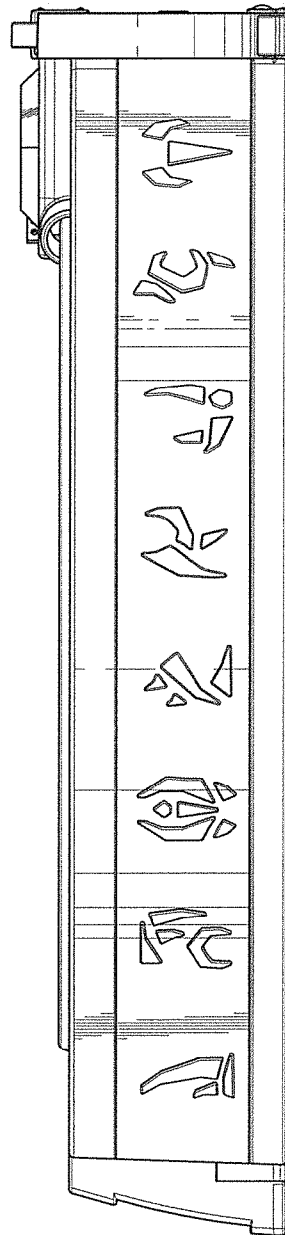


FIG. 5

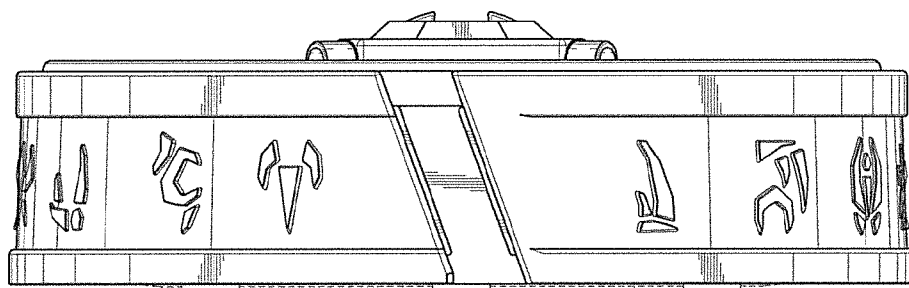


FIG. 6

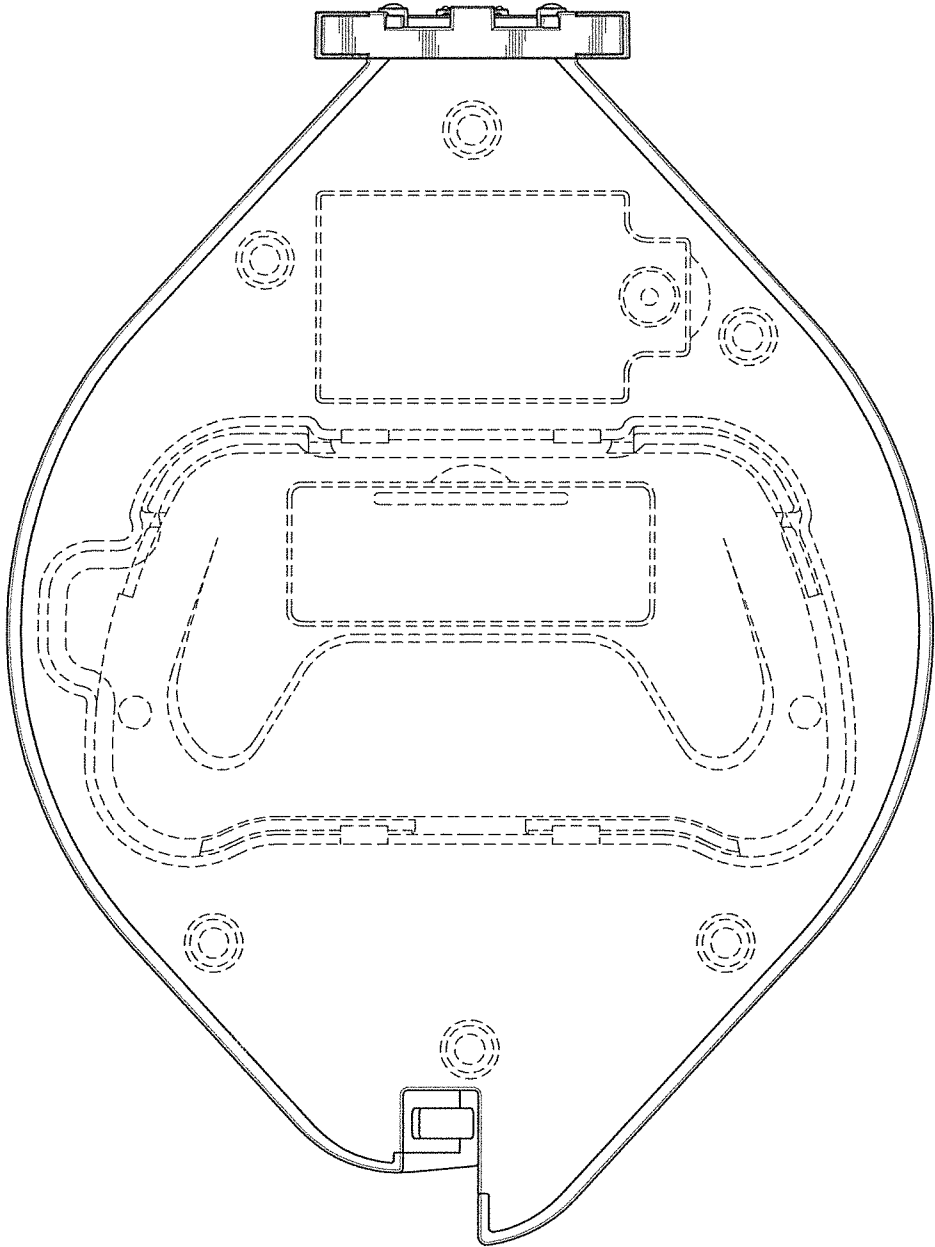


FIG. 7

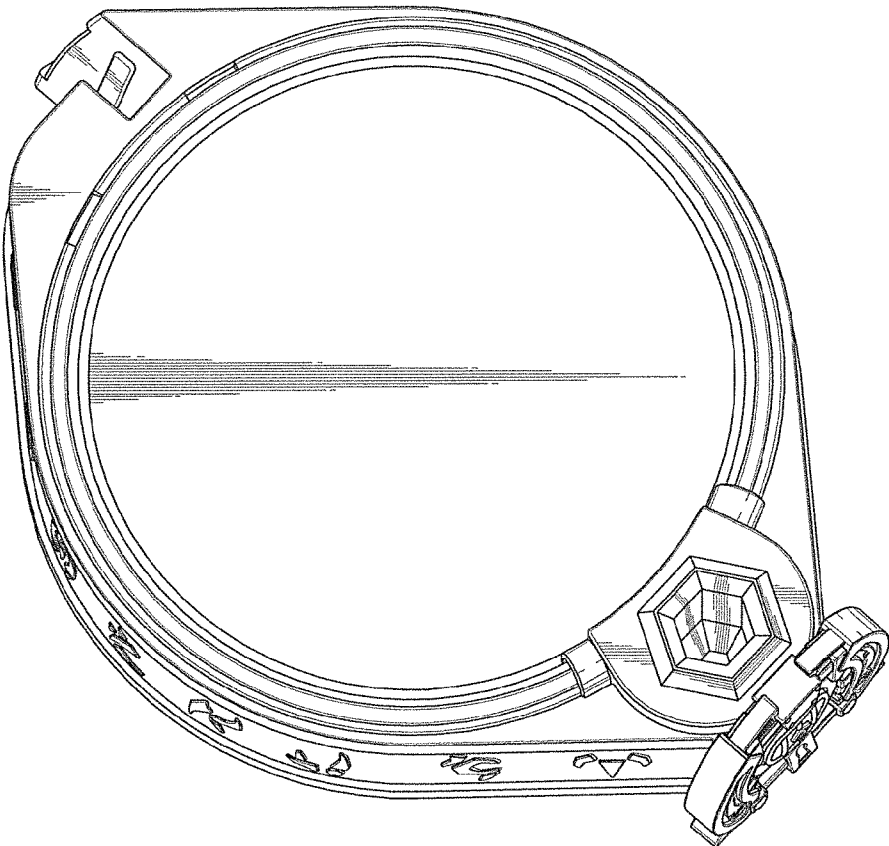


FIG. 8

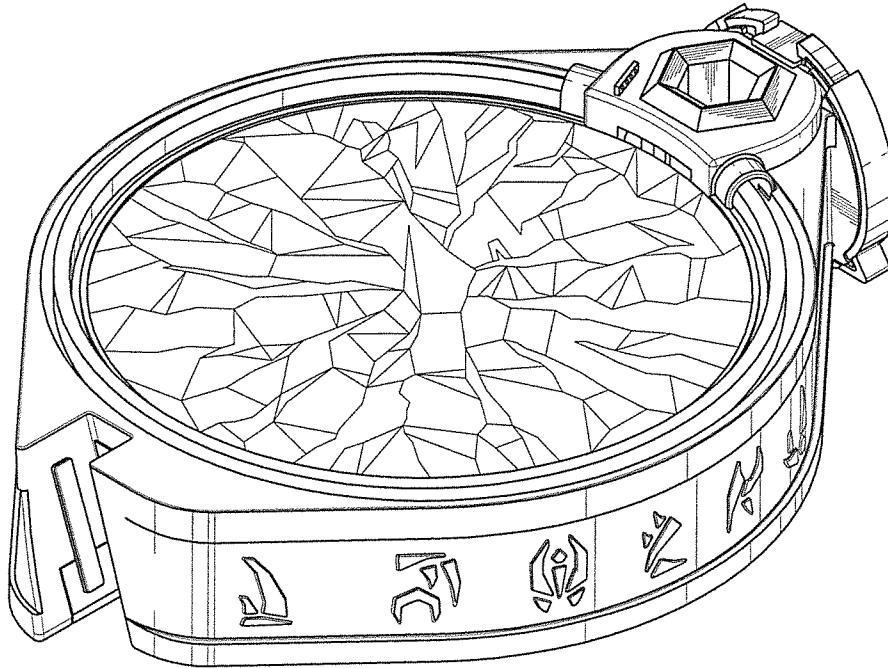


FIG. 9

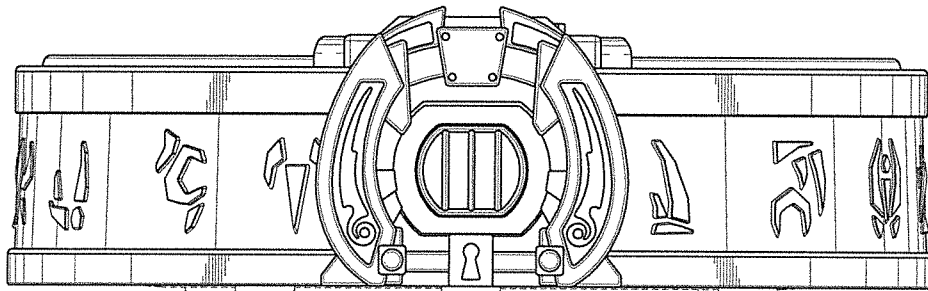


FIG. 10

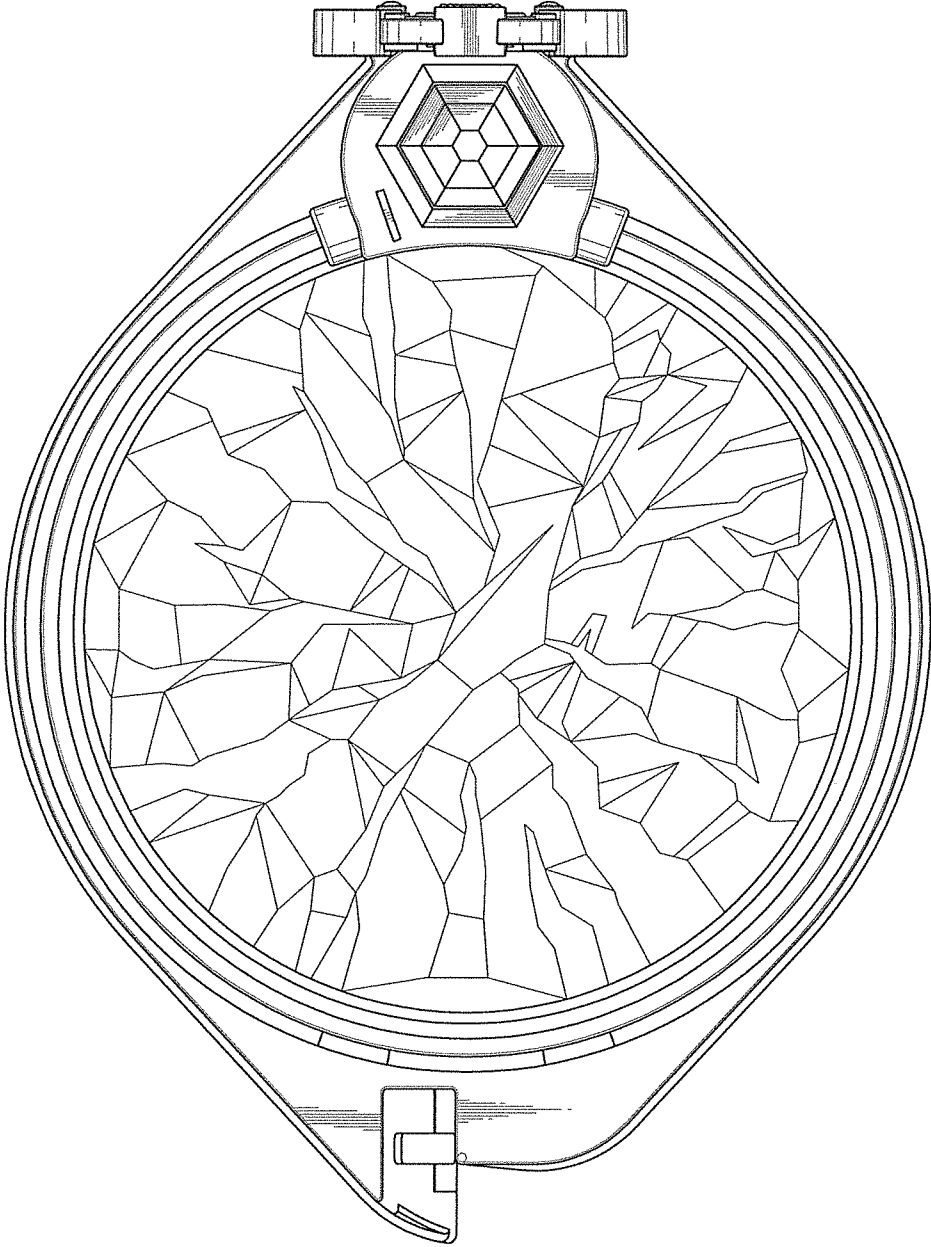


FIG. 11

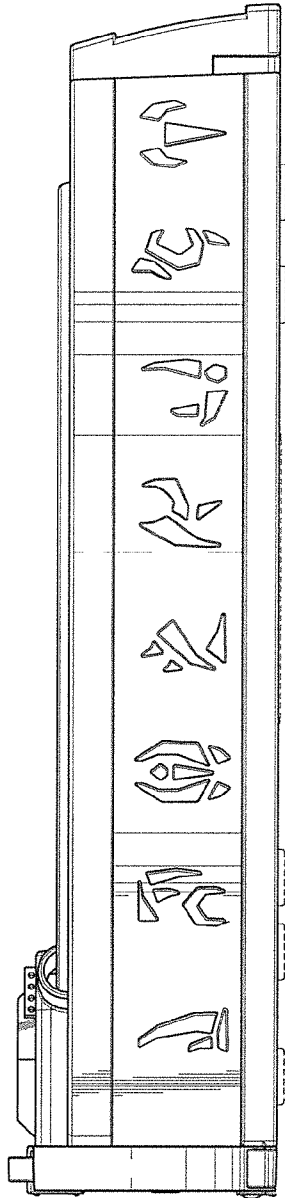


FIG. 12

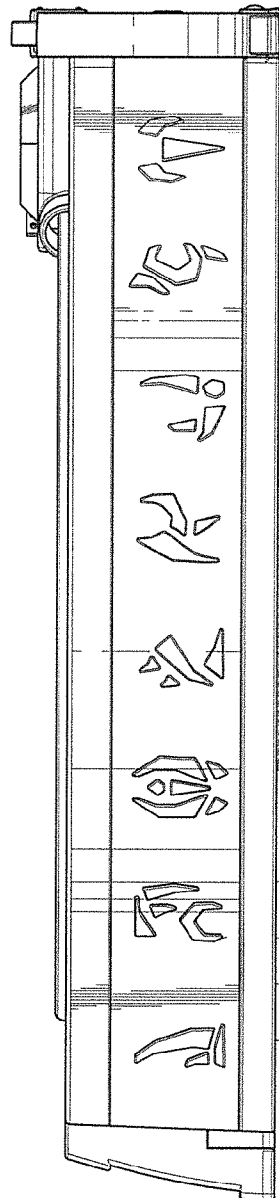


FIG. 13

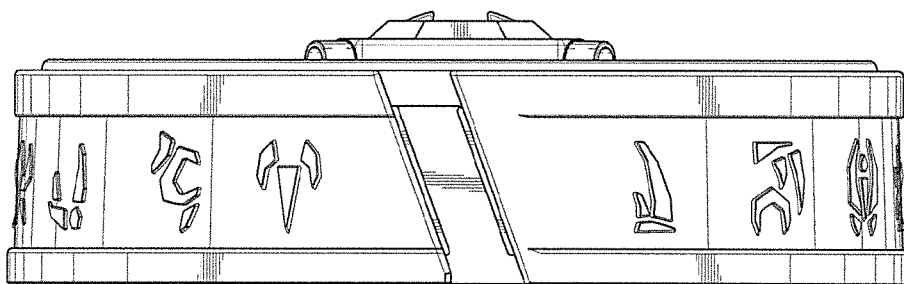


FIG. 14

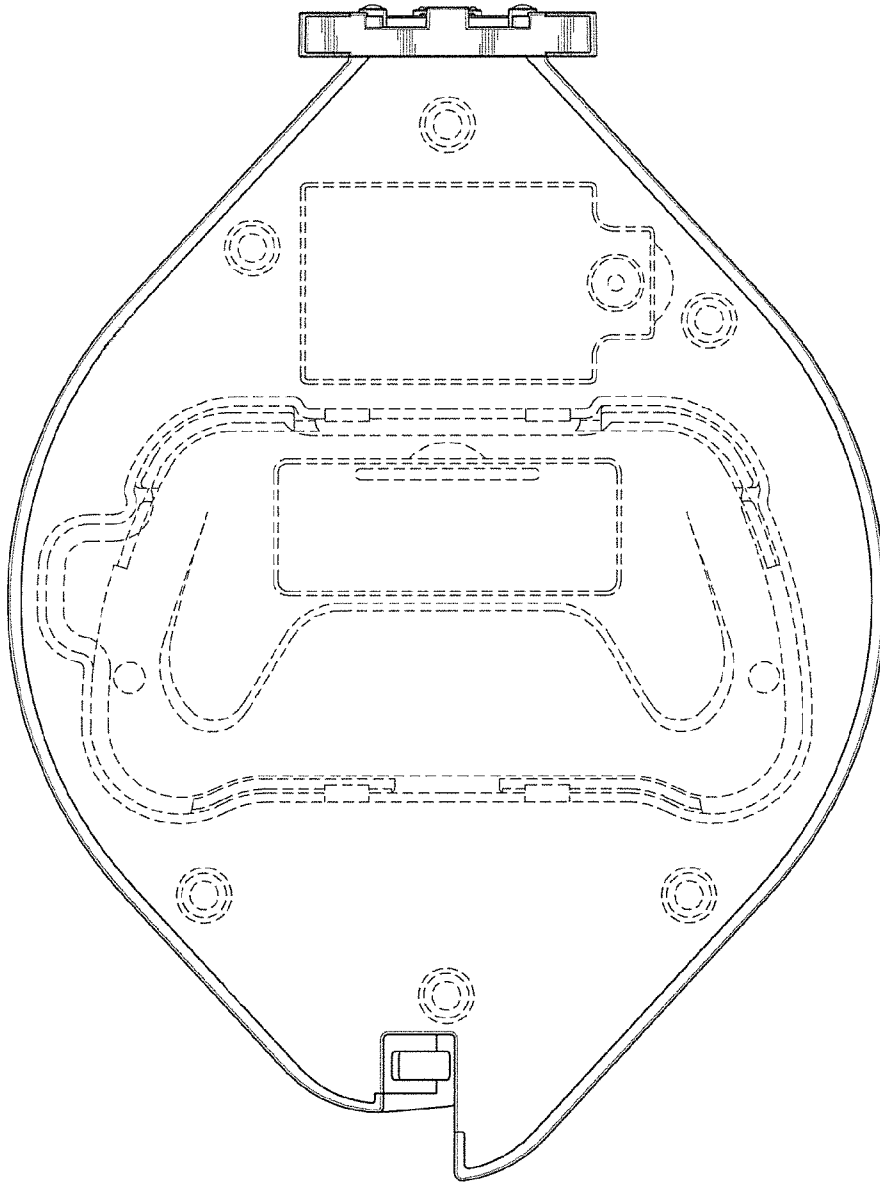


FIG. 15

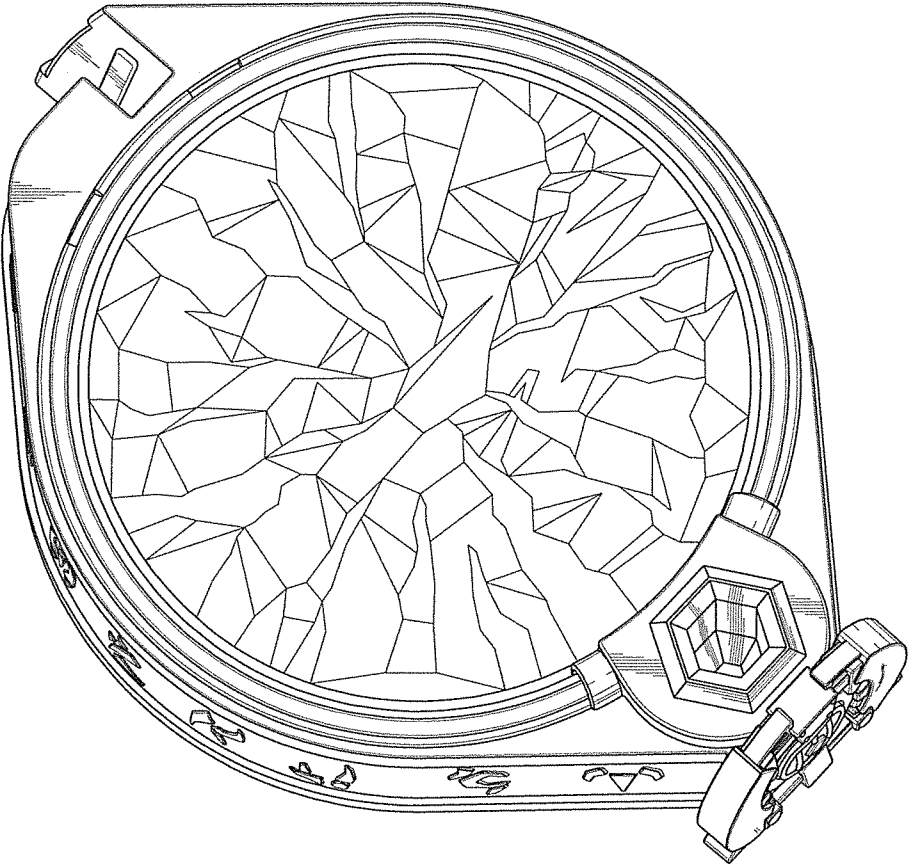


FIG. 16