



US00RE44515E

(19) **United States**  
(12) **Reissued Patent**  
**Ciungan et al.**

(10) **Patent Number:** **US RE44,515 E**  
(45) **Date of Reissued Patent:** **Oct. 8, 2013**

(54) **MOUNTING PLATE**

**DESCRIPTION**

- (75) Inventors: **Marcel Ciungan**, Arlington Heights, IL (US); **Dugan O’Keene**, Forest Park, IL (US)
- (73) Assignee: **Peerless Industries, Inc.**, Aurora, IL (US)
- (21) Appl. No.: **29/335,520**
- (22) Filed: **Apr. 16, 2009**

**Related U.S. Patent Documents**

Reissue of:

- (64) Patent No.: **Des. 558,562**
- Issued: **Jan. 1, 2008**
- Appl. No.: **29/264,330**
- Filed: **Aug. 8, 2006**

- (51) **LOC (9) Cl.** ..... **08-05**
- (52) **U.S. Cl.**
- USPC ..... **D8/363**; D14/452; D8/354
- (58) **Field of Classification Search**
- USPC ..... D8/349, 354, 363, 373; 248/274.1, 248/284.1, 278.1; D14/451-452
- See application file for complete search history.

(56) **References Cited**

**U.S. PATENT DOCUMENTS**

5,751,548 A 5/1998 Hall et al.  
(Continued)

**OTHER PUBLICATIONS**

“Installation and Assembly: Articulating LCD Wall Arm,” Installation Instructions. Peerless Industries, Inc., Issued May 18, 2005.

Primary Examiner — Phillip S Hyder

(74) Attorney, Agent, or Firm — Foley & Lardner LLP

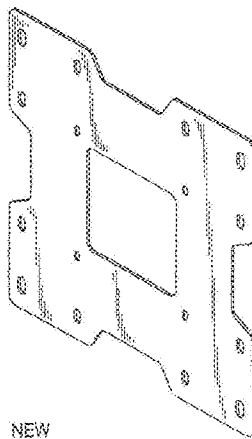
(57) **CLAIM**

We claim the ornamental design for a [articulating mount unit] *mounting plate*, as shown and described.

[FIG. 1 is a perspective view of the articulating mount unit showing our new design;]  
 [FIG. 2 is a left side view thereof;]  
 [FIG. 3 is a right side view thereof;]  
 [FIG. 4 is a front view thereof;]  
 [FIG. 5 is a rear view thereof;]  
 [FIG. 6 is a top plan view thereof;]  
 [FIG. 7 is a bottom view thereof;]  
 [FIG. 8 is a perspective view of another embodiment of the articulating mount unit showing our new design;]  
 [FIG. 9 is a left side view of the articulating mount unit in FIG. 8;]  
 [FIG. 10 is a right side view of the articulating mount unit in FIG. 8;]  
 [FIG. 11 is a front view of the articulating mount unit in FIG. 8;]  
 [FIG. 12 is rear view of the articulating mount unit in FIG. 8;]  
 [FIG. 13 is a top plan view of the articulating mount unit in FIG. 8; and,]  
 [FIG. 14 is a bottom view of the articulating mount unit in FIG. 8.]  
 [The broken lines in the drawings are for illustrative purposes only and form no part of the claimed design.]  
*FIG. 15 is a perspective view of a mounting plate showing our new design;*  
*FIG. 16 is a front view thereof;*  
*FIG. 17 is a right side view thereof;*  
*FIG. 18 is a left side view thereof;*  
*FIG. 19 is a top plan view thereof; and,*  
*FIG. 20 is a bottom view thereof.*

**1 Claim, 3 Drawing Sheets**

**Matter enclosed in heavy brackets [ ] appears in the original patent but forms no part of this reissue; matter printed in italics indicates the additions made by reissue.**



# US RE44,515 E

Page 2

(56)

## References Cited

### U.S. PATENT DOCUMENTS

6,095,467	A	8/2000	Neuhof				
D455,949	S	4/2002	Huang				
6,478,275	B1	11/2002	Huang				
D472,793	S *	4/2003	Callahan et al.	.....	D8/349		
6,554,238	B1	4/2003	Hibberd				
6,695,270	B1	2/2004	Smed				
D488,708	S	4/2004	Lam et al.				
D489,599	S	5/2004	Lam				
D496,367	S	9/2004	Pfister				
D503,858	S	4/2005	Ricci				
6,905,101	B1	6/2005	Dittmer				
D507,477	S	7/2005	Pfister				
7,028,961	B1	4/2006	Dittmer et al.				
D538,633	S *	3/2007	Ly Hau et al.	.....	D8/363		
D539,123	S *	3/2007	Ly Hau et al.	.....	D8/363		
D543,548	S *	5/2007	Muday et al.	.....	D14/452		
D558,560	S	1/2008	Ciungan				
D558,561	S	1/2008	Ciungan				
D558,563	S *	1/2008	Ciungan	.....	D8/363		
D558,564	S	1/2008	Ciungan				
D559,085	S	1/2008	Yu				
D559,087	S	1/2008	Ciungan				
D559,088	S	1/2008	Ciungan				
D560,674	S *	1/2008	Wohlford et al.	.....	D14/451		
2004/0245420	A1	12/2004	Pfister et al.				
2005/0263659	A1	12/2005	Pfister et al.				
2005/0263671	A1 *	12/2005	Lo	.....	248/917		

\* cited by examiner

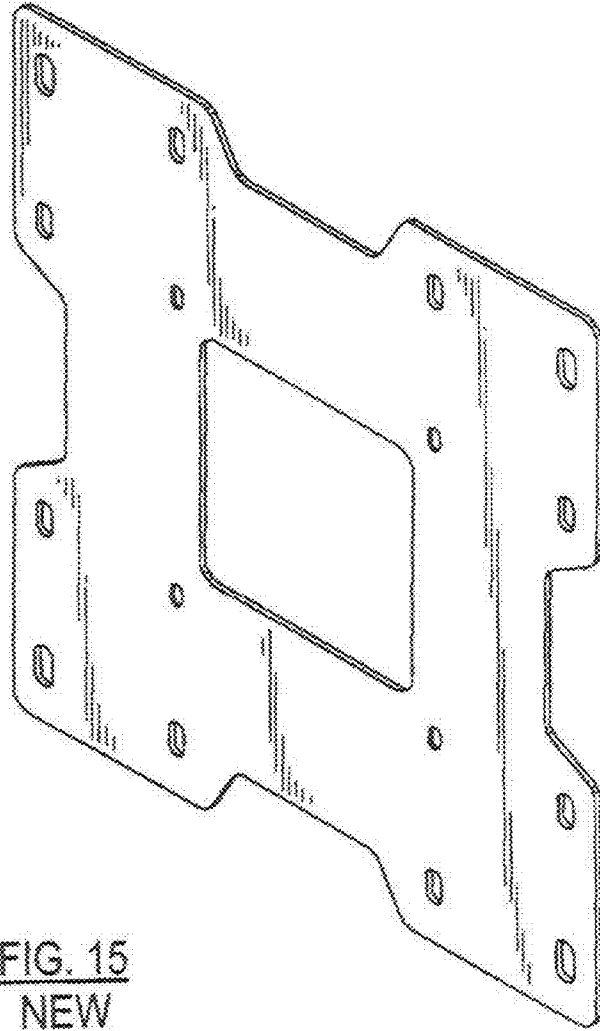


FIG. 15  
NEW

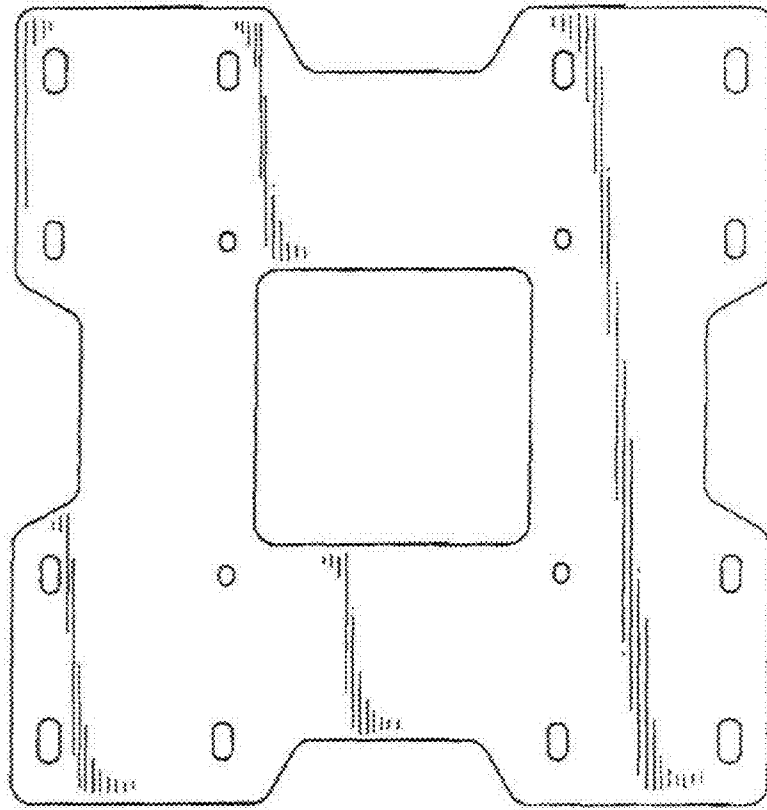


FIG. 16  
NEW

FIG. 17  
NEW



FIG. 18  
NEW



FIG. 19  
NEW



FIG. 20  
NEW