



US00D367411S

United States Patent [19]
Davey

[11] **Patent Number:** **Des. 367,411**
[45] **Date of Patent:** ****Feb. 27, 1996**

[54] **HOOK TOOL FOR SWIMMING POOL SKIMMER**

[76] Inventor: **Wayne C. Davey**, 4493 Rainbow Vista Dr., Fallbrook, Calif. 92028

[**] Term: **14 Years**

[21] Appl. No.: **34,343**

[22] Filed: **Feb. 2, 1995**

[52] U.S. Cl. **D8/14**

[58] Field of Search D8/14; 81/488, 81/460; 294/19.1

[56] **References Cited**

U.S. PATENT DOCUMENTS

D. 216,946	3/1970	Khan	D8/14
1,223,791	4/1917	Jackson	294/19.1
3,868,136	2/1975	Schweitzer	294/19.1

Primary Examiner—Ted Shooman
Assistant Examiner—Richelle Shelton

Attorney, Agent, or Firm—John T. Matlago

[57] **CLAIM**

The ornamental design for a hook tool for swimming pool skimmer, as shown and described.

DESCRIPTION

FIG. 1 is a rear, right side perspective view of a hook tool for swimming pool skimmer showing my new design, shown fragmented for indeterminate length;

FIG. 2 is a left front perspective view thereof;

FIG. 3 is a left side elevational view thereof;

FIG. 4 is a rear elevational view thereof;

FIG. 5 is a top plan view thereof;

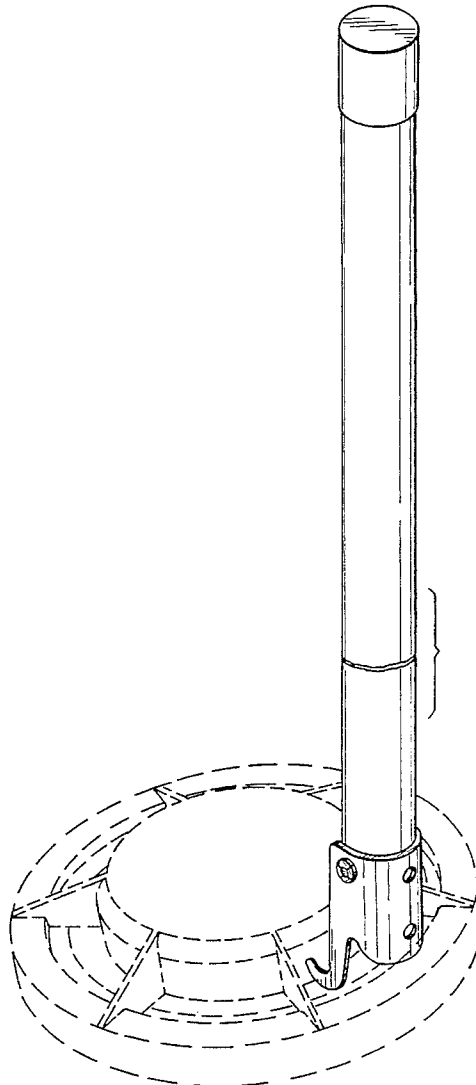
FIG. 6 is a right side elevational view thereof;

FIG. 7 is a front elevational view thereof; and,

FIG. 8 is a bottom plan view thereof.

The broken line illustration in the drawing disclosure forms no part of the claimed design.

1 Claim, 3 Drawing Sheets



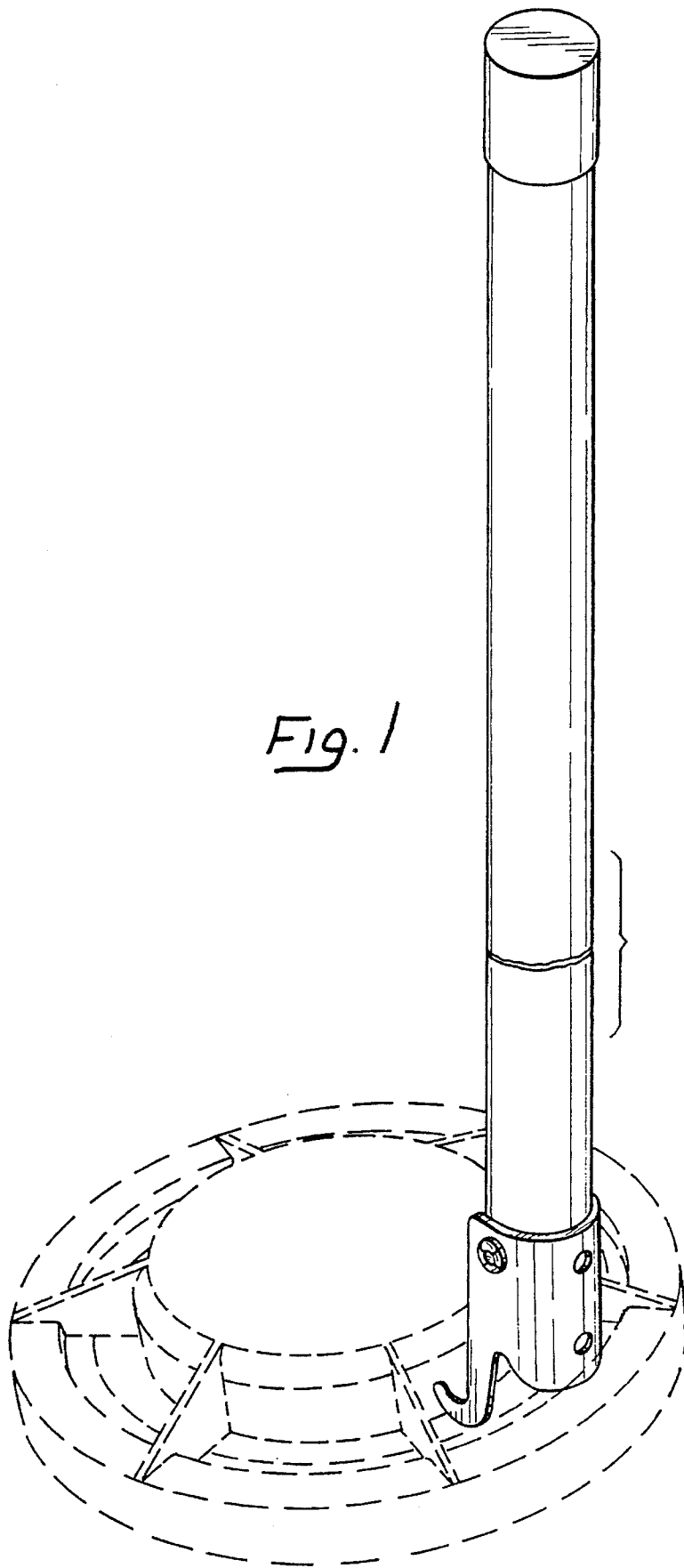


Fig. 1

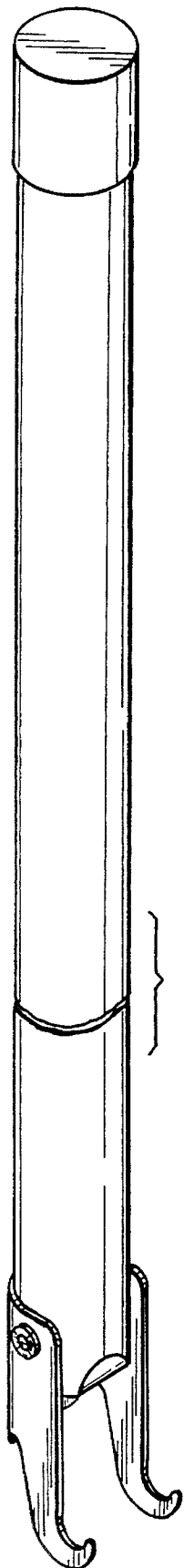


Fig. 2

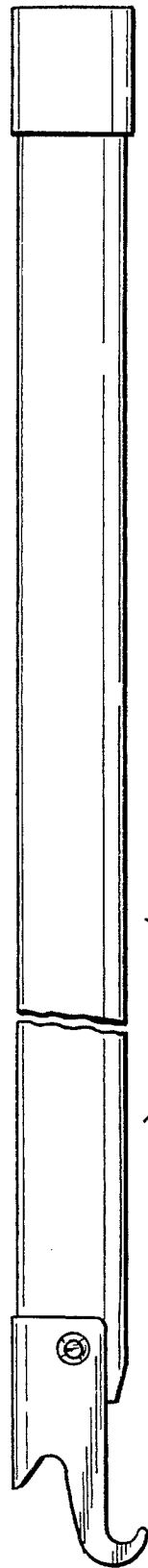


Fig. 3

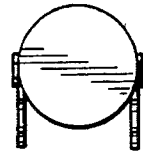


Fig. 5

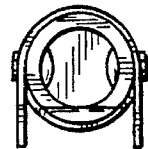


Fig. 8

Fig. 4

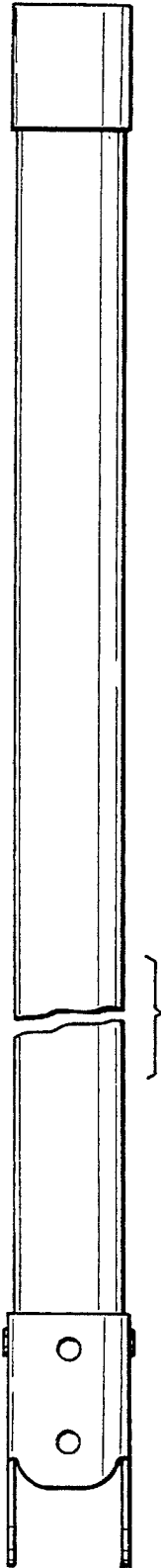


Fig. 6

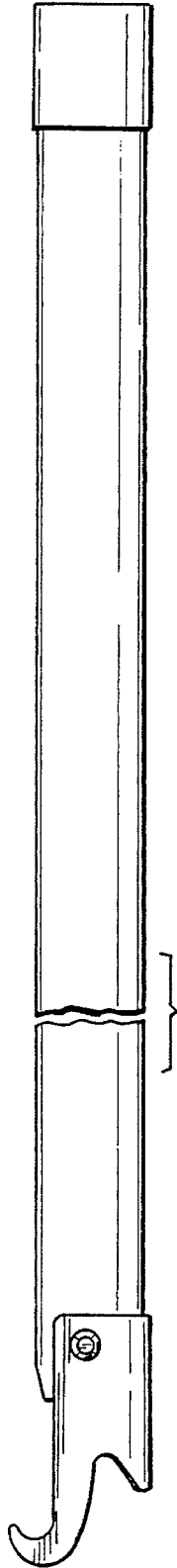


Fig. 7

